

Technical data sheet Single push-fit clip

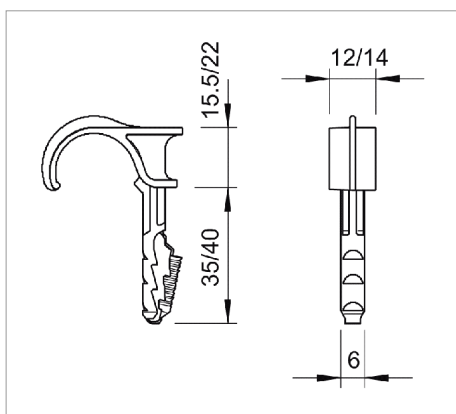


These push-fit clips are used when installing cables and pipes on walls and ceilings and when running flexible pipes on concrete and in the screed. The single push-fit clips can be used instead of nail clips in concrete and aerated concrete. The advantage of the push-fit clips is that they only have to be pushed into the drilled hole. Anchors and bolts are not needed.


Type	Clamping range D mm	Bore hole diameter mm	Bore hole depth mm	Colour	Box quantity	Pack. pcs	Weight kg/100 pcs.	Art-No.
1974 16-23	16	6	40	Light grey; RAL 7035	1200	100	0.260	2197804
1974 22-30	22	6	40	Light grey; RAL 7035	1200	100	0.440	2197812

PA Polyamide

E /100 pc.



Legend

 Communautés Européennes, EC declaration of conformity according to EC directives



Halogen-free; without chlorine, fluorine and bromine