

MASSO 4010



Floor level – Indoor use
 MASSO 4010.2 on request

Micro subfloor distributor
(Leveling feet optionally available)

Application

Outdoor use

Technical data

Outer dimensions (L x W x H)	170x170x190 mm
Installation height with leveling feet	190 mm
Installation height with threaded pin extension	190* - 290 mm
Material	aluminium untreated (salt and seawater resistant)
Color	alu colored anodized
Maximum static load according to EN 50085	40kN

Features

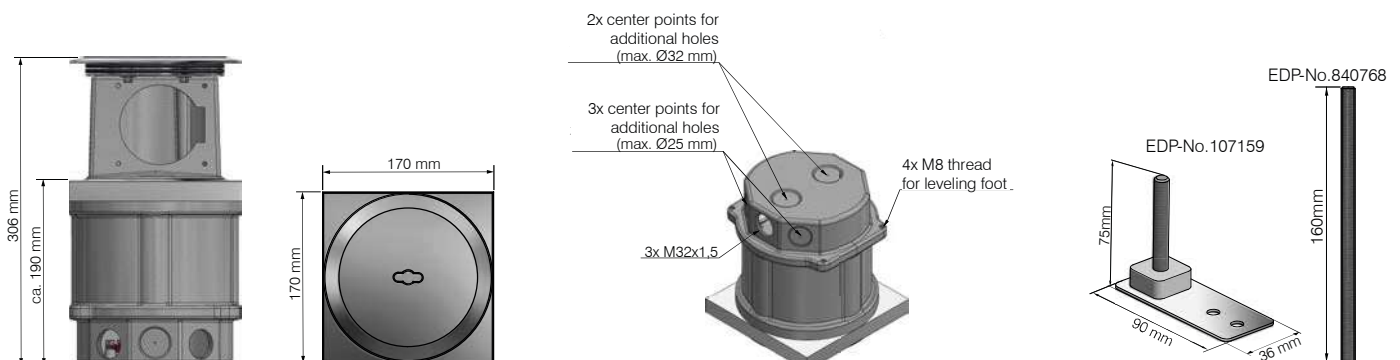
- Nearly micro subfloor distributor to be installed at floor level
- Equipment: see article numbers
- When closed:
 - IP67
 - can be travelled over
- When opened:
 - up to IP54 (depending on the equipment variant)
 - step-resistant

EDP No.	Product-ID-No. / Description
840931	MASSO.4010-2EG.301659 / Micro subfloor distributor, 170x170x190 mm, alu colored anodized , closed IP67, 1xCEE 400V 16A
840932	MASSO.4010-2EG.303259 / Micro subfloor distributor, 170x170x190 mm, alu colored anodized , closed IP67, 1xCEE 400V 32A

Accessories		Installation height
107159	FONTO.MASSO.NIVELLIERSCRAUBE. SENKVERTEILER / Leveling screw: consisting of: 1x base plate + 1x leveling pin M8x60	190 mm
Option		
840768	M8.160.A2.DIN976-1 / Threaded rod M8 x 160 mm suitable for base plate 107159	190* - 290 mm

Other equipment options on request.

* Shorten the setscrew as required



Leveling feet are only used to set up the floor socket. Loading class / stability is only achieved by backfilling the floor socket with solid material (mortar, concrete ...).

CE