

IP DES - Guard station

375000

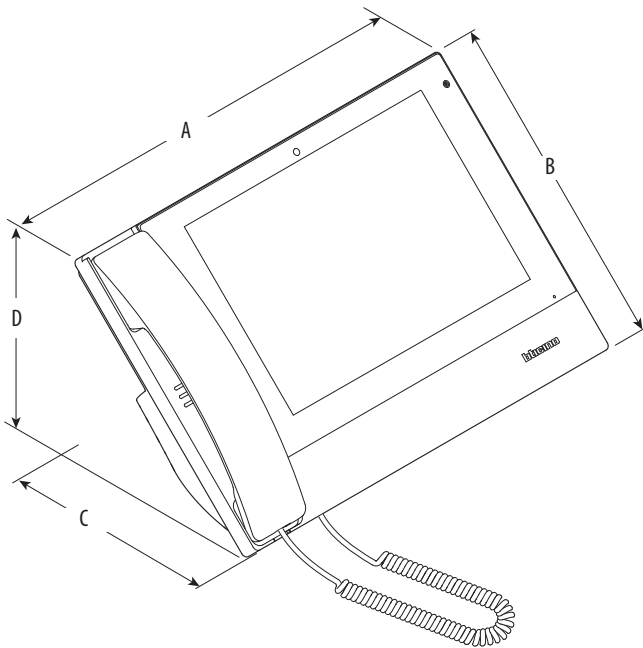
Description

Guard station with 10" touch display and handset. From the touch display, it is possible to: answer and forward calls, view call logs, release the locks, monitor IP cameras installed in common areas, monitor and process alarms. From the setting menu, it is possible to adjust the guard station settings, like volume and display brightness, and carry out functionality and network tests. Quick and Scheduled absence can be activated to transfer the call to another guard station or to apartments if needed. The guard station can be PoE (power over Ethernet) or directly powered with power supply 375005.

Technical data

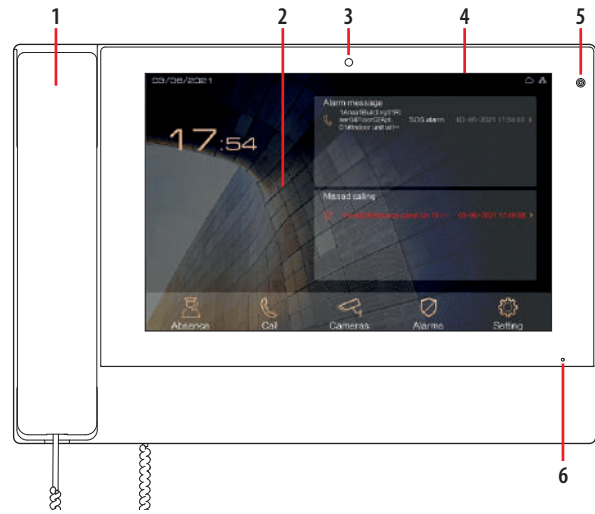
Voltage: 24 Vdc
 Maximum consumption: 0.45 A
 Max. cable section: 1.3 mm²
 Operating temperature: (- 10) – (+ 55) °C
 IP degree of protection: IP30
 Maximum relative humidity: 93%

Dimensional data

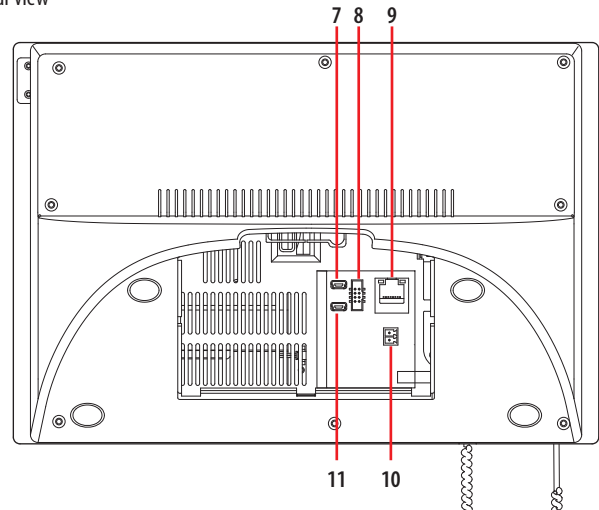


A	B	C	D
308 mm	211 mm	170 mm	165 mm

Front view



Rear view



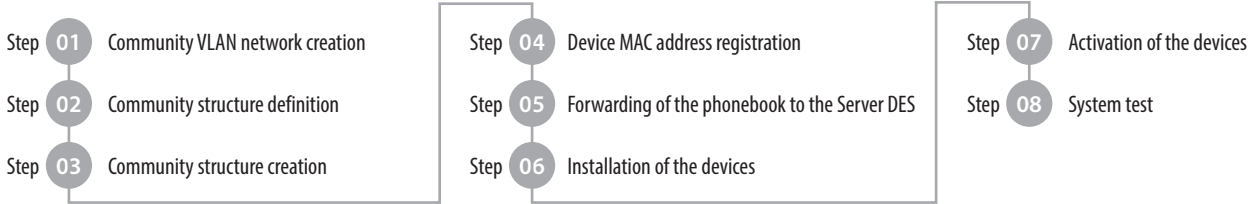
Legend

1. Handset
2. Home Page
3. Camera
4. Display 10" (touch screen)
5. Microphone
6. Notification LED
 Red led: alarm not processed
 Blue led: missed call
 Purple LED: unprocessed alarm + missed call
7. USB 1 connector (not used)
8. Not used
9. RJ45 (*) connector
10. Additional power supply clamps (not polarized)
11. USB 2 connector (not used)

(*) This device does not support standard POE power supplies, but only POE power supplies identified with item no. 375002. Connect the cat5/5e/6 FTP or cat5/5e/6 UTP cable with ferrite supplied to the connector.

Configuration

To use the device, it is necessary to configure it and create the Community structure using the DES Server software, following the steps below:



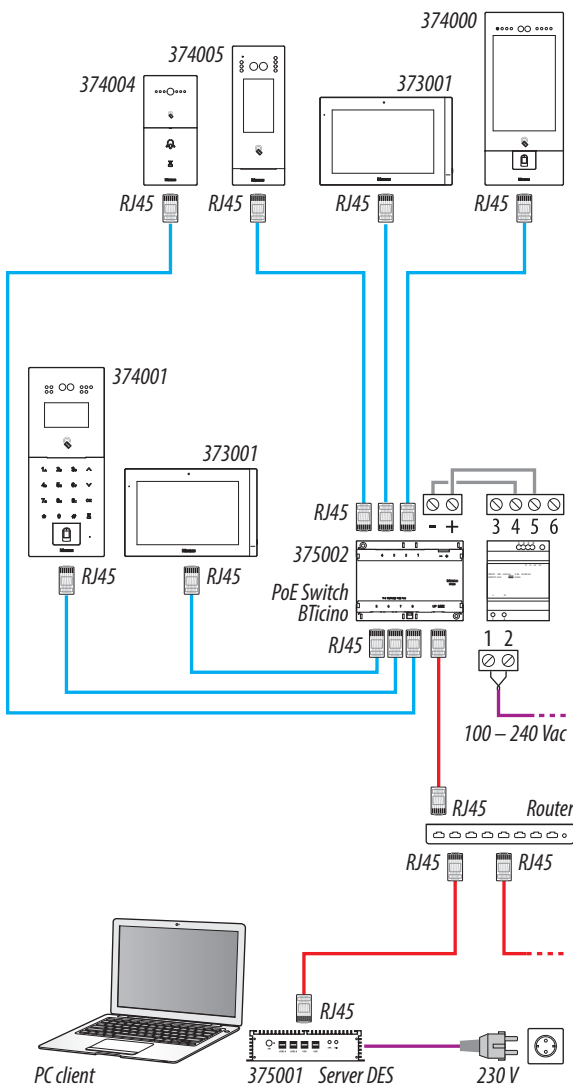
For further information, please refer to the Server DES Software Manual, available for download from www.homesystems-legrandgroup.com website.

Wiring diagrams

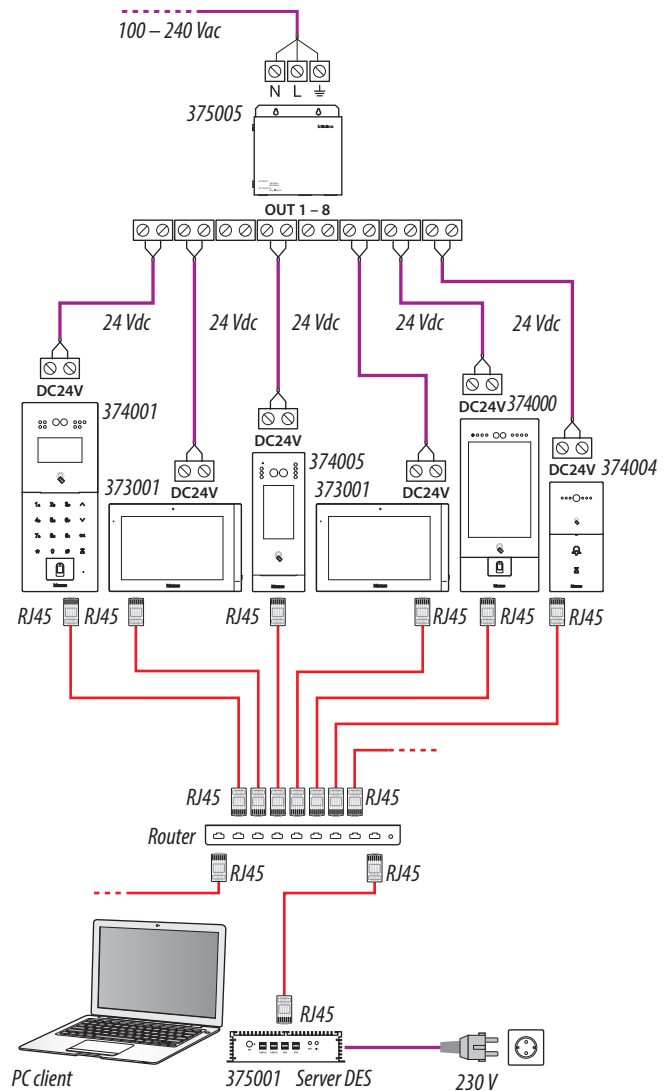
CABLES LEGEND	LAN PoE BTicino	LAN Ethernet	Copper cables	2 x Copper cables
---------------	-----------------	--------------	---------------	-------------------

It is possible to use two different types of connection according to installation situation:

A - Diagram with power supply by BTicino PoE Switch



B - Diagram with local power supply

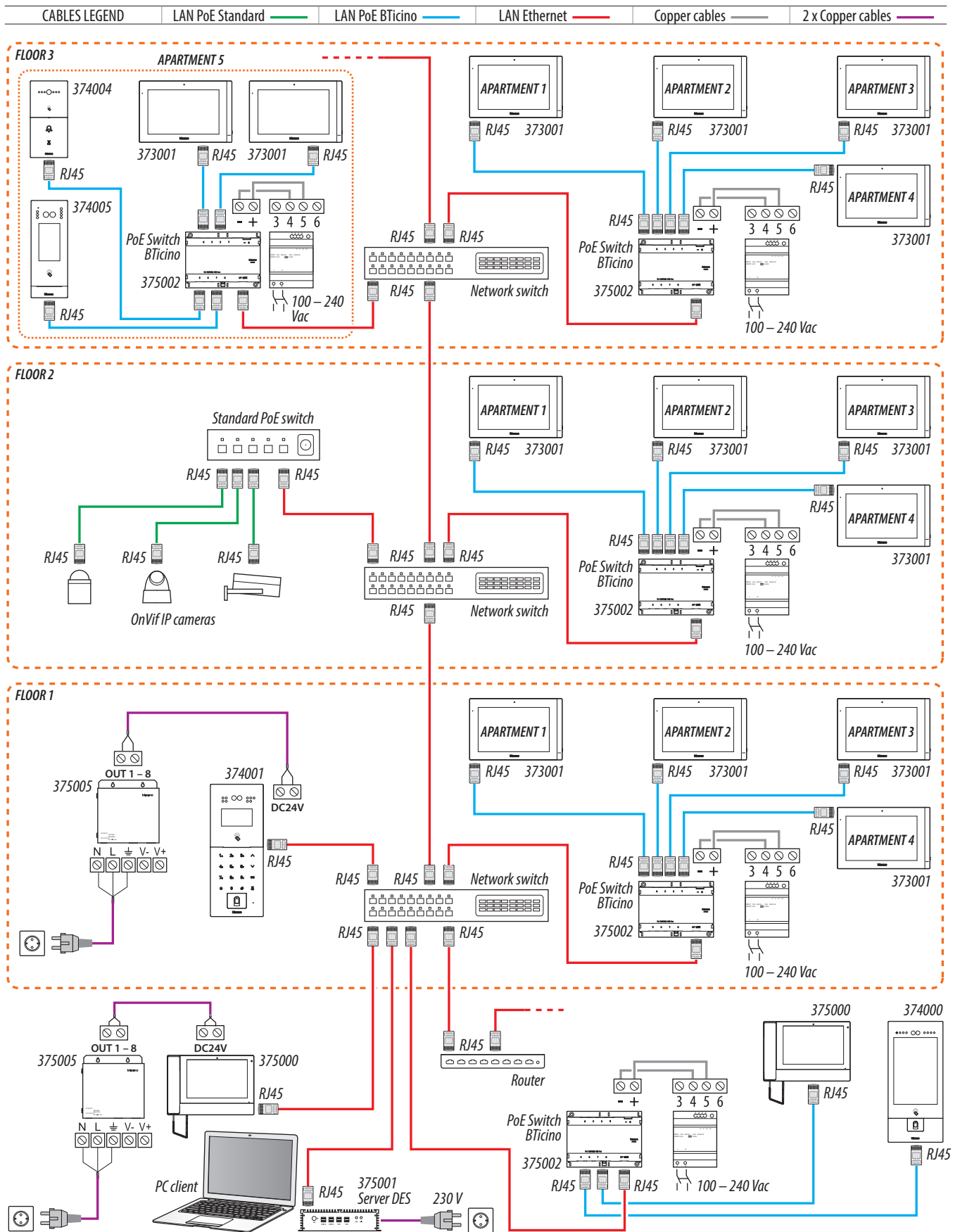


Attention: this device does not support standard POE power supplies, but only POE power supplies identified with 375002. Connect the cat5/5e/6 FTP or cat5/5e/6 UTP cable with ferrite supplied to the connector.

Attention: do not directly connect PoE ports to an unsuitable network interface, such as a device powered by a different voltage. Connect the UP LINK port to a suitable port, never to a PoE port.

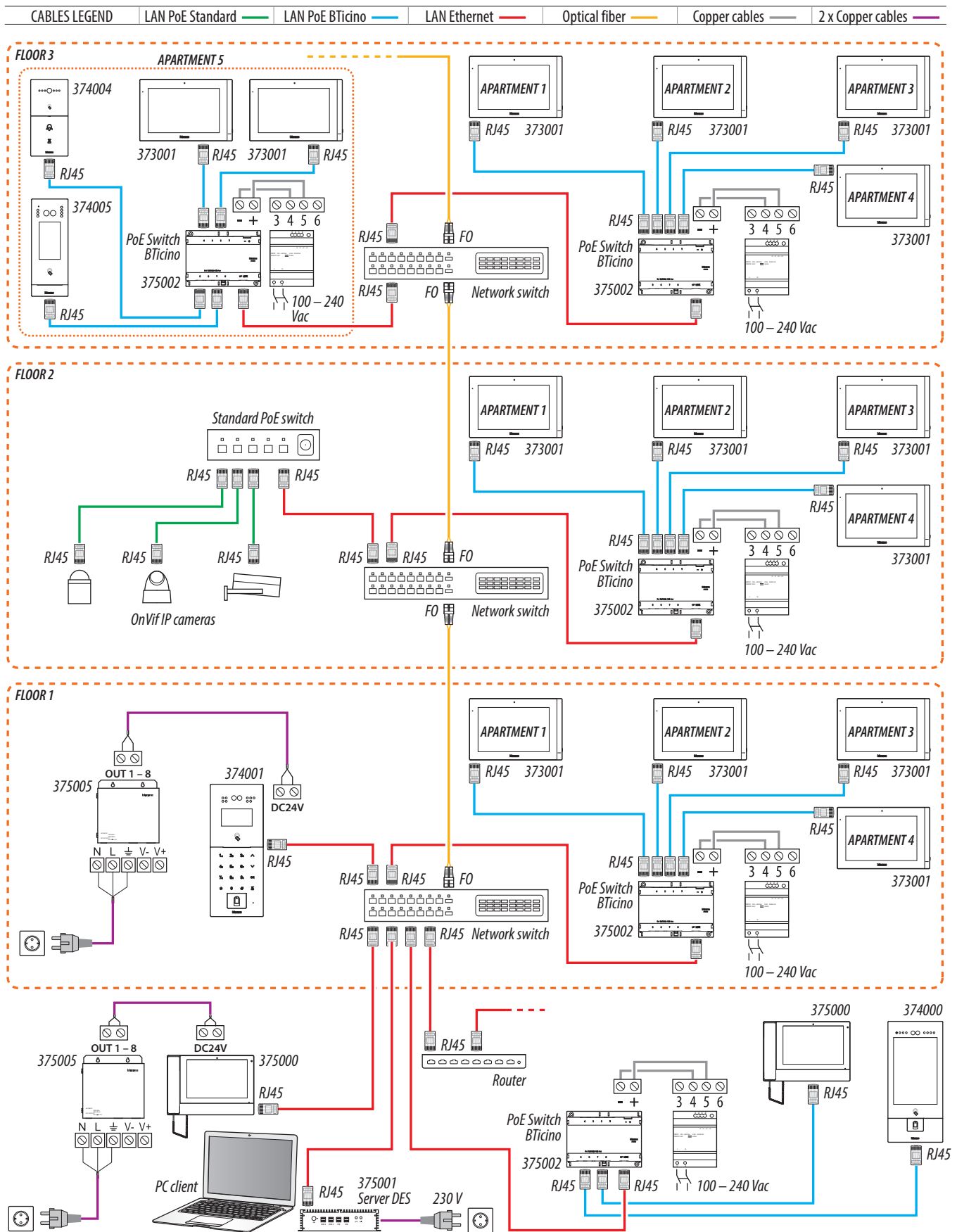
Note: maximum length of every LAN permanent link line = 90 m.

Ethernet connection



Attention: do not directly connect PoE ports to an unsuitable network interface, such as a device powered by a different voltage. Connect the UP LINK port to a suitable port, never to a PoE port.
Note: to connect the devices it is possible to use both types of wiring (diagram A or diagram B) or even mixed ones.

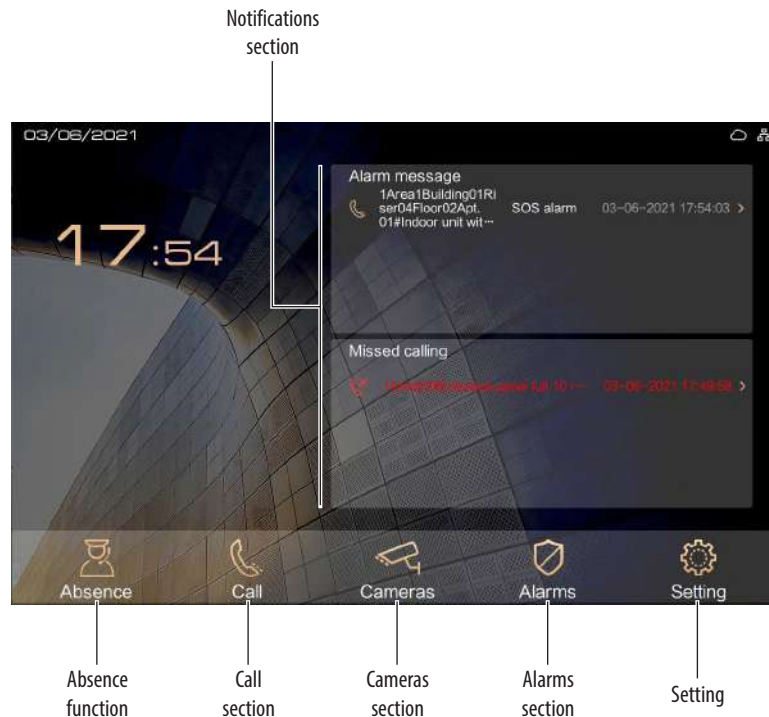
Fiber optic riser connection (case of higher bandwidth demand)



Attention: do not directly connect PoE ports to an unsuitable network interface, such as a device powered by a different voltage. Connect the UP LINK port to a suitable port, never to a PoE port.
Note: to connect the devices it is possible to use both types of wiring (diagram A or diagram B) or even mixed ones.

Main functions

From the Home Page of the device, it is possible to access the main functions, as described below:



Absence function

This section can be used to set the transfer of incoming calls to another GS or to the called IU. The transfer can be enabled momentarily or by programming the absence.

Call section

In this section it is possible to communicate with other IU or other GS. Depending on how the community has been configured using the DES Server software, calls can be made in different ways:

- Call using the system address
- Call using the Alias (alphanumeric code)
- Call using the Phonebook.

Cameras section

In this section it is possible to view the EPs and the IP public cameras of the Community. It is also possible to view the monitoring log.

Alarms section

In this section it is possible to manage alarms from IUs and EPs under responsibility. The alarms coming from the IU can be of different types, depending on the sensors connected to the device: SOS, Infrared, Activity check, Smoke, Door contact, Active, Gas and Others. Alarms from EPs can be of two types: Tamper alarm and Panic alarm. Alarm management allows the operator to view the alarm, take charge of it and manage it. It is also possible to view the alarm history, with the various stages of management highlighted.

Integrated camera

The integrated camera allow to perform video call between apartments and other guard station.