

**IP DES - Video entrance panel
with 10" touch display**

374002

Description

Video entrance panel with 10" touch display and badge reader for access control functions. From the touch display, it is possible to make calls to the apartments and the guard station and enter the access code to release the lock. Configuration of different calling modes:

- Apartment code (Area - Building - Riser - Floor - Apartment)
- Numeric or alphanumeric codes for residents
- Address book with contact list

Enter the settings menu with a specific code for maintenance and for managing the settings (e.g. backlight brightness, ring volume, speaker volume, touch volume, screensaver time). Possibility to upload customized screensavers and advertisements using the configuration software. The entrance panel can be PoE (power over Ethernet) powered, or directly powered using power supply 375005. Flush mounted installation using the dedicated box 375007.

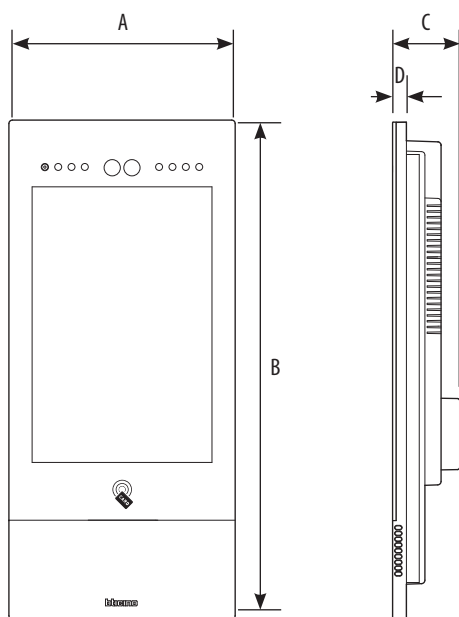
Related items

375007 Metal box for flush-mounting installation

Technical data

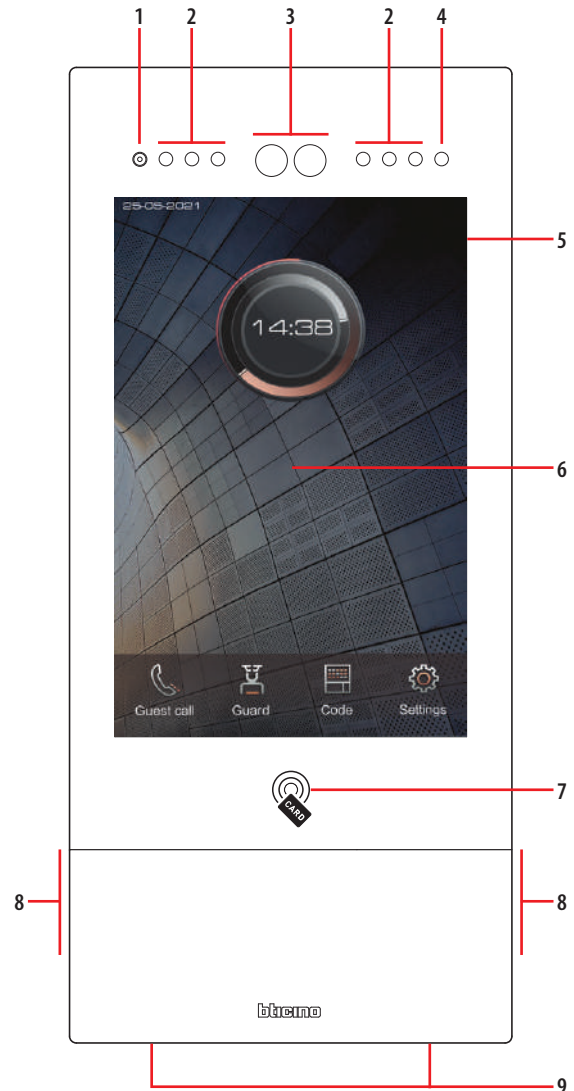
Voltage:	24 Vdc
Maximum consumption:	0.65 A
C NC NO contact output:	125 Vac/0.5A, 30Vdc/2A
Max. cable section for clamps:	0.8 mm ²
Operating temperature:	(- 40) – (+ 70) °C
IP degree of protection:	54
IK degree of protection:	07
Camera resolution:	1080 p
Camera viewing field angle:	H= 80°; V= 53°
Badge reader Frequency:	13.56 MHz
Badge reader transmission power:	< 42 dBuA/m @ 10m

Dimensional data



A	B	C	D
195 mm	430 mm	58 mm	12 mm

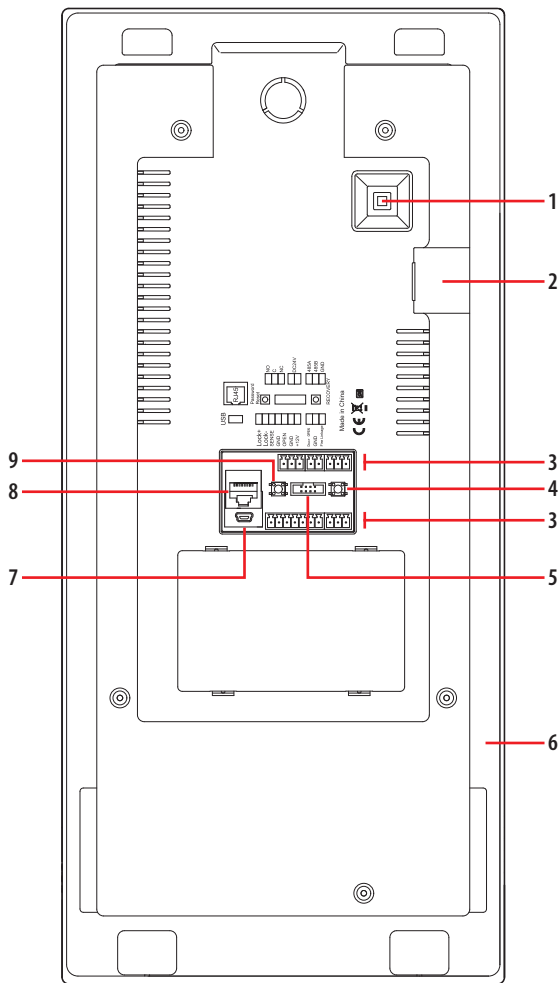
Front view



Legend

1. Microphone
2. LED for the shooting field lighting
3. Camera
4. Light sensor
5. Display 10" (touch screen)
6. Home Page
7. Badge reader for door lock opening
8. Loudspeaker
9. Locking screws

Rear view

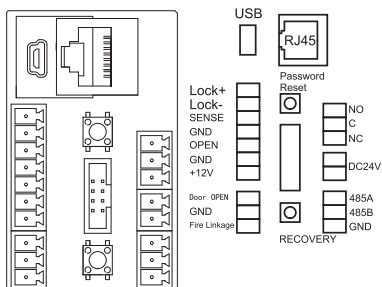


Legend

- 1. Tamper switch
- 2. SD card
- 3. Connection clamp
- 4. Not used
- 5. Not used
- 6. Mounting bracket
- 7. USB Connector (not used)
- 8. RJ45 Connector (*)
- 9. Reset setting password and local access code

(*) This device does not support standard POE power supplies, but only POE power supplies identified with item no. 375002.

Connect the cat5/5e/6 FTP or cat5/5e/6 UTP cable with ferrite supplied to the connector



Connection clamps

LOCK+	electric door lock connection and control
LOCK-	(12V - 4A impulsive on 3 Ohm maximum)
SENSE	door status signal input (dry contact)
GND	system common ground terminal for third party connection
OPEN	third party access control signal input for door lock opening (+12Vdc pulse)
GND	access control devices power supply
+12V	
Door OPEN – GND	local door lock release pushbutton connection
FIRE Linkage – GND	local door lock release pushbutton connection for firealarm system
NO	
C	interlocked contact
NC	
DC24V	additional power supply clamps (not polarized)
RS485A	Lift Control terminal A
RS485B	
GND	system common ground terminal for RS485 connection

Configuration

To use the device, it is necessary to configure it and create the Community structure using the DES Server software, following the steps below:

- Step 01 Community VLAN network creation
- Step 02 Community structure definition
- Step 03 Community structure creation
- Step 04 Device MAC address registration
- Step 05 Forwarding of the phonebook to the Server DES
- Step 06 Installation of the devices
- Step 07 Activation of the devices
- Step 08 System test

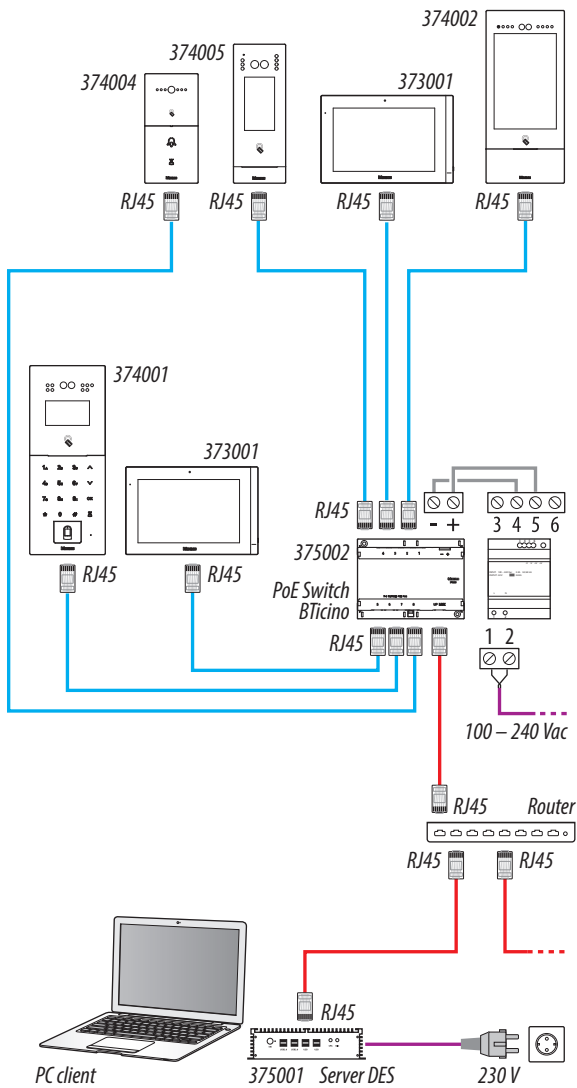
For further information, please refer to the Server DES Software Manual, available for download from www.homesystems-legrandgroup.com website.

Wiring diagrams

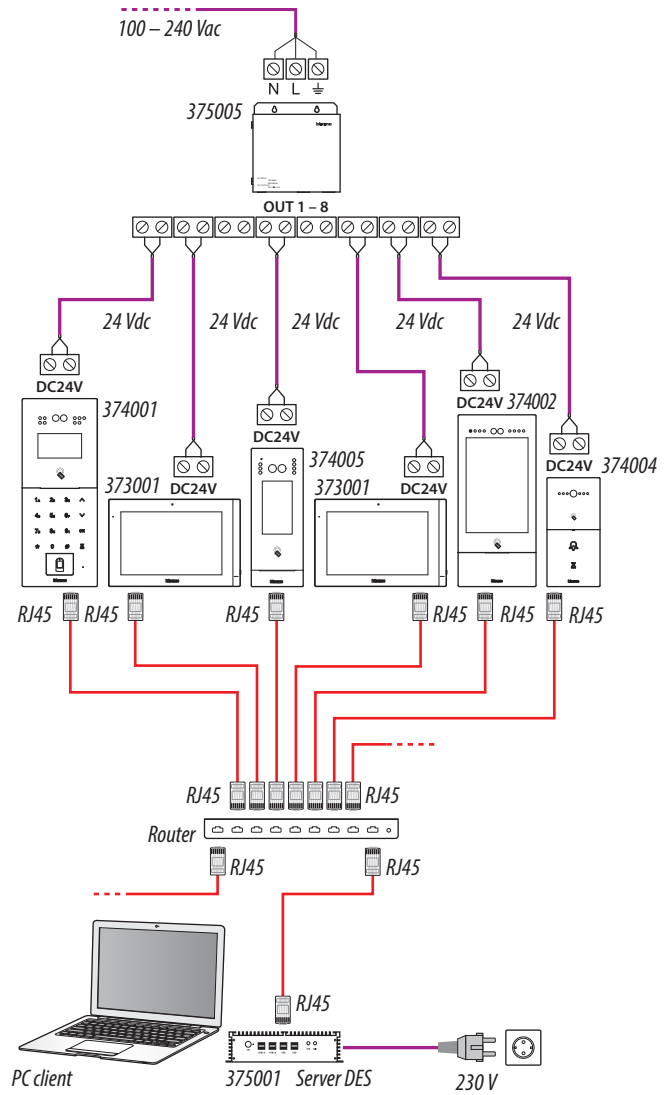
CABLES LEGEND	LAN PoE BTicino	LAN Ethernet	Copper cables	2 x Copper cables
---------------	-----------------	--------------	---------------	-------------------

It is possible to use two different types of connection according to installation situation:

A - Diagram with power supply by BTicino PoE Switch



B - Diagram with local power supply



Attention: this device does not support standard POE power supplies, but only POE power supplies identified with 375002. Connect the cat5/5e/6 FTP or cat5/5e/6 UTP cable with ferrite supplied to the connector.

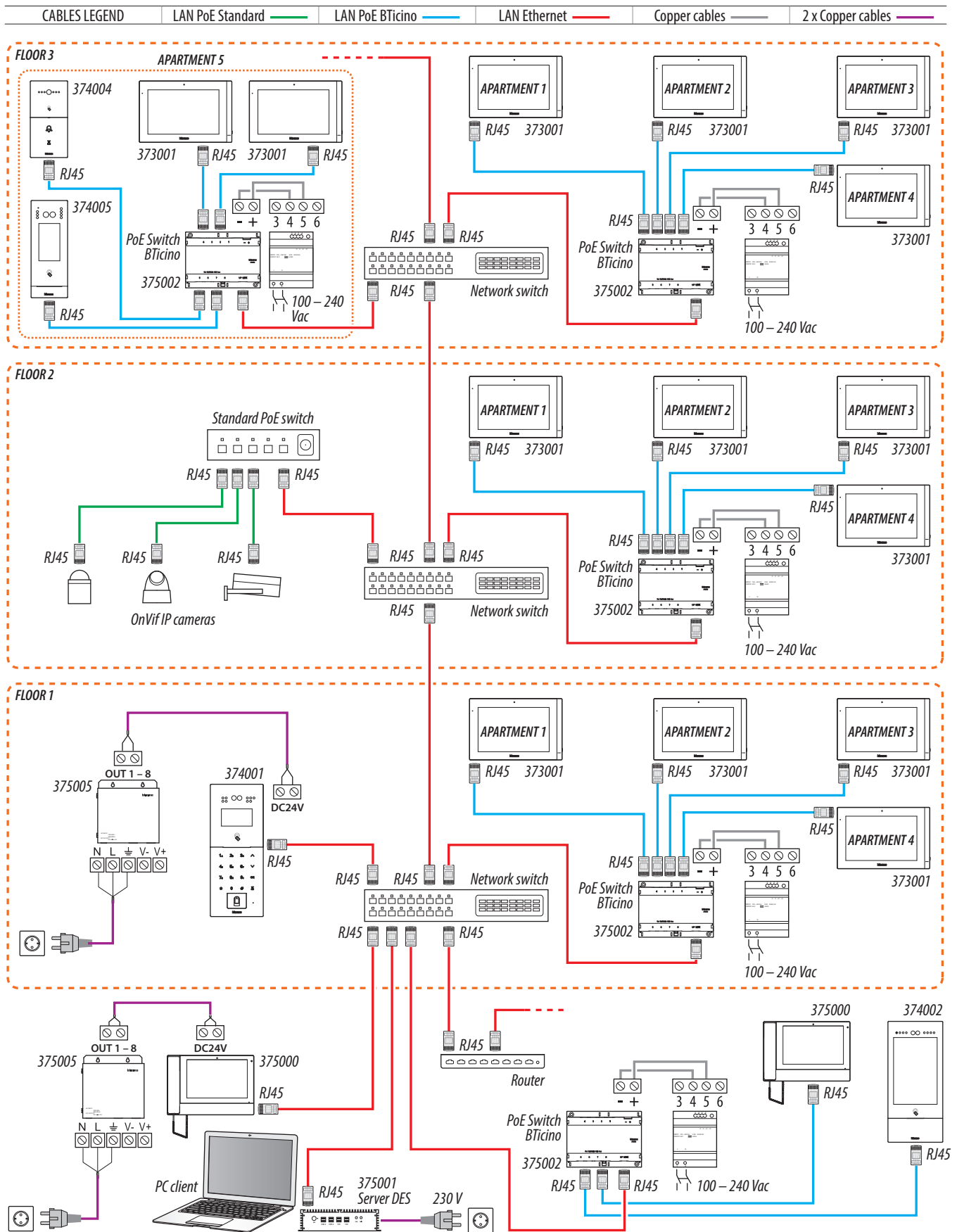
Attention: do not directly connect PoE ports to an unsuitable network interface, such as a device powered by a different voltage. Connect the UP LINK port to a suitable port, never to a PoE port.

Note: maximum length of every LAN permanent link line = 90 m.

IP DES - Video entrance panel with 10" touch display

374002

Ethernet connection

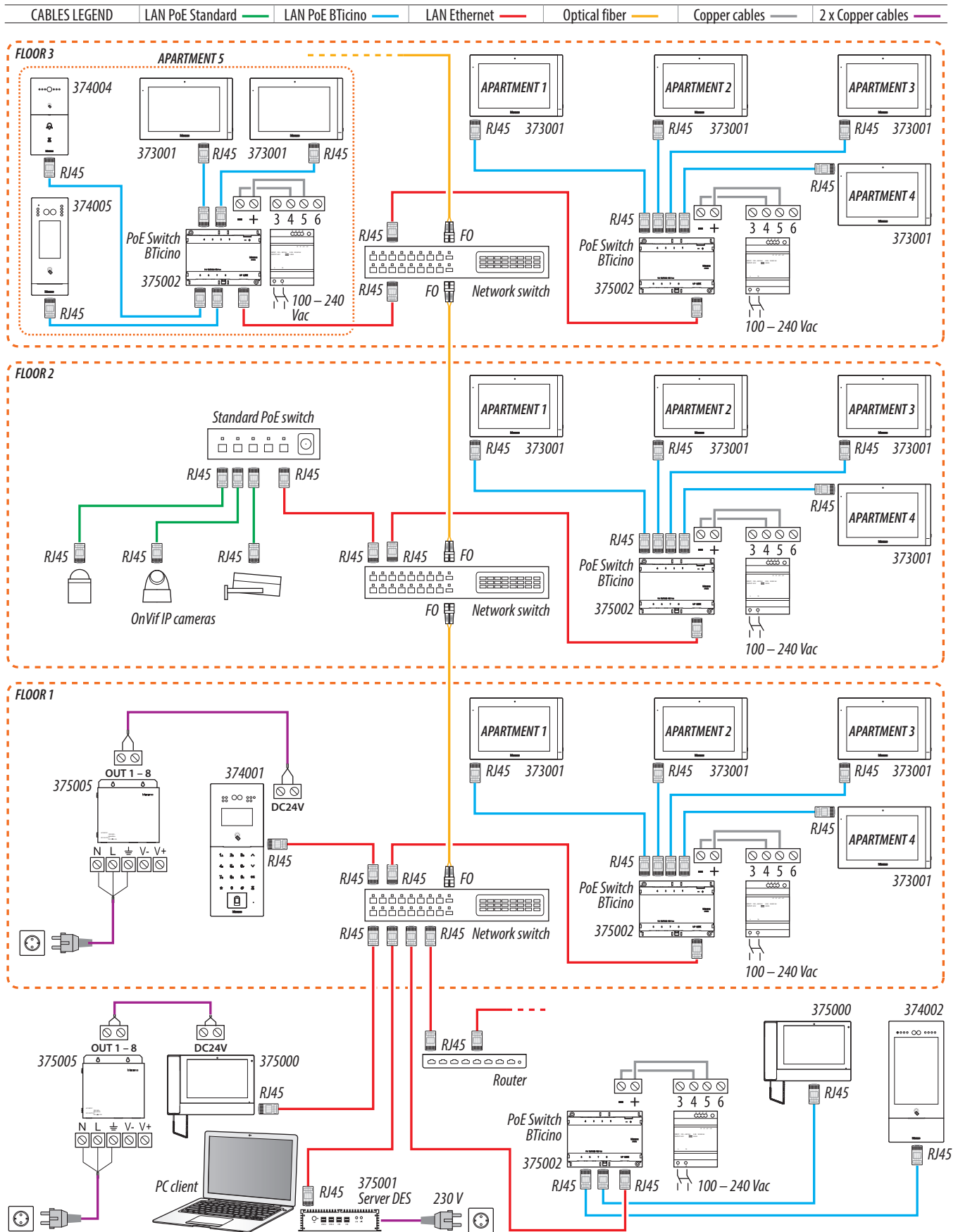


Attention: do not directly connect PoE ports to an unsuitable network interface, such as a device powered by a different voltage. Connect the UP LINK port to a suitable port, never to a PoE port.
Note: to connect the devices it is possible to use both types of wiring (diagram A or diagram B) or even mixed ones.

IP DES - Video entrance panel with 10" touch display

374002

Fiber optic riser connection (case of higher bandwidth demand)



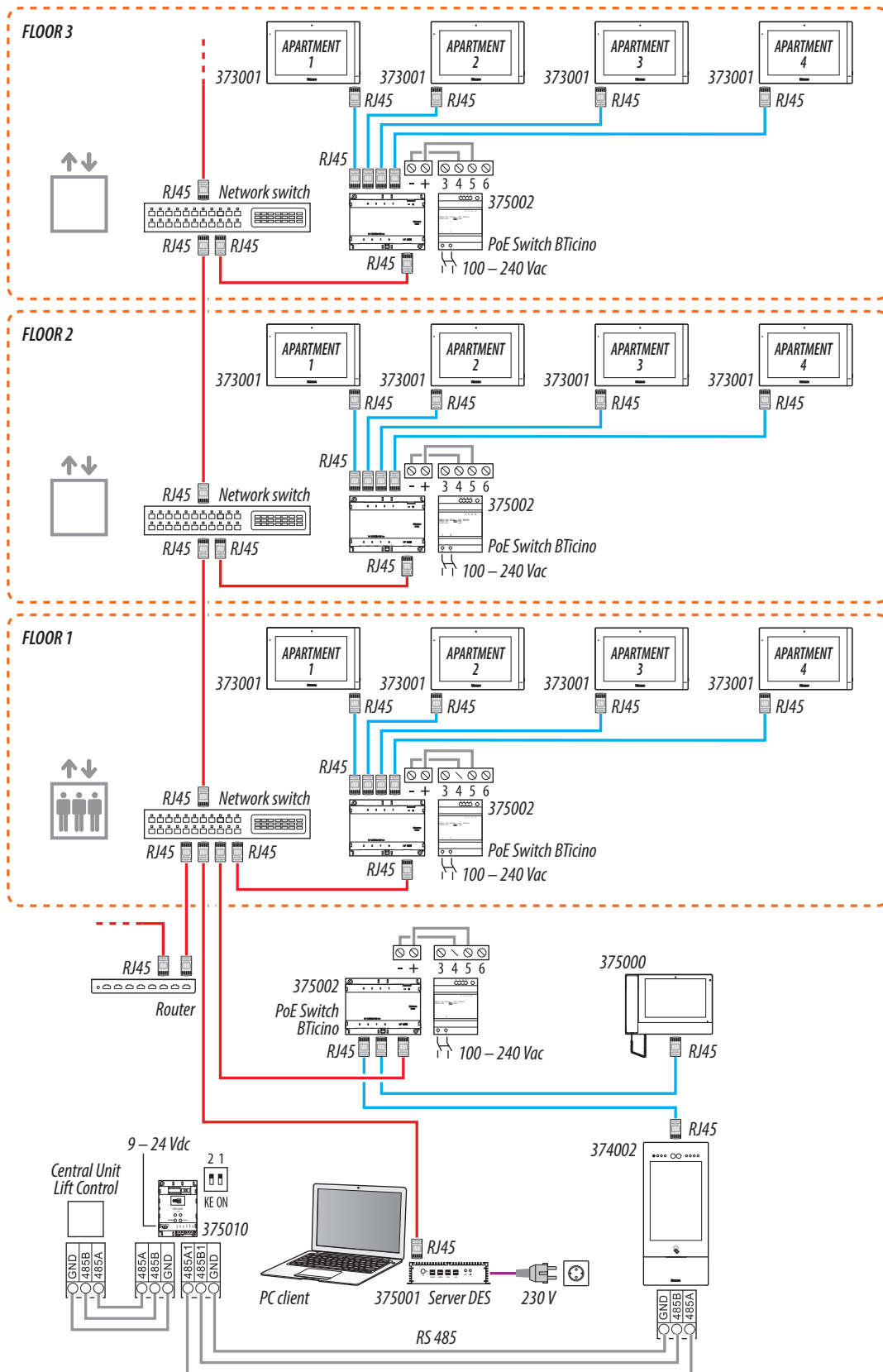
Attention: do not directly connect PoE ports to an unsuitable network interface, such as a device powered by a different voltage. Connect the UP LINK port to a suitable port, never to a PoE port.
Note: to connect the devices it is possible to use both types of wiring (diagram A or diagram B) or even mixed ones.

IP DES - Video entrance panel with 10" touch display

374002

Lift control 1 - Lift control, 1 riser, 1 entrance panel

CABLES LEGEND	LAN PoE BTicino	LAN Ethernet	Copper cables	2 x Copper cables

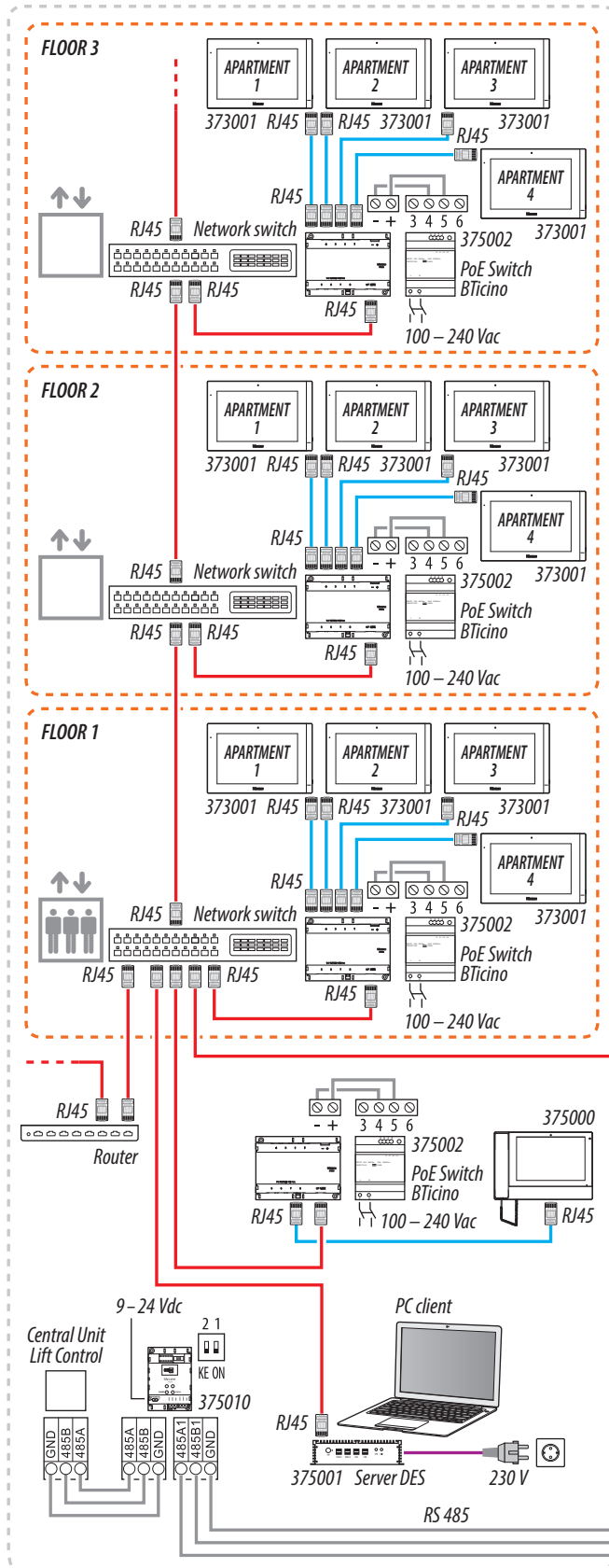


Attention: do not directly connect PoE ports to an unsuitable network interface, such as a device powered by a different voltage. Connect the UP LINK port to a suitable port, never to a PoE port.
Note: to connect the devices it is possible to use both types of wiring (diagram A or diagram B) or even mixed ones.

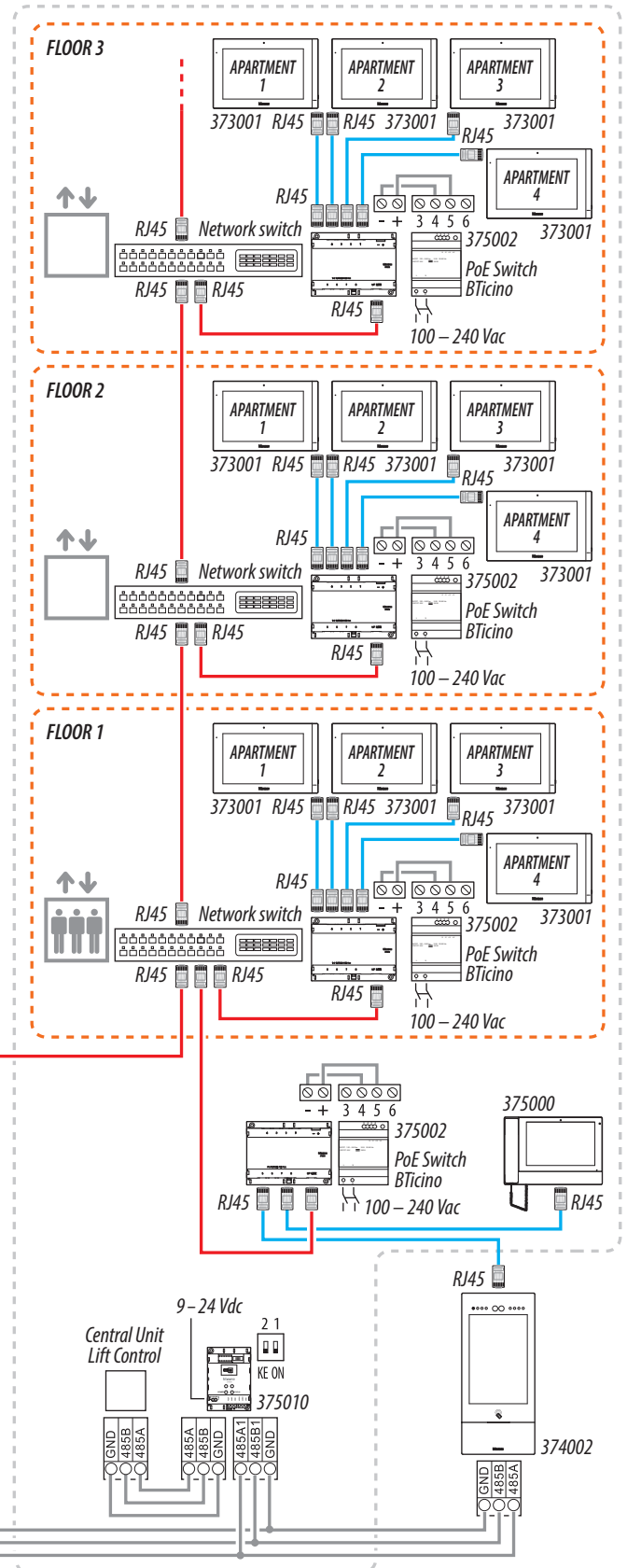
Lift control 2 - Lift control, multi riser, 1 entrance panel

CABLES LEGEND	LAN PoE BTicino	LAN Ethernet	Copper cables	2 x Copper cables

RISER 1



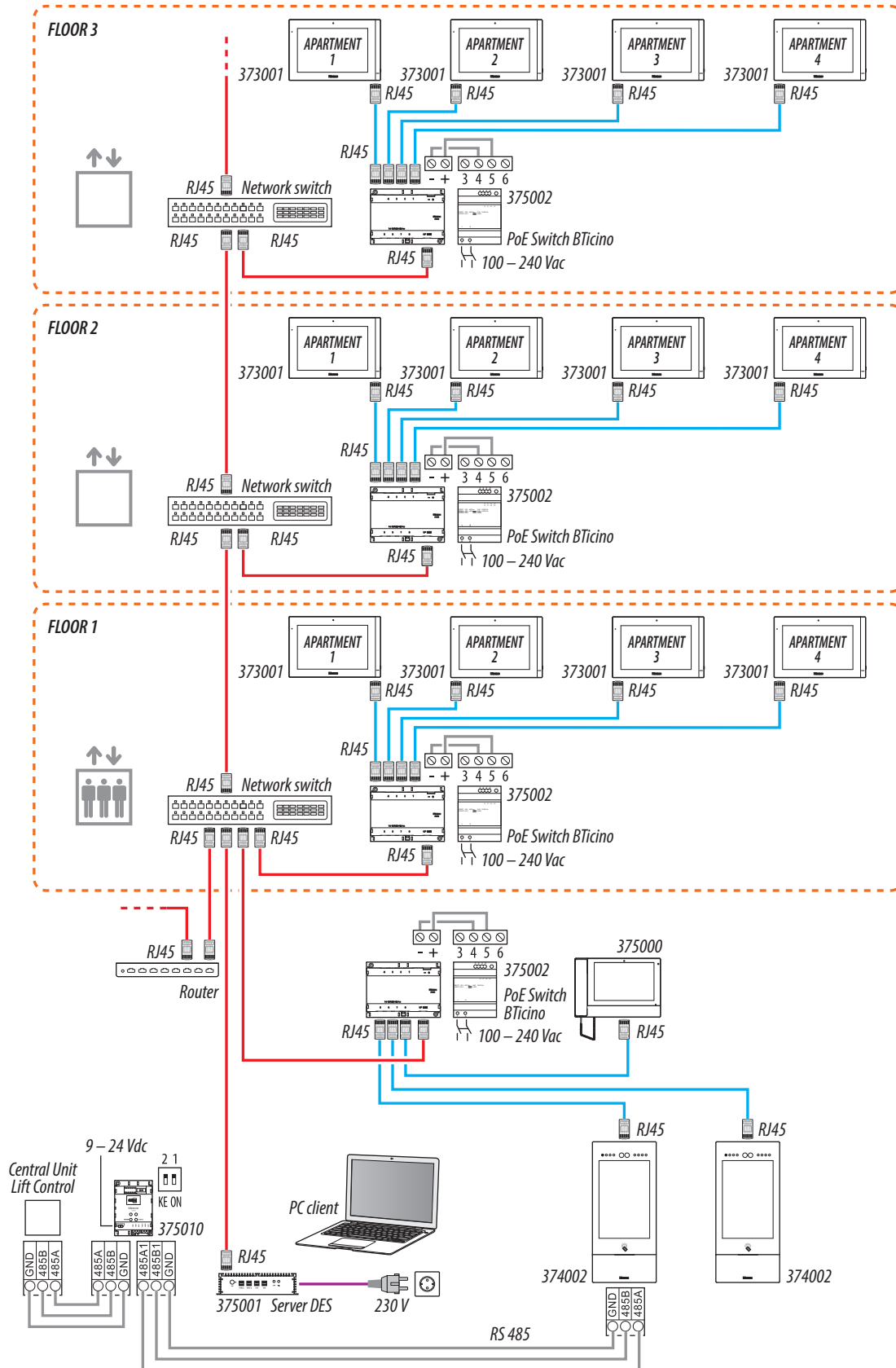
RISER 2



Attention: do not directly connect PoE ports to an unsuitable network interface, such as a device powered by a different voltage. Connect the UP LINK port to a suitable port, never to a PoE port.
Note: to connect the devices it is possible to use both types of wiring (diagram A or diagram B) or even mixed ones.

Lift control 3 - Lift control, 1 riser, multi entrance panel

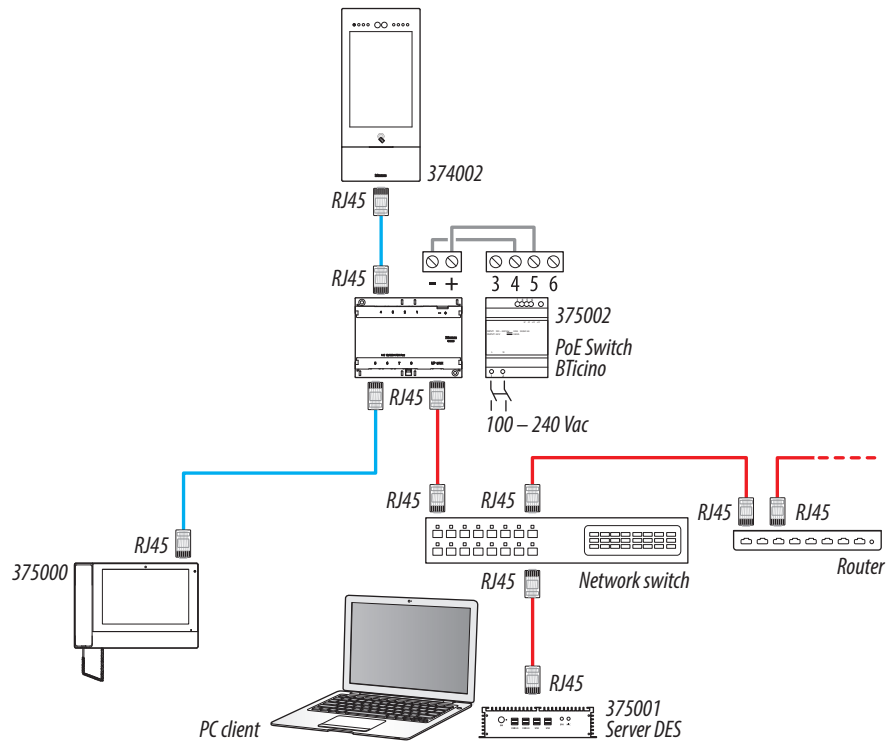
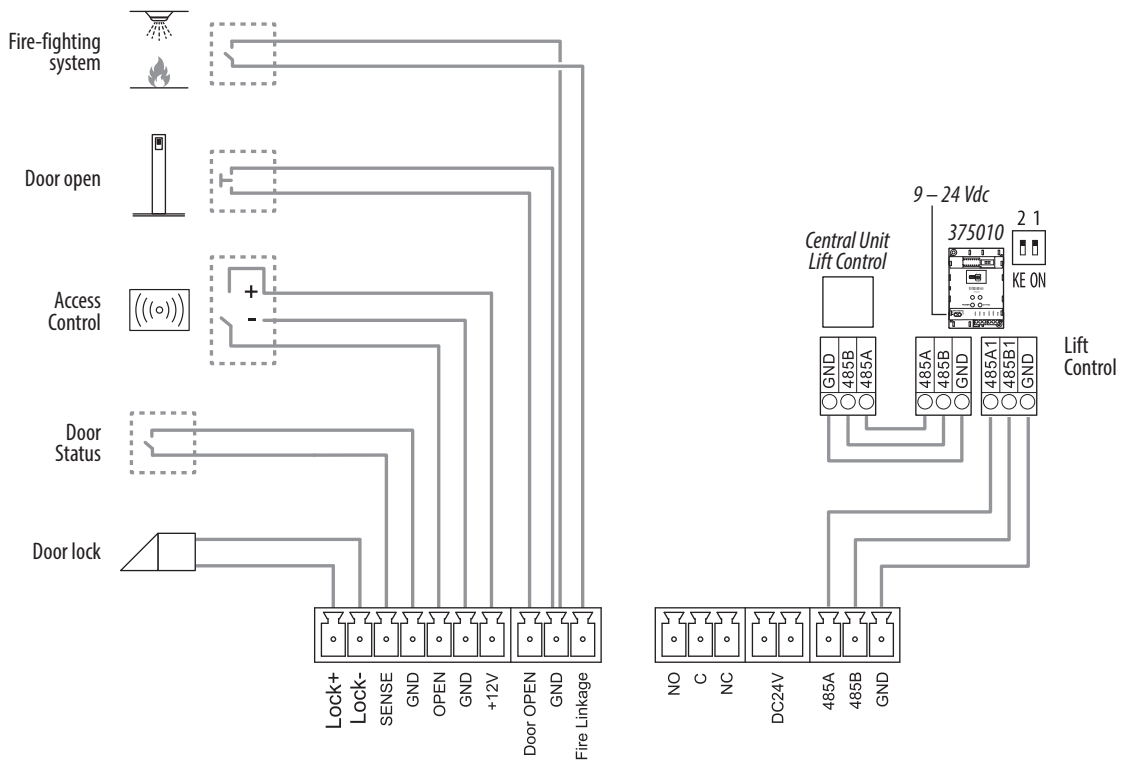
CABLES LEGEND	LAN PoE BTicino	LAN Ethernet	Copper cables	2 x Copper cables



Attention: do not directly connect PoE ports to an unsuitable network interface, such as a device powered by a different voltage. Connect the UP LINK port to a suitable port, never to a PoE port.
Note: to connect the devices it is possible to use both types of wiring (diagram A or diagram B) or even mixed ones.

Available functions

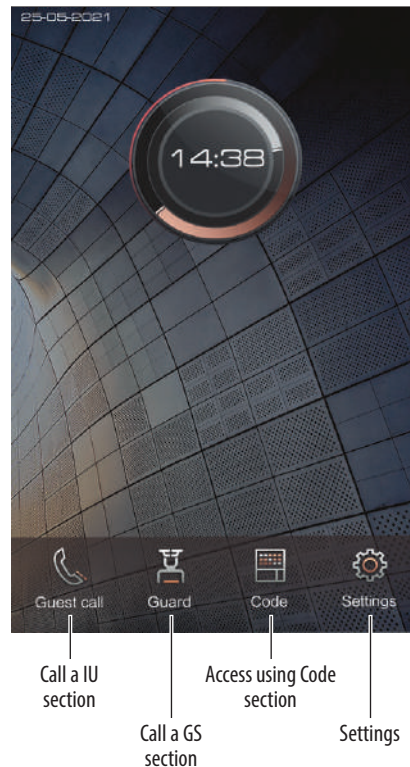
CABLES LEGEND	LAN PoE BTicino —	LAN Ethernet —	Copper cables —	2 x Copper cables —
---------------	---	---	---	---



Attention: do not directly connect PoE ports to an unsuitable network interface, such as a device powered by a different voltage. Connect the UP LINK port to a suitable port, never to a PoE port.
Note: to connect the devices it is possible to use both types of wiring (diagram A or diagram B) or even mixed ones.

Main functions

From the Home Page of the device, it is possible to access the main functions, as described below:



Call an IU Function

In this section it is possible to manage the calls to an IU.

Depending on how the community has been configured using the DES Server software, calls can be made in different ways:

- Call using the system address
- Call using the Alias (alphanumeric code)
- Call using the Phonebook

When the IU does not answer a message can be recorded.

Call a GS Function

This function allows to call the reference guard station.

Access Function

It is possible to access the building in different ways:

- by entering a code, using the Access using Code function on the Home Page
- using a configured badge or card.

Answering machine Function

Using this function, it is possible to leave a photo with own audio message if the IU does not answer after 30 seconds. This function must be active.

Messages and advertising Function

This function displays advertising messages or images sent to entrance panels through the DES Server Software.