

# Device connectors SR

**Direct  
connection**  
to the device

Bimetal  
**(Al/Cu)**

**Class A**

Certified according to  
standards EN 61238-1  
and EN 60947-7-1



Device connectors SR are designed to reduce of connection cross-sections Cu and Al conductors for circuit breakers, controls and other devices. According to the Dimensions of the connection openings and equipment supply wire gauge can choose the appropriate corresponding reduction clamp. The clamp and the tightening screw are made of tin and aluminium insulating part is of fire-retardant polyamide.

Device connectors SR are designed to connect aluminium and copper cables directly to the device. The material of the body and tightening screws is aluminium with tin plating. Plastic cover is made of self-extinguishing polyamide. IP protection class for SR terminals is IP20.



	SR 50	SR 50M	SR 2x50RB	SR 95	SR 95M
Left handed	MAC1055A10	MAC1053A10	-	MAC9506A10	MAC9508A10
Standard	MAC1050A10	MAC1051A10	MAC2050A10	MAC9500A10	MAC9501A10
Right handed	MAC1054A10	MAC1052A10	-	MAC9507A10	MAC9509A10

**Technical data**

Conductor cross-section Cu, Al (mm <sup>2</sup> )	6 - 50	6 - 50	2 x 6 - 50	16 - 95	16 - 95
Measurement wire	-	2,5	-	-	2,5
Nominal voltage AC / DC (V)	690	690	690	690	690
Nominal current Cu / Al (A)	160 / 100	160 / 100	320 / 250	230 / 180	230 / 180
Width / Height / Length (mm)	17 / 32 / 49,8	17 / 32 / 49,8	22,4 / 41,2 / 71,8	23,4 / 51 / 67,8	23,4 / 51 / 67,8
Dimensions L1 / H1 / H2 / W1 (mm)	14,6 / 5 / 10 / 6	14,6 / 5 / 10 / 6	27,3 / 11,4 / 10,3 / 11,8	26,6 / 9 / 3,5 / 10	26,6 / 9 / 3,5 / 10
Screw, hexagonal key	No. 5	No. 5	No. 5	No. 6	No. 6
Tightening torque (Nm)	6 Nm (6 - 10 mm <sup>2</sup> ) 10 Nm (16 - 50 mm <sup>2</sup> )	6 Nm (6 - 10 mm <sup>2</sup> ) 10 Nm (16 - 50 mm <sup>2</sup> )	6 Nm (6 - 10 mm <sup>2</sup> ) 10 Nm (16 - 50 mm <sup>2</sup> )	12 Nm (16 - 50 mm <sup>2</sup> ) 20 Nm (70 - 95 mm <sup>2</sup> )	12 Nm (16 - 50 mm <sup>2</sup> ) 20 Nm (70 - 95 mm <sup>2</sup> )
Weight (g)	22,8	23,2	26,2	56	56
Package (pcs)	50	50	30	30	30

**Model specification (marking)** M - model has connector for measurement I RB - rounded busbar

SR 50(M)



Right-handed Standard Left-handed

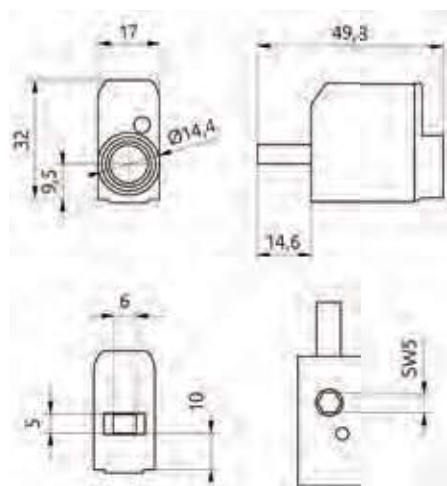
SR 95(M)



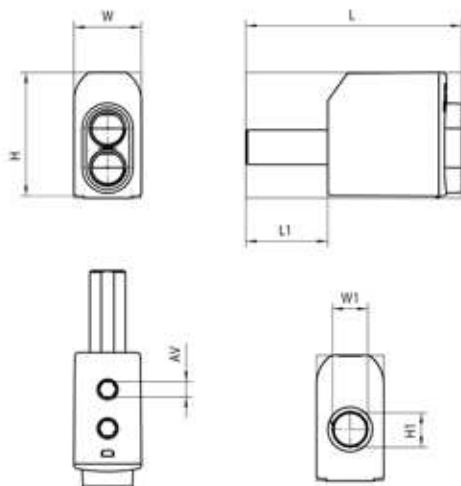
Right-handed Standard Left-handed

**Dimensions**

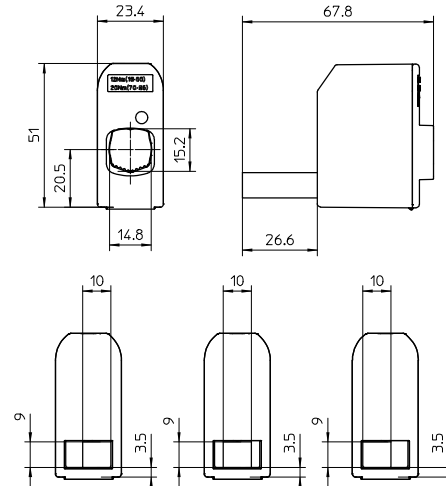
SR 50(M)



SR 2x50RB



SR 95(M)





**SR 95SB**

**SR 95SBM**



**SR 95RB**

**SR 95RBM**

Left handed	-	-	MAC9510A10	MAC9513A10
Standard	MAC9505A10	MAC9503A10	MAC9504A10	MAC9502A10
Right handed	-	-	MAC9511A10	MAC9512A10

**Technical data**

Conductor cross-section Cu, Al (mm <sup>2</sup> )	16 - 95	16 - 95	16 - 95	16 - 95
Measurement wire	-	2,5	-	2,5
Nominal voltage AC / DC (V)	690	690	690	690
Nominal current Cu / Al (A)	230 / 180	230 / 180	230 / 180	230 / 180
Width / Height / Length (mm)	23,4 / 51 / 67,8	23,4 / 51 / 67,8	23,4 / 51 / 67,8	23,4 / 51 / 67,8
Dimensions L1 / H1 / H2 / W1 (mm)	26,6 / 9 / 3,5 / 16	26,6 / 9 / 3,5 / 16	16,6 / 9 / 3,5 / 10	16,6 / 9 / 3,5 / 10
Screw, hexagonal key	No. 6	No. 6	No. 6	No. 6
Tightening torque (Nm)	12 Nm (16 - 50 mm <sup>2</sup> ) 20 Nm (70 - 95 mm <sup>2</sup> )	12 Nm (16 - 50 mm <sup>2</sup> ) 20 Nm (70 - 95 mm <sup>2</sup> )	12 Nm (16 - 50 mm <sup>2</sup> ) 20 Nm (70 - 95 mm <sup>2</sup> )	12 Nm (16 - 50 mm <sup>2</sup> ) 20 Nm (70 - 95 mm <sup>2</sup> )
Weight (g)	58	58	56 / 58	56 / 58
Package (pcs)	30	30	30	30

**Model specification (marking)**    **M** - model has connector for measurement    **RB** - rounded busbar

**SR 95RB(M)**



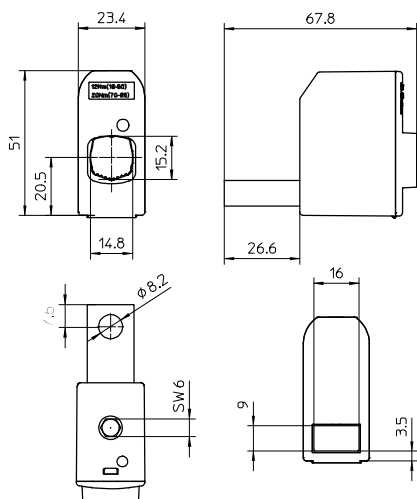
Right-handed

Standard

Left-handed

**Dimensions**

**SR 95SB(M)**



**SR 95RB(M)**

