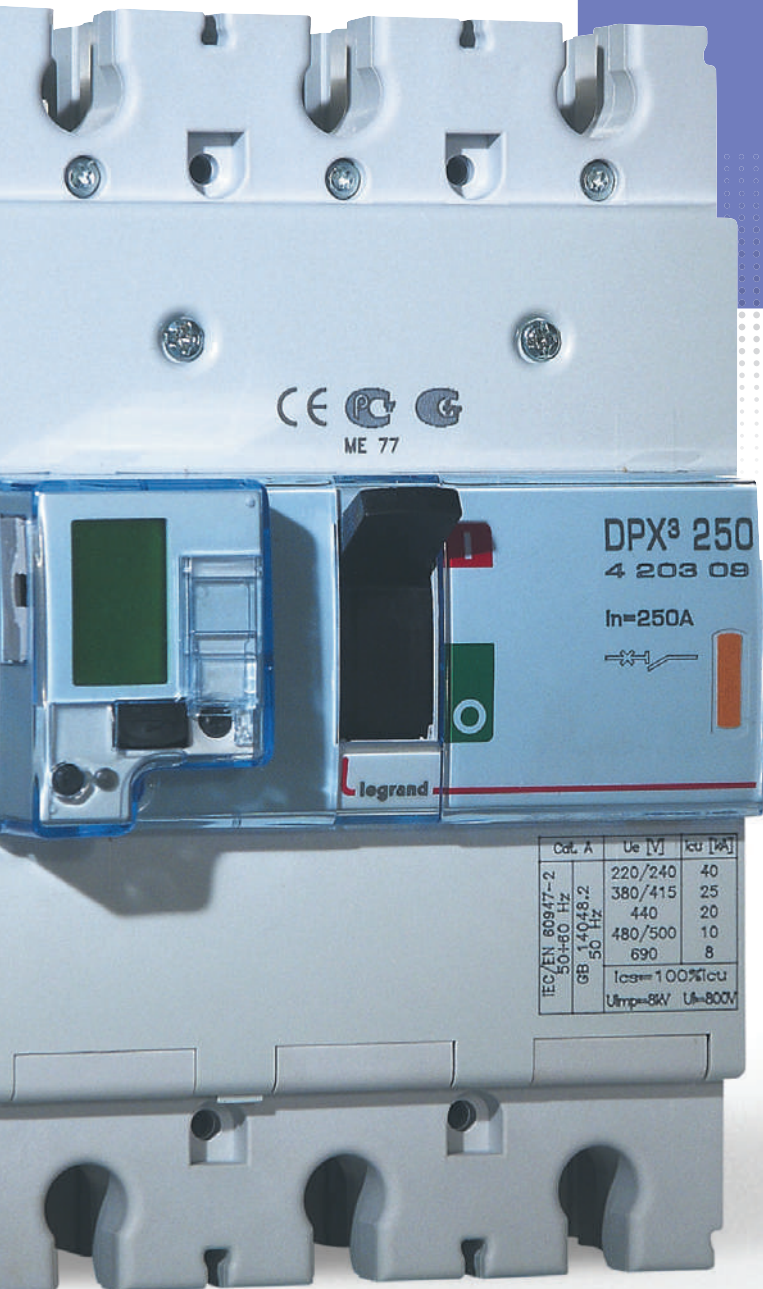


DPX³

PRECISE PROTECTION
AND MEASUREMENT
UP TO 1600 A



CATALOGUE
PAGES
→ INSIDE



DPX³

PRECISE PROTECTION
AND MEASUREMENT
UP TO 1600 A

The new DPX³ 630 and 1600 circuit breakers extend the benefits of the DPX³ range up to 1600 A. Not only do DPX³ circuit breakers provide precise, reliable protection, they also include numerous benefits for your low voltage distribution boards. The wide range of characteristics and versions cover the requirements of all installations. Integrated measurement enables you to monitor the parameters and consumption of the installation with no need for any additional device or accessory. The various selectivity techniques available ensure optimum continuity of service. The comprehensive range of electrical auxiliaries makes operation and maintenance easy. The circuit breakers are fully compatible with Legrand XL³ enclosures, making installation easy. The numerous accessories available make them easy to adapt to suit all panel configurations. **Discover the details of the whole DPX³ range and all its benefits in this document.**

Extensive range, high performance and safety

A comprehensive range for all your requirements from 16 to 1600 A	2
Diferent versions for all types of installation	4

New functions to simplify use

Integrated measurement from 40 to 1600 A	6
Integrated measurement: choosing a more compact solution	8
Total selectivity for optimum continuity of service	10
A range of auxiliaries and accessories for an optimum configuration	12

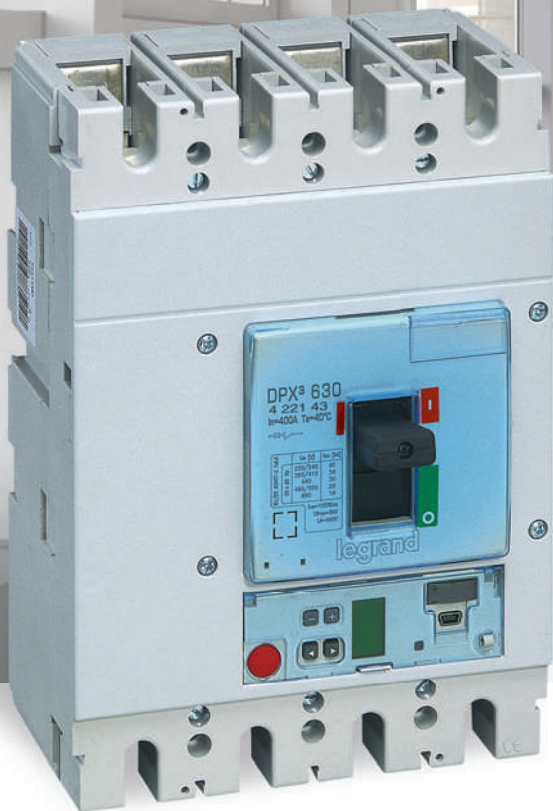
Safe, quick and easy installation

Auxiliaries that are easy to install and wire	14
Motorisation and supply inverters for DPX ³ 160/250	16
Connection accessories for all configurations	18
Plug-in and draw-out DPX ³ for optimum continuity of service	20
DPX ³ 630/1600: easy maintenance and upgrades	22
Distribution systems that are safe and reliable	24
The XL ³ range: enclosures for all requirements	26
XL Pro ³ software: calculate your installations and install your XL ³ panels	28

Catalogue pages

DPX ³ electrical characteristics	30
DPX ³ 160 MCCBs	32
DPX ³ 250 MCCBs	34
DPX ³ 630 MCCBs	40
DPX ³ 1600 MCCBs	46

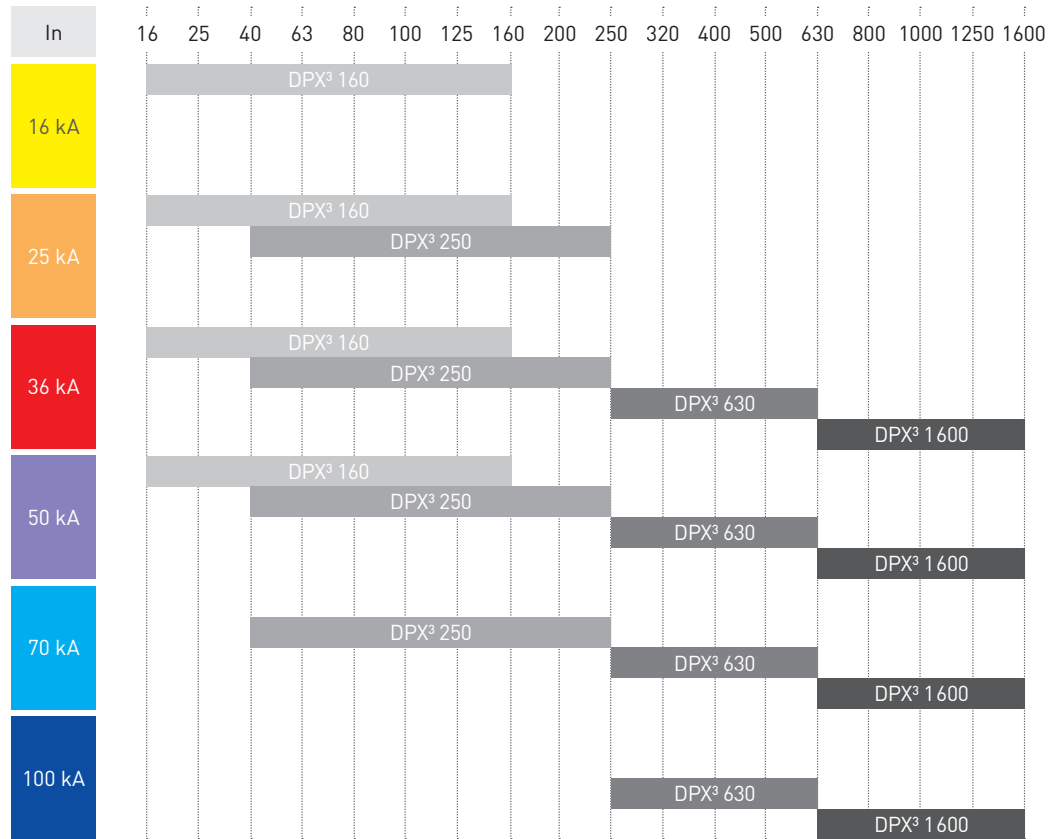
EXTENSIVE RANGE, HIGH
PERFORMANCE AND SAFETY



A comprehensive range
for all your requirements
from 16 to 1600 A



The DPX³ range features four sizes of moulded case circuit breakers with breaking capacities ranging from 16 to 100 kA.



DPX³ 160
Mounting on rail
or plate



DPX³ 250
Mounting on rail
or plate

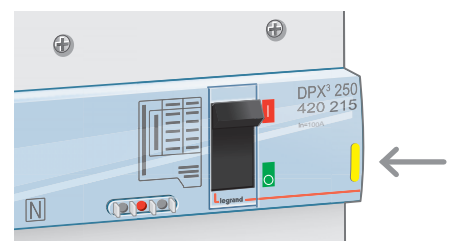


DPX³ 630
Mounting on plate



DPX³ 1600
Mounting on plate

Easy identification
of the breaking capacity
by the coloured tab:



EXTENSIVE RANGE, HIGH
PERFORMANCE AND SAFETY



Different versions for
all types
of installation



The DPX³ range includes a wide range of versions to meet all requirements:

- Thermal-magnetic and electronic releases according to the required level of protection
- Fixed, draw-out and plug-in versions according to the required level of maintenance
- RCBOs to protect people, etc.

A WIDE RANGE OF VERSIONS

		DPX ³ 160	DPX ³ 250	DPX ³ 630	DPX ³ 1600
Number of poles	3 P	•	•	•	•
	4 P	•	•	•	•
	3 P + N/2			• ⁽¹⁾	• ⁽¹⁾
Version	Fixed	•	•	•	•
	Plug-in	•	•	•	
	Draw-out			•	•
Release	Thermal-magnetic	•	•	•	•
	S1 electronic			•	•
	S2 electronic		•	•	•
	Sg electronic			•	•
Options	Integrated residual current protection	•	•		
	Integrated measurement		• ⁽²⁾	• ⁽²⁾	• ⁽²⁾

¹: thermal-magnetic only - ²: S2 or Sg electronic only

SELECTION OF THE TYPE OF RELEASE

	Protection against overloads		Protection against short-circuits			Protection against earth faults	
	I _r	t _r	short delay		instantaneous	I _g	t _g
			I _{sd}	t _{sd}	I _i		
thermal-magnetic	A	F			A ⁽¹⁾		
S1 electronic	A	F	A	F	F		
S2 electronic	A	A	A	A	A		
Sg electronic	A	A	A	A	A	A	A

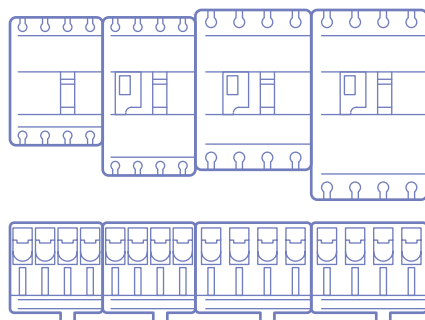
A: adjustable (see catalogue pages for the adjustment ranges)

F: fixed

¹: except for DPX³ 160: fixed I_i



Electronic DPX³ units are adjusted using pushbuttons and the settings are shown on the LCD screen



OPTIMISED INTEGRATION

The DPX³ 160 and 250 are the same depth and can therefore be installed on the same row.

NEW FUNCTIONS
TO SIMPLIFY USE



Currents, voltages, frequency,
power, energy, THD.



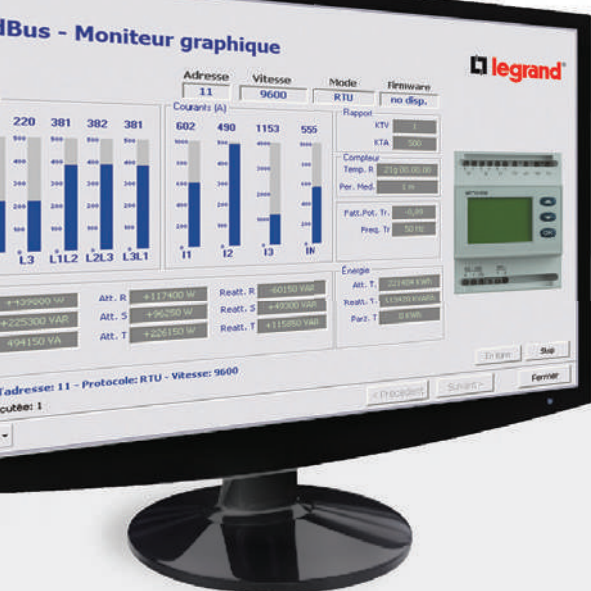
Integrated measurement from 40 to 1600 A

With the new DPX³ electronic circuit breakers with integrated measurement, it is very easy to monitor the parameters of the various circuits in the installation without using any external device.

The measured values are displayed directly on the LCD screen on the front of the devices.



Integrated measurement is available on the DPX³ 250, 630 and 1600.



The measurement data can also be viewed remotely on a PC equipped with supervision software, via a communication interface.



INTERNAL BATTERY
The protection unit has an internal battery, so it can be adjusted even if the circuit breaker is switched off. Tests can be carried out and faults viewed directly via the LCD screen of the MCCBs

NEW FUNCTIONS
TO SIMPLIFY USE



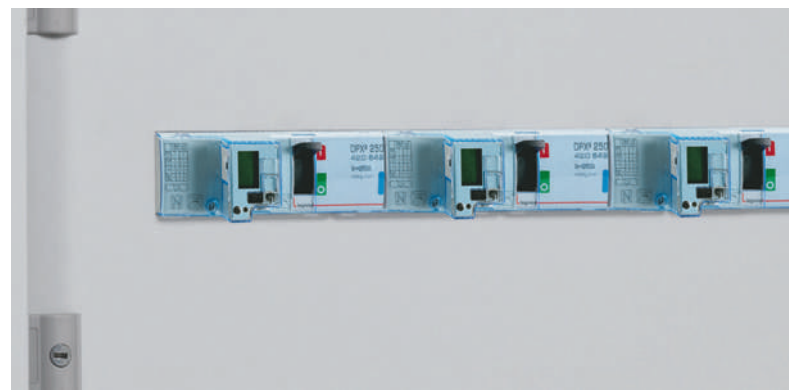
Integrated measurement: choosing a more compact solution



DPX³ units with integrated measurement combine an electronic circuit breaker and a high-performance measurement control unit with LCD display in a single device.

Integrated measurement means:

- Protection of the installation against electrical faults
- Measurement and display of the installation's parameters
- Time-saving as a result of simplified installation and wiring
- Space-saving in the enclosure



CONVENTIONAL SOLUTION

Legrand also has a complete range of meters, measurement control units and current transformers for installations equipped with devices without integrated measurement.

Integrated measurement is available on the DMX³, DPX³ and DX³ ranges. The panel board display is an innovative solution, allowing to integrate informations coming from 8 different devices DX³-HP, DPX³, DMX³ or EMDX³.

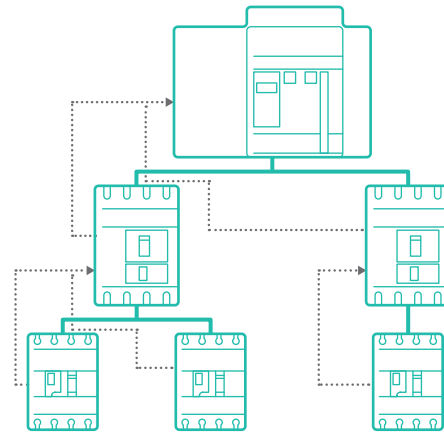
NEW FUNCTIONS
TO SIMPLIFY USE



Total selectivity
for optimum
continuity of service

Selectivity between Legrand circuit breakers, which ensures continuity of service, is optimised by the improved performance of the DPX³ devices.

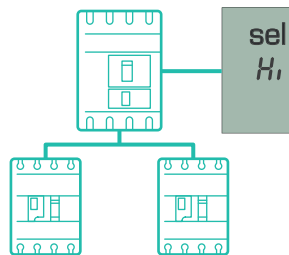
In critical configurations, the dynamic and logical selectivity offered by the new electronic DPX³ protection units provide total selectivity in all situations.



LOGICAL SELECTIVITY

This is “smart” selectivity, obtained by means of communication between DPX³ (and/or DMX³) electronic circuit breakers that are connected together via an external wired link. It enables there to be total selectivity between several levels, as well as a reduction of the thermal and electrodynamic stresses on the cables or bars, thus optimising the installation.

.....> Connection cable for logical selectivity

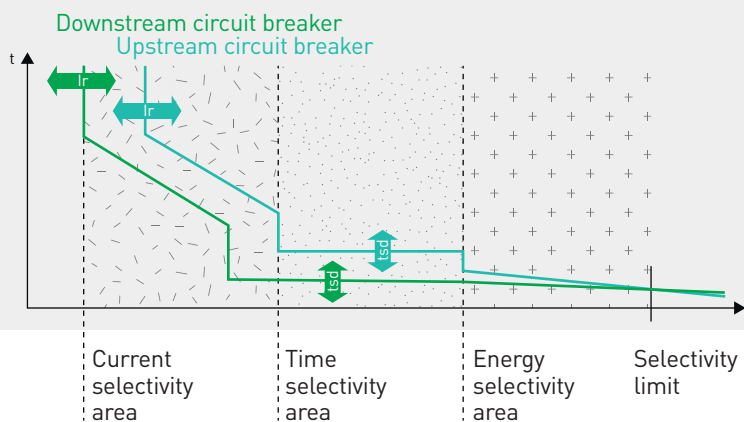


DYNAMIC SELECTIVITY

Electronic DPX³ units have 2-position adjustment:

- Low for normal selectivity level
- High for high selectivity level

When electronic circuit breakers are set to High there is a slight tripping delay, enabling a high level of selectivity to be obtained, even for the highest short-circuit currents.



CURRENT SELECTIVITY AND TIME SELECTIVITY
The precision of the settings on electronic DPX³ units ensures optimum current and time selectivity.



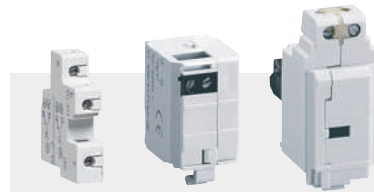
NEW FUNCTIONS
TO SIMPLIFY USE



A range of auxiliaries
and accessories
for an optimum configuration

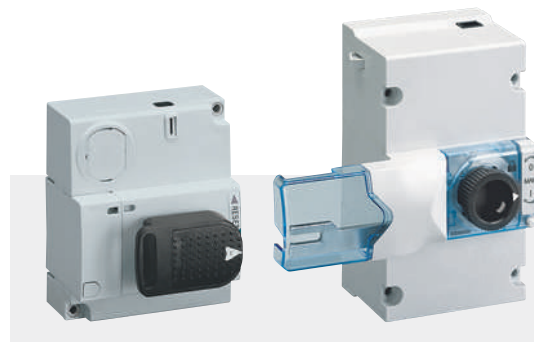


With the huge range of possibilities offered by the numerous auxiliaries and accessories, DPX³ units can be adapted to fit any installation and any panel configuration.



ELECTRICAL AUXILIARIES (P. 14):

- The same auxiliary or fault signal contacts for the whole range
- Shunt trips or undervoltage releases



ROTARY HANDLES AND MOTOR-DRIVEN HANDLES (P. 16):

- One version for both DPX³ 160 and 250
- Previous DPX versions for DPX³ 630 and 1600



CONNECTION ACCESSORIES (P. 18):

- Cage terminals, extensions, spreaders, rear terminals, etc. to adapt the DPX³ to suit all wiring configurations and simplify panel builder's work

SAFE, QUICK AND EASY
INSTALLATION



Auxiliaries that are easy
to install and wire



For emergency breaking, automatic or remote control and feedback on the status of the device, all DPX³ circuit breakers can be equipped very easily with a comprehensive range of electrical auxiliaries.



AUXILIARY CONTACTS
or fault signal contacts:
the same for all DPX³



CURRENT SHUNT TRIPS
and undervoltage releases
for DPX³ 160 and 250



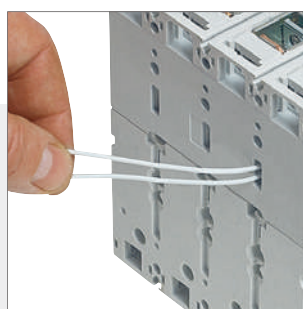
NEW RELEASES
with boxes for DPX³
630 and 1600

NUMBER OF AUXILIARIES THAT CAN BE INSTALLED PER DEVICE

	Auxiliary contacts	Fault signal contacts	Releases
DPX ³ 160	1	1	1
DPX ³ 250	1	1	1
DPX ³ 630	2	2	1
DPX ³ 1600	3	1	1



DPX³ have three options for the outgoing connection wires.



Auxiliaries are installed in dedicated locations under the front panel.

SAFE, QUICK AND EASY
INSTALLATION



The side motor-driven handle is mounted on the rail beside the DPX³.

Motorisation and supply inverters for DPX³ 160/250

Motor-driven handles for DPX³ 160 and 250 are available in two versions, side and front.

They can take a wide range of DC and AC voltages, from 24 to 230 V.

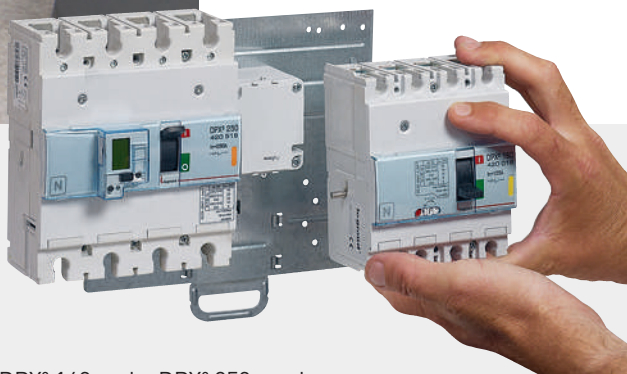


The front motor-driven handle leaves space for access to the connections and for adjustment.

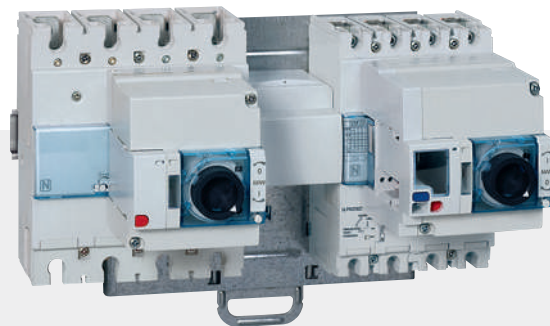
DPX³ 630 and 1600 can be equipped with front motor-driven handles. Supply inverters consist of a plate and an interlocking device, and are factory-assembled.

The interlocking device for DPX³ 160 and 250 greatly simplifies the installation of a supply inverter:

- Extremely easy to install
- Compact
- No adjustment required
- Rail mounting, enabling installation in small cabinets



DPX³ 160 and a DPX³ 250 can be used together for a supply inverter.



With motor-driven handles and the Legrand automation control unit, DPX³ supply inverters can be controlled and managed remotely.

SAFE, QUICK AND EASY
INSTALLATION



Connection accessories
for **all configurations**

Connection plates, cage terminals, spreaders, rear terminals, etc.

The DPX³ range has all the accessories needed for upstream and downstream connection of the circuit breakers via cables or bars in all configurations.

ALL CONNECTION ACCESSORIES

	Cage terminals		Screw terminals for bars	Connection extensions	Adaptors for lugs	Spreaders	Rear terminals
	Standard capacity	Large capacity					
DPX ³ 160	•	•	•			•	•
DPX ³ 250	•	•	•			•	•
DPX ³ 630	•	•		•	•	•	•
DPX ³ 1600	•	•		•		•	•



SPREADERS
These are used for connection via large cross-section cables.



FLAT REAR TERMINALS
These can be turned horizontally or vertically.

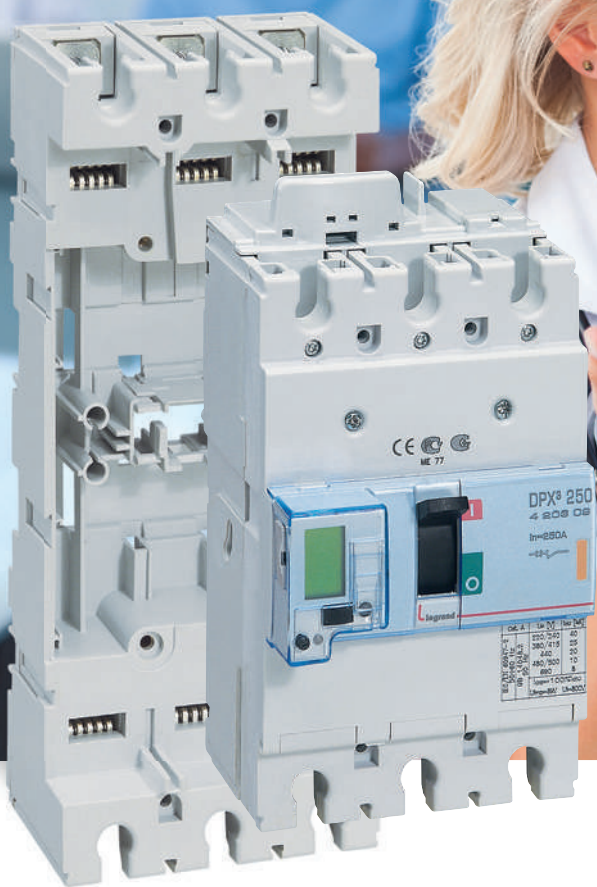


TERMINAL SHIELDS
These provide IP 2X protection of the connections.



DPX³ 160 AND 250
The large capacity cage terminals enable connection via large cross-section copper or aluminium cables (see catalogue pages for more detailed information).

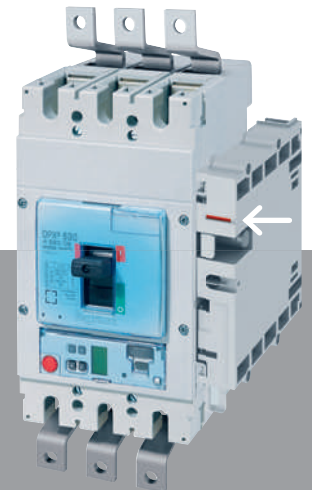
SAFE, QUICK AND EASY
INSTALLATION



Plug-in and
draw-out DPX³ for
optimum continuity
of service

The plug-in and draw-out versions enable a faulty device to be replaced in just a few minutes without having to switch off the power supply to the other circuits.

The bases for plug-in and draw-out devices have the same connection options as fixed circuit breakers.



DRAW-OUT DPX³ 630 AND 1600

The “debro-lift” mechanism is very easy to install and fixes onto the support bases. Connection/disconnection is carried out via a mechanism with a handle.

The mechanism has three positions, shown by coloured indicators:

■ connected
 ■ test
 ■ drawn out



With the optional connector, the power can be disconnected while the auxiliaries remain operational for tests.

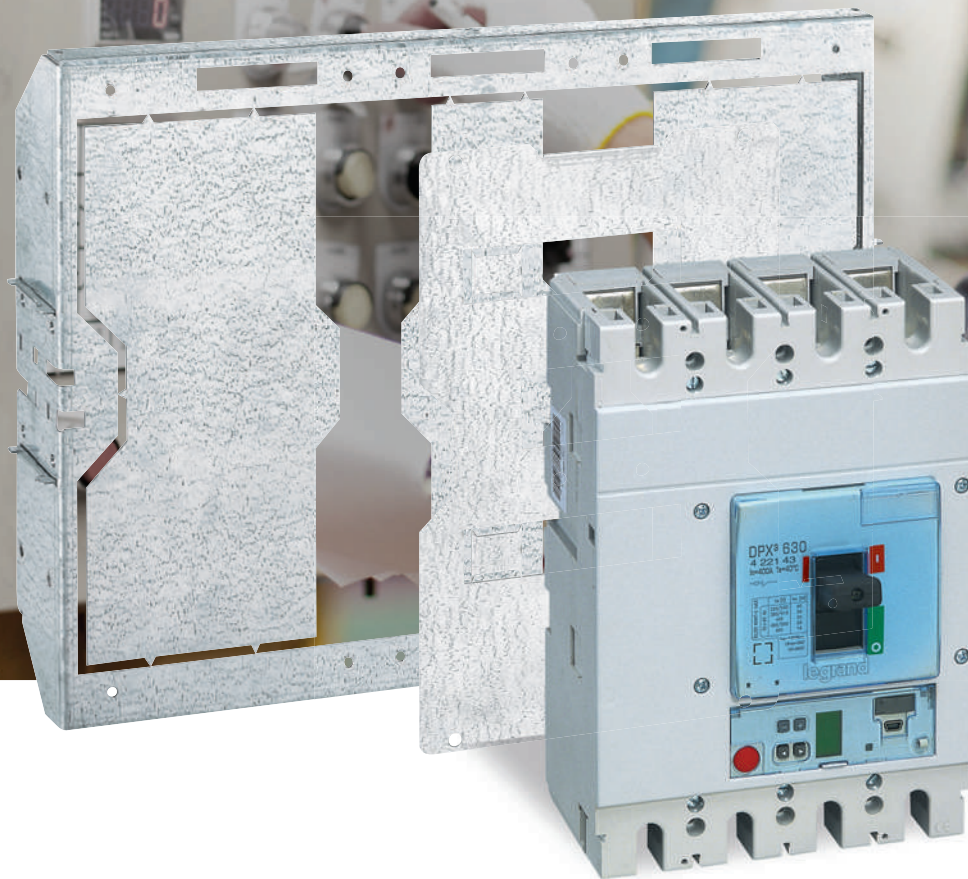


With its internal battery, the electronic DPX³ protection unit can be set in the workshop before the circuit breaker is inserted on its base.



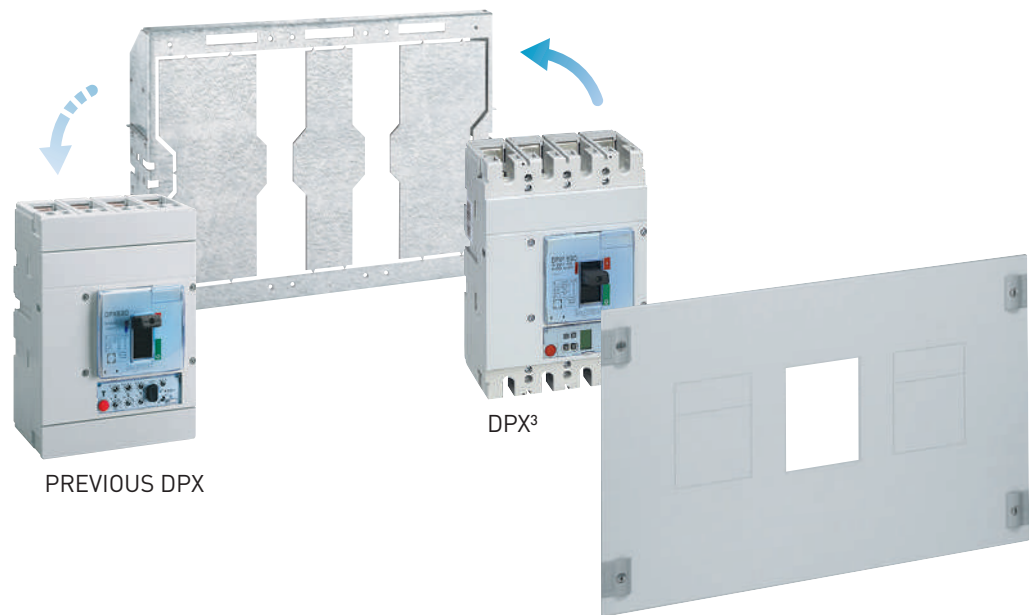
Locking via a key or a padlock prevents the device being switched on, while on its base, during maintenance operations.

SAFE, QUICK AND EASY
INSTALLATION



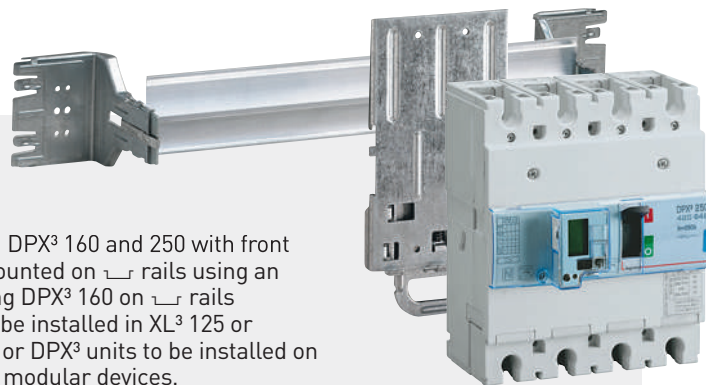
DPX³ 630/1600:
easy maintenance
and upgrades

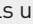
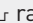
Retrofitting: to ensure Legrand panels are easy to maintain and upgrade, the new DPX³ 630 and 1600 use the same mounting equipment and the same XL³ faceplates as the previous DPX 630 and 1600.



PREVIOUS DPX

DPX³



The fixed version DPX³ 160 and 250 with front terminals are mounted on  rails using an adaptor. Mounting DPX³ 160 on  rails enables them to be installed in XL³ 125 or XL³ 160 cabinets or DPX³ units to be installed on the same row as modular devices.

SAFE, QUICK AND EASY
INSTALLATION



HX³ 250 and 400 A row distribution
block for DPX³ and modular devices

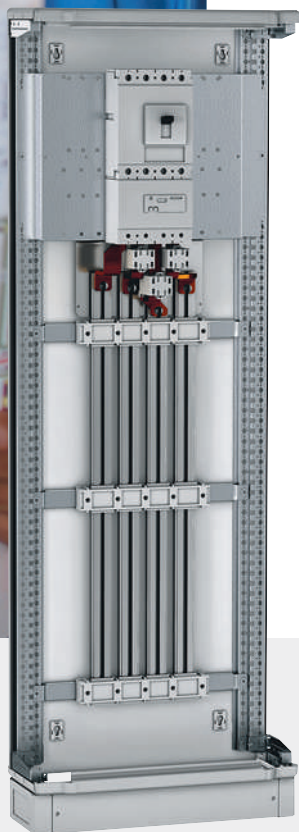
Distribution systems
that are safe
and reliable



Optimised distribution provides a complete, coherent system for distributing electricity in the panel:

- Optimised busbars (C-section zinc-plated copper aluminium)
- Prefabricated links for connecting devices to busbars
- Horizontal distribution blocks with automatic connection of devices (can be connected while power is on)

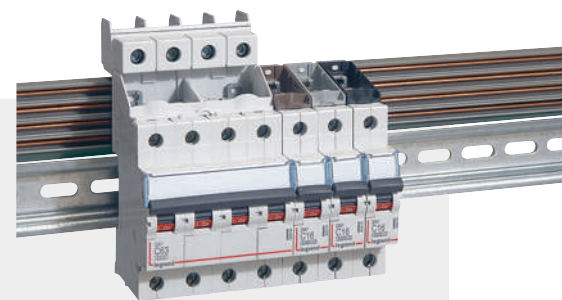
All these components, which have been tested with Legrand devices, can be used to create safe, easy to maintain panels that comply with standard IEC 61439, reduce installation times and optimise the size of the enclosures.



VX³ C-section busbar and power supply kit



Prefabricated connection kits for DPX³



Plug-in HX³ 80/125 A row distribution block for modular devices

SAFE, QUICK AND EASY
INSTALLATION



The XL³ range: enclosures for all requirements

From the XL³ 125 cabinet to the XL³ 6300 enclosure, the Legrand range fulfils all requirements for quality, strength and attractive appearance.

The XL³ range includes numerous practical innovations for quick, safe assembly, real freedom of configuration and considerable time-saving during maintenance and extension operations.



A comprehensive range for all distribution panels up to 6300 A



Ergonomic or locking handle, and solid or glazed doors.



Faster access and work with faceplates on hinges.



1/4 turn faceplates with handle.



XL³ 160: After complete removal of the frame and side panels, full access for wiring.

SAFE, QUICK AND EASY
INSTALLATION

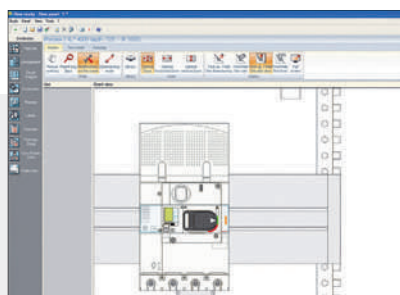


XL Pro³ software:
calculate your installations
and install your XL³ panels

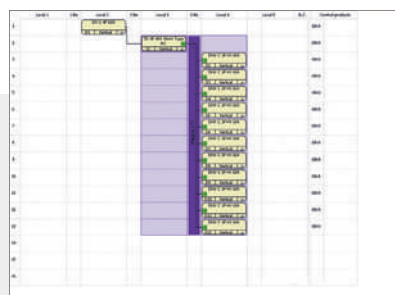
XL PRO³ incorporates the whole Legrand power range, including the new DPX³.

This is, more than ever, the essential software for creating your electric panels:

- Guided selection of products and accessories
- Display of the enclosure and the layout of the components
- Automatic creation of the folder for costing and ordering



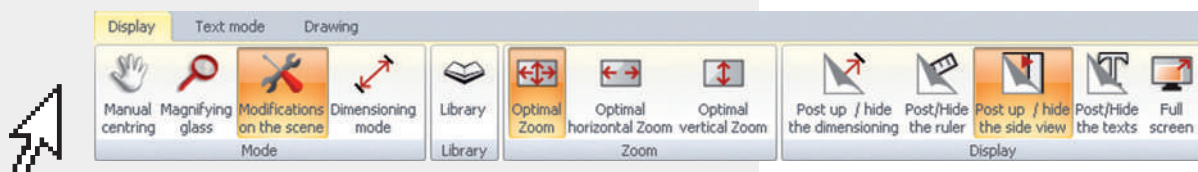
The new DPX³ range is included in the databases.









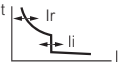
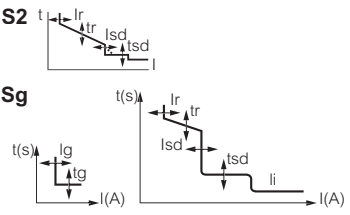
HX³ and VX³ distribution managed directly in the Arrangement, Circuit diagram and Parts list modules.

XL PRO³ Calcul can be used to create single-line diagrams, carry out calculations, draw up the power analysis and calculate the necessary protection devices and their settings. It interfaces fully with XL PRO³.

To order either software package, contact your Legrand sales office. Updates are provided for life and are available at www.export.legrand.com



A redesigned interface for more intuitive use.

																
DEVICES	DPX ³ 160 thermal magnetic				DPX ³ 250 thermal magnetic				DPX ³ 250 electronic release							
Mounting	On rail  or on plate				On rail  or on plate				On rail  or on plate							
Breaking capacity (kA) (EN 60947-2 and IEC 60947-2)	16 kA	25 kA	36 kA	50 kA	25 kA	36 kA	50 kA	70 kA	25 kA	36 kA	50 kA	70 kA				
380/415 V~	16	25	36	50	25	36	50	70	25	36	50	70				
220/240 V~	25	35	50	65	40	60	100	100	40	60	100	100				
Breaking capacity (% I _{cu})	100	100	100	100	100	100	100	100	100	100	100	100				
Characteristic of use																
Nominal frequency	50/60 Hz															
Maximum rated operating voltage U _e	690 V (500 V with integrated e.l.c.bs)				690 V (500 V with integrated e.l.c.bs)				690 V (500 V with integrated e.l.c.bs)							
Category of use	A				A				A							
Thermal magnetic adjustment																
	Thermal	0,8 to 1 I _n				0,8 to 1 I _n				-						
	Magnetic	10 I _n (400 A for 16 A and 25 A sizes)				5 to 10 I _n				-						
Electronic protection adjustment																
	S2															
	Sg									I _r : 0,4 to 1 I _n I _{sd} : 1,5 to 10 I _r						
Maximum cable cross-section																
Rigid cable	150 mm ²				150 mm ²				150 mm ²							
Flexible cable	120 mm ²				120 mm ²				120 mm ²							
Copper bar and lug width	18 mm				28,5 mm ⁽¹⁾				28,5 mm ⁽¹⁾							
Tightening torque	8 Nm				10 Nm				10 Nm							
Nominal current (I _n) at 40 °C (A)																
I _n (A)	16	25	40	63	80	100	125	160	100	160	200	250	40	100	160	250
Phase	16	25	40	63	80	100	125	160	100	160	200	250	40	100	160	250
N	16	25	40	63	80	100	125	160	100	160	200	250	40	100	160	250
N/2	-	-	-	-	-	-	-	-	-	-	-	-	-	-	-	-
Magnetic threshold (I _m) (A) ⁽²⁾ of DPX ³ thermal magnetic																
I _m (A)	Fixed				Adjustable				Adjustable							
	16	25	40	63	80	100	125	160	100	160	200	250	-			
	400	400	400	630	800	1000	1250	1600	500-1000	800-1600	1000-2000	1250-2500	-			
	400	400	400	630	800	1000	1250	1600	500-1000	800-1600	1000-2000	1250-2500	-			
N/2	-	-	-	-	-	-	-	-	-	-	-	-	-			
Endurance (cycles)																
Electrical	8000				8000				8000							
Mechanical	25000				20000				20000							
Electronic earth leakage module																
Type	without or integrated				without or integrated				without or integrated							

1: Copper bars only

2: Trip current for 50/60 Hz. For direct current, multiply by 1.5



DPX³ 630
thermal magnetic

DPX³ 630
electronic release

DPX³ 1600
thermal magnetic

DPX³ 1600
electronic release

On plate

On plate

On plate

On plate

36 kA	50 kA	70 kA	100 kA	36 kA	50 kA	70 kA	100 kA	36 kA	50 kA	70 kA	100 kA	36 kA	50 kA	70 kA	100 kA
36	50	70	100	36	50	70	100	36	50	70	100	36	50	70	100
70	100	120	170	70	100	120	170	70	100	120	170	70	100	120	170
100	100	100	100	100	100	100	100	100	100	100	100	100	100	100	100

50/60 Hz

690 V~

690 V~

690 V~

690 V~

A

A: In 630 A - B: In 200 to 400 A

A

B

0.8 to 1 In

-

0.8 to 1 In

-

5 to 10 In

-

5 to 10 In

-

	S2	Sg
I _r = 0.4 - 1 x I _n	•	•
t _r = 3-30 s	•	•
I _{sd} = 1.5 - 10 I _r	•	•
t _{sd} (I=K) = 0-500 ms	•	•
t _{sd} (I²t=K) = 0-500 ms	•	•
I _g = 0.2 - 1 x I _n	•	•
t _g = 0.1 - 1 s	•	•

	S2	Sg
I _r = 0.4 - 1 x I _n	•	•
t _r = 3-30 s	•	•
I _{sd} = 1.5 - 10 I _r	•	•
t _{sd} (I=K) = 0-500 ms	•	•
t _{sd} (I²t=K) = 0-500 ms	•	•
I _g = 0.2 - 1 x I _n	•	•
t _g = 0.1 - 1 s	•	•

300 mm² or 2 x 240 mm²

300 mm² or 2 x 240 mm²

2 or 4 x 240 mm²

2 or 4 x 240 mm²

240 mm² or 2 x 185 mm²

240 mm² or 2 x 185 mm²

2 or 4 x 185 mm²

2 or 4 x 185 mm²

32 mm

32 mm

50 mm

50 mm

15 Nm

20 Nm

250	320	400	500	630	250	320	400	500	630	500	630	800	1000	1250	500	630	800	1000	1250	1600
250	320	400	500	630	250	320	400	500	630	500	630	800	1000	1250	500	630	800	1000	1250	1600
250	320	400	500	630	0 - 50 - 100 % of phase value					500	630	800	1000	1250	0 - 50 - 100 % of phase value					
-	250	250	250	320	-					-	-	-	500	630	-					

Adjustable

250	320	400	500	630	-					500	630	800	1000	1250	-				
1250-2500	1600-3200	2000-4000	2500-5000	3150-6300	-					2500-5000	3150-6300	4000-8000	5000-10000	6250-12500	-				
1250-2500	1600-3200	2000-4000	2500-5000	3150-6300	-					2500-5000	3150-6300	4000-8000	5000-10000	6250-12500	-				
-	1000-2000	1250-2500	1600-2500	2000-4000	-					-	-	-	2500-5000	3150-6000	-				

5000

5000

4000

4000

10000

20000

10000

10000

downstream e.l.c.bs.

downstream e.l.c.bs.

-

-



For DPX³ magnetic release only,
Please, consult us

DPX³ 160 thermal magnetic

MCCBs from 16 to 160 A



Dimensions **p. 54**
 Electrical characteristics **see e-catalogue**

Can be mounted on rail 2 or on plate in XL³ cabinets and enclosures
 MCCBs for switching, control isolation and protection of low voltage electrical lines
 Supplied with fixing screws cage terminals 70 mm² max. (flexible cable) or 95 mm² max. rigid cable with accessories
 Can be fitted with DPX³ 160 and 250 common auxiliares and accessories (p. 38)
 Conform to IEC 60947-2

Pack	Cat.Nos		MCCBs - fixed version
			Thermal adjustable from 0,8 to 1 In Magnetic fixed at 10 In (fixed at 400 A for In 16 A and 25 A)
			Breaking capacity Icu 16 kA (400 V~) In (A)
	3P	4P	
1	4 200 00	4 200 10	16
1	4 200 01	4 200 11	25
1	4 200 02	4 200 12	40
1	4 200 03	4 200 13	63
1	4 200 04	4 200 14	80
1	4 200 05	4 200 15	100
1	4 200 06	4 200 16	125
1	4 200 07	4 200 17	160
			Breaking capacity Icu 25 kA (400 V~)
1	4 200 40	4 200 50	16
1	4 200 41	4 200 51	25
1	4 200 42	4 200 52	40
1	4 200 43	4 200 53	63
1	4 200 44	4 200 54	80
1	4 200 45	4 200 55	100
1	4 200 46	4 200 56	125
1	4 200 47	4 200 57	160
			Breaking capacity Icu 36 kA (400 V~)
1	4 200 80	4 200 90	16
1	4 200 81	4 200 91	25
1	4 200 82	4 200 92	40
1	4 200 83	4 200 93	63
1	4 200 84	4 200 94	80
1	4 200 85	4 200 95	100
1	4 200 86	4 200 96	125
1	4 200 87	4 200 97	160
			Breaking capacity Icu 50 kA (400 V~)
1	4 201 20	4 201 30	16
1	4 201 21	4 201 31	25
1	4 201 22	4 201 32	40
1	4 201 23	4 201 33	63
1	4 201 24	4 201 34	80
1	4 201 25	4 201 35	100
1	4 201 26	4 201 36	125
1	4 201 27	4 201 37	160

Pack	Cat.Nos	MCCBs with electronic earth leakage module - fixed version
		Thermal adjustable from 0,8 to 1 In Magnetic fixed at 10 In (fixed at 400 A for In 16 A and 25 A) Equipped with earth leakage module with LCD screen Adjustable sensitivity: 0.03 - 0.3 - 1 - 3 A Adjustable tripping: 0 - 0.3 - 1 - 3s (with 0.03 A possible only 0 s)
		Breaking capacity Icu 16 kA (400 V~) In (A)
	4P	
1	4 200 30	16
1	4 200 31	25
1	4 200 32	40
1	4 200 33	63
1	4 200 34	80
1	4 200 35	100
1	4 200 36	125
1	4 200 37	160
		Breaking capacity Icu 25 kA (400 V~)
1	4 200 70	16
1	4 200 71	25
1	4 200 72	40
1	4 200 73	63
1	4 200 74	80
1	4 200 75	100
1	4 200 76	125
1	4 200 77	160
		Breaking capacity Icu 36 kA (400 V~)
1	4 201 10	16
1	4 201 11	25
1	4 201 12	40
1	4 201 13	63
1	4 201 14	80
1	4 201 15	100
1	4 201 16	125
1	4 201 17	160
		Breaking capacity Icu 50 kA (400 V~)
1	4 201 50	16
1	4 201 51	25
1	4 201 52	40
1	4 201 53	63
1	4 201 54	80
1	4 201 55	100
1	4 201 56	125
1	4 201 57	160

See the video



DPX³ 160 equipment and mounting accessories



4 210 40



4 210 36

Pack	Cat.Nos	Equipment for plug-in version
1	4 210 40	A plug-in version DPX ³ is a fixed version DPX ³ mounted on a plug-in base
		Plug-in bases for DPX³ 160
1	4 210 40	Front or rear terminal mounting base For DPX ³ 160 - 3P
1	4 210 41	For DPX ³ 160 - 4P with or without earth leakage module
		Connectors for auxiliary contacts
1	4 210 44	Set of connectors
		Padlocks for plug-in base
1	4 210 45	Key barrel and flat key N° ABA90GEL6149
1	4 210 46	Key barrel and star key N° HBA90GPS6149
1	4 210 47	Padlock accessory

Pack	Cat.Nos	Connection accessories
		High capacity cage terminals
		For Cu/Al cables, 1 x 120 mm ² for flexible cables and 1 x 150 mm ² for rigid cable and 18 mm bars
1	4 210 26	Set of 3 terminals
1	4 210 27	Set of 4 terminals
		Cage terminals
		For Cu cables, 1 x 70 mm ² for flexible cables and 1 x 95 mm ² for rigid cables and 14 mm bars
1	4 210 93	Set of 3 terminals
1	4 210 94	Set of 4 terminals
		Insulated shields (phase barriers)
1	4 210 70	Set of 36 insulated shields
		Screw terminals for bars connection
		For copper bars
1	4 210 28	Set of 3 terminals
1	4 210 29	Set of 4 terminals
		Spreaders
		For incoming bars or cable lugs
1	4 210 32	Set of 3 spreaders for DPX ³ 160 3P
1	4 210 33	Set of 4 spreaders for DPX ³ 160 4P
		Rear terminals
		Flat swivel terminals
		Used to convert a fixed version with front terminals to a fixed version with rear terminals
1	4 210 36	Set of 3 rear terminals for DPX ³ 160 3P
1	4 210 37	Set of 4 rear terminals for DPX ³ 160 4P

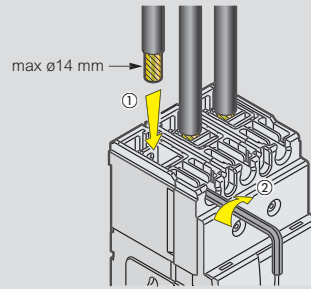
Pack	Cat.Nos	Sealable terminal shields
		For front terminals
1	4 210 54	For DPX ³ 160 3P
1	4 210 55	For DPX ³ 160 3P
		For rear terminals
1	4 210 50	For DPX ³ 160 3P
1	4 210 51	For DPX ³ 160 4P

Pack	Cat.Nos	Fixing plates
		For fixing DPX ³ 160 on rail or on plate
1	4 210 71	For DPX ³ 160 3P/4P without earth leakage module
1	4 210 73	For DPX ³ 160 4P with earth leakage module
1	4 210 68	For DPX ³ 160 3P/4P with side mounting motor operator

DPX³ 160 connection

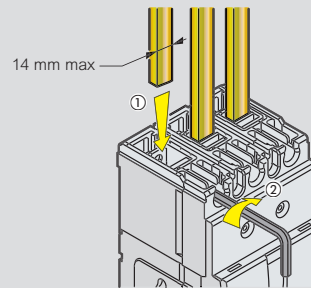
Connection

Direct connection

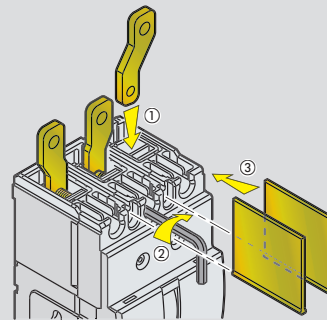


Flexible	Solid
1,5 → 70 mm ²	1,5 → 95 mm ²
#16 → #2/0 AWG	#16 → #4/0 AWG

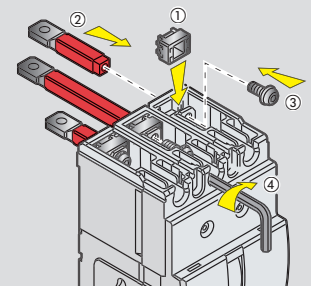
or



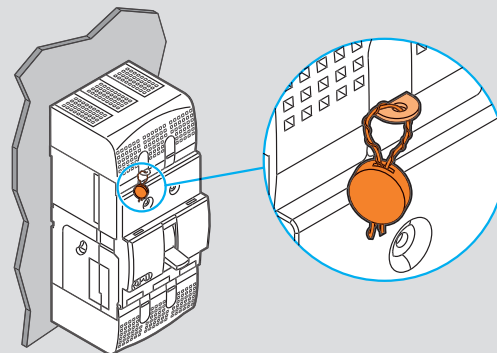
Spreaders



Rear terminals



Sealable terminal shield



DPX³ 250 thermal magnetic

MCCBs from 100 to 250 A



4 202 05



4 202 25

Dimensions **p. 55**
Electrical characteristics **see e-catalogue**

Can be mounted on rail or on plate in XL³ cabinets and enclosures
MCCBs for switching, control isolation and protection of low voltage electrical lines
Supplied with fixing screws, connection plates for bars and cable lugs and insulated shileds (phase barriers)
Can be fitted with cage terminals 120 mm² max. (flexible cable) or 150 mm² max. rigid cable (p. 37)
and with DPX³ 160 and 250 common auxiliaires and accessories (p. 38)
Conform to IEC 60947-2

Pack	Cat.Nos		MCCBs - fixed version
			Thermal adjustable from 0,8 to 1 In Magnetic adjustable from 5 to 10 In
			Breaking capacity Icu 25 kA (400 V\sim) In (A)
	3P	4P	
1	4 202 05	4 202 15	100
1	4 202 07	4 202 17	160
1	4 202 08	4 202 18	200
1	4 202 09	4 202 19	250
			Breaking capacity Icu 36 kA (400 V\sim)
1	4 202 35	4 202 45	100
1	4 202 37	4 202 47	160
1	4 202 38	4 202 48	200
1	4 202 39	4 202 49	250
			Breaking capacity Icu 50 kA (400 V\sim)
1	4 202 65	4 202 75	100
1	4 202 67	4 202 77	160
1	4 202 68	4 202 78	200
1	4 202 69	4 202 79	250
			Breaking capacity Icu 70 kA (400 V\sim)
1	4 206 05	4 206 15	100
1	4 206 07	4 206 17	160
1	4 206 08	4 206 18	200
1	4 206 09	4 206 19	250

Pack	Cat.Nos	MCCBs with electronic earth leakage module - fixed version
		Thermal adjustable from 0,8 to 1 In Magnetic adjustable from 5 to 10 In Equipped with earth leakage module with LCD screen Adjustable sensitivity: 0.03 - 0.3 - 1 - 3 A Adjustable tripping: 0 - 0.3 - 1 - 3s (with 0.03 A possible only 0s)
		Breaking capacity Icu 25 kA (400 V\sim) In (A)
	4P	
1	4 202 25	100
1	4 202 27	160
1	4 202 28	200
1	4 202 29	250
		Breaking capacity Icu 36 kA (400 V\sim)
1	4 202 55	100
1	4 202 57	160
1	4 202 58	200
1	4 202 59	250
		Breaking capacity Icu 50 kA (400 V\sim)
1	4 202 85	100
1	4 202 87	160
1	4 202 88	200
1	4 202 89	250
		Breaking capacity Icu 70 kA (400 V\sim)
1	4 206 25	100
1	4 206 27	160
1	4 206 28	200
1	4 206 29	250

DPX³ 250 electronic release

MCCBs from 40 to 250 A



4 203 69



4 203 25



Dimensions **p. 55**

Electrical characteristics **see e-catalogue**

Can be mounted on rail or on plate in XL³ cabinets and enclosures

MCCBs for switching, control isolation and protection of low voltage electrical lines

Supplied with fixing screws, connection plates for bars and cable lugs and insulated shileds (phase barriers)

Can be fitted with cage terminals 120 mm² max. (flexible cable) or 150 mm² max. rigid cable (p. 37)

and with DPX³ 160 and 250 common auxiliaires and accessories (p. 38)

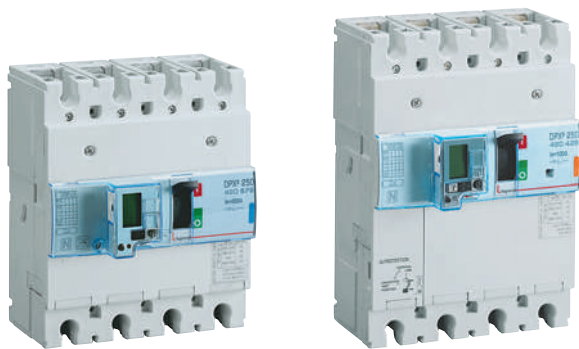
Conform to IEC 60947-2

Pack	Cat.Nos		MCCBs - fixed version
			Protection against overloads: I _r adjustable from 0.4 to 1 x I _n t _r adjustable from 3 to 15s Protection against short circuits: I _{sd} adjustable from 1.5 to 10 x I _r t _{sd} adjustable from 0 to 0.5s
			Breaking capacity I_{cu} 25 kA (400 V\sim) I _n (A)
	3P	4P	
1	4 203 02	4 203 12	40
1	4 203 05	4 203 15	100
1	4 203 07	4 203 17	160
1	4 203 09	4 203 19	250
			Breaking capacity I_{cu} 36 kA (400 V\sim)
1	4 203 32	4 203 42	40
1	4 203 35	4 203 45	100
1	4 203 37	4 203 47	160
1	4 203 39	4 203 49	250
			Breaking capacity I_{cu} 50 kA (400 V\sim)
1	4 203 62	4 203 72	40
1	4 203 65	4 203 75	100
1	4 203 67	4 203 77	160
1	4 203 69	4 203 79	250
			Breaking capacity I_{cu} 70 kA (400 V\sim)
1	4 206 35	4 206 45	40
1	4 206 37	4 206 47	100
1	4 206 38	4 206 48	160
1	4 206 39	4 206 49	250

Pack	Cat.Nos	MCCBs with electronic earth leakage module - fixed version
		Protection against overloads: I _r adjustable from 0.4 to 1 x I _n t _r adjustable from 3 to 15s Protection against short circuits: I _{sd} adjustable from 1.5 to 10 x I _r t _{sd} adjustable from 0 to 0.5s Equipped with earth leakage module with LCD screen Adjustable sensitivity: 0.03 - 0.3 - 1 - 3 A Adjustable tripping: 0 - 0.3 - 1 - 3s (with 0.03 A possible only 0s)
		Breaking capacity I_{cu} 25 kA (400 V\sim) I _n (A)
	4P	
1	4 203 22	40
1	4 203 25	100
1	4 203 27	160
1	4 203 29	250
		Breaking capacity I_{cu} 36 kA (400 V\sim)
1	4 203 52	40
1	4 203 55	100
1	4 203 57	160
1	4 203 59	250
		Breaking capacity I_{cu} 50 kA (400 V\sim)
1	4 203 82	40
1	4 203 85	100
1	4 203 87	160
1	4 203 89	250
		Breaking capacity I_{cu} 70 kA (400 V\sim)
1	4 206 55	40
1	4 206 57	100
1	4 206 58	160
1	4 206 59	250

DPX³ 250 electronic release

MCCBs from 40 to 250 A (continued)



4 206 79

4 204 25

Dimensions **p. 55**
Electrical characteristics **see e-catalogue**

Can be mounted on rail or on plate in XL³ cabinets and enclosures
MCCBs for switching, control isolation and protection of low voltage electrical lines
Supplied with fixing screws, connection plates for bars and cable lugs and insulated shields (phase barriers)
Can be fitted with cage terminals 120 mm² max. (flexible cable) or 150 mm² max. rigid cable (p. 37)
and with DPX³ 160 and 250 common auxiliaries and accessories (p. 38)
Conform to IEC 60947-2

Pack	Cat.Nos		
			MCCBs with energy metering central unit - fixed version
			Protection against overloads: I _r adjustable from 0.4 to 1 x I _n t _r adjustable from 3 to 15s Protection against short circuits: I _{sd} adjustable from 1.5 to 10 x I _r t _{sd} adjustable from 0 to 0.5s Integrated energy metering central unit with LCD screen; currents, voltage, frequency, power, energy and harmonics
			Breaking capacity I_{cu} 25 kA (400 V_~)
	3P	4P	I _n (A)
1	4 204 02	4 204 12	40
1	4 204 05	4 204 15	100
1	4 204 07	4 204 17	160
1	4 204 09	4 204 19	250
			Breaking capacity I_{cu} 36 kA (400 V_~)
1	4 204 32	4 204 42	40
1	4 204 35	4 204 45	100
1	4 204 37	4 204 47	160
1	4 204 39	4 204 49	250
			Breaking capacity I_{cu} 50 kA (400 V_~)
1	4 204 62	4 204 72	40
1	4 204 65	4 204 75	100
1	4 204 67	4 204 77	160
1	4 204 69	4 204 79	250
			Breaking capacity I_{cu} 70 kA (400 V_~)
1	4 206 65	4 206 75	40
1	4 206 67	4 206 77	100
1	4 206 68	4 206 78	160
1	4 206 69	4 206 79	250

Pack	Cat.Nos	
		MCCBs with energy metering central unit and electronic earth leakage module - fixed version
		Protection against overloads: I _r adjustable from 0.4 to 1 x I _n t _r adjustable from 3 to 15s Protection against short circuits: I _{sd} adjustable from 1.5 to 10 x I _r t _{sd} adjustable from 0 to 0.5s Equipped with earth leakage module with LCD screen Adjustable sensitivity: 0.03 - 0.3 - 1 - 3 A Adjustable tripping: 0 - 0.3 - 1 - 3s (with 0.03 A possible only 0s) Integrated energy metering central unit with LCD screen; currents, voltage, frequency, power, energy and harmonics
		Breaking capacity I_{cu} 25 kA (400 V_~)
	4P	I _n (A)
1	4 204 22	40
1	4 204 25	100
1	4 204 27	160
1	4 204 29	250
		Breaking capacity I_{cu} 36 kA (400 V_~)
1	4 204 52	40
1	4 204 55	100
1	4 204 57	160
1	4 204 59	250
		Breaking capacity I_{cu} 50 kA (400 V_~)
1	4 204 82	40
1	4 204 85	100
1	4 204 87	160
1	4 204 89	250
		Breaking capacity I_{cu} 70 kA (400 V_~)
1	4 206 85	40
1	4 206 87	100
1	4 206 88	160
1	4 206 89	250

DPX³ 250 electronic release

MCCBs from 40 to 250 A (continued)



4 205 49

Dimensions **p. 55**
Electrical characteristics **see e-catalogue**

Can be mounted on rail or on plate in XL³ cabinets and enclosures MCCBs for switching, control isolation and protection of low voltage electrical lines

Supplied with fixing screws, connection plates for bars and cable lugs and insulated shields (phase barriers)

Can be fitted with cage terminals 120 mm² max. (flexible cable) or 150 mm² max. rigid cable (p. 37) and with DPX³ 160 and 250 common auxiliaries and accessories (p. 38)

Conform to IEC 60947-2

Pack	Cat.Nos		Electronic release Sg MCCBs - fixed version
	3P	4P	
			Protection against overloads: I _r adjustable from 0.4 to 1 x I _n t _r adjustable from 3 to 15s
			Protection against short circuits: I _{sd} adjustable from 1.5 to 10 x I _r t _{sd} adjustable from 0 to 0.5s
			Protection against earth fault: I _g adjustable: from 0.2 to 1 x I _n and OFF position t _g adjustable from 0.1 to 1s
			Breaking capacity I_{cu} 25 kA (400 V\sim) I _n (A)
1	4 205 02	4 205 12	40
1	4 205 05	4 205 15	100
1	4 205 07	4 205 17	160
1	4 205 09	4 205 19	250
			Breaking capacity I_{cu} 36 kA (400 V\sim)
1	4 205 22	4 205 32	40
1	4 205 25	4 205 35	100
1	4 205 27	4 205 37	160
1	4 205 29	4 205 39	250
			Breaking capacity I_{cu} 50 kA (400 V\sim)
1	4 205 42	4 205 52	40
1	4 205 45	4 205 55	100
1	4 205 47	4 205 57	160
1	4 205 49	4 205 59	250
			Breaking capacity I_{cu} 70 kA (400 V\sim)
1	4 206 92	4 207 02	40
1	4 206 95	4 207 05	100
1	4 206 97	4 207 07	160
1	4 206 99	4 207 09	250

DPX³ 250 equipment and mounting accessories



4 210 44



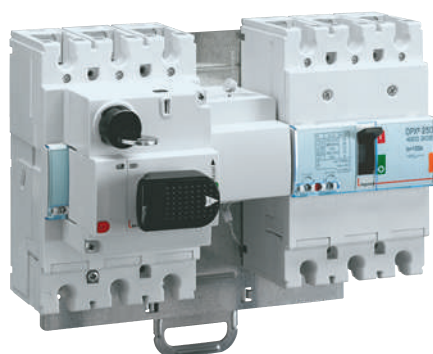
4 210 31



4 210 72

Pack	Cat.Nos	Equipment for plug-in version
		A plug-in version DPX ³ is a fixed version DPX ³ mounted on a plug-in base
		Plug-in bases for DPX³ 250
		Front or rear terminal mounting base
1	4 210 42	For DPX ³ 250 - 3P
1	4 210 43	For DPX ³ 250 - 4P with or without earth leakage module
		Connectors for auxiliary contacts
1	4 210 44	Set of connectors
		Padlocks for plug-in base
1	4 210 45	Key barrel and flat key N° ABA90GEL6149
1	4 210 46	Key barrel and star key N° HBA90GPS6149
1	4 210 47	Padlock accessory
		Connection accessories
		Cage terminals
		For Cu/Al cables, 1 x 120 mm ² for flexible cables and 1 x 150 mm ² for rigid cables and lugs 28.5 x 8 x 8.5 mm
1	4 210 30	Set of 3 terminals
1	4 210 31	Set of 4 terminals
		Screw terminals for bar connections
1	4 210 79	Set of 3 terminals
1	4 210 80	Set of 4 terminals
		Insulated shields (phase barriers)
1	4 210 70	Set of 36 insulated shields
		Spreaders
		For incoming bars or cable lugs
1	4 210 34	Set of 3 spreaders for DPX ³ 250 3P
1	4 210 35	Set of 4 spreaders for DPX ³ 250 4P
		Rear terminals
		Flat swivel terminals
		Used to convert a fixed version with front terminals to a fixed version with rear terminals
1	4 210 38	Set of 3 rear terminals for DPX ³ 250 3P
1	4 210 39	Set of 4 rear terminals for DPX ³ 250 4P
		Sealable terminal shields
		For front terminals
1	4 210 56	For DPX ³ 250 3P
1	4 210 57	For DPX ³ 250 4P
		For rear terminals
1	4 210 52	For DPX ³ 250 3P
1	4 210 53	For DPX ³ 250 4P
		Fixing plates
1	4 210 72	For fixing DPX ³ 250 on rail or on plate
1	4 210 74	For DPX ³ 250 4P without earth leakage module
1	4 210 69	For DPX ³ 250 4P with earth leakage module
		For DPX ³ 250 3P/4P with side mounting motor operator

DPX³ 160 and 250 common auxiliaries and accessories



4 210 58



4 210 00



4 210 10



4 210 11



4 210 16



4 210 22

Pack	Cat.Nos	Fixing plates for transfer switches
1	4 210 58	Plate for mounting and interlocking of 2 DPX ³ For 2 DPX ³ 160 or 2 DPX ³ 250 or 1 DPX ³ 160 and 1 DPX ³ 250
1	4 210 59	For fixed version For plug-in and draw-out version
Rotary handles		
Direct on DPX		
1	4 210 00	Standard handle for thermal magnetic DPX ³ without earth leakage module
1	4 210 01	Standard handle for electronic DPX ³ and/or with earth leakage module
1	4 210 02	Handle for emergency use for thermal magnetic DPX ³ without earth leakage module
1	4 210 03	Handle for emergency use for electronic DPX ³ and/or with earth leakage module
Vari-depth handles		
For all version of DPX ³		
1	4 210 04	Standard handle
1	4 210 05	Handle for emergency use
Locking accessories		
1	4 228 00	Key barrel and Ronis key EL43525 for direct handle
1	4 228 01	Key barrel and Ronis key EL43363 for direct handle
1	4 228 02	Key barrel and Ronis key EL43525 for vari-depth handle
1	4 228 03	Key barrel and Ronis key EL43363 for vari-depth handle
1	4 210 06	Key barrel and flat key N° ABA90GEL6149 for direct handle
1	4 210 07	Key barrel and star key N° HBA90GPS6149 for direct handle
1	4 210 08	Key barrel and flat key N° ABA90GEL6149 for vari-depth handle
1	4 210 09	Key barrel and star key N° HBA90GPS6149 for vari-depth handle
Motor-driven handles		
Motor operators 24 to 230 V~ / =		
1	4 210 60	Side motor operator
1	4 210 61	Front motor operator
Locking accessories		
1	4 210 62	Key barrel and flat key N° ABA90GEL6149 for front motor operator
1	4 210 63	Key barrel and star key N° HBA90GPS6149 for front motor operator
1	4 210 64	Padlock for front motor operator
1	4 210 65	Key barrel and flat key N° ABA90GEL6149 for side motor operator
1	4 210 66	Key barrel and star key N° HBA90GPS6149 for side motor operator
1	4 210 67	Padlock for side motor operator

Pack	Cat.Nos	Auxiliary contact or fault signal	
1	4 210 10	1 N/C + 1 N/O auxiliary contact for rotary handles	
1	4 210 11	Auxiliary contact or fault signalling contact	
1	4 210 48	Signalling contact plugged-in / drawn-out (for DPX ³ plug-in version)	
Shunt releases			
Allow remote tripping of a DPX ³ /DPX ³ -I 160 and 250			
1	4 210 12	12 V~ / =	
1	4 210 13	24 V~ / =	
1	4 210 14	48 V~ / =	
1	4 210 15	110-130 V~	
1	4 210 16	200-277 V~	
1	4 210 17	380-480 V~	
Undervoltage releases			
Allow remote tripping of a DPX ³ /DPX ³ -I 160 and 250			
1	4 210 18	12 V~ / =	
1	4 210 19	24 V~ / =	
1	4 210 20	48 V~ / =	
1	4 210 21	110-130 V~ / =	
1	4 210 22	200-240 V~	
1	4 210 23	277 V~	
1	4 210 24	380-415 V~	
1	4 210 25	440-480 V~	
Time lag (800 ms) undervoltage release			
Allow remote tripping of a DPX ³ /DPX ³ -I 160 and 250 Prevents false tripping in the event of power supply microbreaks			
Time-lag modules			
1	0 261 90	230 V~	Number of modules 3
1	0 261 91	400 V~	3
Release			
To be equipped with a time-lag module Cat.Nos 0 261 90/91			
1	4 210 98	For DPX ³ /DPX ³ -I 160 and 250	
Locking accessory			
1	4 210 49	Padlock for locking in "open" position	

Automatic transfer switch control units
p. 53

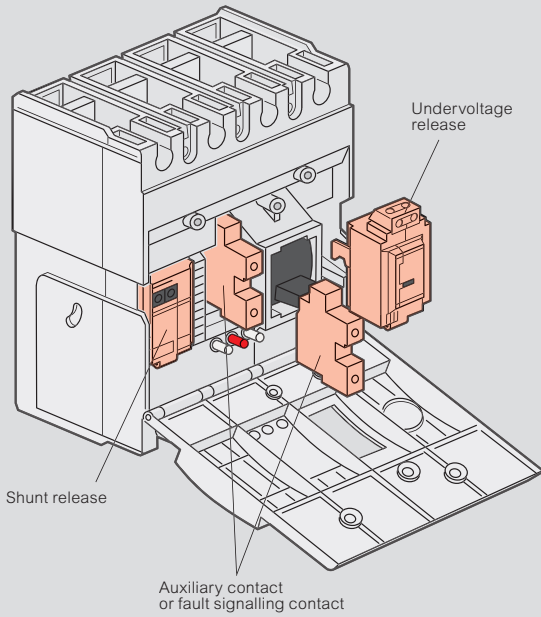


RS 485 communication interface
p. 50

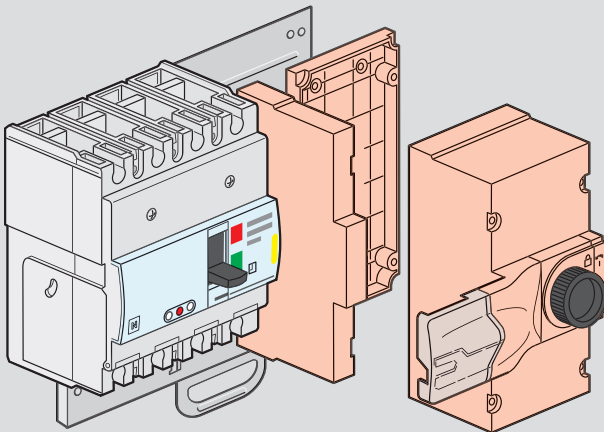
DPX³ 160/250

installation principle

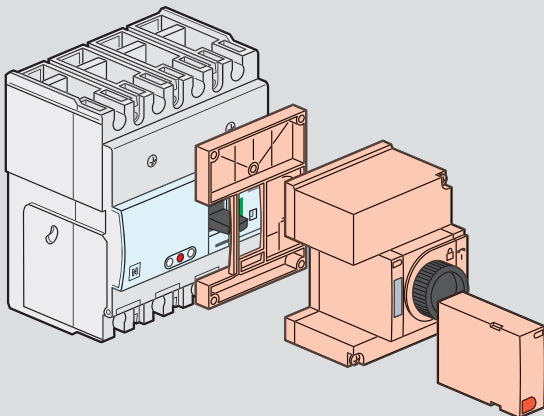
Auxiliaries mounting



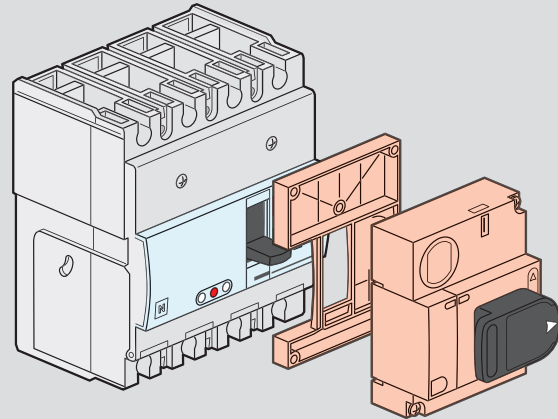
Side mounting motor-driven handle



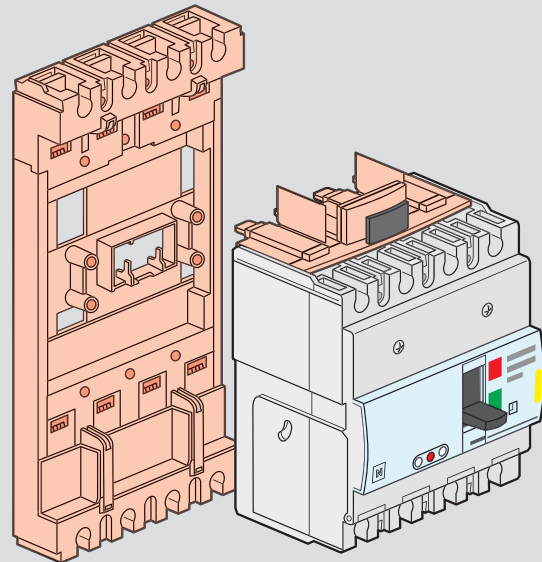
Front mounting motor-driven handle



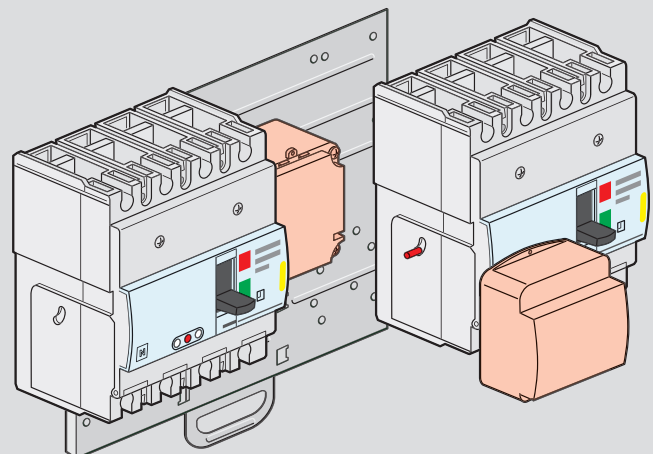
Direct rotary handle



Plug-in version



Fixing plate for transfer switches



DPX³ 630

thermal magnetic release MCCBs from 250 to 630 A



4 220 02



4 220 07

Dimensions **p. 58**
Electrical characteristics **see e-catalogue**

Moulded case MCCBs for switching, control isolation and protection of low voltage electrical lines

Can be fitted with auxiliaries (p. 50)

Can be used with earth leakage modules (p. 44) or with residual current relays (p. 51)

Supplied complete with:

- fixing screws
- connection plates for bars
- insulated shields (phase barriers)

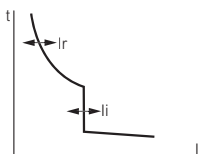
Conform to IEC 60947-2 - Sealable adjustment

Can be mounted on plate in XL³ cabinets and enclosures

Pack	Cat.Nos		In (A)
	3P	4P	
1	4 220 00	4 220 05	250
1	4 220 01	4 220 06	320
1	4 220 02	4 220 07	400
1	4 220 03	4 220 08	500
1	4 220 04	4 220 09	630
	3P + N/2		
1	4 220 10		320
1	4 220 11		400
1	4 220 12		500
1	4 220 13		630
	3P		
1	4 220 14	4 220 19	250
1	4 220 15	4 220 20	320
1	4 220 16	4 220 21	400
1	4 220 17	4 220 22	500
1	4 220 18	4 220 23	630
	3P + N/2		
1	4 220 24		320
1	4 220 25		400
1	4 220 26		500
1	4 220 27		630

MCCBs thermal magnetic release - fixed version

Thermal adjustable from 0.8 to 1 In
Magnetic adjustable from 5 to 10 In



Breaking capacity Icu 36 kA (400 V~)

Pack	Cat.Nos		In (A)
1	4 220 28	4 220 33	250
1	4 220 29	4 220 34	320
1	4 220 30	4 220 35	400
1	4 220 31	4 220 36	500
1	4 220 32	4 220 37	630
	3P + N/2		
1	4 220 38		320
1	4 220 39		400
1	4 220 40		500
1	4 220 41		630

Breaking capacity Icu 50 kA (400 V~)

Pack	Cat.Nos		In (A)
1	4 220 42	4 220 47	250
1	4 220 43	4 220 48	320
1	4 220 44	4 220 49	400
1	4 220 45	4 220 50	500
1	4 220 46	4 220 51	630
	3P + N/2		
1	4 220 52		320
1	4 220 53		400
1	4 220 54		500
1	4 220 55		630

Pack	Cat.Nos		In (A)
	3P	4P	
1	4 220 28	4 220 33	250
1	4 220 29	4 220 34	320
1	4 220 30	4 220 35	400
1	4 220 31	4 220 36	500
1	4 220 32	4 220 37	630
	3P + N/2		
1	4 220 38		320
1	4 220 39		400
1	4 220 40		500
1	4 220 41		630
	3P		
1	4 220 42	4 220 47	250
1	4 220 43	4 220 48	320
1	4 220 44	4 220 49	400
1	4 220 45	4 220 50	500
1	4 220 46	4 220 51	630
	3P + N/2		
1	4 220 52		320
1	4 220 53		400
1	4 220 54		500
1	4 220 55		630

MCCBs thermal magnetic release - fixed version (continued)

Breaking capacity Icu 70 kA (400 V~)

Pack	Cat.Nos		In (A)
1	4 220 28	4 220 33	250
1	4 220 29	4 220 34	320
1	4 220 30	4 220 35	400
1	4 220 31	4 220 36	500
1	4 220 32	4 220 37	630
	3P + N/2		
1	4 220 38		320
1	4 220 39		400
1	4 220 40		500
1	4 220 41		630

Breaking capacity Icu 100 kA (400 V~)

Pack	Cat.Nos		In (A)
1	4 220 42	4 220 47	250
1	4 220 43	4 220 48	320
1	4 220 44	4 220 49	400
1	4 220 45	4 220 50	500
1	4 220 46	4 220 51	630
	3P + N/2		
1	4 220 52		320
1	4 220 53		400
1	4 220 54		500
1	4 220 55		630

DPX³ 630

S1 electronic release MCCBs from 250 to 630 A



4 225 15

Dimensions **p. 58-59**
Electrical characteristics **see e-catalogue**

Moulded case MCCBs for switching, control isolation and protection of low voltage electrical lines
Can be fitted with auxiliaries (p. 50)
Can be used with earth leakage modules (p. 44) or with residual current relays (p. 155)
Do not accept DPX³ electronic interface for Modbus Cat.No 4 210 75 (p. 50)
Supplied complete with:
- fixing screws
- connection plates for bars
- insulated shields (phase barriers)
Conform to IEC 60947-2 - Sealable adjustment
Can be mounted on plate in XL³ cabinets and enclosures

Pack	Cat.Nos		MCCBs electronic release S1 - fixed version
	3P	4P	
			Breaking capacity I_{cu} 36 kA (400 V~)
			I _n (A)
1	4 224 98	4 225 03	250
1	4 224 99	4 225 04	320
1	4 225 00	4 225 05	400
1	4 225 01	4 225 06	500
1	4 225 02	4 225 07	630
			Breaking capacity I_{cu} 50 kA (400 V~)
1	4 225 08	4 225 13	250
1	4 225 09	4 225 14	320
1	4 225 10	4 225 15	400
1	4 225 11	4 225 16	500
1	4 225 12	4 225 17	630
			Breaking capacity I_{cu} 70 kA (400 V~)
1	4 225 18	4 225 23	250
1	4 225 19	4 225 24	320
1	4 225 20	4 225 25	400
1	4 225 21	4 225 26	500
1	4 225 22	4 225 27	630
			Breaking capacity I_{cu} 100 kA (400 V~)
1	4 225 28	4 225 33	250
1	4 225 29	4 225 34	320
1	4 225 30	4 225 35	400
1	4 225 31	4 225 36	500
1	4 225 32	4 225 37	630

For DPX 630 electronic release S1
Please, consult us

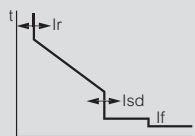


DPX³ 630/1600

electronic release

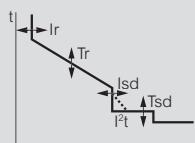
Performance data

S1 - Adjustment of I_r, I_{sd}



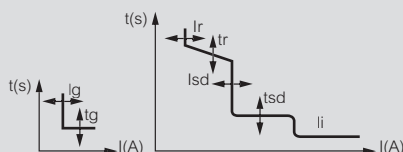
Protection against overloads:
- I_r adjustable from 0.4 to 1 x I_n
Protection against short circuits:
- I_{sd} adjustable from 1.5 to 10 x I_r
Instantaneous protection I_f = 5 kA

S2 - Adjustment of I_r, t_r, I_{sd}, t_{sd}



Protection against overloads:
- I_r adjustable from 0.4 to 1 x I_n
- t_r adjustable from 3 to 15 s
Protection against short circuits:
- I_{sd} adjustable from 1.5 to 10 x I_r
- t_{sd} adjustable from 0 to 0.5 s

Sg - Adjustment of I_r, t_r, I_{sd}, t_{sd}, I_g, t_g



Protection against overloads:
- I_r adjustable from 0.4 to 1 x I_n
- t_r adjustable from 3 to 15 s
Protection against short circuits:
- I_{sd} adjustable from 1.5 to 10 x I_r
- t_{sd} adjustable from 0 to 0.5 s
Protection against earth fault:
- I_g adjustable: from 0.2 to 1 x I_n and OFF position
- t_g adjustable from 0.1 to 1 s

DPX³ 630

S2 electronic release MCCBs from 250 to 630 A



4 220 60



4 220 65

Dimensions **p. 58-59**
 Electrical characteristics **see e-catalogue**

Moulded case MCCBs for switching, control isolation and protection of low voltage electrical lines

Can be fitted with auxiliaries (p. 50)

Can be used with earth leakage modules (p. 44) or with residual current relays (p. 51)

Supplied complete with:

- fixing screws
- connection plates for bars
- insulated shields (phase barriers)

Conform to IEC 60947-2 - Sealable adjustment

Can be mounted on plate in XL³ cabinets and enclosures

Pack	Cat.Nos		MCCBs electronic release S2 - fixed version
			Breaking capacity I_{cu} 36 kA (400 V~)
	3P	4P	I_n (A)
1	4 220 56	4 220 61	250
1	4 220 57	4 220 62	320
1	4 220 58	4 220 63	400
1	4 220 59	4 220 64	500
1	4 220 60	4 220 65	630
			Breaking capacity I_{cu} 50 kA (400 V~)
1	4 220 66	4 220 71	250
1	4 220 67	4 220 72	320
1	4 220 68	4 220 73	400
1	4 220 69	4 220 74	500
1	4 220 70	4 220 75	630
			Breaking capacity I_{cu} 70 kA (400 V~)
1	4 220 76	4 220 81	250
1	4 220 77	4 220 82	320
1	4 220 78	4 220 83	400
1	4 220 79	4 220 84	500
1	4 220 80	4 220 85	630
			Breaking capacity I_{cu} 100 kA (400 V~)
1	4 220 86	4 220 91	250
1	4 220 87	4 220 92	320
1	4 220 88	4 220 93	400
1	4 220 89	4 220 94	500
1	4 220 90	4 220 95	630

Pack	Cat.Nos		MCCBs electronic release S2 with energy metering central unit - fixed version
			Breaking capacity I_{cu} 36 kA (400 V~)
	3P	4P	I_n (A)
1	4 220 96	4 221 01	250
1	4 220 97	4 221 02	320
1	4 220 98	4 221 03	400
1	4 220 99	4 221 04	500
1	4 221 00	4 221 05	630
			Breaking capacity I_{cu} 50 kA (400 V~)
1	4 221 06	4 221 11	250
1	4 221 07	4 221 12	320
1	4 221 08	4 221 13	400
1	4 221 09	4 221 14	500
1	4 221 10	4 221 15	630
			Breaking capacity I_{cu} 70 kA (400 V~)
1	4 221 16	4 221 21	250
1	4 221 17	4 221 22	320
1	4 221 18	4 221 23	400
1	4 221 19	4 221 24	500
1	4 221 20	4 221 25	630
			Breaking capacity I_{cu} 100 kA (400 V~)
1	4 221 26	4 221 31	250
1	4 221 27	4 221 32	320
1	4 221 28	4 221 33	400
1	4 221 29	4 221 34	500
1	4 221 30	4 221 35	630

DPX³ 630

Sg electronic release MCCBs from 250 to 630 A



4 221 38



4 221 43

Dimensions **p. 58-59**
 Electrical characteristics **see e-catalogue**

Moulded case MCCBs for switching, control isolation and protection of low voltage electrical lines
 Can be fitted with auxiliaries (p. 50)

Can be used with earth leakage modules (p. 44) or with residual current relays (p. 51)

Supplied complete with:

- fixing screws
- connection plates for bars
- insulated shields (phase barriers)

Conform to IEC 60947-2 - Sealable adjustment

Can be mounted on plate in XL³ cabinets and enclosures

Pack	Cat.Nos		In (A)
	3P	4P	
			MCCBs electronic release Sg - fixed version
			Adjustment of I _r , I _{sd} , I _g , t _r , t _{sd} , t _g (p. 41) Instantaneous protection I _f = 5 kA Green indicator lamp Connector for test unit Logic and dynamic selectivity 4P version: adjustment of neutral on front panel
			Breaking capacity I_{cu} 36 kA (400 V~)
1	4 221 36	4 221 41	250
1	4 221 37	4 221 42	320
1	4 221 38	4 221 43	400
1	4 221 39	4 221 44	500
1	4 221 40	4 221 45	630
			Breaking capacity I_{cu} 50 kA (400 V~)
1	4 221 46	4 221 51	250
1	4 221 47	4 221 52	320
1	4 221 48	4 221 53	400
1	4 221 49	4 221 54	500
1	4 221 50	4 221 55	630
			Breaking capacity I_{cu} 70 kA (400 V~)
1	4 221 56	4 221 61	250
1	4 221 57	4 221 62	320
1	4 221 58	4 221 63	400
1	4 221 59	4 221 64	500
1	4 221 60	4 221 65	630
			Breaking capacity I_{cu} 100 kA (400 V~)
1	4 221 66	4 221 71	250
1	4 221 67	4 221 72	320
1	4 221 68	4 221 73	400
1	4 221 69	4 221 74	500
1	4 221 70	4 221 75	630

Pack	Cat.Nos		In (A)
	3P	4P	
			MCCBs electronic release Sg with energy metering central unit - fixed version
			Adjustment of I _r , I _{sd} , I _g , t _r , t _{sd} , t _g (p. 41) Instantaneous protection I _f = 5 kA Green indicator lamp Connector for test unit Logic and dynamic selectivity 4P version: adjustment of neutral on front panel
			Breaking capacity I_{cu} 36 kA (400 V~)
1	4 221 76	4 221 81	250
1	4 221 77	4 221 82	320
1	4 221 78	4 221 83	400
1	4 221 79	4 221 84	500
1	4 221 80	4 221 85	630
			Breaking capacity I_{cu} 50 kA (400 V~)
1	4 221 86	4 221 91	250
1	4 221 87	4 221 92	320
1	4 221 88	4 221 93	400
1	4 221 89	4 221 94	500
1	4 221 90	4 221 95	630
			Breaking capacity I_{cu} 70 kA (400 V~)
1	4 221 96	4 222 01	250
1	4 221 97	4 222 02	320
1	4 221 98	4 222 03	400
1	4 221 99	4 222 04	500
1	4 222 00	4 222 05	630
			Breaking capacity I_{cu} 100 kA (400 V~)
1	4 222 06	4 222 11	250
1	4 222 07	4 222 12	320
1	4 222 08	4 222 13	400
1	4 222 09	4 222 14	500
1	4 222 10	4 222 15	630

DPX³ 630

earth leakage modules



0 260 63

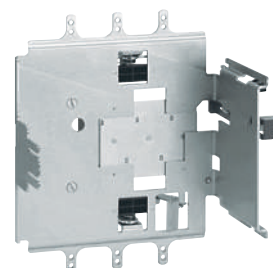
Pack	Cat.Nos		Earth leakage modules
			Can be fitted onto DPX ³ /DPX ³ -I 630 Adjustable, sealable sensitivity: 0.03 - 0.3 - 1 - 3 A Adjustable, time delay: 0 - 0.3 - 1 - 3 s Test push-button Reset push-button Remote earth fault signalling contact Switch for mechanical tests (installation insulation test) Mounted underneath 230-500 V~
			Standard
			In (A)
1	3P 0 260 60	4P 0 260 61	400
1	0 260 64	0 260 65	630
			LED version
			Monitors the isolation state of the installation via a series of LEDs
			In (A)
1	4P 0 260 63		400
1	0 260 67		630

DPX³ 630

equipment and accessories



4 222 22



4 222 32

Pack	Cat.Nos		Plug-in version
			A plug-in is a DPX ³ fitted with special terminals and mounted on a plug-in base
			Special terminals for plug-in/draw-out base
			Set of incoming and outgoing terminals (6 terminals for 3P DPX ³ or 8 terminals for 4P DPX ³)
			Bases for DPX³ only
			Accept DPX ³ /DPX ³ -I fitted with special terminals
			Front terminal mounting base
			Flat rear terminal mounting base
			Bases for DPX³ with earth leakage module
			Front terminal mounting base
			Flat rear terminal mounting base
			Accessories
			Set of 2 extractor handle
			Set of connectors (24-pin)
			Draw-out version
			A DPX ³ draw-out version is a plug-in DPX ³ fitted with a "Debro-lift" mechanism which can be used to withdraw the DPX ³ while keeping it on its base
			"Debro-lift" mechanism
			Supplied with a rigid slide and handle for drawing-out
			For DPX ³ base only
			For DPX ³ base with earth leakage module
			Key-lock for "Debro-lift" mechanism
			Enable locking of DPX ³ in drawn-out position
			Flat key n°HBA90GPS6149
			Star key n°ABA90GEL6149
			One key for DPX ³ only
			One key for motorised DPX ³ or with rotary handle
			Accessories for "Debro-lift" mechanism
			Handle for drawing-out
			Signalling contact (plugged-in/drawn-out)
			Auxiliary contacts
			Automatic auxiliary contacts for DPX ³ draw-out version (up to 2 contacts by DPX ³)
			Plates for transfer switches
			Factory assembled
			A transfer switch plate is composed of one plate with interlock for 2 devices
			Plate for MCCB or trip-free switch fixed version
			Plate for MCCB or trip-free switch plug-in and draw-out version

For the old range of accessories for DPX 630 plug-in and draw-out versions
Please, consult us

Automatic transfer switch control units
p. 53



DPX³ 630

equipment and accessories (continued)



0 261 40



0 262 50



0 262 48

Pack	Cat.Nos	Rotary handles
1	0 262 41	Direct on DPX³
1	4 222 38	Standard (grey) For emergency use (red/yellow) - can be fitted on Cat.Nos 0 262 22, 0 262 41 or 0 262 81
		Vari-depth handle IP 55
		Comprising: connection rod, bracket, self-adhesive drilling template, mounting accessories and door lock mechanism
1	0 262 81	Standard (grey)
1	0 262 82	For emergency use (red/yellow) can be fitted on Cat.Nos 0 262 81 or 0 262 41
		Locking accessories
		For vary-depth handle
1	4 228 04	Key barrel and Ronis key EL43525
1	4 228 05	Key barrel and Ronis key EL43363
1	0 262 93	Key barrel and flat key N° ABA90GEL6149
1	0 262 94	Key barrel and star key N° HBA90GPS6149
		Motor-driven handles
		Front operated
1	0 261 40	24 V~ / =
1	0 261 41	48 V~ / =
1	0 261 44	230 V~
		Accessories
1	0 261 59	Lock and flat key N° ABA90GEL6149
1	0 261 58	Lock and star key N° HBA90GPS6149

Pack	Cat.Nos	Accessories
1	0 262 30	Insulated shields (phase barriers) Set of 3
1	0 262 44 0 262 45	Sealable terminal shields Set of 2 3P 4P
1	0 262 40	Padlock For locking in "OPEN" position
1	0 262 50	Cage terminals Set of 4 terminals for cable 300 mm ² max. (rigid) or 240 mm ² max. (flexible)
1	0 262 51	Set of 4 high-capacity terminals for cable 2 x 240 mm ² (rigid) or 2 x 185 mm ² (flexible)
1	0 262 46	Adaptor for lug For connecting bare cables with wide lugs Set of 4 adaptors + insulated shields
1	0 262 47	Extended front terminals Set of 4
1	0 262 48 0 262 49	Spreaders Set of incoming or outgoing spreaders 3P 4P
1	0 263 52 0 263 53	Rear terminals Used to convert the fixed version with front terminals to the fixed version with rear terminals Set of incoming or outgoing flat terminals
1	4 222 34 4 222 35	IP 20 terminal covers Set of 2 terminal covers

DPX³ 1600

thermal magnetic release MCCBs from 630 to 1250 A



4 222 78

4 222 83

Dimensions **p. 60-61**
Electrical characteristics **see e-catalogue**

Moulded case MCCBs for switching, control isolation and protection of low voltage electrical lines
Can be fitted with auxiliaries (p. 50)
Can be used with residual current relays (p. 51)
Supplied complete with:
- connection plates for bars
- insulated shields (phase barriers)
Conform to IEC 60947-2 - Sealable adjustment
Can be mounted on plate in XL³ cabinets and enclosures

Pack	Cat.Nos		
			MCCBs thermal magnetic release fixed version
			Thermal adjustable from 0.8 to 1 In Magnetic adjustable from 5 to 10 In
			Breaking capacity Icu 36 kA (400 V~)
	3P	4P	In (A)
1	4 222 51	4 222 56	630
1	4 222 52	4 222 57	800
1	4 222 53	4 222 58	1000
1	4 222 54	4 222 59	1250
	3P + N/2		
1	4 222 60		1000
1	4 222 61		1250
			Breaking capacity Icu 50 kA (400 V~)
	3P	4P	In (A)
1	4 222 63	4 222 68	630
1	4 222 64	4 222 69	800
1	4 222 65	4 222 70	1000
1	4 222 66	4 222 71	1250
	3P + N/2		
1	4 222 72		1000
1	4 222 73		1250
			Breaking capacity Icu 70 kA (400 V~)
	3P	4P	In (A)
1	4 222 75	4 222 80	630
1	4 222 76	4 222 81	800
1	4 222 77	4 222 82	1000
1	4 222 78	4 222 83	1250
	3P + N/2		
1	4 222 84		1000
1	4 222 85		1250
			Breaking capacity Icu 100 kA (400 V~)
	3P	4P	In (A)
1	4 222 87	4 222 92	630
1	4 222 88	4 222 93	800
1	4 222 89	4 222 94	1000
1	4 222 90	4 222 95	1250
	3P + N/2		
1	4 222 96		1000
1	4 222 97		1250

DPX³ 1600

S1 electronic release MCCBs from 630 to 1600 A



4 225 59

Dimensions **p. 60-61**
Electrical characteristics **see e-catalogue**

Moulded case MCCBs for switching, control isolation and protection of low voltage electrical lines
Can be fitted with auxiliaries (p. 50)
Can be used with residual current relays (p. 51)
Do not accept DPX³ electronic interface for Modbus Cat.No 4 210 75 (p. 50)
Supplied complete with:
- connection plates for bars
- insulated shields (phase barriers)
Conform to IEC 60947-2 - Sealable adjustment
Can be mounted on plate in XL³ cabinets and enclosures

Pack	Cat.Nos		
			MCCBs electronic release S1 fixed version
			Adjustment of Ir, I _{sd} (p. 41) Instantaneous protection I _f = 20 kA Green indicator lamp Connector for test unit Dynamic selectivity 4P version: adjustment of neutral on front panel
			Breaking capacity Icu 36 kA (400 V~)
	3P	4P	In (A)
1	4 225 39	4 225 45	630
1	4 225 40	4 225 46	800
1	4 225 41	4 225 47	1000
1	4 225 42	4 225 48	1250
1	4 225 43	4 225 49	1600
			Breaking capacity Icu 50 kA (400 V~)
1	4 225 51	4 225 57	630
1	4 225 52	4 225 58	800
1	4 225 53	4 225 59	1000
1	4 225 54	4 225 60	1250
1	4 225 55	4 225 61	1600
			Breaking capacity Icu 70 kA (400 V~)
1	4 225 63	4 225 69	630
1	4 225 64	4 225 70	800
1	4 225 65	4 225 71	1000
1	4 225 66	4 225 72	1250
1	4 225 67	4 225 73	1600
			Breaking capacity Icu 100 kA (400 V~)
1	4 225 75	4 225 81	630
1	4 225 76	4 225 82	800
1	4 225 77	4 225 83	1000
1	4 225 78	4 225 84	1250

For DPX 1600 electronic release S1
Please, consult us



DPX³ 1600

S2 electronic release MCCBs from 630 to 1600 A



4 223 27



4 223 33

Dimensions **p. 60-61**
 Electrical characteristics **see e-catalogue**

Moulded case MCCBs for switching, control isolation and protection of low voltage electrical lines

Can be fitted with auxiliaries (p. 50)

Can be used with residual current relays (p. 51)

Supplied complete with:

- connection plates for bars

- insulated shields (phase barriers)

Conform to IEC 60947-2 - Sealable adjustment

Can be mounted on plate in XL³ cabinets and enclosures

Pack	Cat.Nos		
			MCCBs electronic release S2 fixed version
			Adjustment of I_r , I_{sd} , t_r , t_{sd} (p. 41) Instantaneous protection $I_f = 20$ kA Green indicator lamp Connector for test unit Logic and dynamic selectivity 4P version: adjustment of neutral on front panel
			Breaking capacity I_{cu} 36 kA (400 V\sim)
	3P	4P	I_n (A)
1	4 222 99	4 223 05	630
1	4 223 00	4 223 06	800
1	4 223 01	4 223 07	1000
1	4 223 02	4 223 08	1250
1	4 223 03	4 223 09	1600
			Breaking capacity I_{cu} 50 kA (400 V\sim)
1	4 223 11	4 223 17	630
1	4 223 12	4 223 18	800
1	4 223 13	4 223 19	1000
1	4 223 14	4 223 20	1250
1	4 223 15	4 223 21	1600
			Breaking capacity I_{cu} 70 kA (400 V\sim)
1	4 223 23	4 223 29	630
1	4 223 24	4 223 30	800
1	4 223 25	4 223 31	1000
1	4 223 26	4 223 32	1250
1	4 223 27	4 223 33	1600
			Breaking capacity I_{cu} 100 kA (400 V\sim)
1	4 223 35	4 223 41	630
1	4 223 36	4 223 42	800
1	4 223 37	4 223 43	1000
1	4 223 38	4 223 44	1250

Pack	Cat.Nos		
			MCCBs electronic release S2 with energy metering central unit fixed version
			Adjustment of I_r , I_{sd} , t_r , t_{sd} (p. 41) Instantaneous protection $I_f = 20$ kA Green indicator lamp Connector for test unit Logic and dynamic selectivity 4P version: adjustment of neutral on front panel
			Breaking capacity I_{cu} 36 kA (400 V\sim)
	3P	4P	I_n (A)
1	4 223 47	4 223 53	630
1	4 223 48	4 223 54	800
1	4 223 49	4 223 55	1000
1	4 223 50	4 223 56	1250
1	4 223 51	4 223 57	1600
			Breaking capacity I_{cu} 50 kA (400 V\sim)
1	4 223 59	4 223 65	630
1	4 223 60	4 223 66	800
1	4 223 61	4 223 67	1000
1	4 223 62	4 223 68	1250
1	4 223 63	4 223 69	1600
			Breaking capacity I_{cu} 70 kA (400 V\sim)
1	4 223 71	4 223 77	630
1	4 223 72	4 223 78	800
1	4 223 73	4 223 79	1000
1	4 223 74	4 223 80	1250
1	4 223 75	4 223 81	1600
			Breaking capacity I_{cu} 100 kA (400 V\sim)
1	4 223 83	4 223 89	630
1	4 223 84	4 223 90	800
1	4 223 85	4 223 91	1000
1	4 223 86	4 223 92	1250

DPX³ 1600

Sg electronic release MCCBs from 630 to 1600 A



4 224 23

4 224 29

Dimensions **p. 60-61**
 Electrical characteristics **see e-catalogue**

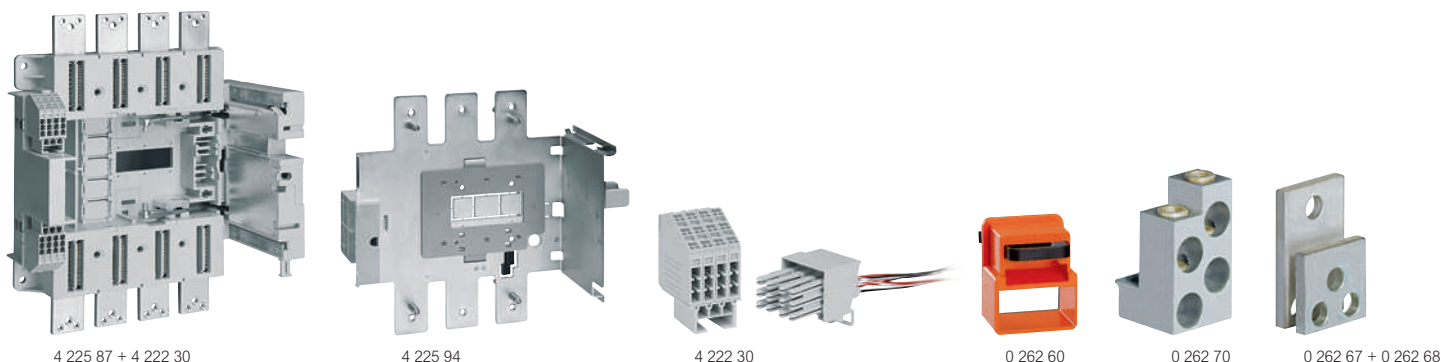
Moulded case MCCBs for switching, control isolation and protection of low voltage electrical lines
 Can be fitted with auxiliaries (p. 50)
 Can be used with residual current relays (p. 51)
 Supplied complete with:
 - connection plates for bars
 - insulated shields (phase barriers)
 Conform to IEC 60947-2 - Sealable adjustment
 Can be mounted on plate in XL³ cabinets and enclosures

Pack	Cat.Nos		
			MCCBs electronic release Sg fixed version
			Adjustment of I_r , I_{sd} , I_g , t_r , t_{sd} , t_g (p. 41) Instantaneous protection $I_f = 20$ kA Green indicator lamp Connector for test unit Logic and dynamic selectivity 4P version: adjustment of neutral on front panel
			Breaking capacity Icu 36 kA (400 V~)
	3P	4P	I_n (A)
1	4 223 95	4 224 01	630
1	4 223 96	4 224 02	800
1	4 223 97	4 224 03	1000
1	4 223 98	4 224 04	1250
1	4 223 99	4 224 05	1600
			Breaking capacity Icu 50 kA (400 V~)
1	4 224 07	4 224 13	630
1	4 224 08	4 224 14	800
1	4 224 09	4 224 15	1000
1	4 224 10	4 224 16	1250
1	4 224 11	4 224 17	1600
			Breaking capacity Icu 70 kA (400 V~)
1	4 224 19	4 224 25	630
1	4 224 20	4 224 26	800
1	4 224 21	4 224 27	1000
1	4 224 22	4 224 28	1250
1	4 224 23	4 224 29	1600
			Breaking capacity Icu 100 kA (400 V~)
1	4 224 31	4 224 37	630
1	4 224 32	4 224 38	800
1	4 224 33	4 224 39	1000
1	4 224 34	4 224 40	1250

Pack	Cat.Nos		
			MCCBs electronic release Sg with energy metering central unit fixed version
			Adjustment of I_r , I_{sd} , I_g , t_r , t_{sd} , t_g (p. 41) Instantaneous protection $I_f = 20$ kA Green indicator lamp Connector for test unit Logic and dynamic selectivity 4P version: adjustment of neutral on front panel
			Breaking capacity Icu 36 kA (400 V~)
	3P	4P	I_n (A)
1	4 224 43	4 224 49	630
1	4 224 44	4 224 50	800
1	4 224 45	4 224 51	1000
1	4 224 46	4 224 52	1250
1	4 224 47	4 224 53	1600
			Breaking capacity Icu 50 kA (400 V~)
1	4 224 55	4 224 61	630
1	4 224 56	4 224 62	800
1	4 224 57	4 224 63	1000
1	4 224 58	4 224 64	1250
1	4 224 59	4 224 65	1600
			Breaking capacity Icu 70 kA (400 V~)
1	4 224 67	4 224 73	630
1	4 224 68	4 224 74	800
1	4 224 69	4 224 75	1000
1	4 224 70	4 224 76	1250
1	4 224 71	4 224 77	1600
			Breaking capacity Icu 100 kA (400 V~)
1	4 224 79	4 224 85	630
1	4 224 80	4 224 86	800
1	4 224 81	4 224 87	1000
1	4 224 82	4 224 88	1250

DPX³ 1600

equipment and accessories



Pack	Cat.Nos	Draw-out version	Pack	Cat.Nos	Motor-driven handles
		A DPX ³ draw-out version is a DPX ³ fitted with draw-out base and a "Debro-lift" mechanism which can be used to withdraw the DPX ³ while keeping it on its base			Factory assembled Front operated 230 V~
		Draw-out base For DPX ³ 1600 equipped with "Debro-lift" mechanism Cat.No 4 225 93 or 4 225 94			Customer assembled Front operated
1	3P 4P 4 225 86 4 225 87	Front terminals	1	0 261 24	24 V~ / = for In ≤ 1250 A
1	4 225 88 4 225 89	Rear terminals	1	0 261 25	48 V~ / = for In ≤ 1250 A
		Debro-lift mechanism For DPX ³ 1600 To be fitted on a DPX ³ 1600 fixed version in order to obtain the movable part of a draw-out circuit breaker	1	0 261 26	110 V~ / = for In ≤ 1250 A
1	4 225 93 4 225 94	Key-lock for "Debro-lift" mechanism Enable locking of DPX ³ in drawn-out position Flat key n°HBA90GPS6149 Star key n°ABA90GEL6149	1	0 261 23	230 V~ / = for In ≤ 1250 A
		One key for DPX ³ only	1	0 261 19	24 V~ / = for In = 1600 A
1	Flat key Star key 0 265 76 0 263 48	Accessories for "Debro-lift" mechanism Handle for drawing-out	1	0 261 28	48 V~ / = for In = 1600 A
1	0 265 80 0 265 79	Signalling contact (plugged-in/drawn-out)	1	0 261 29	110 V~ / = for In = 1600 A
		Auxiliary contacts Automatic auxiliary contacts for DPX ³ draw-out version (up to 2 contacts by DPX ³)	1	0 261 27	230 V~ / = for In = 1600 A
1	0 265 75				Locking accessories Key and flat key N° ABA90GEL6149 Key and star key N° HBA90GPS6149
1	0 265 74		1	0 261 59	
		Plates for transfer switches A transfer switch plate is composed of one plate with interlock for 2 devices			Accessories
1	0 264 10	Plate for MCCBs or trip-free switch fixed version			Insulated shields (phase barriers) Used to isolate the connections between each pole Set of 3
1	0 264 05	Plate for MCCBs or trip-free switch plug-in and draw-out version	1	0 262 66	
		Rotary handles			Sealable terminal shields Set of 2
1	0 262 61	Direct on DPX³ Standard (black)	1	3P 4P 0 262 64 0 262 65	
		Vari-depth handle IP 55 Comprising: connection rod, bracket, self-adhesive drilling template, mounting accessories and door lock mechanism	1	0 262 60	Padlock For locking in "open" position
1	0 262 83	Standard (black)	1	0 262 69	Cage terminals Set of 1 terminal for cables without lug 2 x 240 mm ² for rigid cable or 2 x 185 mm ² for flexible cable
1	0 262 84	For emergency use (red/yellow)	1	0 262 70	Set of 1 high-capacity terminal for cables without lug 4 x 240 mm ² for rigid cable 4 x 185 mm ² for flexible cable
		Locking accessories Key barrel and flat key N° ABA90GEL6149 Key barrel and star key N° HBA90GPS6149	1	0 262 67	Extended front terminals Set of 4 Short terminals for 630 - 1250 A (2 bars max. per pole)
1	0 262 93		1	0 262 68	Long terminals for 1600 A (3 bars max. per pole)
1	0 262 94				Spreaders Set of incoming or outgoing spreaders
			1	3P 4P 0 262 73 0 262 74	Rear terminals Used to convert the fixed version with front terminals to the fixed version with rear terminals Set of incoming or outgoing rear terminals
			1	0 263 80 0 263 82	Short terminals
			1	0 263 81 0 263 83	Long terminals
			1	4 225 90 4 225 91	IP 20 terminal covers Set of 2 terminal covers
			1	4 225 92	External neutral External neutral

For the old range of accessories for DPX 1600 draw-out version
Please, consult us

Residual current relay and coils



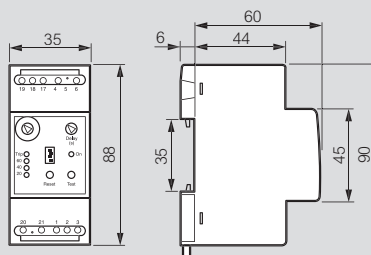
Add residual current protection to DPX³ trip-free switches and DPX³ MCCBs equipped with release

Pack	Cat.Nos	Residual current relay	Number of modules
1	0 260 88	<p>Detects fault currents, and, when used with a shunt trip or an undervoltage release, it gives the trip command to a MCCB or a switch</p> <ul style="list-style-type: none"> Comprises: <ul style="list-style-type: none"> - a tinged, sealable window - an auxiliary contact - a green Led indicating energisation - 3 yellow Leds indicating respectively the max. phase earth insulation current: 20, 40 and 60 % - a red Led indicating Fixed: exceeding of the insulation fault current value Flashing: breaking of one of the connections between coils and relays For use with coils: <ul style="list-style-type: none"> - Ø35 and 80 mm Adjustable sensitivity: 0.03, 0.05, 0.075, 0.1, 0.15, 0.2, 0.3, 0.5, 0.75, 1, 1.5, 2, 3, 5, 7.5, 10, 15, 20, 30 A - Ø110 to 210 mm Adjustable sensitivity: 0.3, 0.5, 0.75, 1, 1.5, 2, 3, 5, 7.5, 10, 15, 20, 30 A - Ø150 mm Adjustable sensitivity: 0.5, 0.75, 1, 1.5, 2, 3, 5, 7.5, 10, 15, 20, 30 A - Ø300 mm Adjustable sensitivity: 1, 1.5, 2, 3, 5, 7.5, 10, 15, 20, 30 A Adjustable trip: 0, 0.15, 0.25, 0.5, 1, 2.5, 5 seconds Supply voltage: 230/240 V - 50/60 Hz 	2
1	0 260 92	Coil Ø35 mm	
1	0 260 93	Coil Ø80 mm	
1	0 260 94	Coil Ø110 mm	
1	0 260 95	Coil Ø140 mm	
1	0 260 96	Coil Ø210 mm	
1	0 260 97	Coil Ø150 mm - open	
1	0 260 98	Coil Ø310 mm - open	

Residual current relay and coils

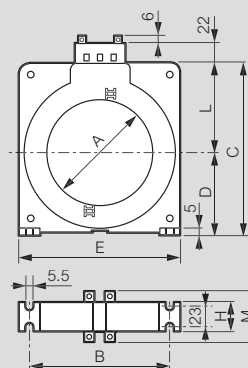
Residual current relay

Cat.No 0 260 88



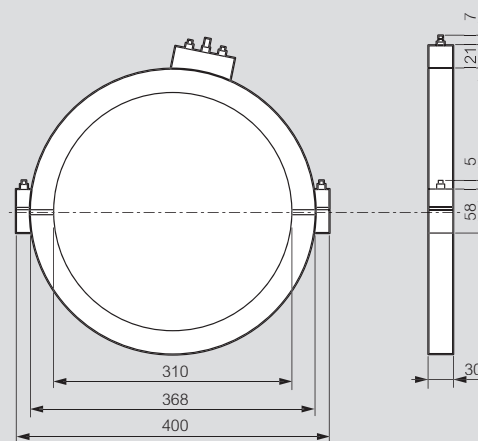
Coils

Cat.Nos 0 260 92/93/94/95/96 Cat.No 0 260 97



Cat.Nos	A	B	C	D	E	H	L	M
0 260 92	35	75	85	42	92	36	43	56
0 260 93	80	108	132	67	125	36	65	56
0 260 94	110	148	170	86	165	36	84	56
0 260 95	140	177	206	104	200	36	102	56
0 260 96	210	270	295	150	290	44	145	64
0 260 97	150	225	259	133	245	275	95	113

Cat.No 0 260 98



DPX³-I trip-free switches

160 to 1600 A



4 202 99

Dimensions p. 54-60

Trip-free switches for on-load circuit breaking and isolation of low voltage electrical circuits

Can be associated to earth leakage modules or to corresponding DPX³ residual current relays

Conform to IEC 60947-3

Category of use AC 23 A

Connection identical to corresponding DPX³

Pack	Cat.Nos		DPX ³ -I 160
1	3P 4 201 98	4P 4 201 99	In (A) 160 Mounting on rail with plate Cat.No 4 210 7
1	4P with earth leakage module 4 201 97		160 Mounting on rail with plate Cat.No 4 210 73
1	3P 4 202 99	4P 4 203 00	In (A) 250 Mounting on rail with plate Cat.No 4 210 72
1	4P with earth leakage module 4 202 98		250 Mounting on rail with plate Cat.No 4 210 74
1	3P 4 222 16	4P 4 222 18	In (A) 400
1	4 222 17	4 222 19	630
1	3P 4 224 90	4P 4 224 94	In (A) 630
1	4 224 91	4 224 95	800
1	4 224 92	4 224 96	1250
1	4 224 93	4 224 97	1600

DPX³-I trip-free switches

160 to 1600 A

Electrical characteristics

	DPX ³ -I 160	DPX ³ -I 250	DPX ³ -I 630	DPX ³ -I 1600
Rated operating voltage U _e (V)	50/60 Hz	690 ⁽¹⁾	690 ⁽¹⁾	690
	direct	250	250	250
Rated insulation voltage U _i (V \sim)	800	800	690	690
Rated impulse withstand voltage U _{imp} (kV)	8	8	8	8
Rated closing capacity on 400 V short circuit I _{cm} (kA)	3	3	6.5 ⁽³⁾ / 13 ⁽⁴⁾	40
Short-time resistive current t = 1 s I _{cs} (kA)	1.7	1.7	4 ⁽³⁾ / 7.6 ⁽⁴⁾	10 ⁽⁵⁾ / 15 ⁽⁶⁾ / 20 ⁽⁷⁾
Endurance (o.c. cycle)	mechanical	25000	25000	15000
	electrical	8000	8000	5000
Conventional thermal current (A)	160	250	630	1600
Nominal current of use (A) AC 23 A (690 V \sim)	160 (160 V)	250 (250 V)	630	1600
DC 23 A (250 V \sim)	160	160	630	-

1: 500 V for DPX³-I with earth leakage module

2: Up to 1250 A

3: I_n = 400 A

4: I_n = 630 A

5: I_n = 800 A

6: I_n = 1250 A

7: I_n = 1600 A

Dimensions

Dimensions of DPX³-I identical to corresponding DPX³

DPX ³ -I	Dimensions
DPX ³ -I 160	DPX ³ 160 (p. 54)
DPX ³ -I 250	DPX ³ 250 (p. 55)
DPX ³ -I 630	DPX ³ 630 (p. 58)
DPX ³ -I 1600	DPX ³ 1600 (p. 60)

Automatic transfer switch control units



4 226 80



4 226 82 + 4 226 88



4 226 83



4 226 86



4 226 89



Dimensions **p. 63**

Technical characteristics and configuration software **see e-catalogue**

They can control transfer switching between two sources, manage generator start/stop, control single phase, two-phase and three-phase networks, control phase-phase and phase-neutral voltages
For DPX³ and DMX³ circuit breakers and CTX³ contactors

Pack	Cat.Nos	Automatic transfer switch control units	Pack	Cat.Nos	Dual power supply selector
1	4 226 80	For standard management of 2 circuit breakers 6 programmable digital inputs and 6 programmable relay outputs Digital display Power supply: 12...48 V _{DC} IP54	1	4 226 86	Dual power supply selector measures and controls two supply voltages at its inputs (single phase, 230 V _{AC}) and selects the most adapted voltage for auxiliary circuits supply Equipped with 1 alarm contact, if no supply voltage can be selected within the limits
1	4 226 82 ¹	For advanced management of 2 circuit breakers 6 programmable digital inputs and 7 programmable relay outputs Can be equipped with maximum 2 plug-in modules between: - extension modules Cat.No 4 226 90/91/92 - opto-isolated RS485 communication interface Cat.No 4 226 89 LCD display IR communication port on the front panel for connection of USB or WiFi modules Cat.No 4 226 87/88 Can be configured with the help of front panel touch keys or of the Legrand dedicated software Power supply: 12-24 V _{DC} ; 110-240 V _{AC} IP40	1	4 226 89	Plug-in modules Opto-isolated RS485 interface
1	4 226 83 ¹	For advanced management of 3 circuit breakers 8 programmable digital inputs and 7 programmable relay outputs Can be equipped with maximum 3 plug-in extension modules between Cat.No 4 226 90/91/92 Integrated opto-isolated RS485 communication interface LCD display IR communication port on the front panel for connection of USB or WiFi modules Cat.No 4 226 87/88 Can be configured with the help of front panel touch keys or of the Legrand dedicated software Power supply: 12-24-48 V _{DC} ; 110-240 V _{AC} IP65	1	4 226 90	4 opto-isolated static outputs
			1	4 226 91	2 relay outputs, rated 5 A 250 V _{AC}
			1	4 226 92	2 opto-isolated digital inputs and 2 relay outputs rated 5 A 250 V _{AC}
					Communication accessories
					These communication devices can be used to connect Alptec 8 and Alptec 3.2/5.2/8.2 power factor controllers (p. 123) and automatic transfer switch controllers to a computer; smartphone or tablet For programming, downloading data, diagnostics and upgrading the firmware
			1	4 226 87 ¹	USB front connector Computer connection cable with USB connector The computer identifies the connection as a standard USB connection. There is no need to switch off the controller power supply
			1	4 226 88 ¹	Wi-Fi front connector Wi-Fi connection device compatible with computers, smartphones and tablets There is no need to switch off the controller power supply

1: Configuration software available for download via E-catalogue



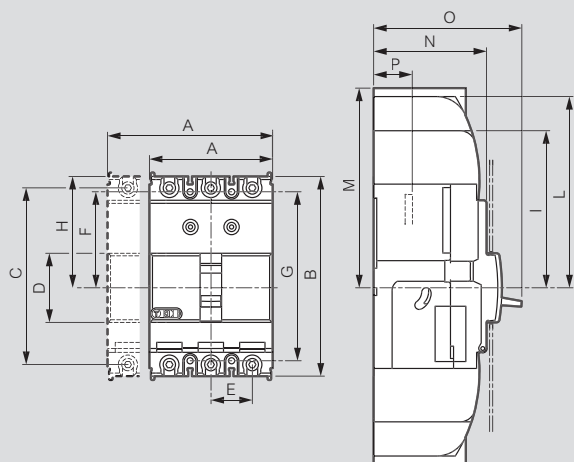
Transfer switching technical guide available for download on www.docexport.legrand.com



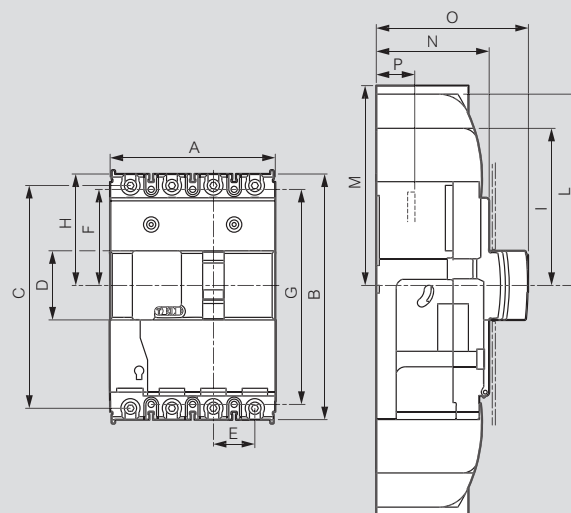
DPX³ 160 thermal magnetic

Dimensions

Fixed version

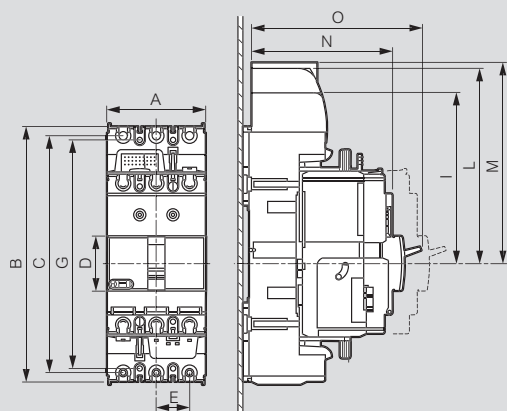


Fixed version with earth leakage module

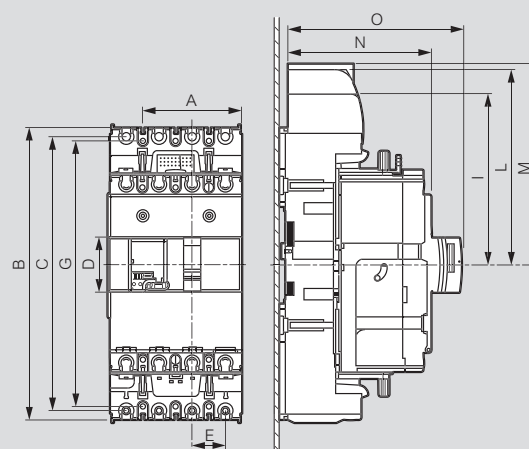


	A	B	C	D	E	F	G	H	I	L	M	N	O	P
3P	81	130	115	45	27	62,5	110	72,5	102,5	125	-	74	100	18
4P	108	130	115	45	27	62,5	110	72,5	102,5	125	-	74	100	18
e.l.c.bs	108	160	145	45	27	62,5	140	72,5	102,5	125	-	74	100	18

Plug-in version



Plug-in version with earth leakage module

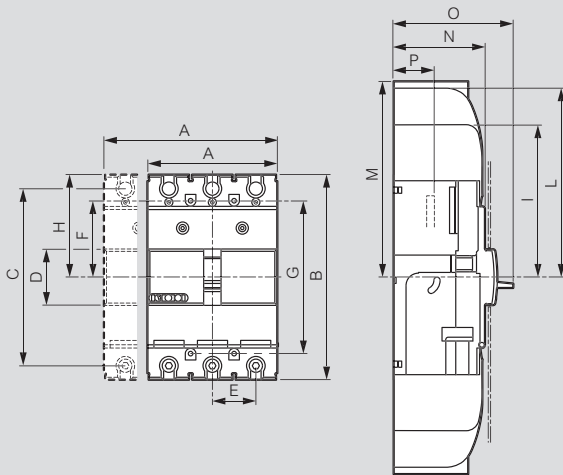


	A	B	C	D	E	F	G	H	I	L	M	N	O	P
3P	81	208	193	45	27	100,5	186	111,5	141,5	164	-	122	148	-
4P	108	238	223	45	27	100,5	216	111,5	141,5	164	-	122	148	-
e.l.c.bs	108	230	223	45	27	100,5	216	111,5	141,5	164	-	122	148	-

DPX³ 250 thermal magnetic and electronic release

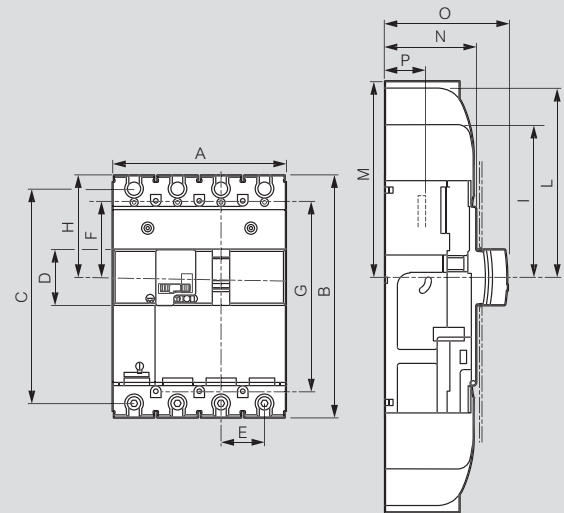
Dimensions

Fixed version

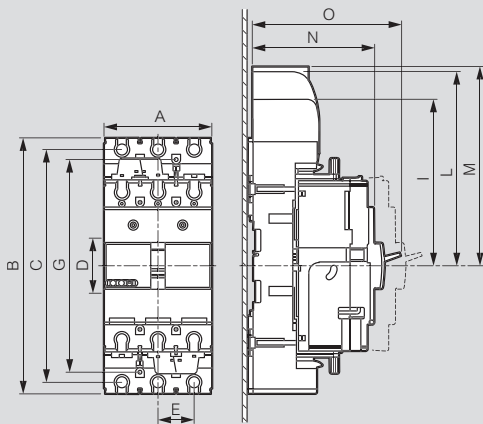


	A	B	C	D	E	F	G	H	I	L	M	N	O	P
3P	105	165	142,5	45	35	61,5	123	82,5	112,5	150	-	74	100	18
4P	140	165	142,5	45	35	61,5	123	82,5	112,5	150	-	74	100	18
e.l.c.bs	140	195	172,5	45	35	61,5	153	82,5	112,5	150	-	74	100	18

Fixed version with earth leakage module

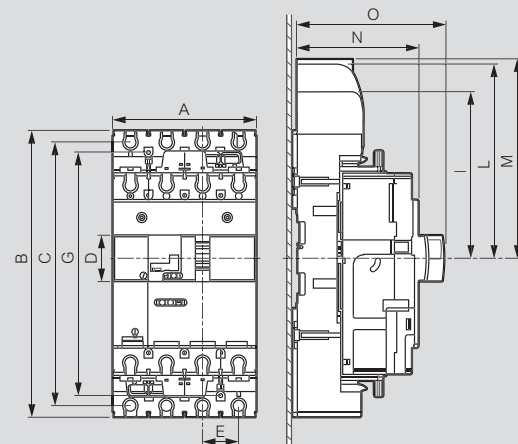


Plug-in version



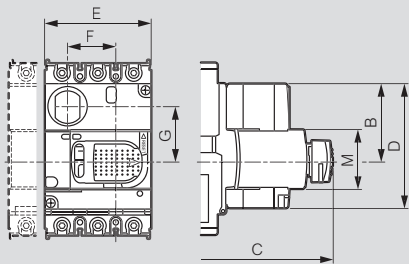
	A	B	C	D	E	F	G	H	I	L	M	N	P
3P	105	248	225,5	45	35	103	206	150	180	217,5	-	122	148
4P	140	278	225,5	45	35	103	236	150	180	217,5	-	122	148
e.l.c.bs	140	278	225,5	45	35	103	236	150	180	217,5	-	122	148

Plug-in version with earth leakage module



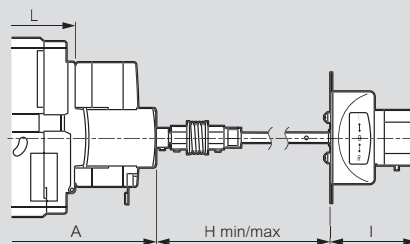
Dimensions

Direct rotary handles Cat.Nos 4 210 00/01/02/03

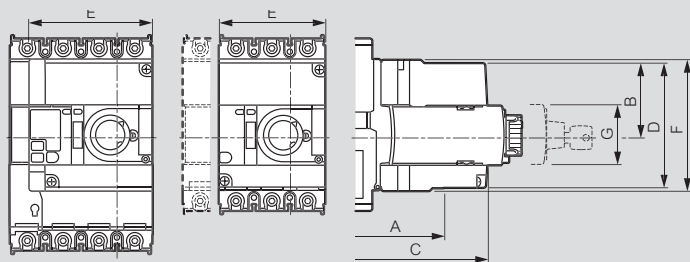


	A	B	C	D	E	F	G	H min	H max	I	L	M
160	122	57	155	94	80.5	36.5	41.7	132	361	62	74	45
160 with e.l.c.bs	122	57	155	94	93	36.5	41.7	132	361	62	74	45
250	122	57	155	94	80.5	40.5	41.7	132	361	62	74	45
250 with e.l.c.bs	122	57	155	94	93	40.5	41.7	132	361	62	74	45
250 electronic release	122	57	155	94	93	40.5	41.7	132	361	62	74	45
250 electronic release with e.l.c.bs	122	57	155	94	93	40.5	41.7	132	361	62	74	45

Vari-depth rotary handles Cat.Nos 4 210 04/05

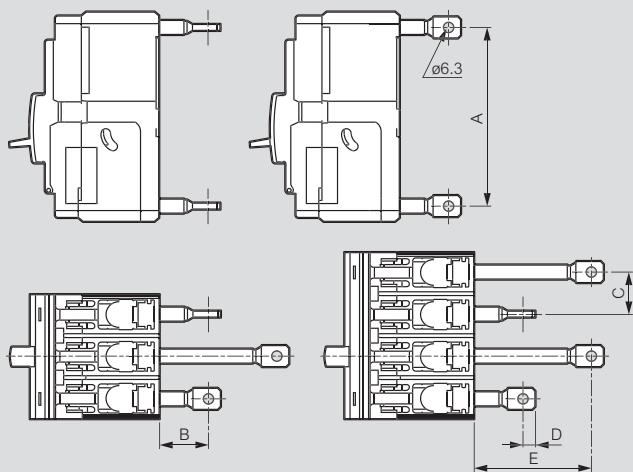


Front motor-driven handle Cat.No 4 210 61



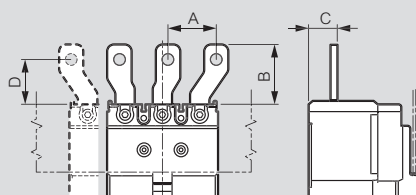
	A	B	C	D	E	F	G	H
160	125	54.5	154	94	80.5	99	45	74
160 with e.l.c.bs	125	54.5	154	94	93	99	45	74
250	125	54.5	154	94	80.5	99	45	74
250 with e.l.c.bs	125	54.5	154	94	93	99	45	74
250 electronic release	125	54.5	154	94	93	99	45	74
250 electronic release with e.l.c.bs	125	54.5	154	94	93	99	45	74

Rear terminals Cat.Nos 4 210 36/37/38/39



	A	B	C	D	E
160	115	35	27	21.5	79
160 with e.l.c.bs	145	35	27	21.5	79
250	142.5	36	35	22.5	80
250 with e.l.c.bs	172.5	36	35	22.5	80

Incoming spreaders Cat.Nos 4 210 32/33/34/35



	A	B	C	D
160	35	41	23	33
160 with e.l.c.bs	35	41	23	33
250	48.5	55	23	39
250 with e.l.c.bs	48.5	55	23	39

DPX³ 160/250

Technical characteristics (at 40 °C and 50 °C)

MCCBs		DPX ³ 160 thermal magnetic				DPX ³ 160 with electronic earth leakage module			
		16 kA	25 kA	36 kA	50 kA	16 kA	25 kA	36 kA	50 kA
Nominal current In (A)		16-25-40-63-80-100-125-160				16-25-40-63-80-100-125-160			
Rated insulation voltage (V)	50-60Hz	800				500			
Rated operational voltage (V)	50-60Hz	690				500			
Rated impulse withstand current Uimp (kV)		8				6			
Category of use		A				A			
Ultimate breaking capacity (kA) in AC	220/240 V~	25	35	50	65	25	35	50	65
	380/415 V~	16	25	36	50	16	25	36	50
	440/460 V~	10	18	25	30	10	18	25	30
	480/500 V~	8	10	12	15	8	10	12	15
	600 V~	6	8	10	12	-	-	-	-
690 V~	5	5	8	10	-	-	-	-	
Standard breaking capacity Ics (% Icu)		100	100	100	100	100	100	100	100
Short-circuit making capacity Icm (kA)	415 V~	32	52.5	75.6	105	32	52.5	75.6	105

MCCBs		DPX ³ 250 thermal magnetic				DPX ³ 250 thermal magnetic with electronic earth leakage module			
		25 kA	36 kA	50 kA	70 kA	25 kA	36 kA	50 kA	70 kA
Nominal current In (A)		100-160-200-250				100-160-200-250			
Rated insulation voltage (V)	50-60Hz	800 (with integrated e.l.c.bs: 500)				800 (with integrated e.l.c.bs: 500)			
Rated operational voltage (V)	50-60Hz	690 (with integrated e.l.c.bs: 500)				690 (with integrated e.l.c.bs: 500)			
Rated impulse withstand current Uimp (kV)		8				8			
Category of use		A				A			
Ultimate breaking capacity (kA) in AC	220/240 V~	40	60	80	100	40	60	80	100
	380/415 V~	25	36	50	70	25	36	50	70
	440/460 V~	20	30	40	60	20	30	40	60
	480/500 V~	10	25	30	40	8	16	18	20
	600 V~	9	20	22	25	-	-	-	-
690 V~	8	16	18	20	8	16	18	20	
Standard breaking capacity Ics (% Icu)		100	100	100	100	100	100	100	100

MCCBs		DPX ³ 250 electronic release				DPX ³ 250 electronic release			
		25 kA	36 kA	50 kA	70 kA	25 kA	36 kA	50 kA	70 kA
Nominal current In (A)		40-100-160-250				40-100-160-250			
Rated insulation voltage (V)	50-60Hz	800 (with integrated e.l.c.bs: 500)				800 (with integrated e.l.c.bs: 500)			
Rated operational voltage (V)	50-60Hz	690 (with integrated e.l.c.bs: 500)				690 (with integrated e.l.c.bs: 500)			
Rated impulse withstand current Uimp (kV)		6				6			
Category of use		A				A			
Ultimate breaking capacity (kA) in AC	220/240 V~	40	60	80	100	40	60	80	100
	380/415 V~	25	36	50	70	25	36	50	70
	440/460 V~	20	30	40	60	20	30	40	60
	480/500 V~	10	25	30	40	8	16	18	20
	600 V~	9	20	22	25	-	-	-	-
690 V~	8	16	18	20	8	16	18	20	
Standard breaking capacity Ics (% Icu)		100	100	100	100	100	100	100	100



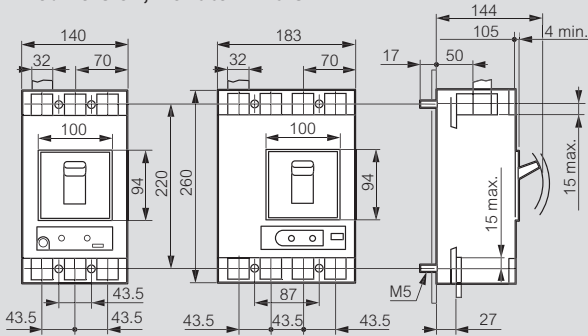
Functioning in particular conditions
(temperature and altitude derating)
see technical sheets



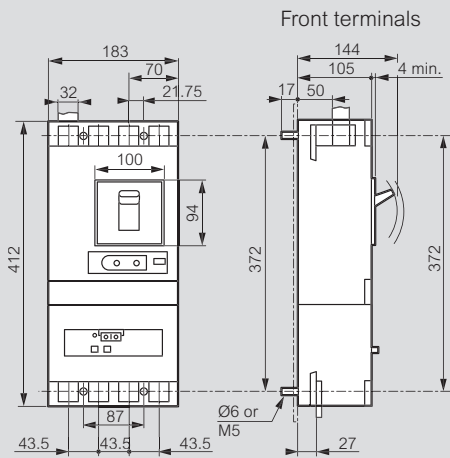
DPX³ tripping curves
see technical sheets

■ Dimensions

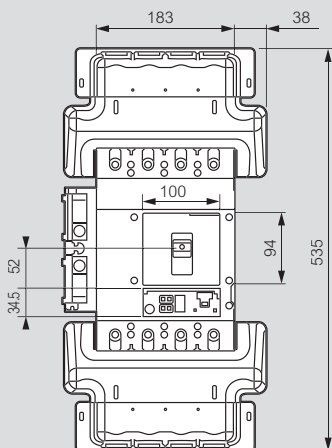
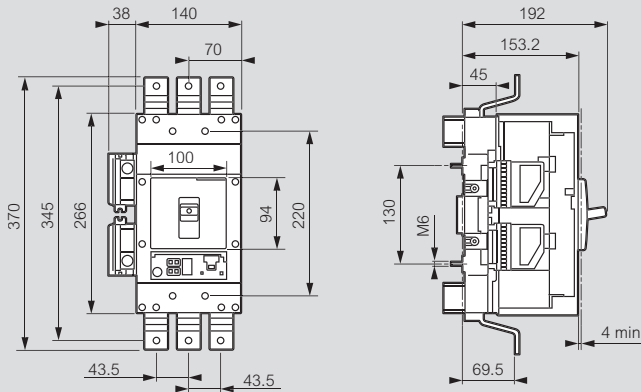
Fixed version, front terminals



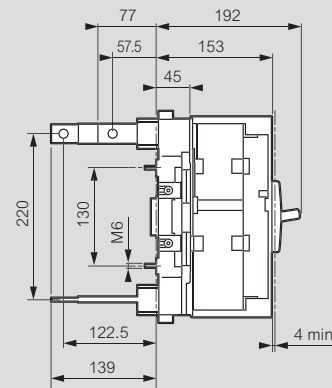
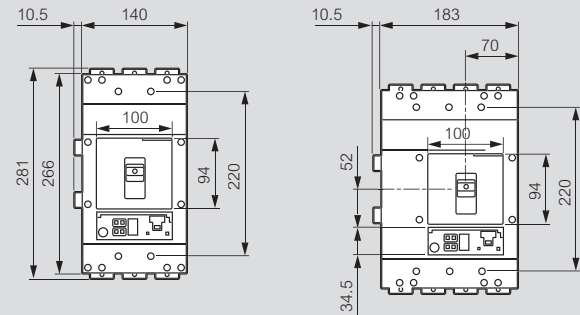
Fixed version with earth leakage module mounted underneath



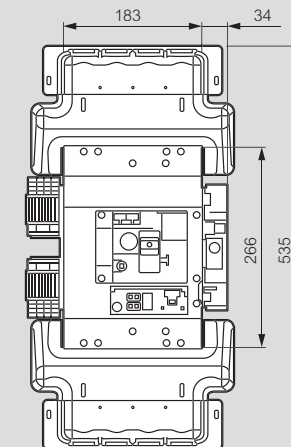
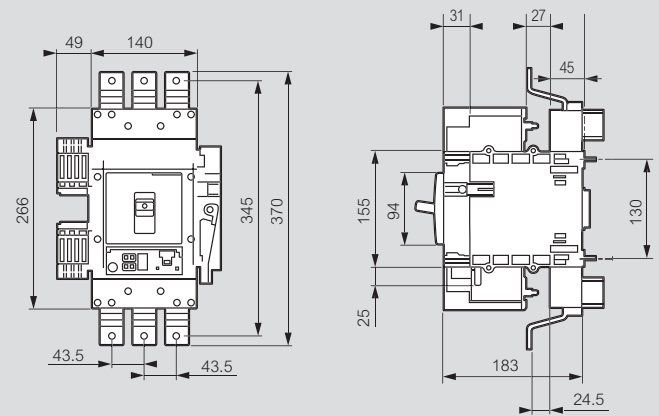
Plug-in version, front terminals



Plug-in version, rear terminals



Draw-out version, front terminals

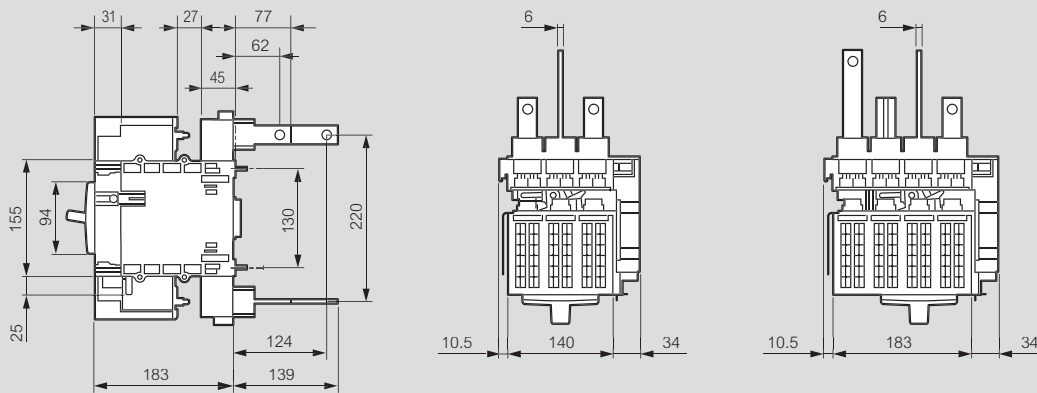


1: 75 mm without mechanical system

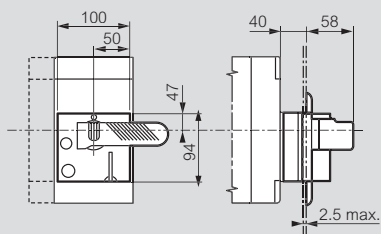
■ Dimensions (continued)

Draw-out version, rear terminals

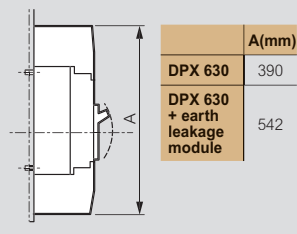
Flat rear terminal



Rotary handle-direct on DPX³

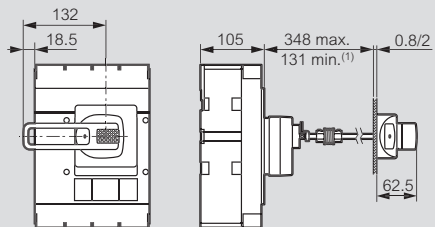


Terminal shields



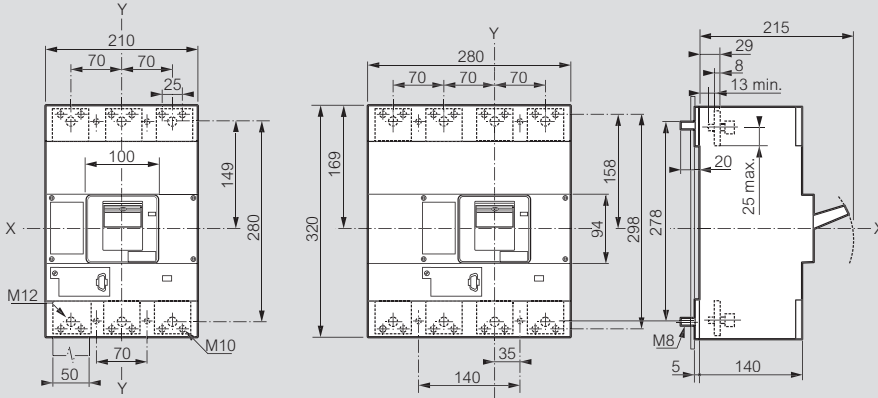
Rotary handle-vari-depth handle on door

Mounting with flexible seal

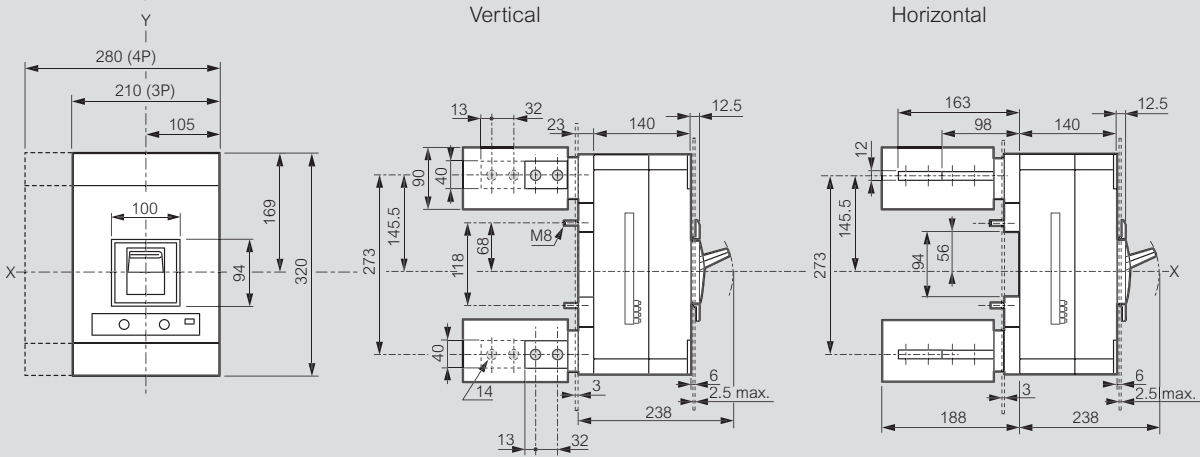


Dimensions

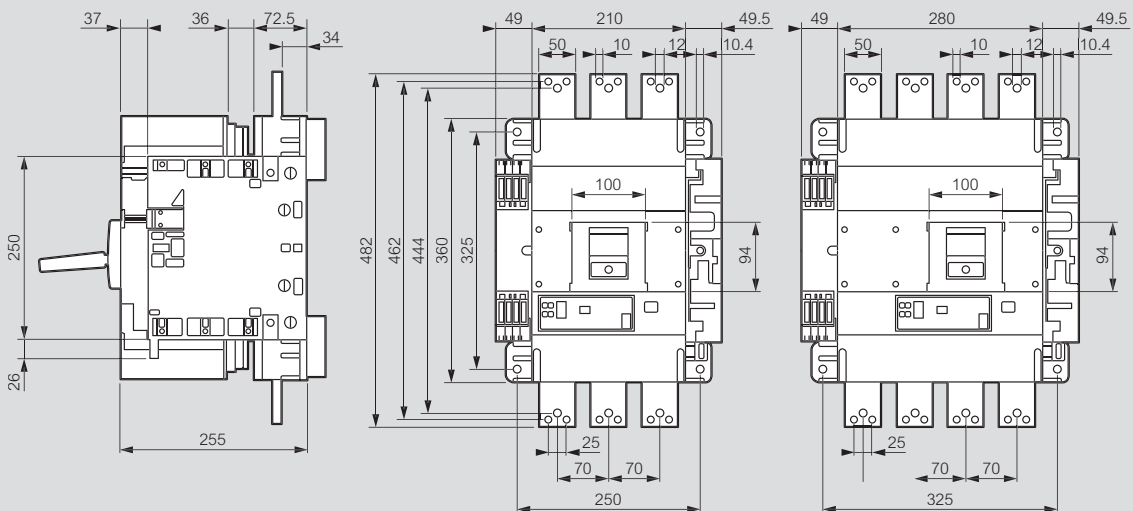
Fixed version, front terminals



Fixed version, rear terminals

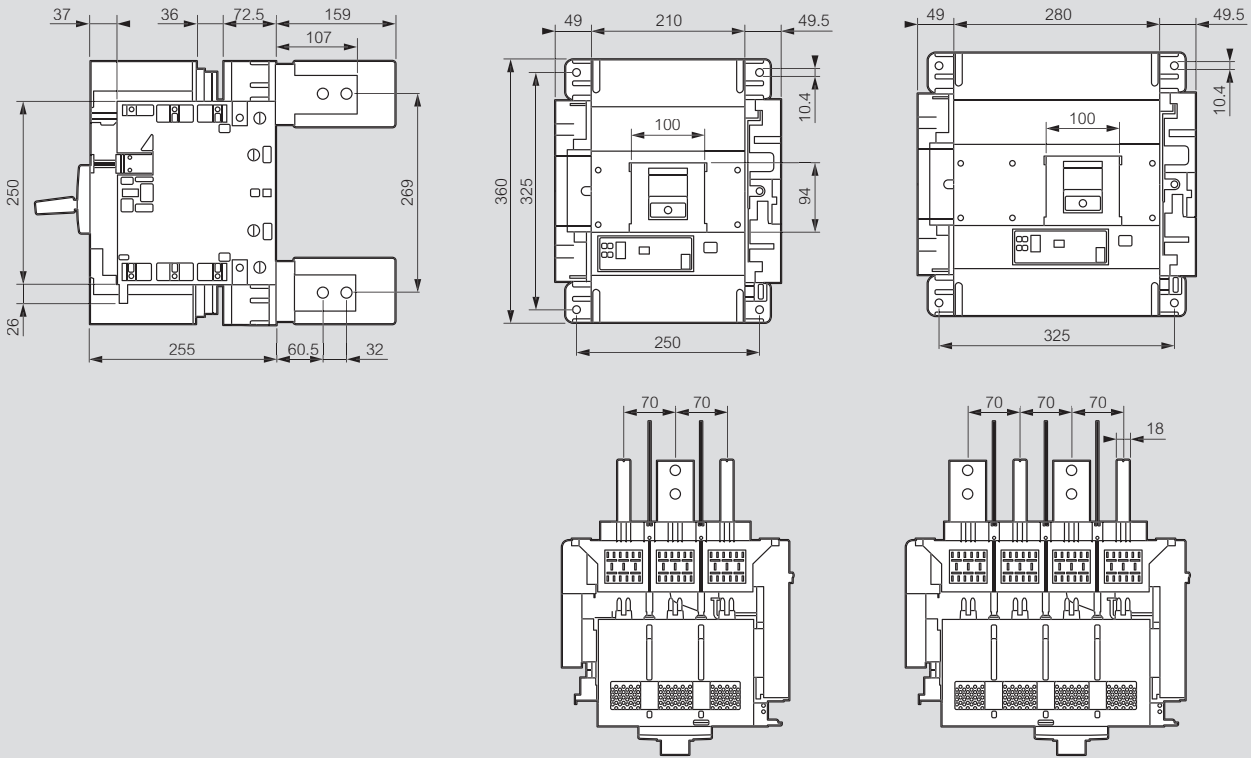


Draw-out version, front terminals

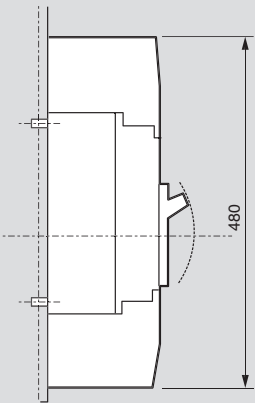


Dimensions (continued)

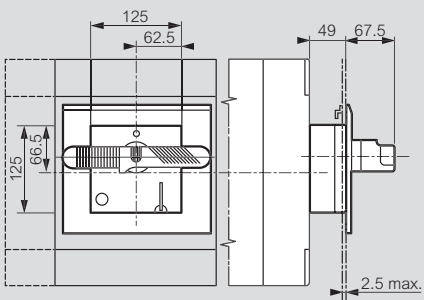
Draw-out version, rear terminals (continued)



Terminal shields

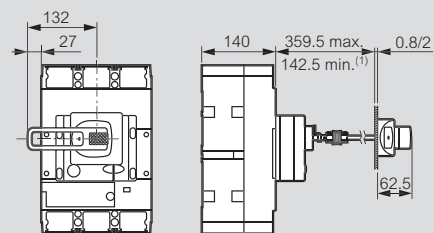


Rotary handle-direct on DPX³



Rotary handle-vari-depth handle on door

Mounting with flexible seal



1: 75 mm without mechanical system

Adjustment for thermal-magnetic DPX³

Setting	DPX ³ thermal magnetic	DPX ³ with integrated e.l.c.bs
I _r overload trip threshold (thermal)	0.8 to 1 I _n	0.8 to 1 I _n
I _m short-circuit trip threshold (magnetic)	fixed: 10 I _n ⁽¹⁾	fixed: 10 I _n ⁽¹⁾
I _{Δn} (A)	-	0.03 - 0.03 - 1 - 3
Δt (s)	-	0 - 0.3 - 1 - 3

1: 400 A for DPX³ 160 In 16 A and 25 A

Adjustment for DPX³ electronic release

Setting	DPX ³	DPX ³ with integrated e.l.c.bs
I _r overload trip threshold (long delay)	0.4 to 1 I _n	
t _r long delay trip time	3 - 5 - 10 - 15s	
I _{Δn} (A)	-	0.03 - 0.03 - 1 - 3
Δt (s)	-	0 - 0.3 - 1 - 3
I _{sd} short-circuit trip threshold (short delay)	1.5 - 2 - 2.5 - 3 - 4 - 5 - 6 - 7 - 8 - 9 - 10 x I _r	
t _{sd} short delay trip time	0.01 - 0.1 - 0.2 - 0.3 - 0.4 - 0.5s	
I _g	(0.2 - 0.3 - 0.4 - 0.5 - 0.6 - 0.7 - 0.8 - 1 - OFF) x I _n	
t _g	0.1 - 0.2 - 0.3 - 0.4 - 0.5 - 1s	-

DPX³ tripping curves
see technical sheet

Adjustment for thermal-magnetic DPX³

Setting	DPX ³ 630	DPX ³ 1600
I _r overload trip threshold (thermal)	0.8 to 1 I _n	0.8 to 1 I _n
I _m short-circuit trip threshold (magnetic)	5 to 10 I _n	5 to 10 I _n

Adjustment for DPX³ electronic release

Threshold Setting	S1
I _r long delay setting current (protection against overloads)	I _r =0.4 ÷ 1 x I _n (with 2 selectors of 10 steps)
t _r long delay protection operation time	t _r =5 s (with memory ON)
I _{sd} short delay setting current (protection against short-circuits)	I _{sd} =1.5 ÷ 10 I _r (with 10 steps)
t _{sd} short delay protection operation time	t _{sd} =10 ms

Threshold Setting	S2
I _r long delay setting current (protection against overloads)	I _r =0.4 ÷ 1 x I _n (with 1 A steps)
t _r long delay protection operation time	t _r =3 ÷ 30s (with 7 steps and memory ON or OFF)
I _{sd} short delay setting current (protection against short-circuits)	I _{sd} =1.5 ÷ 10 I _r (with 11 steps)
t _{sd} short delay protection operation time	t _{sd} =0 ÷ 500 ms (with 6 steps and I ² t=k or t=k)

DPX³ tripping curves
see technical sheet

Automation control units for transfer switches

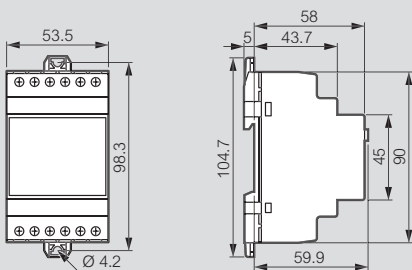
technical characteristics and dimensions

Technical characteristics

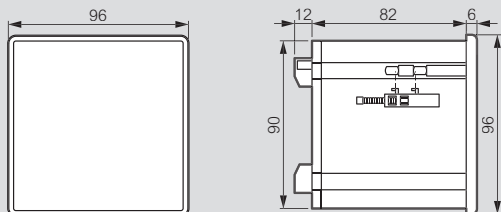
		Cat.Nos		
		4 226 80	4 226 82	4 226 83
Voltage Inputs	Ue max rated voltage	480 V~ L-L (277 V~ L-N)	100-480 V~	600 V~ L-L (346 V~ L-N)
	Measuring range	50-576 V~ (L-L)	50-576 V~ L-L	50...720 V L-L
	Primary voltage VT max	-	50000 V	50000 V
	Frequency range	45...66 Hz	45...65 Hz - 360...440 Hz	45...65 Hz - 360...440 Hz
	Measurement type	True RMS value	True RMS value	True RMS value
	Connection modes	Single phase, two-phase or three-phase system	Single phase, two-phase or three-phase system with or without neutral	Single phase, two-phase or three-phase system with or without neutral
	Measuring error	± 0.25% f.s. ± 1 digit	± 0.25% f.s. ± 1 digit	± 0.25% f.s. ± 1 digit
Ambient condition	Operating temperature	-20... +60 °C	-30...+70 °C	-30...+70 °C
	Storage temperature	-30...+80 °C	-30...+80 °C	-30...+80 °C
	Relativity humidity	< 90 %	80 % (IEC/EN 60068-2-78)	80 % (IEC/EN 60068-2-78)
	Maximum pollution degree	3	2	2
	Overvoltage category	3	3	3
	Measurement category	III	III	III
	Rated impulse withstand voltage	Uimp 4.0 kV	Uimp 7.3 kV	Uimp 7.3 kV

Dimensions

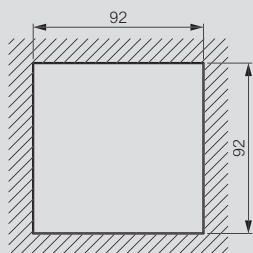
Cat.No 4 226 86



Cat.No 4 226 80

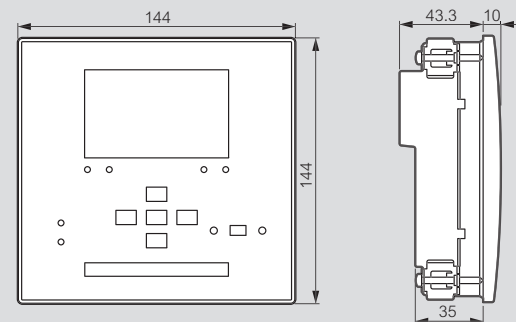


Door cut

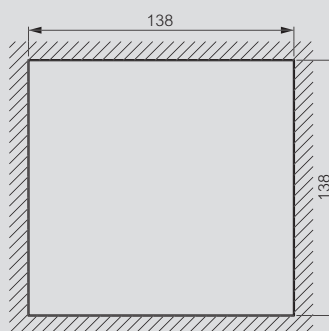


Dimensions (continued)

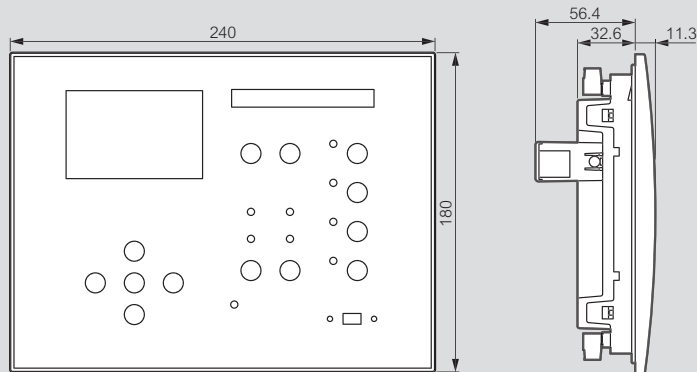
Cat.No 4 226 82



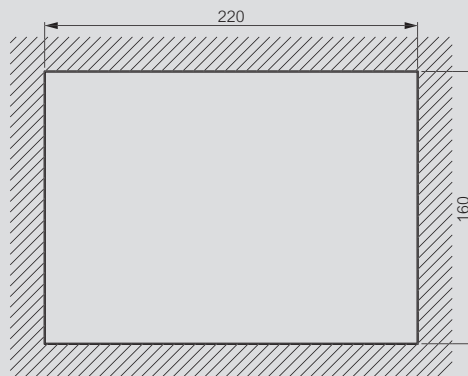
Door cut



Cat.No 4 226 83



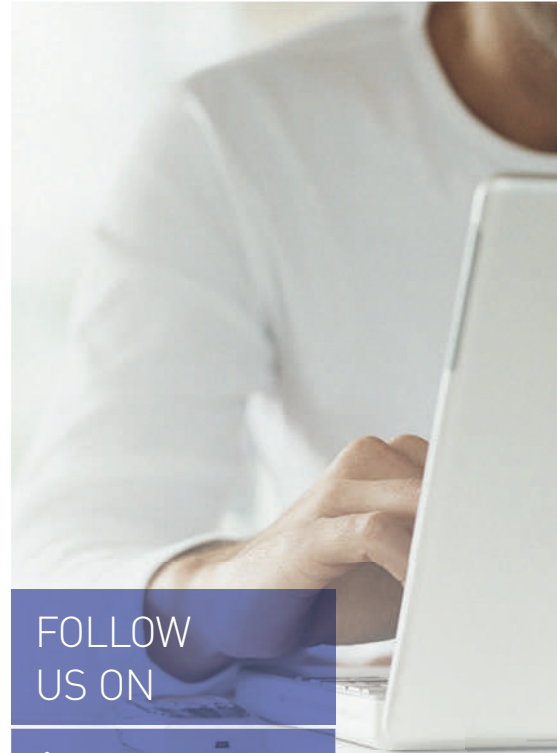
Door cut






Catalogue number index

Cat.Nos	Page N°	Pack	Cat.Nos	Page N°	Pack	Cat.Nos	Page N°	Pack	Cat.Nos	Page N°	Pack	Cat.Nos	Page N°	Pack	Cat.Nos	Page N°	Pack
0 035 00			0 264 00			4 201 00			4 203 09 35 1			4 205 25 37 1			4 210 15 38 1		
0 035 67	50	1	0 264 04	44	1	4 201 10	32	1	12	-	1	27	-	1	16	-	1
0 260 00			05	49	1	11	-	1	15	-	1	29	-	1	17	-	1
0 260 60	44	1	09	44	1	12	-	1	17	-	1	32	-	1	18	-	1
61	-	1	10	49	1	13	-	1	19	-	1	35	-	1	19	-	1
63	-	1	0 265 00			14	-	1	22	-	1	37	-	1	20	-	1
64	-	1	0 265 74	44	1	15	-	1	25	-	1	42	-	1	21	-	1
65	-	1	75	-	1	16	-	1	27	-	1	45	-	1	22	-	1
67	-	1	76	-	1	17	-	1	29	-	1	47	-	1	23	-	1
88	51	1	77	-	1	20	-	1	32	-	1	49	-	1	24	-	1
92	-	1	78	-	1	21	-	1	35	-	1	52	-	1	25	-	1
93	-	1	79	49	1	22	-	1	37	-	1	55	-	1	26	-	1
94	-	1	80	-	1	23	-	1	42	-	1	57	-	1	27	-	1
95	-	1	4 200 00			24	-	1	44	-	1	59	-	1	28	-	1
96	-	1	4 200 00	32	1	25	-	1	49	-	1	-	-	-	29	-	1
97	-	1	01	-	1	26	-	1	52	-	1	4 206 00			30	37	1
98	-	1	02	-	1	27	-	1	55	-	1	4 206 05	34	1	31	-	1
0 261 00			03	-	1	30	-	1	57	-	1	07	-	1	32	33	1
0 261 19	49	1	04	-	1	31	-	1	59	-	1	08	-	1	33	-	1
23	-	1	05	-	1	32	-	1	77	-	1	09	-	1	34	37	1
24	-	1	06	-	1	33	-	1	79	-	1	15	-	1	35	-	1
25	-	1	07	-	1	34	-	1	82	-	1	17	-	1	36	33	1
26	-	1	10	-	1	35	-	1	85	-	1	18	-	1	37	-	1
27	-	1	11	-	1	36	-	1	87	-	1	19	-	1	38	37	1
28	-	1	12	-	1	37	-	1	89	-	1	25	-	1	39	-	1
29	-	1	13	-	1	50	-	1	97	-	1	27	-	1	40	33	1
40	45	1	14	-	1	51	-	1	98	52	1	28	-	1	41	-	1
41	-	1	15	-	1	52	-	1	99	-	1	29	-	1	42	37	1
44	-	1	16	-	1	53	-	1	4 204 00			35	35	1	43	-	1
54	49	1	17	-	1	54	-	1	4 204 02	36	1	37	-	1	44	33	1
56	50	1	18	-	1	55	-	1	05	-	1	38	-	1	45	-	1
58	45	1	19	-	1	56	-	1	07	-	1	39	-	1	46	-	1
59	-	1	20	-	1	57	-	1	09	-	1	40	-	1	47	-	1
90	38	1	21	-	1	58	-	1	12	-	1	41	-	1	48	38	1
91	-	1	22	-	1	59	-	1	15	-	1	42	-	1	49	-	1
0 262 00			23	-	1	97	52	1	17	-	1	43	-	1	50	33	1
0 262 30	45	1	98	-	1	4 202 00			19	-	1	44	-	1	51	-	1
40	-	1	99	-	1	4 202 05	34	1	22	-	1	45	-	1	52	37	1
41	-	1	4 201 00			07	-	1	25	-	1	46	-	1	53	-	1
44	-	1	07	-	1	08	-	1	27	-	1	47	-	1	54	33	1
45	-	1	08	-	1	09	-	1	28	-	1	48	-	1	55	-	1
46	-	1	09	-	1	15	-	1	29	-	1	49	-	1	56	37	1
47	-	1	17	-	1	17	-	1	32	-	1	50	-	1	57	-	1
48	-	1	18	-	1	19	-	1	35	-	1	51	-	1	58	38	1
49	-	1	19	-	1	25	-	1	37	-	1	52	-	1	59	-	1
50	-	1	27	-	1	27	-	1	39	-	1	53	-	1	60	-	1
51	-	1	28	-	1	28	-	1	42	-	1	54	-	1	61	-	1
52	-	1	29	-	1	29	-	1	44	-	1	55	-	1	62	-	1
53	-	1	35	-	1	35	-	1	45	-	1	56	-	1	63	-	1
54	-	1	37	-	1	37	-	1	47	-	1	57	-	1	64	-	1
55	-	1	38	-	1	38	-	1	49	-	1	58	-	1	65	-	1
56	-	1	39	-	1	39	-	1	50	-	1	59	-	1	66	-	1
57	-	1	45	-	1	45	-	1	51	-	1	60	-	1	67	-	1
58	-	1	47	-	1	47	-	1	52	-	1	61	-	1	68	33	1
59	-	1	48	-	1	48	-	1	53	-	1	62	-	1	69	37	1
66	-	1	49	-	1	49	-	1	54	-	1	63	-	1	70	33	1
67	-	1	55	-	1	55	-	1	55	-	1	64	-	1	71	-	1
68	-	1	57	-	1	57	-	1	56	-	1	65	-	1	72	37	1
69	-	1	70	-	1	58	-	1	57	-	1	66	-	1	73	33	1
70	-	1	71	-	1	59	-	1	59	-	1	67	-	1	74	37	1
73	-	1	72	-	1	65	-	1	62	-	1	68	-	1	75	50	1
74	-	1	73	-	1	67	-	1	65	-	1	69	-	1	76	37	1
77	-	1	74	-	1	68	-	1	67	-	1	70	-	1	77	-	1
81	45	1	75	-	1	69	-	1	69	-	1	71	-	1	78	-	1
82	-	1	76	-	1	75	-	1	72	-	1	72	-	1	79	37	1
83	49	1	77	-	1	77	-	1	73	-	1	73	-	1	80	-	1
84	-	1	78	-	1	78	-	1	74	-	1	74	-	1	81	50	1
85	-	1	79	-	1	79	-	1	75	-	1	75	-	1	82	33	1
86	-	1	81	-	1	81	-	1	77	-	1	76	-	1	83	-	1
87	-	1	82	-	1	82	-	1	79	-	1	77	-	1	84	-	1
88	-	1	83	-	1	83	-	1	85	-	1	78	-	1	85	-	1
89	-	1	84	-	1	84	-	1	87	-	1	79	-	1	86	-	1
90	-	1	85	-	1	85	-	1	88	-	1	80	-	1	87	-	1
91	-	1	86	-	1	86	-	1	89	-	1	81	-	1	88	-	1
92	-	1	87	-	1	87	-	1	98	52	1	82	-	1	89	-	1
93	-	1	88	-	1	88	-	1	99	-	1	83	-	1	90	-	1
94	-	1	89	-	1	4 203 00			4 205 00			84	-	1	91	-	1
95	-	1	4 203 00	52	1	4 205 02	37	1	05	-	1	85	-	1	92	-	1
96	-	1	02	35	1	07	-	1	07	-	1	86	-	1	93	-	1
97	-	1	05	-	1	09	-	1	09	-	1	87	-	1	94	-	1
0 263 00			07	-	1	12	-	1	12	-	1	88	-	1	95	-	1
0 263 48	44	1	4 204 00			15	-	1	15	-	1	89	-	1	96	-	1
52	45	1	4 204 02	36	1	17	-	1	17	-	1	4 207 00			97	-	1
53	-	1	05	-	1	19	-	1	19	-	1	4 207 02	37	1	98	38	1
80	49	1	07	-	1	22	-	1	22	-	1	05	-	1	4 210 00		
81	-	1	09	-	1	25	-	1	25	-	1	07	-	1	4 210 00	38	1
82	-	1	67	-	1	27	-	1	27	-	1	09	-	1	01	-	1
83	-	1	72	-	1	29	-	1	29	-	1	10	-	1	02	-	1
84	-	1	73	-	1	32	-	1	32	-	1	11	-	1	03	-	1
85	-	1	74	-													

Cat.Nos	Page N°	Pack	Cat.Nos	Page N°	Pack	Cat.Nos	Page N°	Pack	Cat.Nos	Page N°	Pack	Cat.Nos	Page N°	Pack	Cat.Nos	Page N°	Pack
4 220 15	40	1	4 221 04	42	1	4 221 98	43	1	4 223 02	47	1	4 224 14	48	1	4 225 19	41	1
16	-	1	05	-	1	99	-	1	03	-	1	15	-	1	20	-	1
17	-	1	06	-	1	4 222 00			05	-	1	16	-	1	21	-	1
18	-	1	07	-	1				4 222 00	43	1	06	-	1	17	-	1
19	-	1	08	-	1	01	-	1	07	-	1	19	-	1	23	-	1
20	-	1	09	-	1	02	-	1	08	-	1	20	-	1	24	-	1
21	-	1	10	-	1	03	-	1	09	-	1	21	-	1	25	-	1
22	-	1	11	-	1	04	-	1	10	-	1	22	-	1	26	-	1
23	-	1	12	-	1	05	-	1	11	-	1	23	-	1	27	-	1
24	-	1	13	-	1	06	-	1	12	-	1	24	-	1	28	-	1
25	-	1	14	-	1	07	-	1	13	-	1	25	-	1	29	-	1
26	-	1	15	-	1	08	-	1	14	-	1	26	-	1	30	-	1
27	-	1	16	-	1	09	-	1	15	-	1	27	-	1	31	-	1
28	-	1	17	-	1	10	-	1	16	52	1	28	-	1	32	-	1
29	-	1	18	-	1	11	-	1	17	-	1	29	-	1	33	-	1
30	-	1	19	-	1	12	-	1	18	-	1	30	-	1	34	-	1
31	-	1	20	-	1	13	-	1	19	-	1	31	-	1	35	-	1
32	-	1	21	-	1	14	-	1	20	44	1	32	-	1	36	-	1
33	-	1	22	-	1	15	-	1	21	-	1	33	-	1	37	-	1
34	-	1	23	-	1	16	52	1	22	-	1	34	-	1	38	-	1
35	-	1	24	-	1	17	-	1	23	-	1	35	-	1	39	46	1
36	-	1	25	-	1	18	-	1	24	-	1	36	-	1	40	-	1
37	-	1	26	-	1	19	-	1	25	-	1	37	-	1	41	-	1
38	-	1	27	-	1	20	44	1	26	-	1	38	-	1	42	-	1
39	-	1	28	-	1	21	-	1	27	-	1	39	-	1	43	-	1
40	-	1	29	-	1	22	-	1	28	-	1	40	-	1	44	-	1
41	-	1	30	-	1	23	-	1	29	-	1	41	-	1	45	-	1
42	-	1	31	-	1	24	-	1	30	-	1	42	-	1	46	-	1
43	-	1	32	-	1	25	-	1	31	-	1	43	-	1	47	-	1
44	-	1	33	-	1	26	-	1	32	-	1	44	-	1	48	-	1
45	-	1	34	-	1	27	-	1	33	-	1	45	-	1	49	-	1
46	-	1	35	-	1	28	-	1	34	45	1	46	-	1	50	-	1
47	-	1	36	43	1	29	-	1	35	-	1	47	-	1	51	-	1
48	-	1	37	-	1	30	-	1	36	-	1	48	-	1	52	-	1
49	-	1	38	-	1	31	-	1	37	-	1	49	-	1	53	-	1
50	-	1	39	-	1	32	-	1	38	-	1	50	-	1	54	-	1
51	-	1	40	-	1	33	-	1	39	50	1	51	-	1	55	-	1
52	-	1	41	-	1	34	45	1	40	-	1	52	-	1	56	-	1
53	-	1	42	-	1	35	-	1	41	-	1	53	-	1	57	-	1
54	-	1	43	-	1	36	-	1	42	-	1	54	-	1	58	-	1
55	-	1	44	-	1	37	-	1	43	-	1	55	-	1	59	-	1
56	42	1	45	-	1	38	-	1	44	-	1	56	-	1	60	-	1
57	-	1	46	-	1	39	50	1	45	-	1	57	-	1	61	-	1
58	-	1	47	-	1	40	-	1	46	-	1	58	-	1	62	-	1
59	-	1	48	-	1	41	-	1	47	-	1	59	-	1	63	-	1
60	-	1	49	-	1	42	-	1	48	-	1	60	-	1	64	-	1
61	-	1	50	-	1	43	-	1	49	-	1	61	-	1	65	-	1
62	-	1	51	-	1	44	-	1	50	-	1	62	-	1	66	-	1
63	-	1	52	-	1	45	-	1	51	-	1	63	-	1	67	-	1
64	-	1	53	-	1	46	-	1	52	-	1	64	-	1	68	-	1
65	-	1	54	-	1	47	-	1	53	-	1	65	-	1	69	-	1
66	-	1	55	-	1	48	-	1	54	-	1	66	-	1	70	-	1
67	-	1	56	-	1	49	-	1	55	-	1	67	-	1	71	-	1
68	-	1	57	-	1	50	46	1	56	-	1	68	-	1	72	-	1
69	-	1	58	-	1	51	-	1	57	-	1	69	-	1	73	-	1
70	-	1	59	-	1	52	-	1	58	-	1	70	-	1	74	-	1
71	-	1	60	-	1	53	-	1	59	-	1	71	-	1	75	-	1
72	-	1	61	-	1	54	-	1	60	-	1	72	-	1	76	-	1
73	-	1	62	-	1	55	-	1	61	-	1	73	-	1	77	-	1
74	-	1	63	-	1	56	-	1	62	-	1	74	-	1	78	-	1
75	-	1	64	-	1	57	-	1	63	-	1	75	-	1	79	-	1
76	-	1	65	-	1	58	-	1	64	-	1	76	-	1	80	-	1
77	-	1	66	-	1	59	-	1	65	-	1	77	-	1	81	-	1
78	-	1	67	-	1	60	-	1	66	-	1	78	-	1	82	-	1
79	-	1	68	-	1	61	-	1	67	-	1	79	-	1	83	-	1
80	-	1	69	-	1	62	-	1	68	-	1	80	-	1	84	-	1
81	-	1	70	-	1	63	-	1	69	-	1	81	-	1	85	-	1
82	-	1	71	-	1	64	-	1	70	-	1	82	-	1	86	-	1
83	-	1	72	-	1	65	-	1	71	-	1	83	-	1	87	-	1
84	-	1	73	-	1	66	-	1	72	-	1	84	-	1	88	-	1
85	-	1	74	-	1	67	-	1	73	-	1	85	-	1	89	-	1
86	-	1	75	-	1	68	-	1	74	-	1	86	-	1	90	-	1
87	-	1	76	-	1	69	-	1	75	-	1	87	-	1	91	-	1
88	-	1	77	-	1	70	-	1	76	-	1	88	-	1	92	-	1
89	-	1	78	-	1	71	-	1	77	-	1	89	-	1	93	-	1
90	-	1	79	-	1	72	-	1	78	-	1	90	-	1	94	-	1
91	-	1	80	-	1	73	-	1	79	-	1	91	-	1	95	-	1
92	-	1	81	-	1	74	-	1	80	-	1	92	-	1	96	-	1
93	-	1	82	-	1	75	-	1	81	-	1	93	-	1	97	-	1
94	-	1	83	-	1	76	-	1	82	-	1	94	-	1	98	41	1
95	-	1	84	-	1	77	-	1	83	-	1	99	-	1			
96	-	1	85	-	1	78	-	1	84	-	1	4 225 00			4 226 00		
97	-	1	86	-	1	79	-	1	85	-	1						
98	-	1	87	-	1	80	-	1	86	-	1	80	53	1			
99	-	1	88	-	1	81	-	1	87	-	1	82	-	1	4 228 00		
4 221 00			89	-	1	82	-	1	88	-	1	4 228 00	38	1			
			90	-	1	83	-	1	89	-	1	01	-	1			
4 221 00	42	1	91	-	1	84	-	1	90	-	1	02	-	1			
01	-	1	92	-	1	85	-	1	91	-	1	03	-	1			
02	-	1	93	-	1	86	-	1	92	-	1	04	45	1			
03	-	1	94	-	1	87	-	1	93	-	1	05	-	1			
4 222 00			95	-	1	88	-	1	94	-	1	4 223 00					
			96	-	1	89	-	1	95	-	1				4 223 00	47	1
4 223 00			97	-	1	90	-	1	99	47	1	01	-	1			
			01	-	1	91	-	1	4 224 00			4 224 01	48	1			
02	-	1	92	-	1	02	-	1				02	-	1			
03	-	1	93	-	1	03	-	1	03	-	1						
04	-	1	94	-	1	04	-	1	04	-	1						
05	-	1	95	-	1	05	-	1	05	-	1						
06	-	1	96	-	1	06	-	1	06	-	1						
07	-	1	97	-	1	07	-	1	07	-	1						
08	-	1	98	-	1	08	-	1	08	-	1						
09	-	1	99	-	1	09	-	1	09	-	1						
10	-	1				10	-	1	10	-	1						
11	-	1				11	-	1	11	-	1						
12	-	1				12	-	1	12	-	1						
13	-	1				13	-	1	13	-	1						



FOLLOW US ON

-  legrand.com
-  youtube.com/user/legrand
-  twitter.com/legrand_news
-  pinterest.com/legrandgroup



World Headquarters
and International Department
87045 Limoges Cedex - France
Tel.: + 33 (0) 5 55 06 87 87
Fax: + 33 (0) 5 55 06 74 55