

EMERGENCY LIGHTING

**Designed
for discretion.**
The most
integrated



X-LIGHT
360





X-LIGHT 360

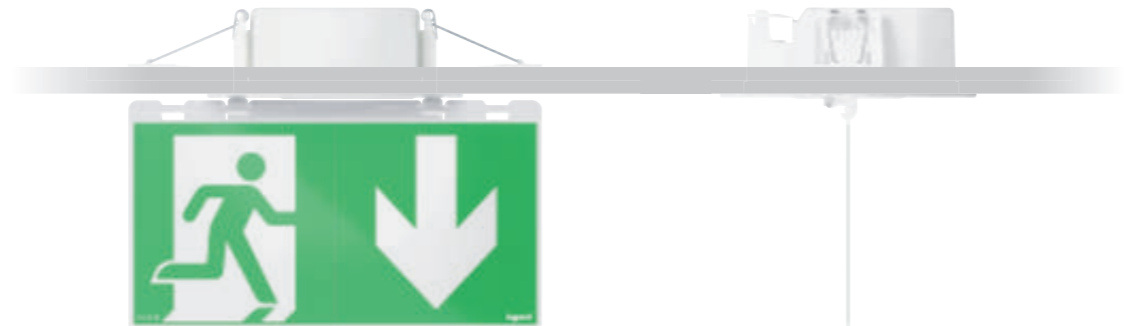
The slimmest unit,
integrated and easily
installed in order to
provide the emergency
lighting functions.



eXit

eXtra

eXperience



Perfect integration

In all types of building where a discreet solution is required

Recessed solution

All-in-one solution, for ease of installation without accessories. This directly recessed emergency luminaire has supporting tabs to provide maximum protection for fragile false ceiling.

Total discretion

With a high-quality recessed finish which is suitable for different needs, thanks to its new design, the round recessed X-Light 360 offers total discretion for perfect integration in different types of building.



New format

Round recessed model, the shape most commonly used in false ceiling installations



1

Design

Round recessed emergency lighting unit, ultra-slim for total discretion and maximum safety

2

Technical performance

- 100% LED
- Emergency duration: 1, 2 & 3 hrs
- Lumen output: 100 to 350 lm
- Set to rest mode remotely using remote controls*

3

Rating

- Ingress protection: IP42
- Shock resistance: IK 07

4

Test modes

- Standard
- Autotest

5

Operating modes

- Non-Permanent
- Permanent/Non-Permanent

6

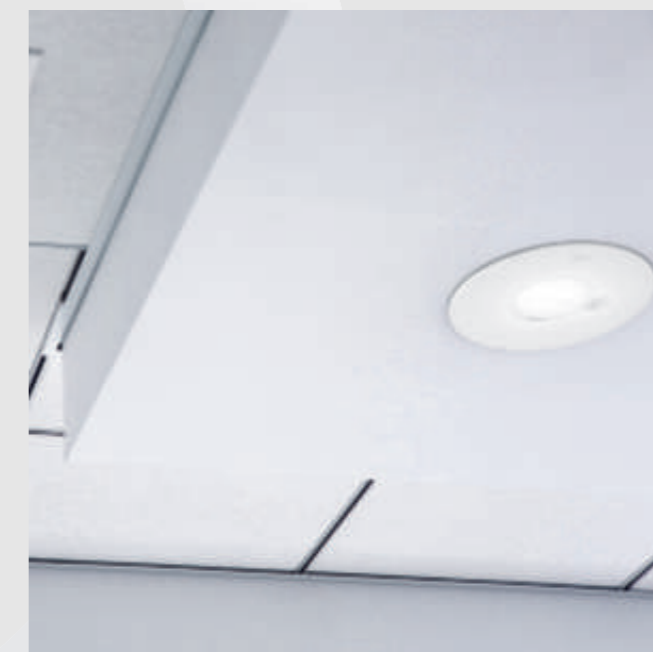
Dimensions

- Ø 125 mm external
- 2 mm tickness
- 42 mm depth
- Ø 110 mm cut-out

* Legrand Cat.Nos 0 039 00/0 039 01



X-Light 360 ensures evacuation lighting with perfect integration.



X-Light 360 also provides anti-panic lighting for open areas without label.

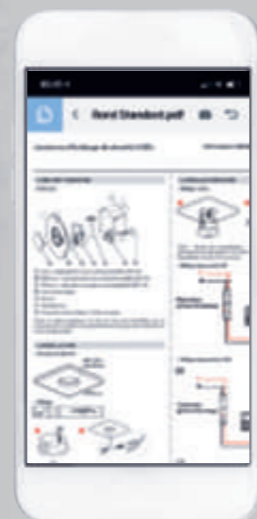


X-Light 360 has been specially designed with an understated appearance that can easily be integrated in any project.

Digital maintenance

Access information from your smartphone

Thanks to the QR code on the back of the product, you can access the technical data sheet instantly: maintenance instructions, technical characteristics, etc



Scanning...

Quick & intuitive to install

Perfect recessed integration in false ceilings, without an accessory



Plug-in connection terminals to ensure easy wiring

X-Light 360 lighting units are equipped with plug-in screw terminal to ensure quick and easy installation in any situation.



SNAP-OFF SUPPORTING TABS
To protect fragile false ceiling during installation.



SIGNALLING PLATE
Quick and easy to install thanks to the marked fixing points for the self-drilling screws.



UNIVERSAL EVACUATION LABEL
- Adhesive
- Arrows can be turned in all 4 directions
- 100 x 200 mm format

Ecology & sustainable development core of our offer



ECO DESIGN

Our offer is specifically designed to be more environmentally-friendly.

- Reduction of consumption and waste



PACKAGING

Our innovative eco packaging is designed to protect the environment.

- 100% recyclable packaging, made from 80% recycled cardboard
- Plastic-free
- QR code on product: digital information for less paper



TECHNOLOGY

The components world is changing rapidly, and we are incorporating the latest technologies in our products to ensure the best possible performance and respect for the environment.

- 100% LED: ensuring safety by using less energy with less pollution



DESIGNED & MANUFACTURED IN COMPLIANCE WITH FOLLOWING STANDARDS:

- IEC 60598-2-22 (INTERNATIONAL)
- EN 60598-2-22 (EUROPEAN)
- CERTIFIED BY AN OFFICIAL CENTRAL LABORATORY FOR THE ELECTROTECHNICAL INDUSTRY

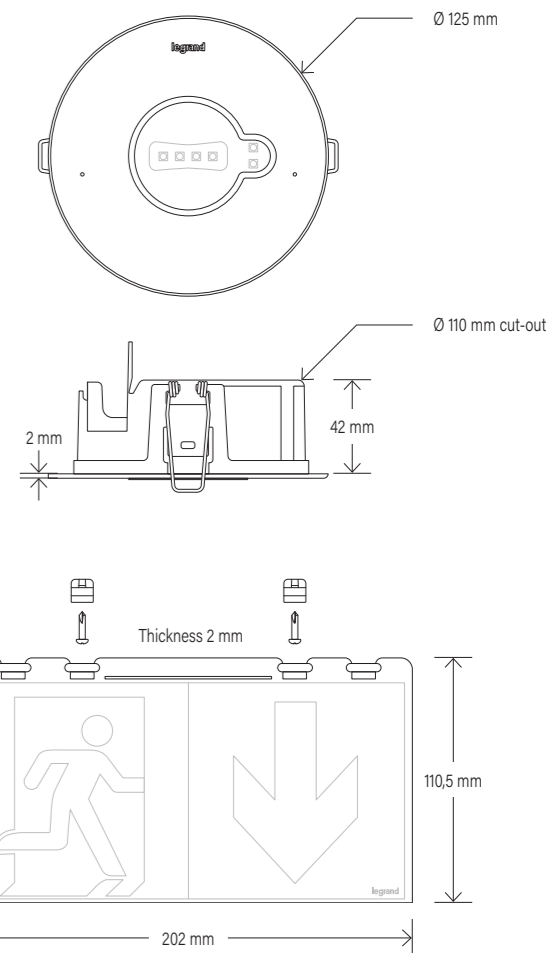


X-LIGHT 360 UNITS

Cat.No	Test modes		Lumen output (lm)	Duration (H)	Operating modes		Battery (type)	
	standard	autotest			M/NM	NM	Ni-Cd	NiMH
6 600 42	•		100	1	•		•	
6 600 44	•		200	1	•		•	
6 600 44	•		350	1	•			•
6 600 47	•		200	2	•			•
6 600 42		•	100	1	•			•
6 601 45		•	350	1	•			•
6 601 47		•	200	2	•			•
6 600 32	•		100	1		•	•	
6 600 48	•		100	3	•		•	
6 601 46		•	100	3	•			•



DIMENSIONS



SIGNALLING PLATE



Vertical transparent plate for evacuation signalling
Cat.No 6 601 93
(must be completed with adhesive evacuation label)

LABELS

100 x 200 mm format, adhesive labels.
Available in several languages
(English, Spanish, French, etc)



6 616 70



6 616 71



6 616 72



6 616 90



6 616 91



6 616 80



6 616 88

REMOTE CONTROL UNITS



0 039 00

0 039 01

Emergency lighting units can be set to rest mode remotely using remote control devices



FOLLOW
US ON

@ www.legrandgroup.com

 youtube.com/user/legrand

 facebook.com/Legrand

 twitter.com/Legrand

 pinterest.com/legrandgroup

 instagram.com/legrandnews



Head Office
and International Department
87045 Limoges Cedex - France
Tel: +33(0)5 55 06 87 87
Fax: +33(0)5 55 06 74 55