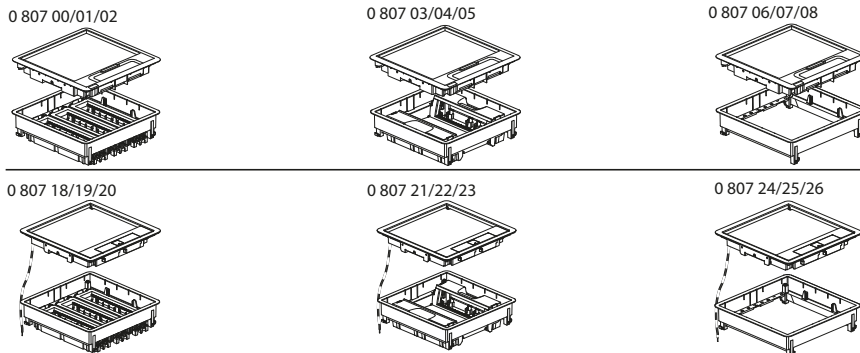


Frame and lid floor boxes for raised floor

Cat. No(s): 0 807 00 to 08 - 0 807 18 to 0 807 26 - 0 880 15 to 17 - 0880 45 to 47 - 0 880 98/99 - 981350/51 - 981366 to 374 - 981376 to 378



Contents	Page
1. Use.....	1
2. Range.....	1
3. Dimensions	2 to 4
4. Installation	5 to 6
5. Accessories	6
6. Spare parts.....	7
7. General characteristics.....	8
8. Care.....	8
9. Standards & Approvals.....	8

1. USE

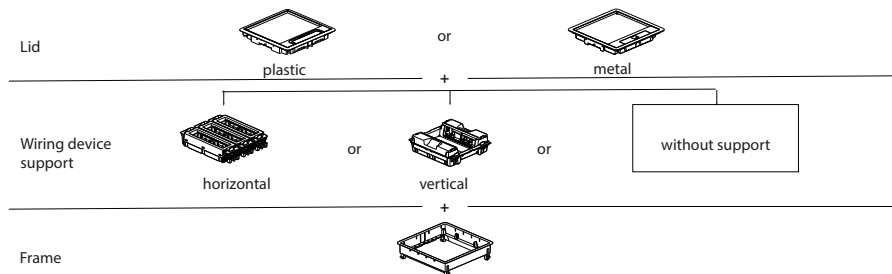
Frame and lid floor boxes, supplied in kit, to install in a raised floor of any kind of tertiary buildings (offices, public building, hospitals, schools/universities, shops, showrooms, hotels...). To be equipped with power & data sockets, size 45 mm chargers USB. Possibility to choose between different finishes (plastic & metal). We advise to use 2p+E sockets, 45° inclined version with upward earth pin.

We advise you to use gloves when handling the products.



2. RANGE

2.1 Composition of a floor box cat. no



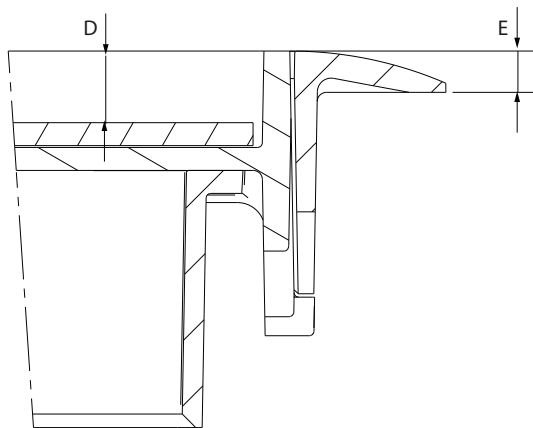
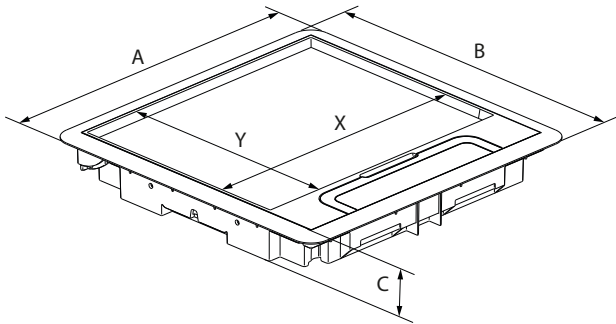
2.2 Selection chart

Floor boxes	Type of lid	Floor boxes with wiring devices supports for sockets						Access cover without wiring devices support		
		in horizontal position			in vertical position			minimum height of raised floor = 73 mm		
		minimum height of raised floor = 80 mm*			minimum height of raised floor = 80 mm			minimum height of raised floor = 73 mm		
		Modules capacity (modules nr)						Dimensions (mm)		
		12 (3x4)	18 (3x6)	24 (3x8)	8 (2x4)	12 (2x6)	16 (2x8)	203 x 286	241 x 286	286 x 286
	plastic	0 807 00	0 807 01	0 807 02	0 807 03	0 807 04	0 807 05	0 807 06	0 807 07	0 807 08
	metal	0 807 18	0 807 19	0 807 20	0 807 21	0 807 22	0 807 23	0 807 24	0 807 25	0 807 26
Stainless steel finishing plates (optional)	for floor boxes with	+			+			+		
	plastic lid	0 880 15	0 880 16	0 880 17	0 880 15	0 880 16	0 880 17	0 880 15	0 880 16	0 880 17
	metal lid	0 880 45	0 880 46	0 880 47	0 880 45	0 880 46	0 880 47	0 880 45	0 880 46	0 880 47

* for the use of straight plugs, see minimum floor height in page 6

3. DIMENSIONS

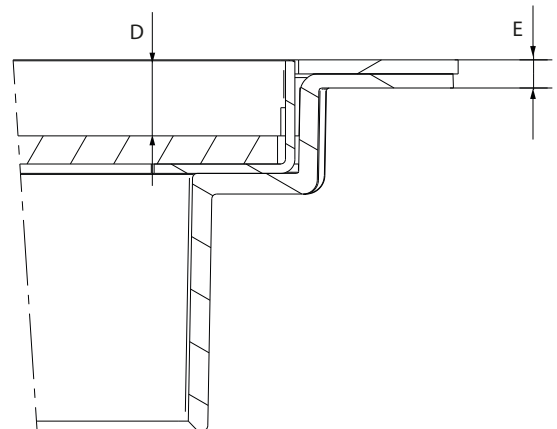
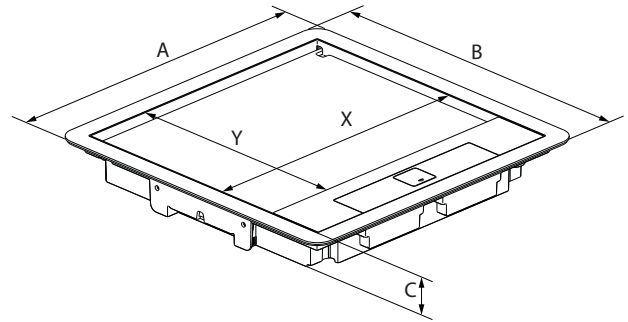
■ 3.1 Plastic lid RAL 7031



for frame and lid floor boxes & access covers cat. nos	Dimensions (mm)						
	A	B	C	X	Y	D	E
0 807 00/03/06	286	203	41	246	118	8	4.5
0 807 01/04/07		241			156		
0 807 02/05/08		286			201		

3. DIMENSIONS (cont.)

■ 3.2 Metal lid stainless steel finish



for frame and lid floor boxes & access covers cat. nos	Dimensions (mm)						
	A	B	C	X	Y	D	E
0 807 18/21/24	286	203	39.7	249.2	117.4	8	3.2
0 807 19/22/25		241			155.4		
0 807 20/23/26		286			200.4		

3. DIMENSIONS (cont.)

■ 3.3 Stainless steel finishing plates

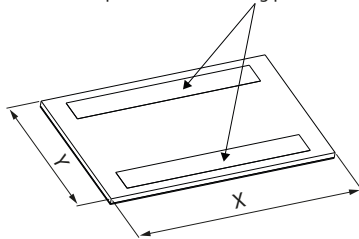
3.3.1 for plastic lids

Cat. nos	Modules capacity	for frame and lid floor boxes & access covers cat. nos
0 880 15	8/12	0 807 00/03/06
0 880 16	12/18	0 807 01/04/07
0 880 17	16/24	0 807 02/05/08

3.3.2 for metal lids

Cat. nos	Modules capacity	for frame and lid floor boxes & access covers cat. nos
0 880 45	8/12	0 807 18/21/24
0 880 46	12/18	0 807 19/22/25
0 880 47	16/24	0 807 20/23/26

Double sided adhesive tape to fix the finishing plate on the frame & lid

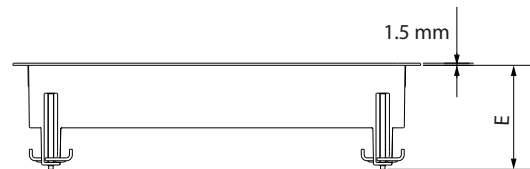
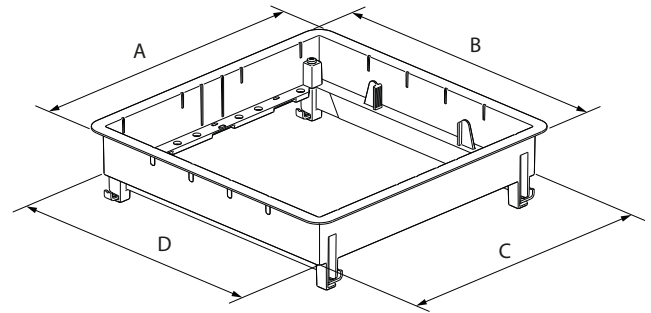


Cat. nos	Dimensions (mm)	
	X	Y
0 880 15	244	116
0 880 16		154
0 880 17		199
0 880 45	248	116
0 880 46		154
0 880 47		199

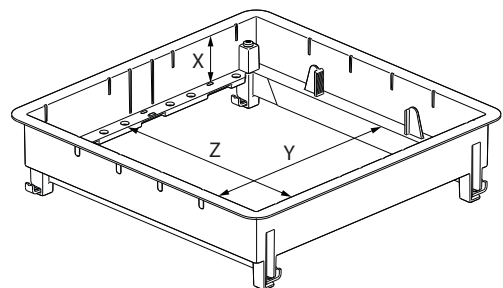
Remove protection adhesive tape from finishing plates (lid & plate) **ONLY WHEN THE BUILDING IS READY TO RECEIVE ITS OCCUPANTS** (= heated and normal hygrometry rate 45-65 %).

3. DIMENSIONS (cont.)

■ 3.4 Frames for floor boxes & access covers



for floor boxes & access covers cat. nos	Dimensions (mm)				
	A	B	C	D	E
0 807 00/03/06/18/21/24	285	202	264	181	72.7
0 807 01/04/07/19/22/25		240		219	
0 807 02/05/08/20/23/26		285		264	



for floor boxes & access covers cat. nos	Dimensions (mm)		
	X	Y	Z
0 807 00/03/06/18/21/24	40.2	227.6	148
0 807 01/04/07/19/22/25			186
0 807 02/05/08/20/23/26			231

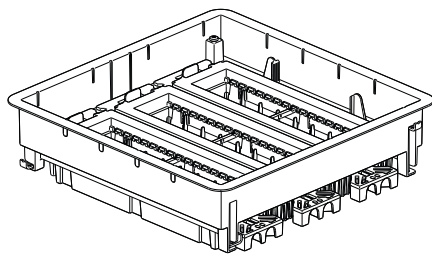
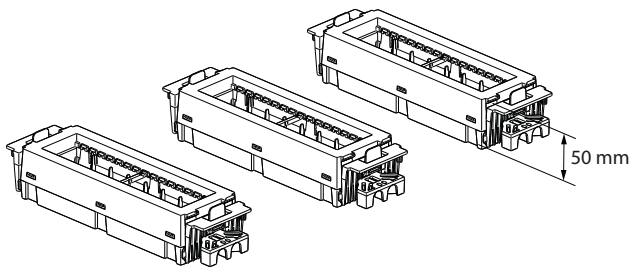
3. DIMENSIONS (cont.)

■ **3.5 Wiring devices supports**

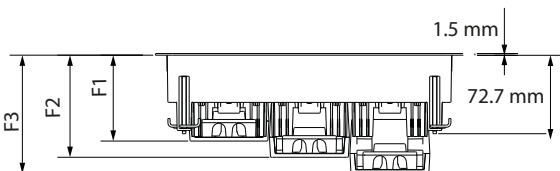
3.5.1 for sockets in horizontal position

cat. nos 0 807 00/01/02/18/19/20

3 separate supports



3 height adjustments *

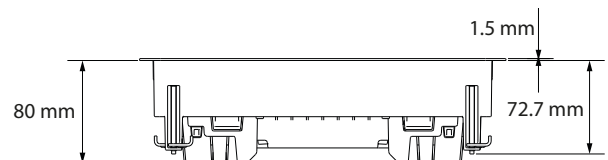
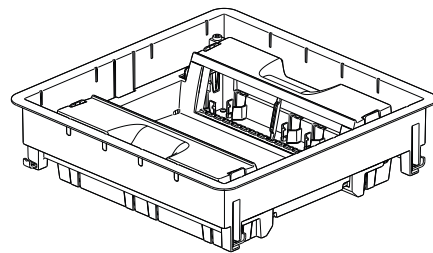
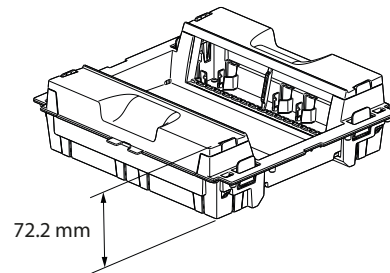


* F1/F2/F3: refer to page 6, chapter 4.4.2

3. DIMENSIONS (cont.)

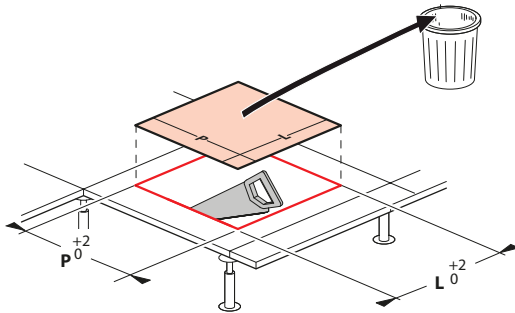
3.5.2 for sockets in vertical position

cat. nos 0 807 03/04/05/21/22/23



4. INSTALLATION

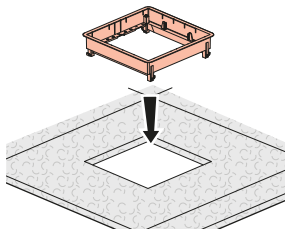
4.1 Floor cutout



A template is provided with the frame & lid floor boxes & access covers to assist in marking the floor cutout to be made.

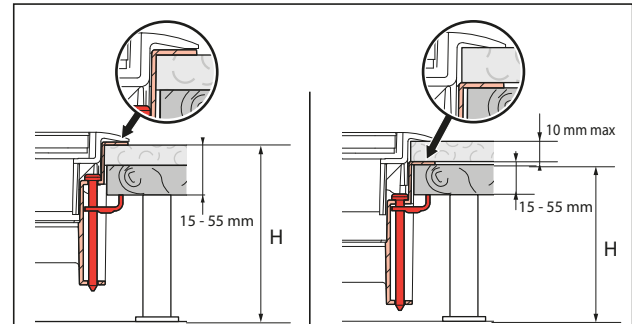
Cat. nos	Dimensions (mm)	
	P	L
0 807 00/03/06/18/21/24	265	182
0 807 01/04/07/19/22/25		220
0 807 02/05/08/20/23/26		265

4.2 Floor box frame installation



4. INSTALLATION (cont.)

4.3 Floor height and thickness of the floor finish depending on the position of the frame (above or below the floor finish)



- frame installation + lid after floor finishing is completed

- frame installation before floor finishing is completed
- lid installation after floor finishing is completed

Floor boxes & access covers cat. nos	H mini (mm)
0 807 00/01/02/18/19/20	80*
0 807 03/04/05/21/22/23	80
0 807 06/07/08/24/25/26	73

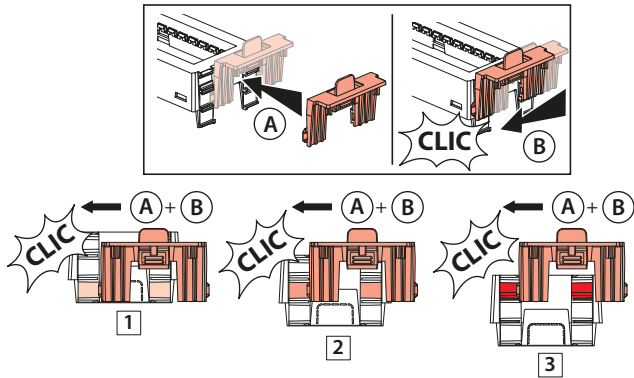
*

- 80 mm minimum for position 1 of wiring devices support (see page 6)
- 95 mm minimum for position 2 of wiring devices support (see page 6)
- 110 mm minimum for position 3 of wiring devices support (see page 6)

4. INSTALLATION (cont.)

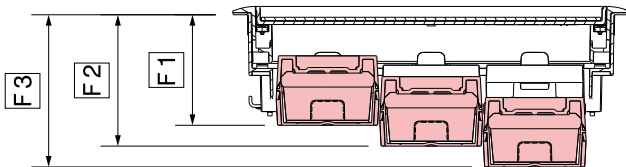
■ 4.4 Wiring devices support for sockets in horizontal position

4.4.1 Height adjustment : 3 positions



4.4.2 Minimum height of floor according to the wiring devices support position

F1	80 mm
F2	95 mm
F3	110 mm



4.4.3 Restrictions depending on the wiring devices

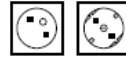
Depending on the type of plugs used, the position of the wiring device support must be adjusted to ensure the lid can be closed properly (see table below for restrictions)

Angled plug	1	2	3
Straight plug	✗	2	3
RJ45 plug	✗	2	3
HDMI plug	✗	✗	3
Fiber optic plug	✗	✗	3

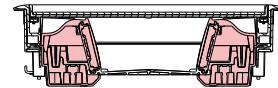
4. INSTALLATION (cont.)

■ 4.5 Wiring devices support for sockets in vertical position

In order to connect all types of user plugs (straight and angled) and to be able to close correctly the lid, we advise to use 2 P+E sockets, 45° inclined version with upward earth pin, as below :





4.5.1 Restrictions depending on the wiring devices



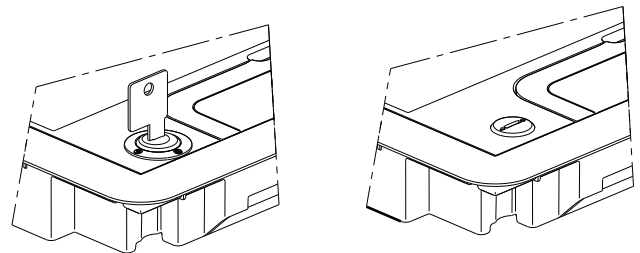
Angled plug	OK
Straight plug	OK
RJ45 plug	OK
HDMI plug	OK
Fiber optic plug	OK

5. ACCESSORIES

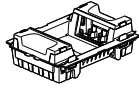
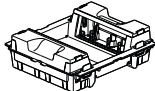
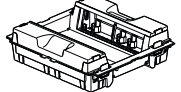
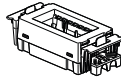
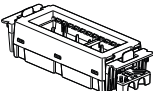
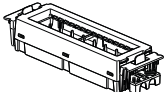
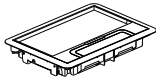
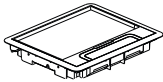
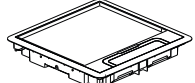
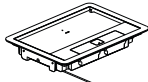
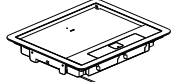
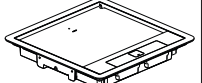
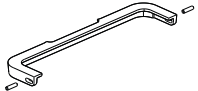

Locking system cat. nos 0 880 98/99

for		
	with key	without key
for floor boxes with plastic lid*	0 880 98	0 880 99
for floor boxes with metal lid	on demand	

* requires drilling the cover at the indicated location.



6. SPARE PARTS

Description	Capacity	Spare parts cat. nos		for floor boxes cat. nos
Wiring devices supports for sockets in vertical position	8 modules	981369		0 807 03/21
	12 modules	981370		0 807 04/22
	16 modules	981371		0 807 05/23
Wiring devices supports for sockets in horizontal position	4 modules	981366		0 807 00/18
	6 modules	981367		0 807 01/19
	8 modules	981368		0 807 02/20
Plastic lid	286 x 203 mm	981372		0 807 00/03/06
	286 x 241 mm	981373		0 807 01/04/07
	286 x 286 mm	981374		0 807 02/05/08
Metal lid	286 x 203 mm	981376		0 807 18/21/24
	286 x 241 mm	981377		0 807 19/22/25
	286 x 286 mm	981378		0 807 20/23/26
Handle for plastic lid	-	981350		0 807 00 to 08
Cable outlet for plastic lid	-	981351		0 807 00 to 08

7. GENERAL CHARACTERISTICS

■ 7.1 Mechanical characteristics

Protection to:

IP30 with the cover closed
IP20 with the cover opened

Resistance to impacts: IK08 with the cover closed

Self-extinguishing: + 650°C/30s for parts made of insulating materials according to EN60095-2-11
The inlets of conduits or cables are pre-cutting for an easier installation.

Classification floor boxes according to the IEC 60670-1 et IEC 60670-23 standard:

7.1 The nature of material	Composite
7.2 The type of installation	Flush or semi-flush in hollow walls, hollow ceilings, hollow floors
7.2.1.1	Not suitable for installation into concrete
7.3 The type (s) of inlets	Without inlets. Inlet openings will be made during installation
7.4 The clamping means	With cable retention
7.5 The minimum temperature during installation and use	- 5 °C
7.6 The degree of protection against harmful effects due to the ingress of solid foreign objects	IP30 lid closed
7.7 The degree of protection against harmful effects due to the ingress of water	IPX0
7.9 The provision for fixing accessories to boxes	Boxes intended to receive other means
7.101 The type of lid	Enclosure with a removable lid
7.102 According to floor treatment	Floor boxes or enclosures intended to be installed in floor subjected to dry treatment

Resistance to a vertical load of 500N applied to a surface of 1 cm² according to IEC Standard 60670-23.

Maximum vertical load Resistance

Frame & lid floor boxes for raised floor	Cat. nos	small surface (1 cm ²)	large surface (Ø 130 mm)
plastic lid	0 807 00 to 08	1000 N	3000 N
metal lid	0 807 18 to 26	1500 N	4000 N

Safety : Check that the system is earthed for cat. nos of frame and lid floor boxes and access covers with metal cover (0 807 18/19/20/21/22/23/24/25/26)

7. GENERAL CHARACTERISTICS (cont.)

■ 7.2 Material characteristics

Material list for frame and lid floor boxes for raised floor

. Plastic materials:

- PC RAL 7016 (frame & internal parts)
- ABS grey RAL 7031 (lid)
- ABS RAL 7016 (internal parts)
- TPEE (élastomère)
- PA 6 glass fibers
- PA 66 glass fibers

. Metallic materials:

- . Galvanized steel (Z140)
- . Stainless steel
- . Galvanized steel (Z275)

8. CARE

Superficial cleaning with a cloth. Do not use abrasive products or detergents.

Caution:

Always test before using other special cleaning products.

9. STANDARDS & APPROVALS

Compliant with CEI 60670-1 & CEI 60670-23 standards.
See e. catalogue.