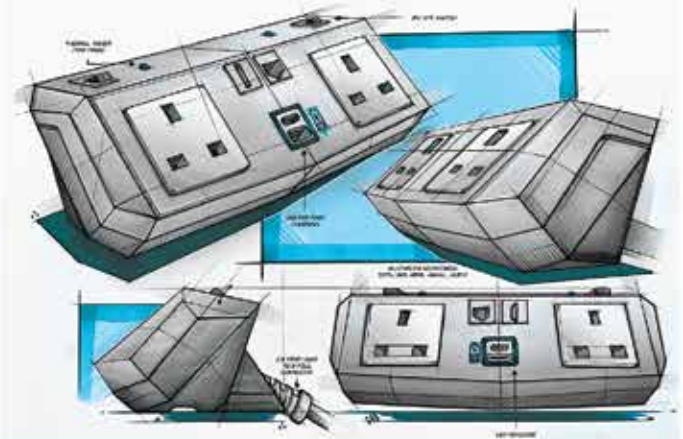


AN IDEAL OFFICE SOLUTION



PRODUCT CATALOGUE



Business Overview

About Us.....Pg. 01
Locations, Mission & Vision.....Pg. 02

What We Do

Product Categories.....Pg 04
In-house Production of Power Modules.....Pg 05
IMP System.....Pg. 06
USB charger.....Pg. 08
Spare fuse.....Pg. 09
BS6396: 2022.....Pg. 10
Resettable fuse.....Pg. 12
Certification and accreditation.....Pg. 13

POWER MODULES

PMK Under desk.....Pg. 15
LINK Under desk.....Pg. 18
Fusion Under desk.....Pg. 21

ON DESK POWER MODULES

TRM On desk.....Pg. 24
Chroma On desk.....Pg. 27
Flexi On desk.....Pg. 30

IN DESK POWER MODULES

Level-E In desk.....Pg. 33
Level-C In desk.....Pg. 36
Aero Flip In desk.....Pg. 39
Port EI In desk.....Pg. 42
Conference In desk.....Pg. 45

MONITOR ARMS

STRELA.....Pg. 50
FSA.....Pg. 53
SIGMA.....Pg. 56

CABLES & CABLE MANAGEMENT

Power and data leads.....Pg. 60
ROSP.....Pg. 62
HASP.....Pg. 64
Wire Basket.....Pg. 66

CPU & Laptop Holders

CPU Holders.....Pg. 68
Laptop Holder.....Pg. 70

Components

Components for IMP Integration.....Pg. 71
Connecting power modules safely.....Pg. 72



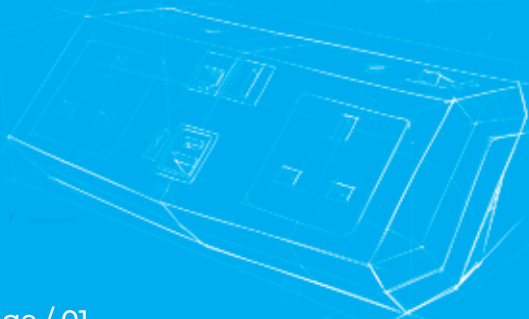
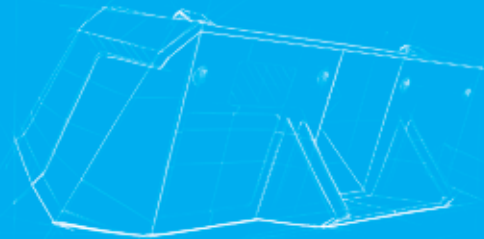


ABOUT US

Initially established as a modest family business Accessory Bits Limited, now ABL, continues to be a growing brand providing innovative and reliable products to the office furniture market.

We are a manufacturer of power modules to suit the needs of every type of office.

Our full range of ergonomic office accessories includes flat-screen monitor arms and cable management products that have been designed to help the end user not only work safely but also reap the rewards of working efficiently in the workplace.



BRITISH OWNED MANUFACTURER

2003. Accessory Bits Ltd founded in Wellingborough, the UK.

2007. ABL-Production DOO established in Cacak, Serbia.

INTERNATIONAL CERTIFICATION

Our power modules are manufactured and certified under BS5733 and BSI Kitemark 686563. See our product pages for more info.

ABL's power modules are also manufactured according to the international standards IEC 60884-1:2002 + A1:2006 and IEC 60884-2-7:2011 + A1:2013 related to plugs and socket-outlets for household and similar purpose.

LOCATIONS

UNITED KINGDOM

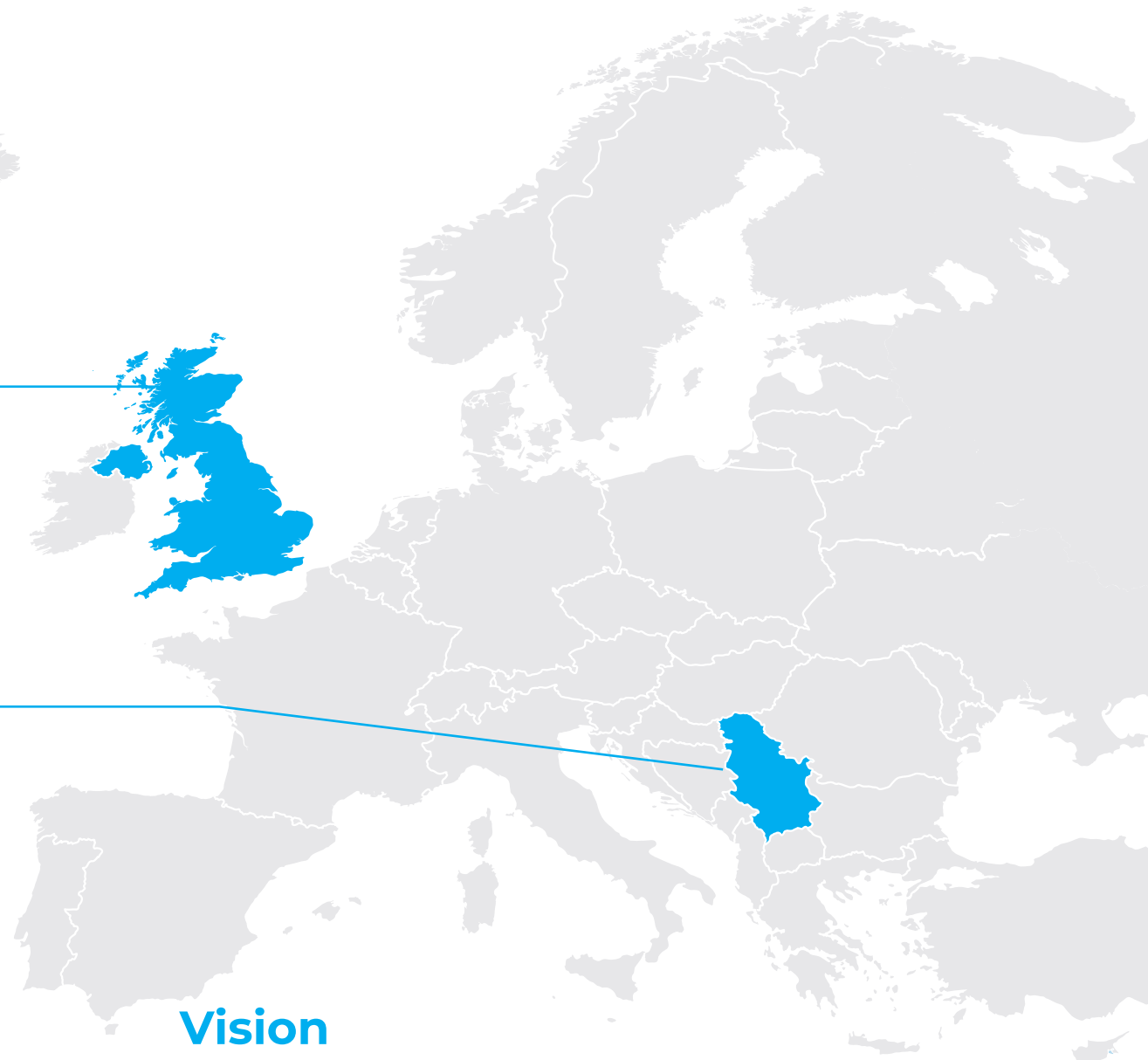


Wellingborough - Distribution Centre for the UK and Ireland

SERBIA



Cacak - Factory and Distribution Centre for EMEA region



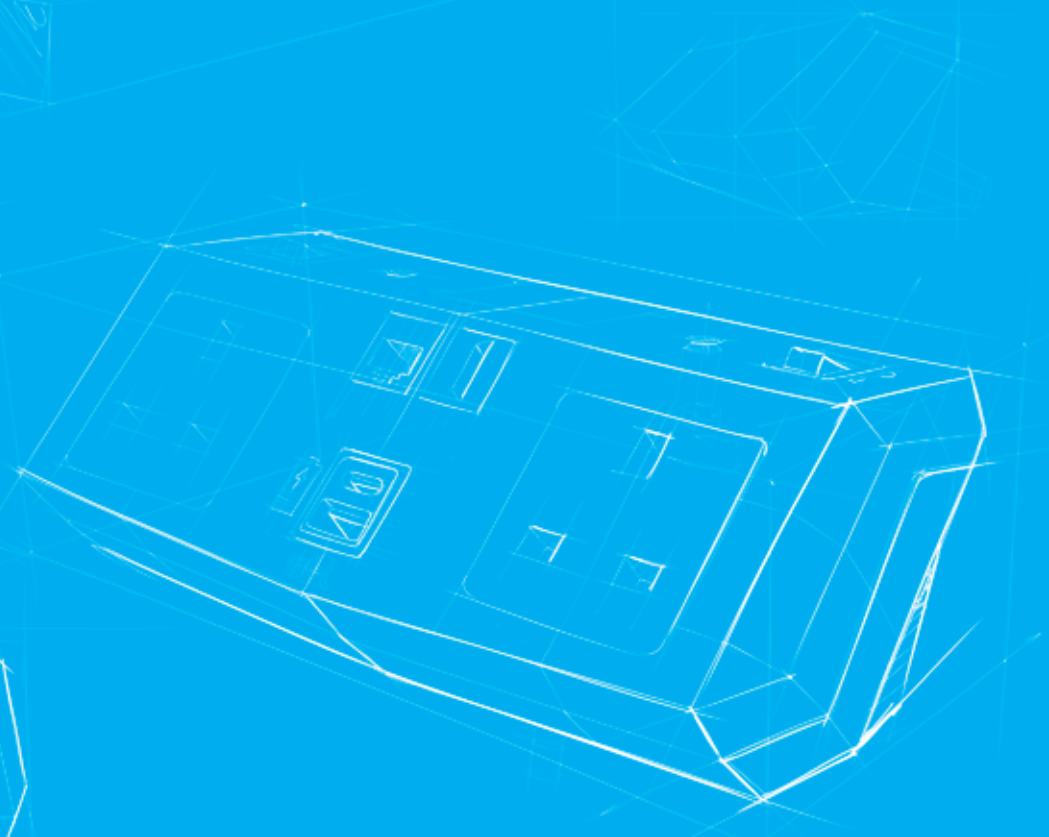
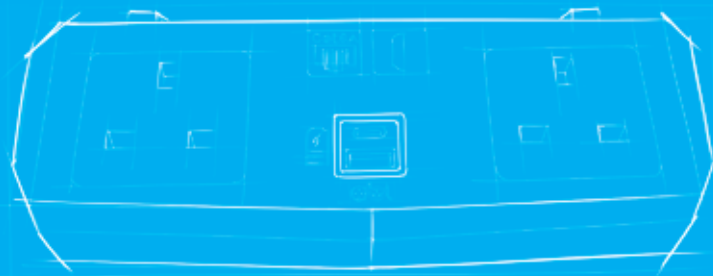
Mission

Our mission is to fully meet our customers' requirements and expectations in terms of quality, ergonomics, functionality and safety through continuous improvement of all business processes, innovations and the use of modern technology.

Vision

Our vision is to create a safe, functional, and eco-friendly environment for people to achieve their goals while using technology through the development and distribution of well-designed, well-made and well-priced accessories.

WHAT WE DO



With a commitment to ensure safety and protect partner's investments, **Quality, Ergonomics, and Functionality** are pillars that reflect everything ABL does.



OFFICE



EDUCATION



LEISURE



HEALTHCARE



HOME OFFICE



Product categories:



POWER MODULES



MONITOR ARMS



**CABLES & CABLE
MANAGEMENT**



**CPU AND LAPTOP
HOLDERS**



IN-HOUSE PRODUCTION OF POWER MODULES

A fact about ABL of which some customers may not be aware is that our entire range of power modules are manufactured 100% in-house at our ISO-accredited production facility in Europe.

One of the key advantages of our in-house production facility is our ability to respond quickly and manufacture for a customer when they have specific requirements for power modules.

The assembly line process ends with a rigorous quality control inspection where every power module is issued with a unique QR code for tracking purposes.

Finally, due to the fact that all our power modules are manufactured in Europe, they all have EUR1 form which provides tax-free import for our customers within the EU.

Having access to our own in-house production allows us to efficiently support our customers by delivering high-quality products that meet all EU and UK Health and Safety compliance regulations that are relevant to every working environment.



IMP SYSTEM

ABL's **Interchangeable Multimedia Plate System (IMP)** allows for the media connections to be changed at any point without the use of tools.

Simply specify the connections you would like, and click the IMP plates in. If your media connection needs changing, you simply need to replace the media plate, not the whole module. You can even have a Blank carrier in case you wish to add media to your module in the future. This is a great way to keep your module up to date and reduce electrical waste.

Both **IMP system and all modular parts** are manufactured in-house to ensure compliance with British and EU Standards.

This recognition of consistent quality and performance signifies reduced risk for the purchaser and the end-user; and when surveyed, consumers have stated that the Kitemark provides trust and reassurance in the company's products.





IMP SYSTEM

IMP Single Keystone Carrier
for RJ45/USB/HDMI



IMP Double Keystone Carrier
for RJ45/USB/HDMI



IMP Single VGA Carrier



IMP Audio & VGA Carrier



IMP Blank carrier



AVAILABLE MEDIA CONNECTIONS THAT CAN BE INSTALLED INTO IMP CARRIERS



DATA



USB



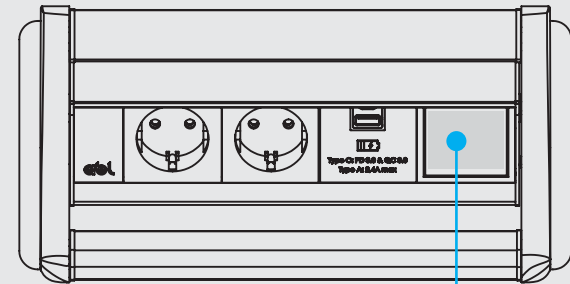
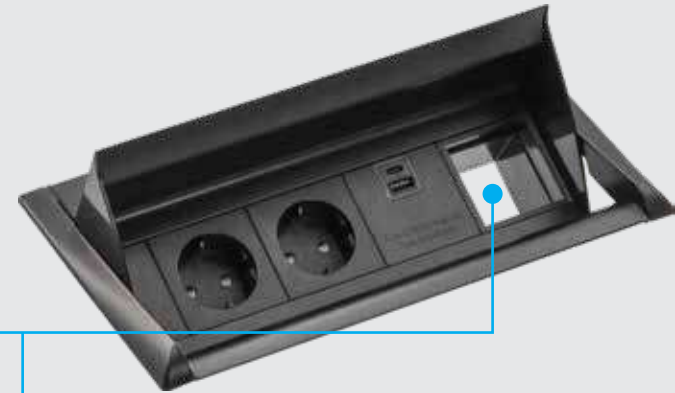
HDMI



VGA



AUDIO



A&C TYPE USB CHARGER

Our USB A+C Charger uses device recognition technology to supply the correct amount of power to recharge your device as quickly and safely as possible. It will never overcharge or overheat and will prevent draining your device's battery life span prematurely. You will never again need to worry about leaving your device plugged in – it's the ultimate power management solution!

ABL's fast charger provides type A and type C charging ports. Providing both socket types in the fast charger means all types of devices, old and new, are catered for and your installations are future proofed.

Dual USB A+C fast charger available in our IN, UNDER and ON desk power modules allows you to charge your device safely since all our USB chargers only provide the optimum supply needed. With the latest phones, for a low 20% battery boost, all that is needed is a quick 10-minute charge.

ABL's USB PD & QC Power Modules allow you to add USB Power Delivery and Qualcomm Quick Charge technology to your office desk such that it is easily accessible. Our USB chargers support multiple AC power ports as well as USB PD 3.0 & Qualcomm Quick Charge 3.0 through a USB Type-C port.

USB Type C: PD3.0

- 5 Volts x 3 Amps = 15 Watts
- 9 Volts x 3 Amps = 27 Watts
- 12 Volts x 2.5 Amps = 30 Watts
- 15 Volts x 2 Amps = 30 Watts
- 20 Volts x 1.5 Amps = 30 Watts

QC3.0

- 3.6/6 Volts x 3 Amps = 18 Watts
- 6.2/9 Volts x 2 Amps = 18 Watts
- 9.2/12Volts x 1.5 Amps = 18 Watts

USB Type A:

- 5 Volts x 2.4 Amps = 12 Watts

USB power indicator:
Blue LED light illuminated.



USB ALLOWS
FAST CHARGING



USB POWER
INDICATOR



INTELLIGENT USB
TYPE C WITH PD

SPARE FUSE

Aside from complying with British standards, every single one of ABL's power modules with G socket type – 3.15A and 5A, is equipped with a spare fuse in each socket that is patented to ABL.

Easily replace your spare fuse by simply sliding out the fuse holder with a 5mm flat screwdriver and replace it. No special tools or skills are required, and it takes less than 20 seconds!



SPARE FUSE - REPLACEMENT



WARNING!

Any item of equipment rated in excess of 5 Amp, MUST have a separate power supply, therefore items such as Vacuum Cleaners, Kettles, Coffee Makers and Fan Heaters should not be connected.

The above list serves as a guide only and is not exhaustive.

FAQ RELATED TO BS6396:2022

What is the BS 6396?

The British Standards Institution has published a new revision of BS 6396, which specifies requirements for the provision and assembly of electrical power distribution systems in furniture, excluding special-purpose workstations in laboratories or workshops.

What are the specifications covered by BS 6396:2022?

- This British Standard covers requirements for furniture electrical power distribution systems at rated voltages up to 250 V, supplied by fixed wiring of a 13 A fused plug and socket outlet and/or derived from batteries at a nominal voltage not exceeding 48 V.
- The configurations of socket outlets connected to a single supply shall be:
 - a) No more than four sockets fused or has other overcurrent protection rated at not more than 5 A
 - b) No more than six sockets fused or has other overcurrent protection rated at not more than 3.15 A
- Regarding the permitted number of sockets, the total power of connected ELV components (USB chargers/ Wireless chargers) shall be up to 150 W connected to the single supply.

Note: In case of exceeding 150 W, the number of sockets shall be reduced:

For every 5 A socket removed, max 700 W of ELV shall be connected

For every 3.15 A socket removed, max 500 W of ELV shall be connected

- Circuit breakers integrated into the power modules shall conform to BS EN IEC 60934 and shall be of the non-self-resetting type. Additionally, circuit breakers (resettable fuses/ thermal reset) shall provide one of the following:
 - a) TRIP FREE;
 - b) The operating means shall not be accessible without the use of a tool;
 - c) The operating means shall not be accessible unless the load is disconnected
- A power supply cable shall be not more than 2 m in the exposed length. It shall be ensured that the furniture supplied cables are free of strains and twisting, with appropriate cable segregation provided.

WHAT IS A RESETTABLE FUSE?

Power units in the workplace commonly use a 3.15 A fuse. This is because it gives the best protection to expensive devices such as laptops, tablets and phones, which all draw a relatively low current. It is common however for devices which draw a lot more power to be plugged into on desk units unknowingly.

Unlike a traditional fuse, a resettable thermal fuse will not have to be replaced once the fuse has blown.

A resettable fuse senses the heat in the circuit. However, when the resettable fuse reaches its limit, the internal wire does not melt away. It moves out of alignment to break the circuit. By pressing the reset switch, the circuit will be reconnected, and power will once again be able to flow.

THERMAL FUSES ON YOUR POWER MODULE CAN PROVIDE MANY BENEFITS:

Time can be saved locating the replacement fuses, which can quite easily be misplaced or 'put somewhere safe.' You won't have to go looking for tools needed to access the spent fuse and insert a new fuse.

Money can also be saved on new fuses, and the delivery for the replacements over time. This is great for the individual user, however, when there are hundreds, if not thousands of fused sockets in the workplace, the benefits are magnified.

Huge amounts of the **working day** can be saved by the facilities management team responsible for those power units. It also means you can get back to charging your device again, without delay or interruption!

RESETTABLE FUSE

Fuses are used for many reasons in electrical products; however, the main reason is for safety. A fuse provides protection from short circuits, overcurrent, and other faults. One of the most common reasons a fuse can trip is overloading. This is often caused by an appliance which demands a higher current than the circuit is designed for. In serious cases, overloading can lead to damage to the power supply, the appliance, and even electrical fires. It is therefore extremely important that the correct fuses are in place to make sure that this does not happen!

Individual 3A thermal fuse



TRIP FREE

Thermal resettable fuses

BS 6396: 2022 Electrical systems in furniture

“Circuit breakers integrated into the power modules shall conform to BS EN IEC 60934 and shall be of the non-self-resetting type. Additionally, circuit breakers (resettable fuses/ thermal reset) shall provide one of the following:

- a) TRIP FREE or
 - b) The operating means shall not be accessible without the use of a tool
 - c) The operating means shall not be accessible unless the load is disconnected.”
-

CERTIFICATION AND ACCREDITATION

Our manufacturing plant runs under strict, high-quality UK production standards and in accordance with International standards. ABL holds the following Certificates for quality system management:

- ISO 9001:2015 Quality Control Management
- BSI/British Standards
- IEC 60884-1: 2002+A1:2006+A2:2013

We pride ourselves on the quality of our products, and, to ensure they are manufactured to the highest standards, we adhere to BS5733:2010, allowing our customers to have complete confidence in our products. ABL is the sole bearer of the BSI Kitemark, Certificate Number KM 686563, for its entire range of power modules with 13A sockets.

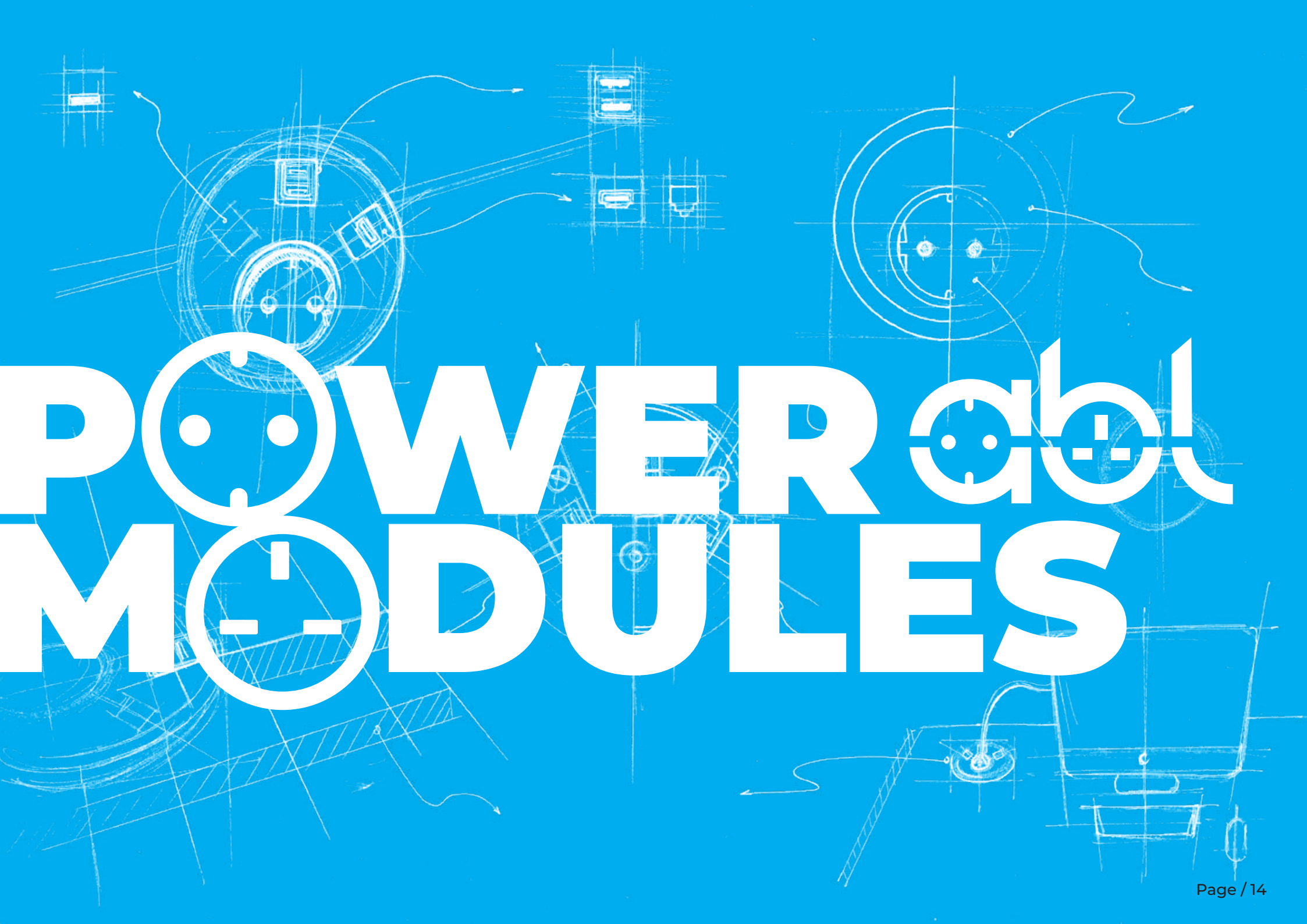
Achieved certification confirms that products have been independently and repeatedly tested by experts.



Certificate No:112152004

Certificate No:189002012

Certificate No:189002012



POWER able MODULES

PMK

UNDER desk power module

The PMK provides a neat and compact solution to your under-desk power requirements.

The PMK is supplied with central fixings to enable the module to be screwed to the underside of a desk or a modesty panel as required.

- CERTIFIED WITH THE BS5733 BSI KITEMARK KM 686563 (UK)
- AVAILABLE IN THREE DIFFERENT CONFIGURATIONS WITH A CHOICE OF E, F AND G TYPE SOCKETS
- INTEGRATED 3 POLE CONNECTOR ENABLES DAISY CHAINING WITH OTHER PMK MODULES. SEE PAGE 73
- IT IS EASILY INSTALLED AND FITS PERFECTLY INTO ABL WIRE BASKET
- THE MODULE IS AVAILABLE IN BLACK ONLY

PRODUCT SPECIFICATION

Choose between E, F and G socket type



3 Pole Connector for daisy chaining

Rated current and voltage:

- 13A/250V (G type socket)
- 16A/250V AC (F, E type socket)

AVAILABLE COLOUR:



AVAILABLE SOCKET TYPES



TYPE E



TYPE F

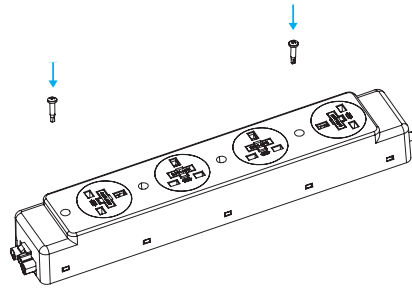


TYPE G



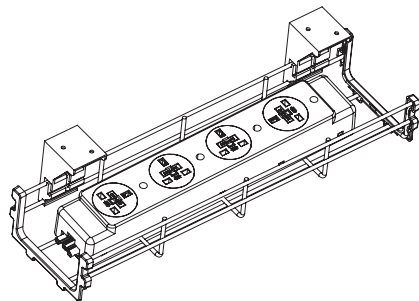


PMK INSTALLATION

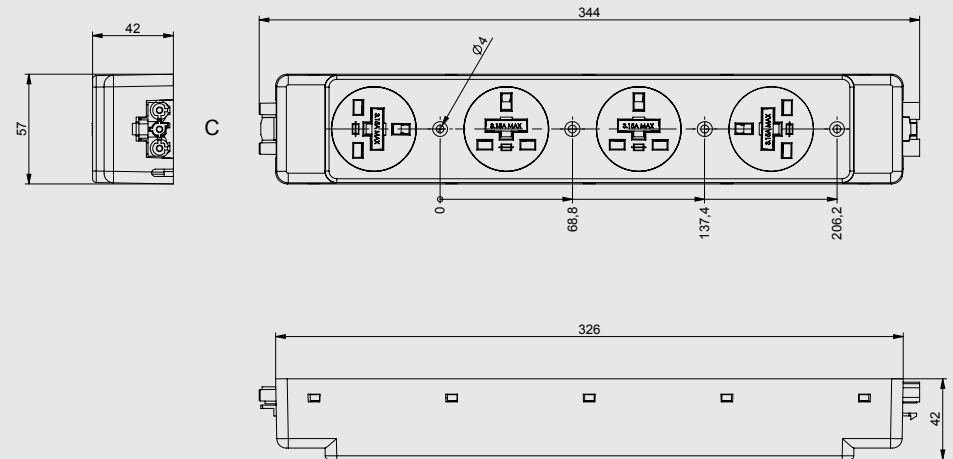


OPTION 1 - FIX THE MODULE ONTO A FLAT SURFACE
Place the screws according to the designated positions on the module

OPTION 2 - FIX THE MODULE INTO A WIRE BASKET
Simply place the module into the wire basket



DIMENSIONS



Number of sockets / Length / Width / Height

2	215 mm	57 mm	42 mm
3	279 mm	57 mm	42 mm
4	344 mm	57 mm	42 mm

LINK

UNDER desk power module



Link is an ideal solution designed to seamlessly integrate into any environment. The Link is the perfect addition to your workspace, whether it's a bustling headquarters or a cosy office.

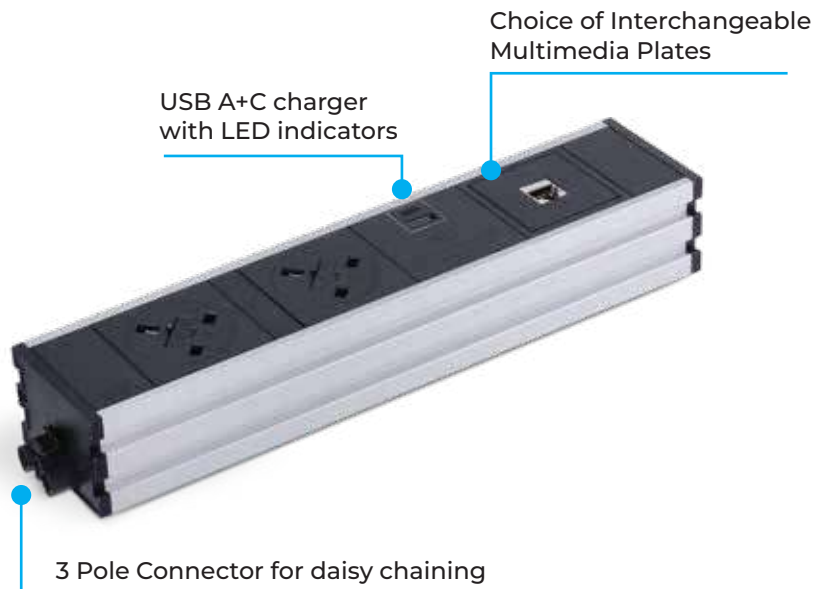
Link may be specified with the full range of interchangeable multimedia connections, fast chargers, and country-specific AC power sockets compliant with the relevant international standards.

- CERTIFIED WITH IEC 60884-1:2002 + A1:2006 AND IEC 60884-2-7:2011 + A1:2013 (EUROPE), COMPLIES WITH BS 5733 (UK)
- AVAILABLE IN UP TO SIX SOCKETS, USB A+C CHARGING PORTS, AND MEDIA CONNECTIONS
- G TYPE SOCKETS ARE INDIVIDUALLY FUSED WITH 3.15A OR 5A FUSE IN COMPLIANCE WITH BS 6396
- INTEGRATED 3 POLE CONNECTOR ENABLES DAISY CHAINING WITH OTHER SIMILAR PRODUCTS. SEE PAGE 73.
- THIS POWER MODULE IS EASILY INSTALLED AND FITS PERFECTLY INTO AN ABL WIRE BASKET
- WHEN USED WITH ABL CONFERENCE, IT IS PERFECTLY SUITABLE FOR MEETING ROOMS



**MADE IN
EUROPE**

PRODUCT SPECIFICATION



Rated current and voltage:

- 13A/250V (G type socket)
- 16A/250V AC (F, E type socket)

AVAILABLE COLOURS:



AVAILABLE SOCKET TYPES

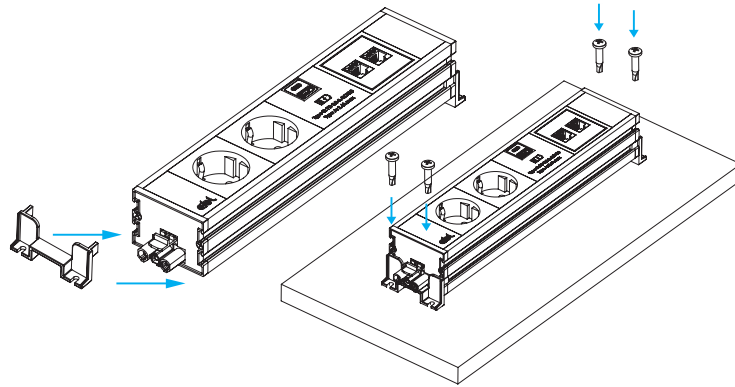


AVAILABLE MEDIA CONNECTIONS





LINK INSTALLATION



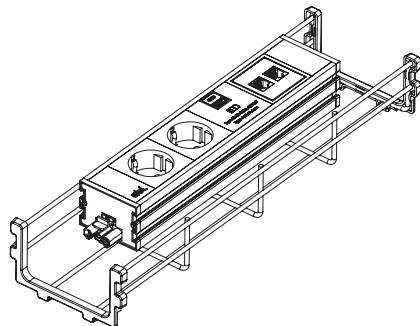
OPTION 1 - FIX THE MODULE ONTO A FLAT SURFACE

Slide the brackets into the profile indents.

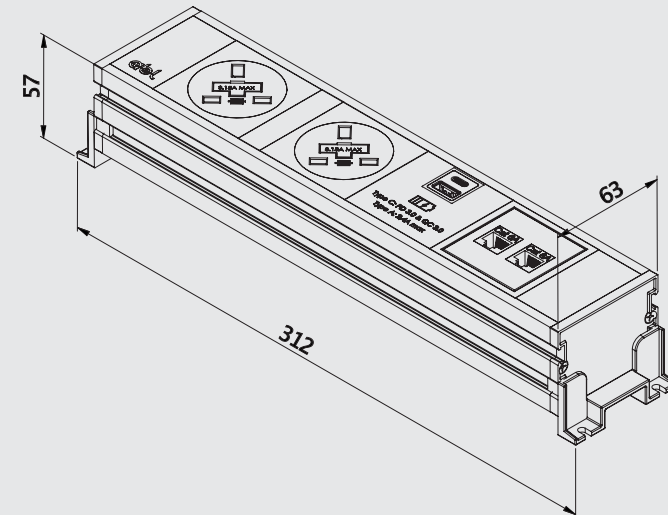
Attach using the provided screws according to the designated positions on the brackets.

OPTION 2 - FIX THE MODULE INTO A WIRE BASKET

Simply place the module into the wire basket.



DIMENSIONS



NOTE: The module length depends on the required configuration and socket type.

FUSION

UNDER desk power module



Custom-made, very discreet, under desk solution convenient for offices, hotels, restaurants and lounges.

Fusion allows modular configurability with the choice of various socket types, USB A+C fast charging ports, and media connections.

- CERTIFIED WITH IEC 60884-1:2002 + A1:2006 AND IEC 60884-2-7:2011 + A1:2013 (EUROPE), COMPLIES WITH BS 5733 (UK)
- AVAILABLE IN UP TO SIX SOCKETS, USB A+C CHARGING PORTS, AND MEDIA CONNECTIONS
- G TYPE SOCKETS ARE INDIVIDUALLY FUSED WITH 3.15A OR 5A FUSE IN COMPLIANCE WITH BS6396
- SILVER METAL BRACKETS ENABLE EASY UNDER DESK INSTALLATION
- ALL STANDARD OPTIONS COME WITH 0.5M DROP LEAD TO 3 POLE CONNECTOR



**MADE IN
EUROPE**

PRODUCT SPECIFICATION

USB A+C charger
with LED indicators



Choice of Interchangeable
Multimedia Plates

Rated current and voltage:

- 13A/250V (G type socket)
- 16A/250V AC (F, E type socket)

AVAILABLE COLOURS:

FASCIAS & END CAPS  

BODY 

AVAILABLE SOCKET TYPES



TYPE E



TYPE F



TYPE G



USB CHARGE

AVAILABLE MEDIA CONNECTIONS



DATA



USB



HDMI



VGA



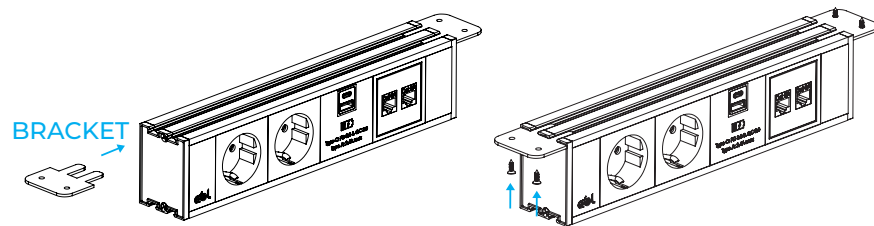
AUDIO





DIMENSIONS

FUSION INSTALLATION

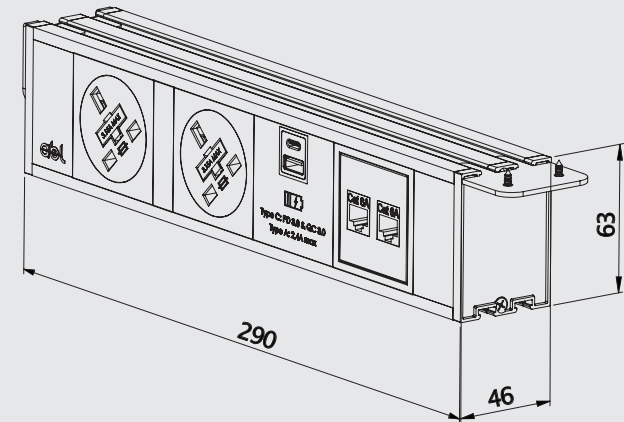
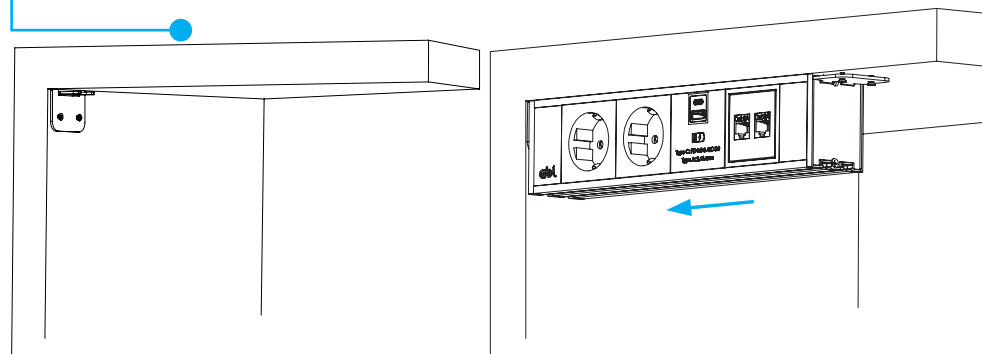


OPTION 1 - FIX THE MODULE UNDER THE DESK

Slide the brackets into the profile indents.
Attach the brackets using the provided screws according to the designated positions on the brackets.

OPTION 2 - FIX THE MODULE IN THE CORNER OF THE DESK

Attach the bracket onto the side of the table.
Slide the module onto the bracket.
Attach the brackets using the provided screws according to the designated positions on the brackets.



NOTE: The module length depends on the required configuration and socket type.

TRM

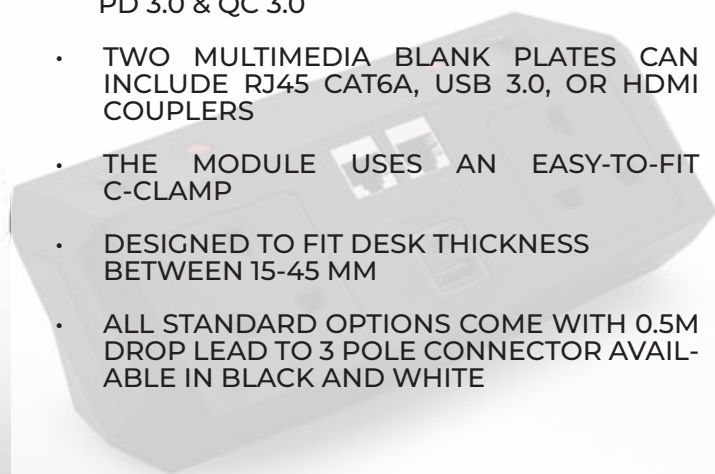
ON desk power module



TRM is the latest addition to our on desk power module range. Its futuristic appearance will perfectly blend in with any modern office design.

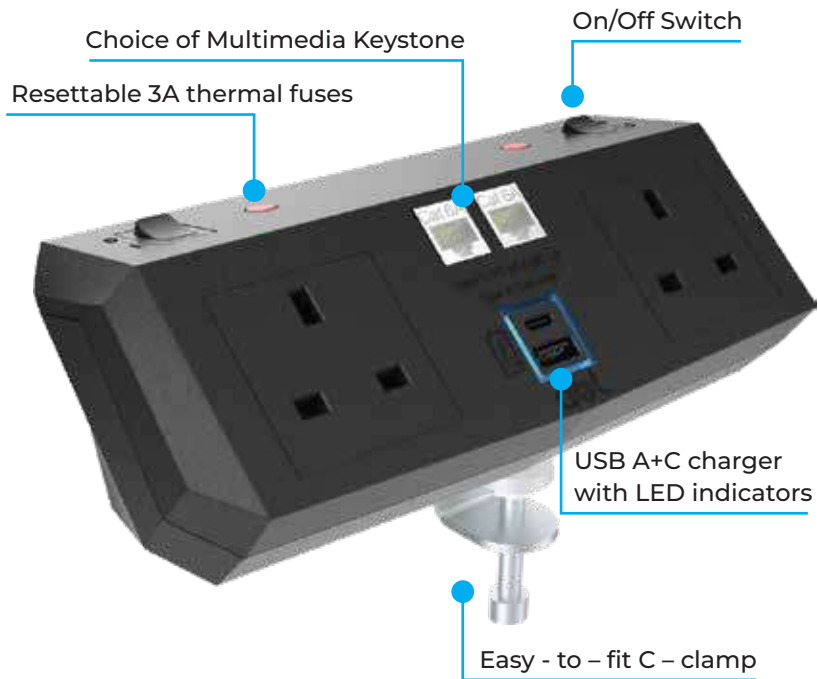
Your devices will be provided with two power sockets, A&C Type USB charger, and the resettable 3A thermal fuses that provide extra safety. Two data ports in the middle allow the choice of data keystone.

- CERTIFIED WITH BS 5733, KM 686563
- TWO G TYPE SOCKETS HAVE RESETTABLE 3A THERMAL FUSES AND INDIVIDUAL ON/OFF SWITCHES
- FAST USB CHARGE FEATURES A+C TYPE, PD 3.0 & QC 3.0
- TWO MULTIMEDIA BLANK PLATES CAN INCLUDE RJ45 CAT6A, USB 3.0, OR HDMI COUPLERS
- THE MODULE USES AN EASY-TO-FIT C-CLAMP
- DESIGNED TO FIT DESK THICKNESS BETWEEN 15-45 MM
- ALL STANDARD OPTIONS COME WITH 0.5M DROP LEAD TO 3 POLE CONNECTOR AVAILABLE IN BLACK AND WHITE



MADE IN EUROPE

PRODUCT SPECIFICATION



Rated current and voltage:
• 10A/230V (G type socket)

AVAILABLE COLOURS:



AVAILABLE SOCKET TYPE



TYPE G



USB CHARGE



DATA



USB



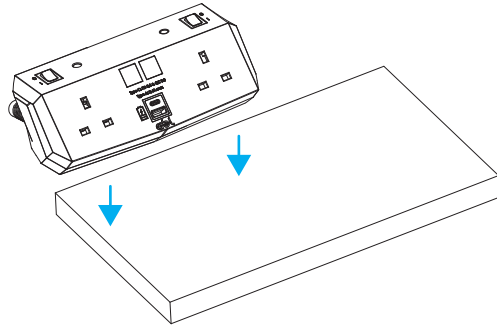
HDMI

AVAILABLE MEDIA CONNECTIONS



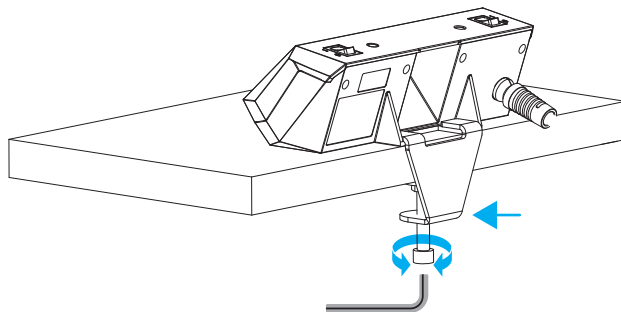


TRM INSTALLATION

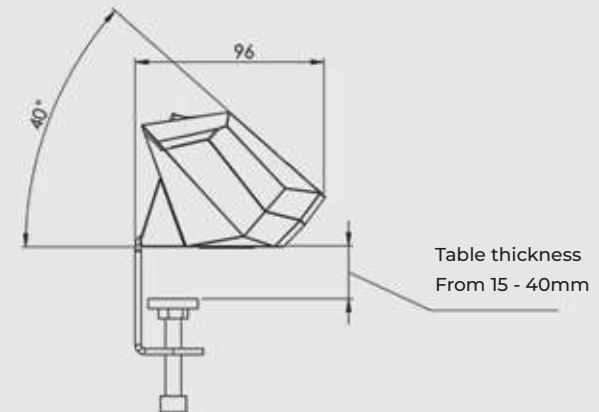
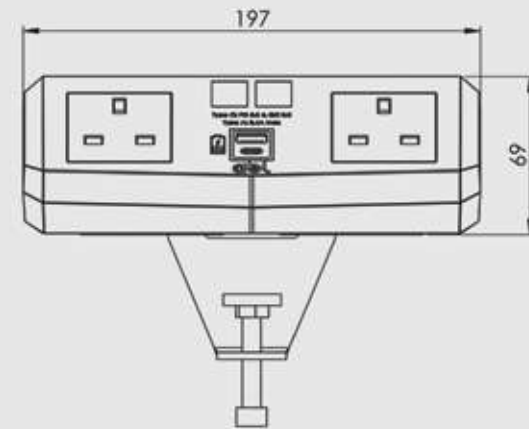


STEP 1 - Place the module onto the edge of the desk.

STEP 2 - Place the clamp onto the back of the module and tighten it using Allen Key.



DIMENSIONS



CHROMA

ON desk power module



Chroma is the on-desk power module that provides power when you need it via its selection of USB Type A+C for fast charging (35W) and power socket.

The Chroma is supplied with data and media connections which allow the end-user to connect various devices quickly and efficiently.

- CERTIFIED WITH THE BSI BS 5733 KITEMARK KM 686563 (UK), IEC 60884-1:2002 + A1:2006 AND IEC 60884-2-7:2011 + A1:2013 (EUROPE)
- AVAILABLE IN UP TO SIX SOCKETS, USB A+C CHARGING PORTS, AND MEDIA CONNECTIONS
- G TYPE SOCKETS ARE INDIVIDUALLY FUSED WITH 3.15A OR 5A FUSE IN COMPLIANCE WITH BS 6396
- THE CHROMA POWER MODULE USES UNIVERSAL CLAMPS THAT CAN BE EASILY INSTALLED EITHER ON TOP OF THE DESK OR UNDER THE DESK
- DESIGNED TO FIT DESK THICKNESS BETWEEN 10 AND 34 MM
- ALL STANDARD OPTIONS COME WITH 0.5M DROP LEAD TO 3 POLE CONNECTOR



MADE IN EUROPE

PRODUCT SPECIFICATION



AVAILABLE SOCKET TYPES



TYPE E TYPE F TYPE G USB CHARGE

AVAILABLE MEDIA CONNECTIONS



DATA USB HDMI VGA AUDIO

Rated current and voltage:

- 13A/250V (G type socket);
- 16A/250V AC (F, E type socket)

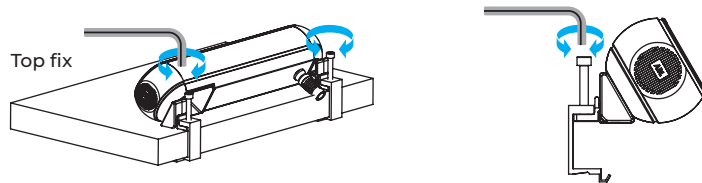
AVAILABLE COLOURS:

FASCIAS & END CAPS  

BODY   



CHROMA INSTALLATION

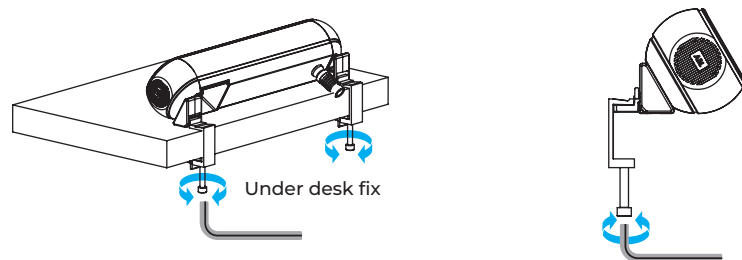


FIXING THE MODULE ONTO A FLAT SURFACE

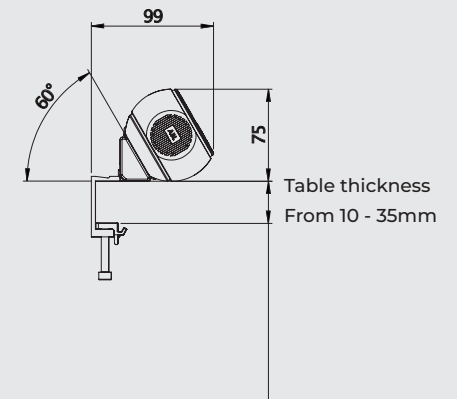
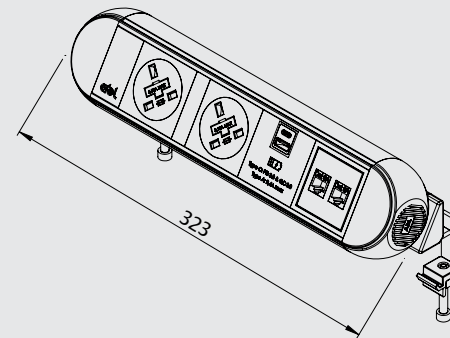
1. Place the module onto a flat surface and place the clamps on the brackets

TOP FIX or UNDER DESK (see the images)

2. Use the Allen key to tighten the clamp onto the desk



DIMENSIONS



NOTE: The module length depends on the required configuration and socket type.

FLEXI

ON desk power module



A practical and stylish addition to any desk. Flexi is available in up to six UK sockets, USB dual A+C fast-charging sockets, and media connections.

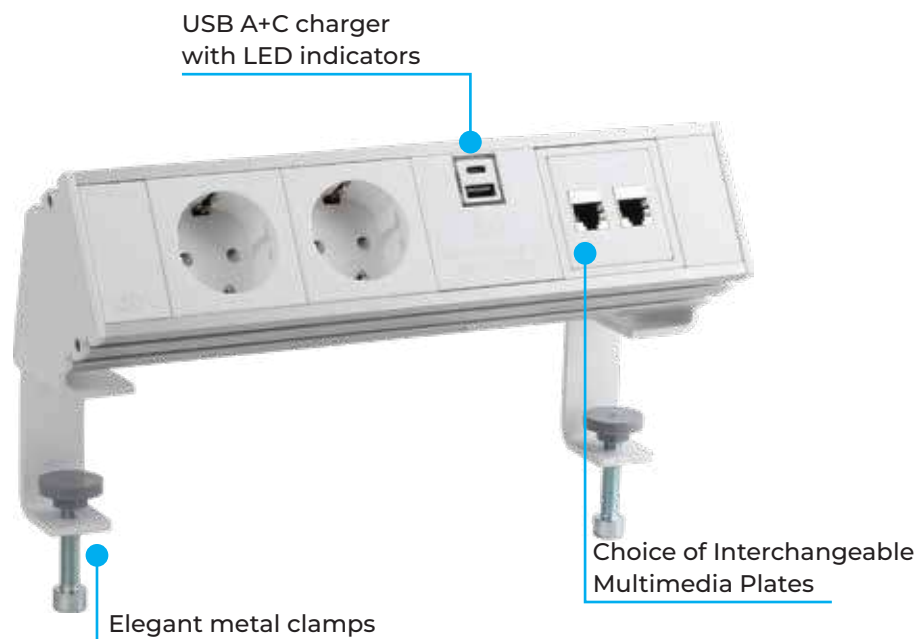
The metal side caps with clamps give this product an elegant touch and enable easy installation.

- CERTIFIED WITH IEC 60884-1:2002 + A1:2006 AND IEC 60884-2-7:2011 + A1:2013 (EUROPE), COMPLIES WITH BS 5733 (UK)
- AVAILABLE IN UP TO SIX SOCKETS, USB A+C CHARGING PORTS, AND MEDIA CONNECTIONS
- G TYPE SOCKETS ARE INDIVIDUALLY FUSED WITH 3.15A OR 5A FUSE IN COMPLIANCE WITH BS6396 RELATED TO ELECTRICAL SYSTEMS IN FURNITURE
- FLEXI POWER MODULE OFFERS QUICK INSTALLATION DUE TO INTEGRATED ELEGANT METAL CLAMPS
- DESIGNED TO FIT DESK THICKNESS BETWEEN 15 AND 40 MM
- ALL STANDARD OPTIONS COME WITH 0.5M DROP LEAD TO 3 POLE CONNECTOR



**MADE IN
EUROPE**

PRODUCT SPECIFICATION



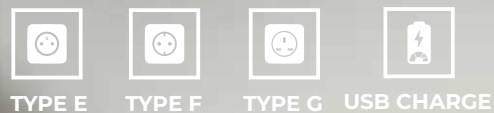
Rated current and voltage:

- 13A/250V (G type socket)
- 16A/250V AC (F, E type socket)

AVAILABLE COLOURS:



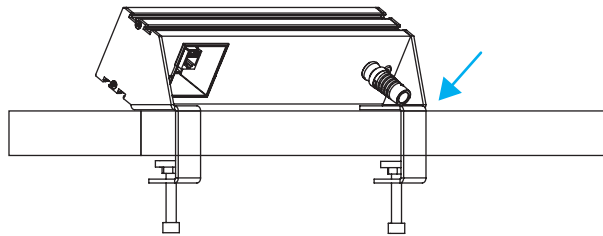
AVAILABLE SOCKET TYPES



AVAILABLE MEDIA CONNECTIONS

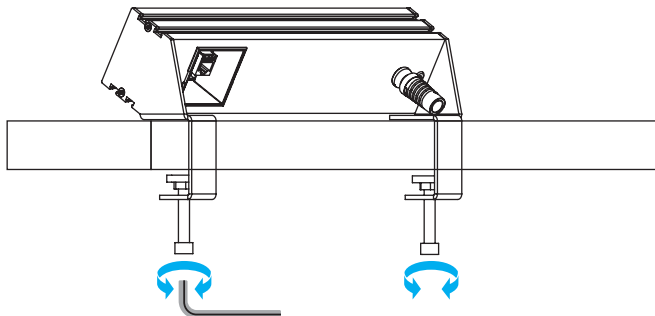


FLEXI INSTALLATION

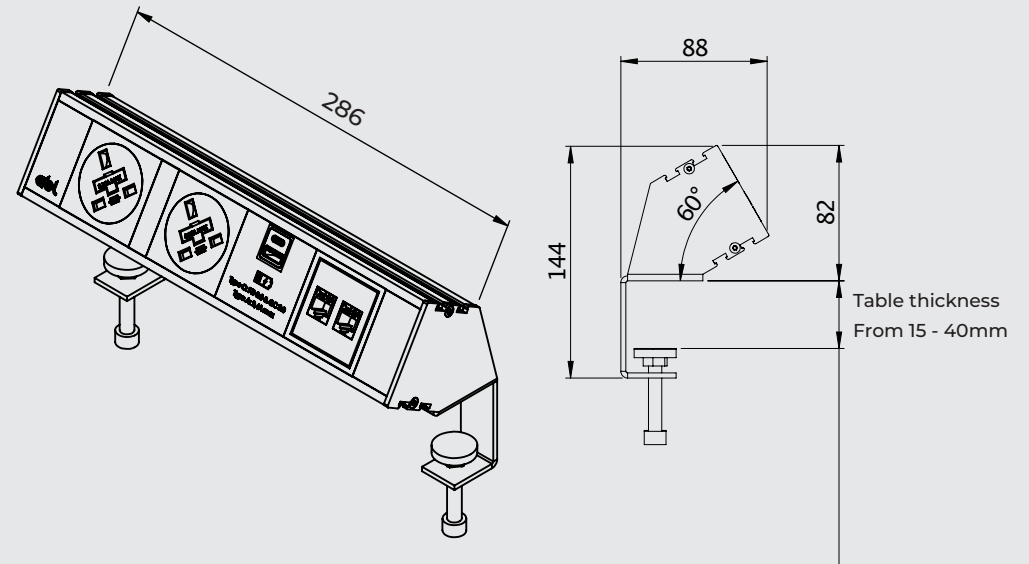


STEP 1 - Place the module onto the edge of the desk.

STEP 2 - Use Allen Key to tighten the module to the desk.



DIMENSIONS



NOTE: The module length depends on the required configuration and socket type.



LEVEL-E

IN desk power module



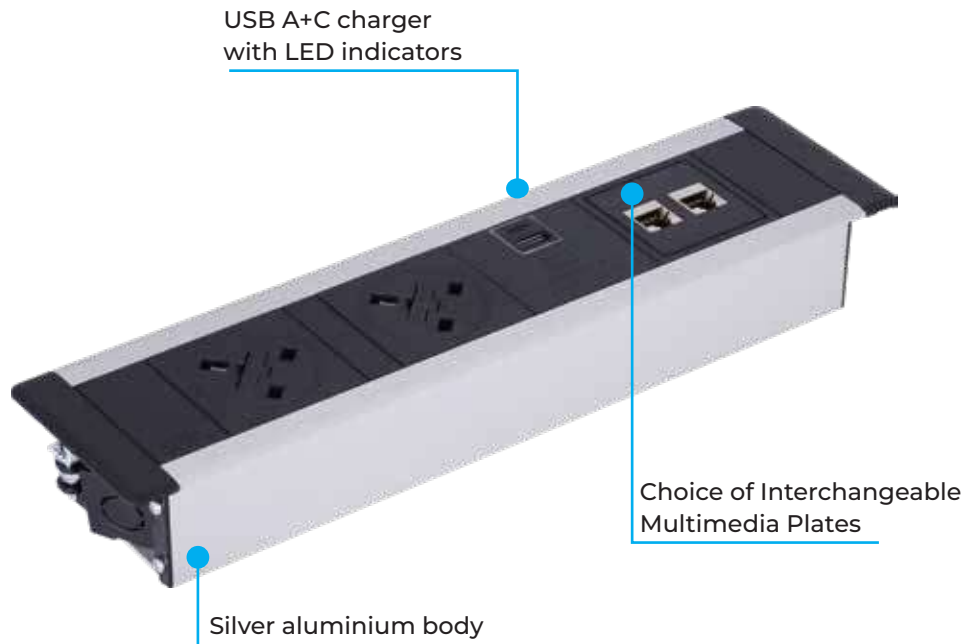
Incorporating a choice of power sockets from most countries and an Interchangeable Multimedia Plate system makes the Level-E in desk power module an ideal solution for meeting tables, desks, booths or pods.

- CERTIFIED WITH BS 5733 BSI KITEMARK KM 686563 (UK), IEC 60884-1: 2002 + A1: 2006 AND IEC 60884-2-7: 2011 + A1: 2013 (EUROPE)
- AVAILABLE IN UP TO SIX SOCKETS, USB A+C CHARGING PORTS, AND MEDIA CONNECTIONS
- G TYPE SOCKETS ARE INDIVIDUALLY FUSED WITH 3.15A OR 5A FUSE IN COMPLIANCE WITH BS6396 RELATED TO ELECTRICAL SYSTEMS IN FURNITURE
- THE LEVEL-E IS FLUSH TO THE SURFACE
- POSSIBILITY OF PANEL INSTALLATION DESIGNED TO FIT A DESK THICKNESS OF MIN 10 MM WHEN INSTALLED IN DESKS; AND FROM 10 MM TO 20MM FOR PANEL INSTALLATION
- ALL STANDARD OPTIONS COME WITH 0.5M DROP LEAD TO 3 POLE CONNECTOR



MADE IN EUROPE

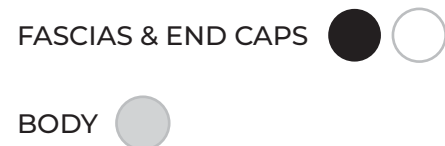
PRODUCT SPECIFICATION



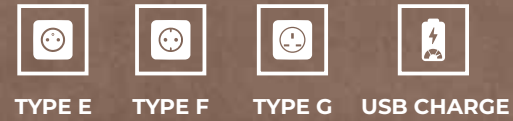
Rated current and voltage:

- 13A/250V (G type socket);
- 16A/250V AC (F, E type socket)

AVAILABLE COLOURS:



AVAILABLE SOCKET TYPE



AVAILABLE MEDIA CONNECTIONS



LEVEL-C

IN desk power module



The ideal choice for power and data distribution in offices, meeting rooms, boardrooms and amphitheatres.

Level-C is designed to promote effortless workspace productivity and comfort.

- CERTIFIED WITH THE BS 5733 BSI KITEMARK KM 686563 (UK), IEC 60884-1:2002 + A1:2006 AND IEC 60884-2-7:2011 + A1:2013 (EUROPE)
- AVAILABLE IN UP TO SIX SOCKETS, USB A+C CHARGING PORTS AND MEDIA CONNECTIONS
- G TYPE SOCKETS ARE INDIVIDUALLY FUSED WITH 3,15A OR 5A FUSE IN COMPLIANCE WITH BS 6396
- THE LEVEL-C IS FLUSH TO THE SURFACE
- DUST PROTECTION WHEN THE PRODUCT IS COVERED
- POSSIBILITY OF PANEL INSTALLATION
- DESIGNED TO FIT A DESK THICKNESS OF MIN 10 MM WHEN INSTALLED IN DESKS; AND FROM 10 MM TO 20 MM FOR PANEL INSTALLATION
- ALL STANDARD OPTIONS COME WITH 0.5M DROP LEAD TO 3 POLE CONNECTOR



MADE IN EUROPE

PRODUCT SPECIFICATION



Rated current and voltage:

- 13A/250V (G type socket);
- 16A/250V AC (F, E type socket)

AVAILABLE COLOURS:

FASCIAS & END CAPS  

BODY   

AVAILABLE SOCKET TYPE



TYPE E TYPE F TYPE G USB CHARGE

AVAILABLE MEDIA CONNECTIONS

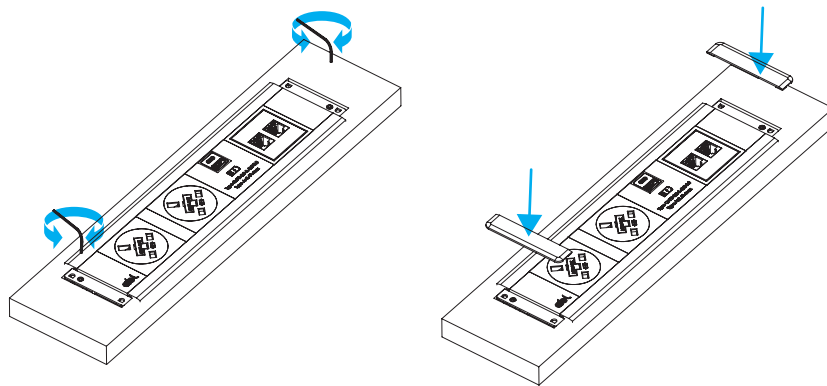
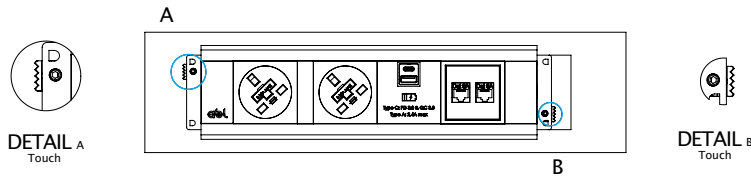
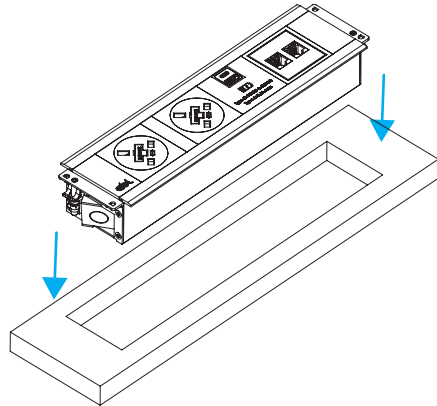


DATA USB HDMI VGA AUDIO



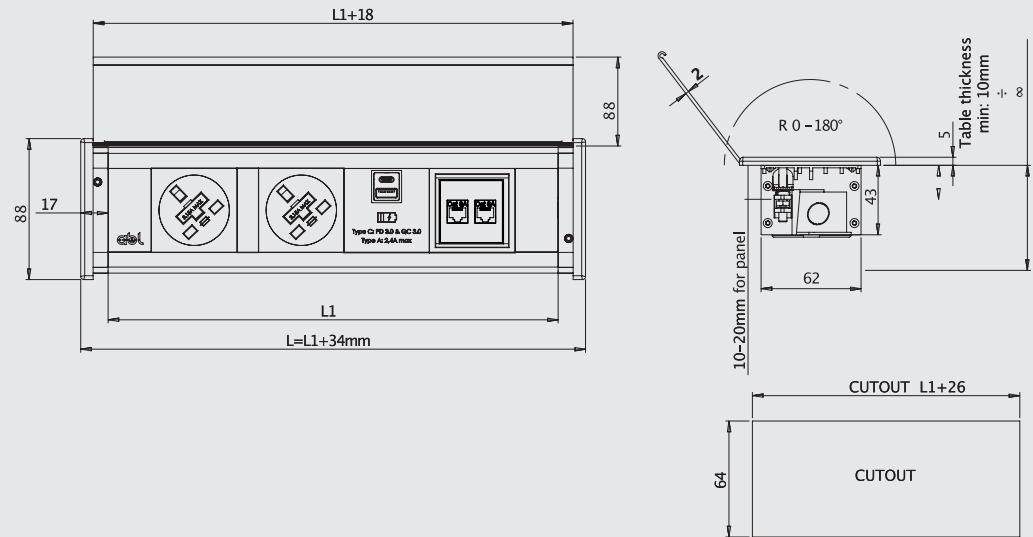


LEVEL-C INSTALLATION



DIMENSIONS

- STEP 1. Place the module into the table cutout.
- STEP 2. Make sure the module is placed straight and evenly spaced.
- STEP 3. Use Allen Key slightly until the clamps touch the table desktop only.
- STEP 4. Gently turn the Allen Key 180° clockwise on both sides of the power module.
- STEP 5. Place provided covers on top of the power module sides.



NOTE: The module length depends on the required configuration and socket type.

AERO FLIP

IN desk power module



The Aero Flip is ideally suited for electrification of boardroom or meeting tables.

This modular system is available with a variety of configurations including USB A+C ports for fast charging, CAT6A data, HDMI, and USB to name a few.

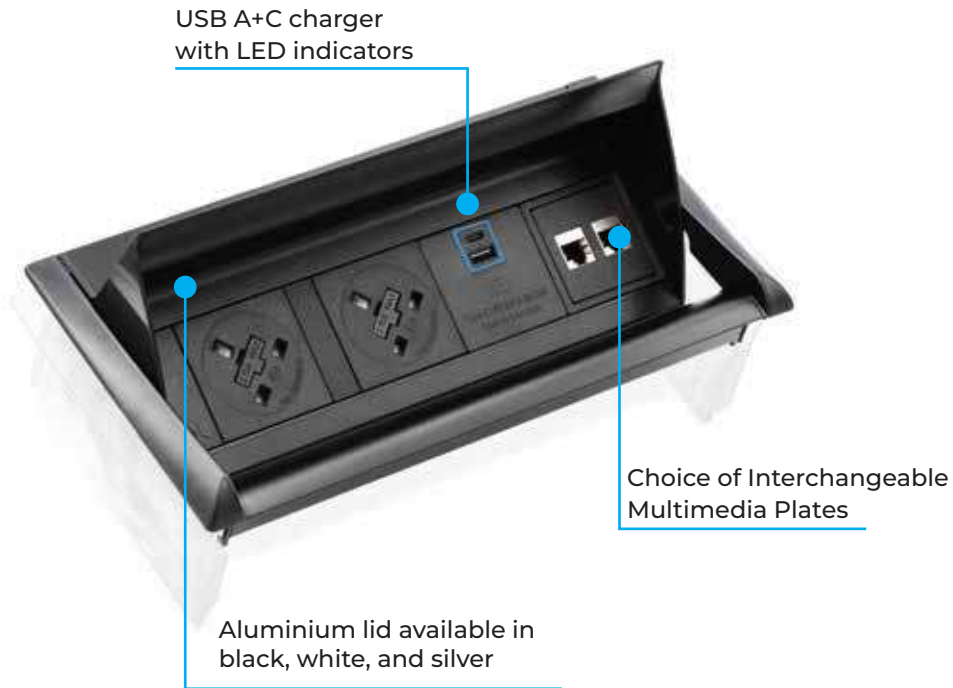
- CERTIFIED WITH THE BS 5733 BSI KITEMARK KM 686563 (UK), AND WITH IEC 60884-1:2002 + A1:2006 AND IEC 60884-2-7:2011 + A1:2013 (EUROPE)
- AVAILABLE IN UP TO SIX SOCKETS, USB A+C CHARGING PORTS, AND MEDIA CONNECTIONS
- G TYPE SOCKETS ARE INDIVIDUALLY FUSED WITH 3.15A OR 5A FUSE IN COMPLIANCE WITH BS 6396 RELATED TO ELECTRICAL SYSTEMS IN FURNITURE
- DESIGNED TO FIT DESK THICKNESS BETWEEN 15 AND 35 MM
- ALL STANDARD OPTIONS COME WITH 0.5M DROP LEAD TO 3 POLE CONNECTOR
- THE ALUMINIUM LID AND MODULAR PARTS ARE AVAILABLE IN BLACK, WHITE AND GREY



13A Plugs
and Socket
Outlets
KITEMARK™

MADE IN
EUROPE

PRODUCT SPECIFICATION



Rated current and voltage:

- 13A/250V (G type socket);
- 16A/250V AC (F, E type socket)

AVAILABLE COLOURS:

FASCIAS & END CAPS   

BODY   



AVAILABLE SOCKET TYPE



TYPE E TYPE F TYPE G USB CHARGE

AVAILABLE MEDIA CONNECTIONS

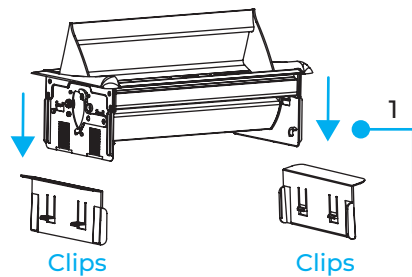


DATA USB HDMI VGA AUDIO

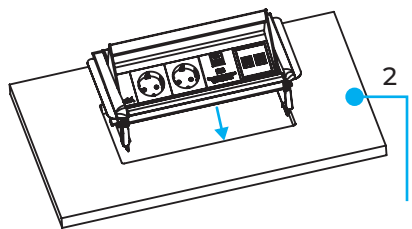


AERO FLIP INSTALLATION

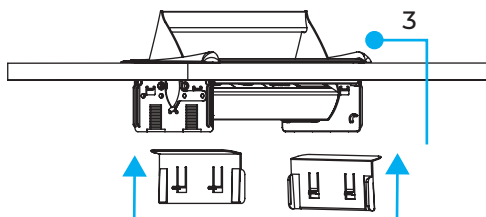
Before making a cutout, please contact your supplier to provide you with a technical drawing stating the exact desk cutout dimensions. Ensure that there is sufficient clearance, 150 mm below the surface and 30 mm between the cutout edge and the edge of the work surface.



STEP 1. Lift the clips and slide the side fixing down.

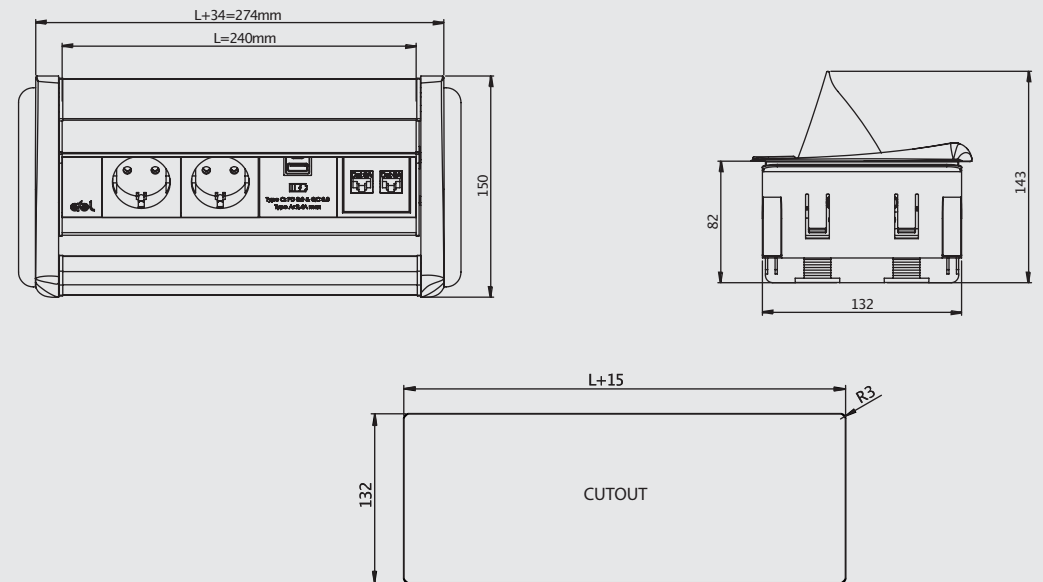


STEP 2. Place the module into the table cutout.



STEP 3. Pull the sliding fixing back up until the module is fixed to the table.

DIMENSIONS



NOTE: The module length depends on the required configuration and socket type.

PORT EL IN desk power module



The Port El is the in-desk grommet power module designed to fit into a standard 80mm porthole.

With a variety of available configurations, it is an excellent fit for any office, home, or Educational environment as it is easily installed in the desk, sofa lounge or a table.

- CERTIFIED WITH THE BS 5733 BSI KITE-MARK KM 686563 (UK), IEC 60884-1:2002 + A1:2006 AND IEC 60884-2-7:2011 + A1:2013 (EUROPE)
- AVAILABLE WITH ONE SOCKET, ONE 35W USB A+C CHARGER (PD & QC) AND A CHOICE OF UP TO TWO MEDIA CONNECTIONS
- G TYPE SOCKETS ARE INDIVIDUALLY FUSED WITH 3.15A OR 5A FUSE IN COMPLIANCE WITH BS 6396 RELATED TO ELECTRICAL SYSTEMS IN FURNITURE
- DESIGNED TO FIT DESK THICKNESS BETWEEN 15 AND 45 MM
- ELEGANT ALUMINIUM RING ENABLES QUICK INSTALLATION AND FITTING WITH NO EFFORT MODULAR PARTS AVAILABLE IN BLACK, WHITE AND GREY



13A Plugs
and Socket
Outlets
KITEMARK™

MADE IN
EUROPE

PRODUCT SPECIFICATION

USB A+C charger
with LED indicators



Locking ring

Aluminium chrome ring

AVAILABLE SOCKET TYPES



TYPE E



TYPE F



TYPE G



USB CHARGE

AVAILABLE MEDIA CONNECTIONS



DATA



USB



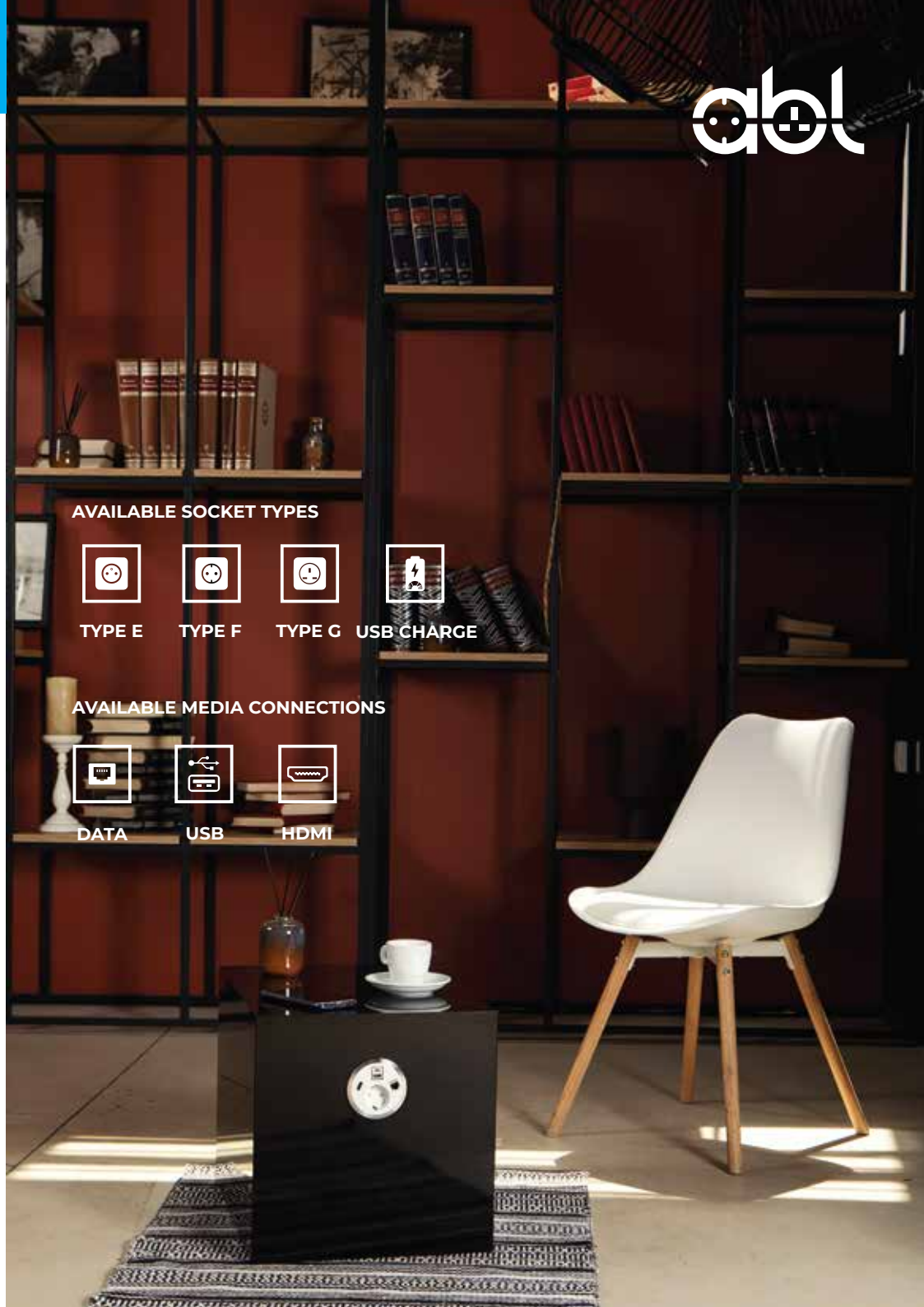
HDMI

Rated current and voltage:

- 13A/250V (G type socket);
- 16A/250V AC (F, E type socket)

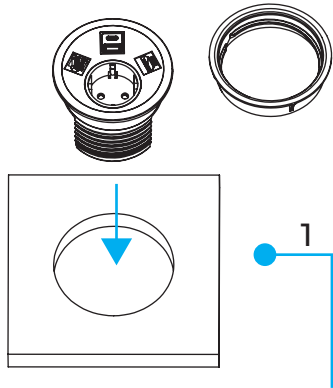
AVAILABLE COLOURS:

FASCIAS & END CAPS





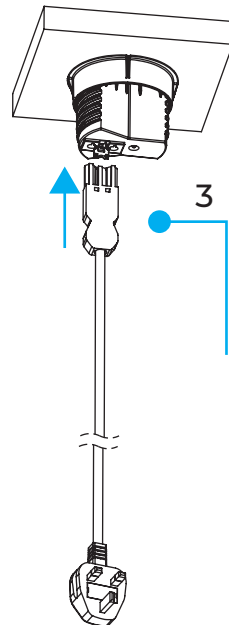
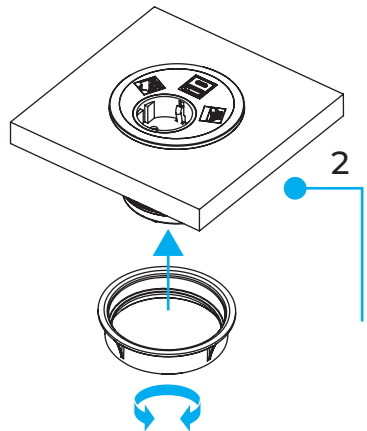
PORT EL INSTALLATION



STEP 1. Remove the locking ring and place the module in the desk cutout.

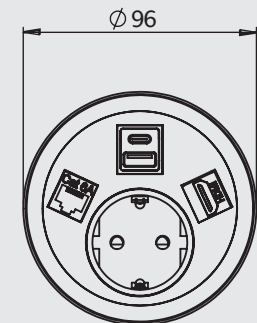
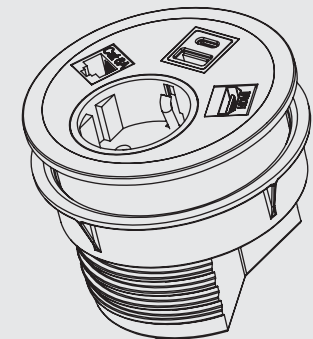
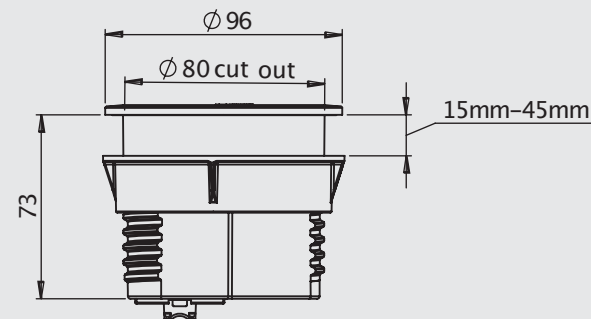
STEP 2. Whilst twisting the locking ring, set up module orientation.

STEP 3. Connect the mains lead with the 3 Pole Connector



Make $\text{Ø}80\text{mm}$ cutout. Ensure that there is sufficient clearance, 150mm below the surface and 30 mm between the cutout edge and the edge of the work surface.

DIMENSIONS



CONFERENCE

Top access & housing



The Conference is the in desk module designed for meeting/conference rooms as power and various chosen configurations are accessible from two sides.

Its low-profile design allows the lid to close whilst devices are connected, freeing up valuable workspace.

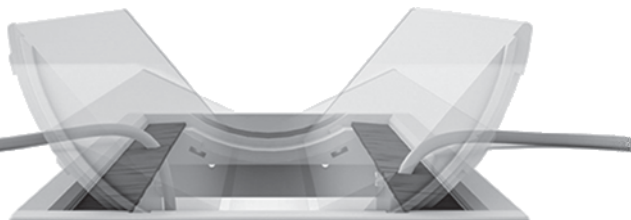
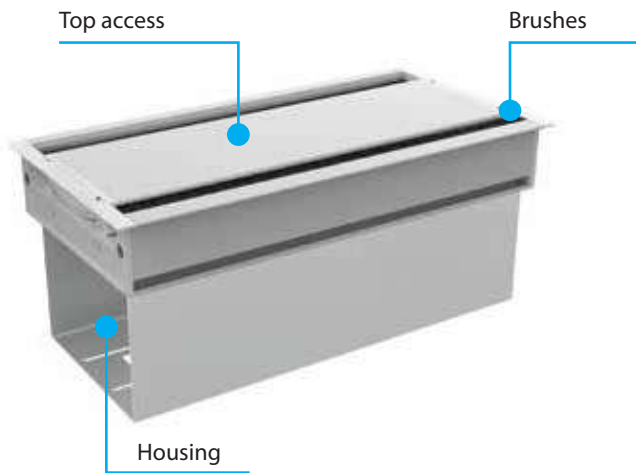
The Conference is available in three dimensions – MIN, MID and MAX and power is provided from ABL Link under desk module.

- THE CONFERENCE IS AVAILABLE IN THREE DIMENSIONS: MIN, MID AND MAX DEPENDING ON THE DESIRED CONFIGURATION
- TOP ACCESS IS AVAILABLE IN BLACK, WHITE AND SILVER
- LINK, THE ACCOMPANYING UNDER DESK POWER MODULE COMPLIES WITH BS5733 (UK), CERTIFIED WITH IEC 60884-1:2002 + A1:2006 AND IEC 60884-2-7:2011 + A1:2013 (EUROPE)
- G TYPE SOCKETS OF THE LINK POWER MODULE ARE INDIVIDUALLY FUSED WITH 3.15A OR 5A FUSES IN COMPLIANCE WITH BS6396 RELATED TO ELECTRICAL SYSTEMS IN FURNITURE



MADE IN
EUROPE

PRODUCT SPECIFICATION



Allows access to power and media from both sides.

AVAILABLE COLOURS:

TOP ACCESS   

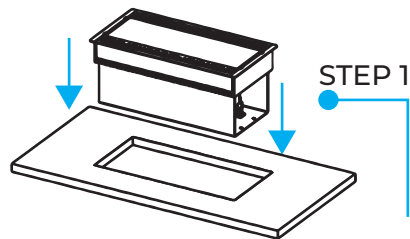
HOUSING 



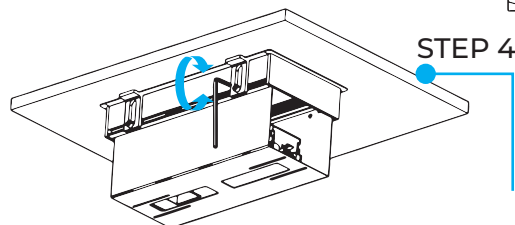
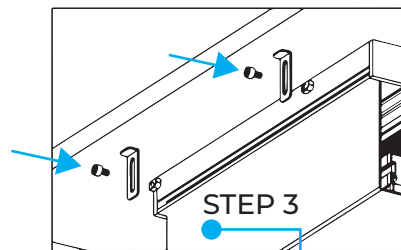
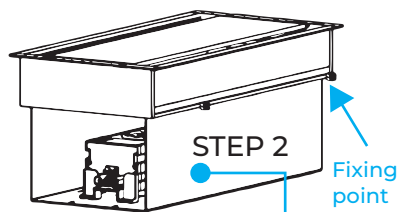


CONFERENCE INSTALLATION

Before making a cutout, please contact your supplier to provide you with a technical drawing stating the suitable table cutout dimensions. Ensure that there is a sufficient clearance, 150mm below the surface and 30 mm between the cutout edge and the edge of the work surface.



- STEP 1: Place the Conference into the table cutout.
- STEP 2: Place the fixing point into the sliding channel.
- STEP 3: Place the L tighteners onto the fixing points.
- STEP 4: Tighten the screws using Allen Key.



DIMENSIONS

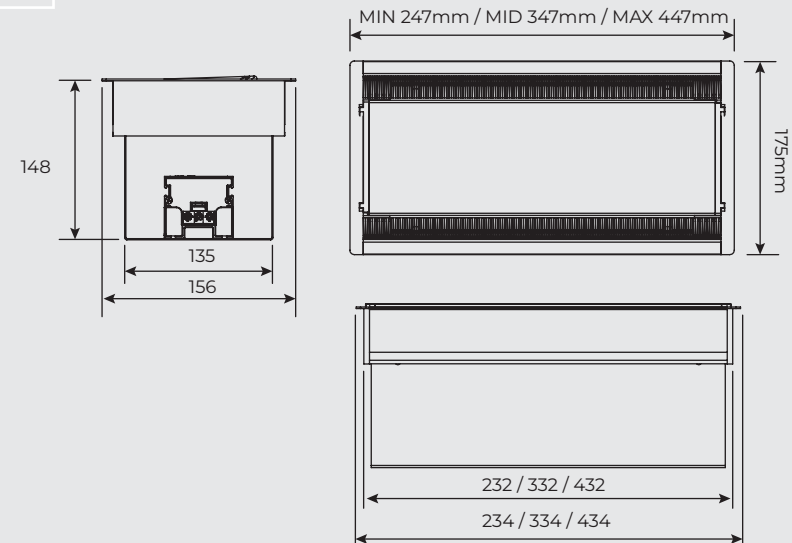


TABLE CUTOUT

MIN
156mm x 234mm

MID
156mm x 334mm

MAX
156mm x 434mm



G SOCKET TYPE OR UNIVERSAL SOCKET TYPES

CONFERENCE	CUT OUT 	AVAILABLE LINK CONFIGURATION
MIN	156mm x 234mm	UP TO TWO SOCKETS OR IMP SLOTS
MID	156mm x 334mm	UP TO THREE SOCKETS WITH ONE USB CHARGER/IMP SLOT, OR TWO SOCKETS WITH TWO USB CHARGERS/IMP SLOTS
MAX	156mm x 434mm	UP TO FIVE SOCKETS OR SIX IMP SLOTS

OTHER SOCKET TYPES

CONFERENCE	CUT OUT	AVAILABLE LINK CONFIGURATION
MIN	156mm x 234mm	UP TO TWO SOCKETS OR IMP SLOTS
MID	156mm x 334mm	UP FOUR SOCKETS OR IMP SLOTS
MAX	156mm x 434mm	UP SIX SOCKETS OR IMP SLOTS

MONITOR ARMS

STRELA

Flat Screen monitor arm



ABL's Strela combines value and versatility into a single product solution.

The aluminium arm creates a stylish and elegant look adding to any home or office décor. The flexible arm joint and rotating/tilting VESA plate allow the user to adjust the height and angle of monitors, offering the optimum viewing experience.

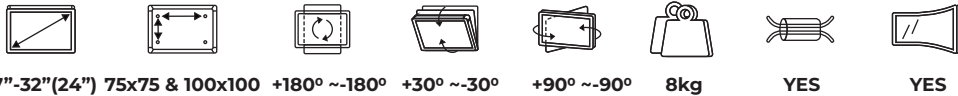
Strela is ideal for virtually any application due to its' ability to easily rotate between portrait and landscape orientation.



PRODUCT SPECIFICATION



- 360° ROTARY VESA PLATE: FOR BETTER VIEWING EXPERIENCE
- FREE-TILTING DESIGN: FOR MULTIPLE MONITOR VIEWING ANGLES
- BUILT-IN CABLE MANAGEMENT: FOR AN ORGANISED AND NEAT WORKSPACE
- ALUMINIUM CONSTRUCTION: PROVIDES A SLEEK, LIGHTER, AND ELEGANT LOOK
- QUICK-RELEASE VESA PLATE: FOR EASY INSTALLATION
- KEYHOLE PATTERN: ALLOWS EASY INSTALLATION
- SWIVELING ARM(S): OFFER(S) MAXIMUM VIEWING FLEXIBILITY

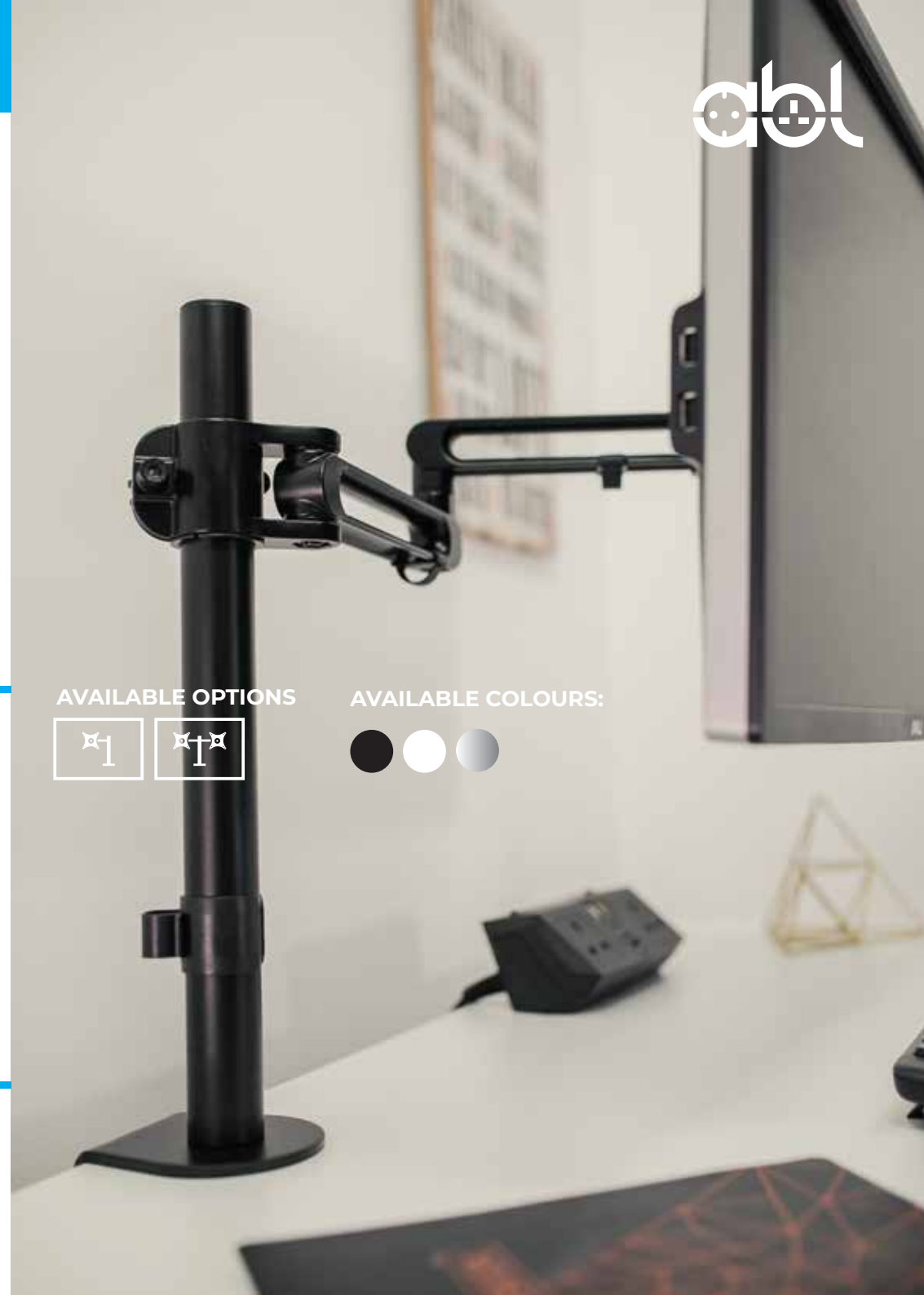


17"-32"(24") 75x75 & 100x100 +180° ~-180° +30° ~-30° +90° ~-90° 8kg YES YES

AVAILABLE OPTIONS



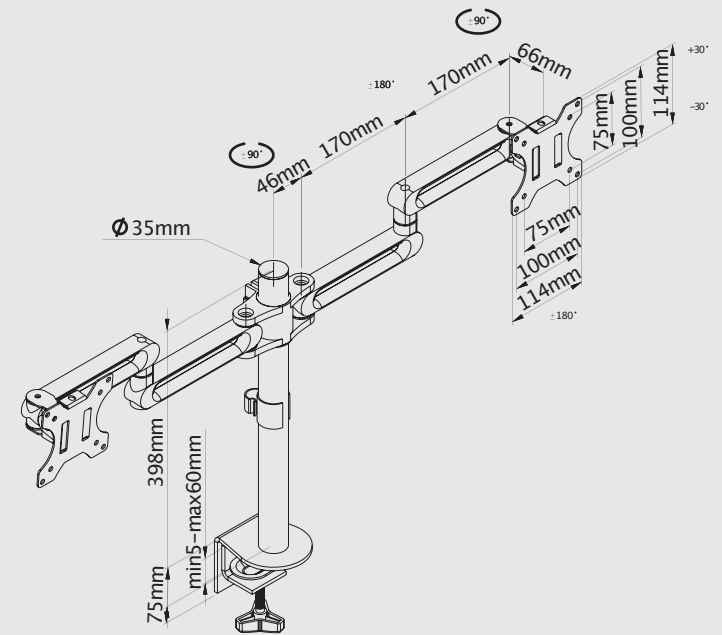
AVAILABLE COLOURS:



STRELA INSTALLATION



DIMENSIONS



- STRELA1BL
STRELA2BL
- STRELA1WH
STRELA2WH
- STRELA1SR
STRELA2SR

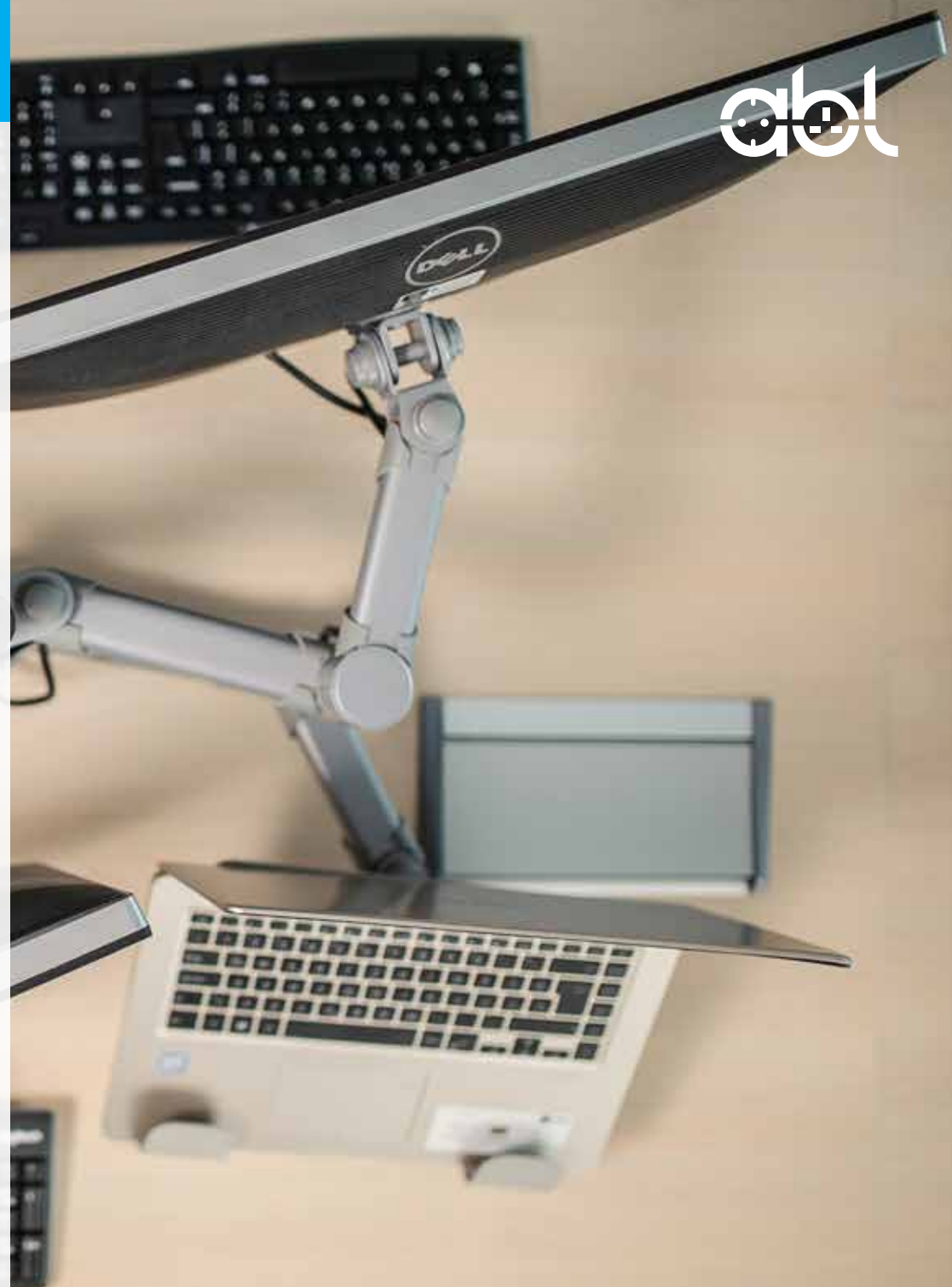
FSA

Flat Screen monitor arm



The well being of employees in the office space is becoming more vital, and the number one cause of lower neck pain is due to incorrect monitor positions.

ABL are proud to offer a range of monitor arms designed to easily move and position the screen to the correct eye level. View our full range of FSA flat-screen monitor arms.



PRODUCT SPECIFICATION



- THREE MOUNTING OPTIONS: CLAMP FITTING - TOP FIX AND UNDER DESK, AND GROMMET FITTING
- CABLE MANAGEMENT CLIPS
- AVAILABLE IN UP TO SIX ARMS AND TOOL RAIL
- LOAD CAPACITY 20KG FOR SINGLE 13KG PER ARM FOR DOUBLE AND 8KG PER ARM FOR THREE OR MORE ARMS.

AVAILABLE OPTIONS



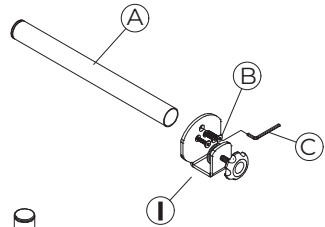
AVAILABLE COLOURS:



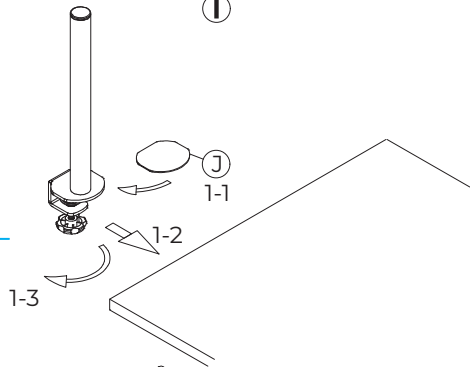
17"-32"(24") 75x75 & 100x100 +180° ~-180° +30° ~-30° +90° ~-90° 20kg(13kg) YES YES

FSA INSTALLATION

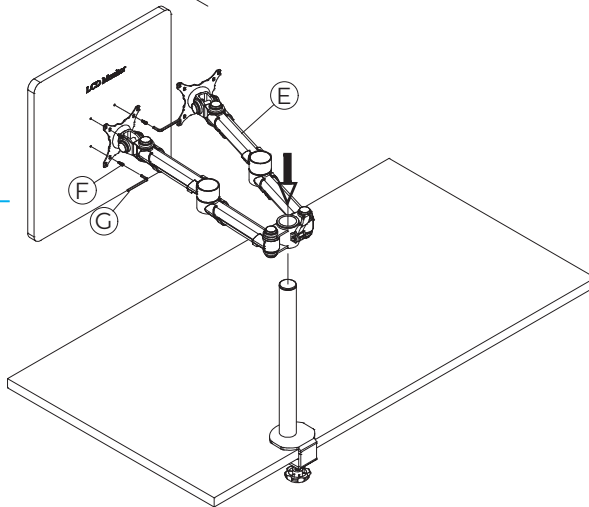
STEP 1



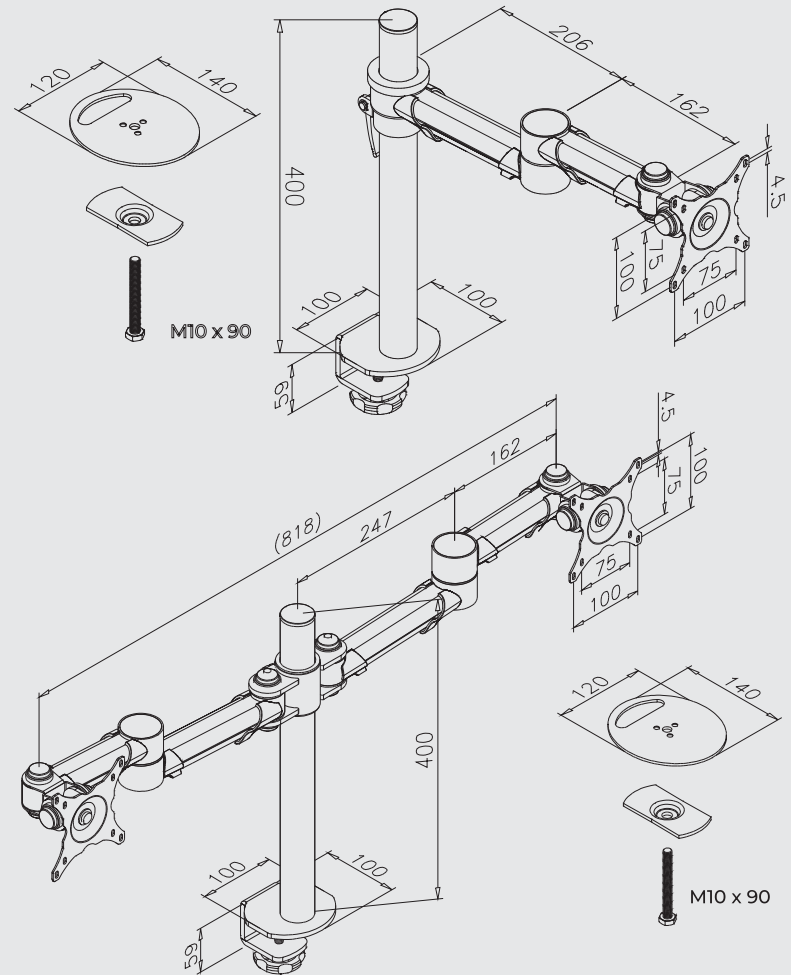
STEP 2



STEP 3



DIMENSIONS



● FSA1BL
FSA2BL

○ FSA1WH
FSA2WH
FSA1TRWH

● FSA1SR
FSA2SR
FSA1TRSR

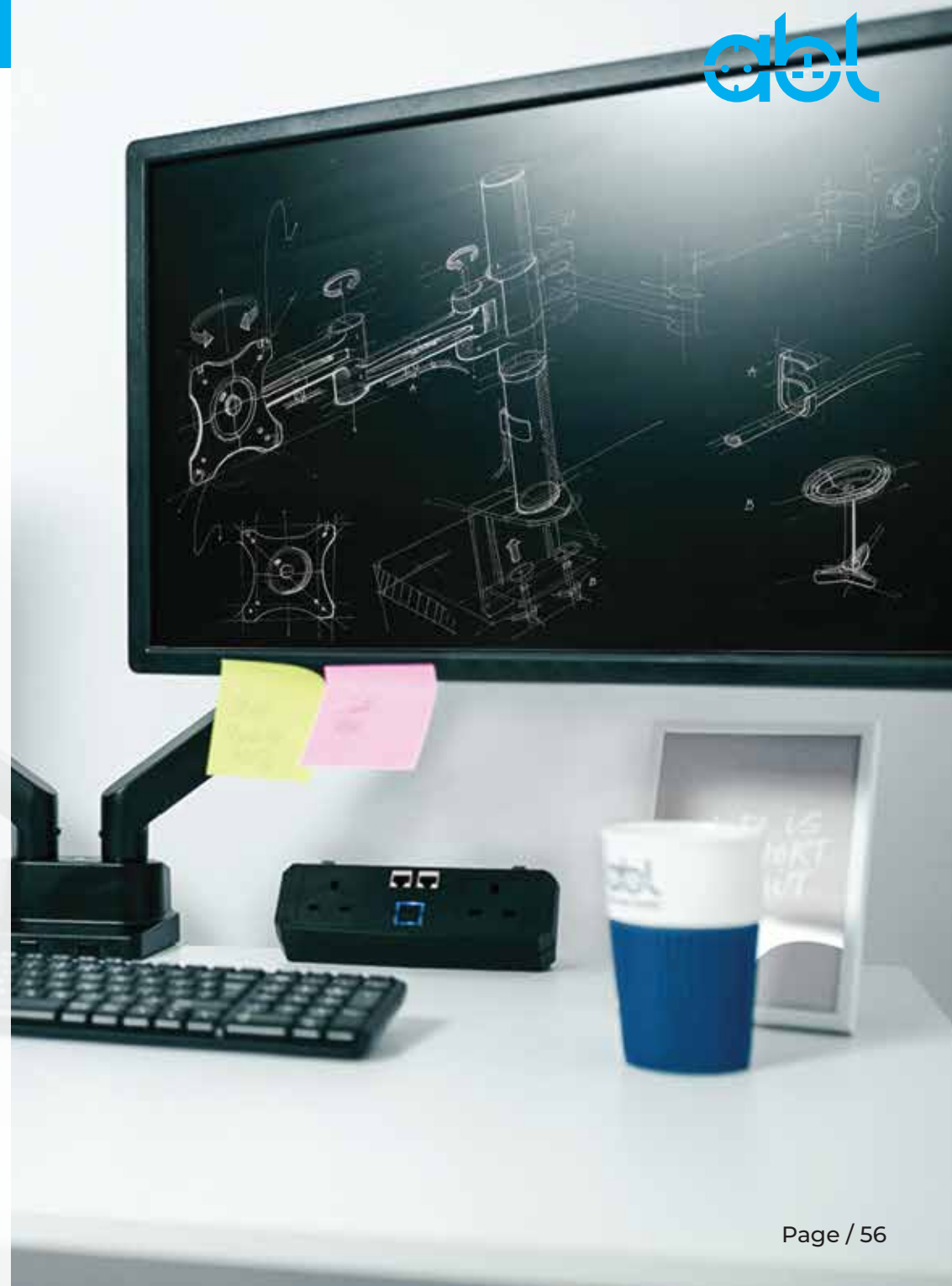
SIGMA

Spring-assisted monitor arm



ABL's flat screen monitor arm Sigma is a quick-to-assemble and easy-to-use monitor arm facilitating the needs of single or double monitors.

The effortless design allows the installer to fit the arm in minutes and the rotation/swivel features make it easy to meet the needs of the end user, as they can place the screen at the correct height to avoid neck and back tension.





PRODUCT SPECIFICATION



- TOP FIX INSTALLATION AND THROUGH DESK BOLT FITTING INCLUDED
- SMOOTH ARM INSERTION: ENSURE EASY INSTALLATION
- BUILT-IN SPRING TENSION GAUGE: FOR PERFECT HEIGHT ADJUSTMENTS
- QUICK-RELEASE VESA PLATE: FOR EASY INSTALLATION
- CABLE MANAGEMENT ALLEN KEY HOLDER

AVAILABLE OPTIONS



AVAILABLE COLOURS:



17"-32"(24") 75x75 & 100x100 +180° ~-180° +30° ~-30° +90° ~-90° 8kg YES YES



SIGMA INSTALLATION

STEP 1



STEP 2



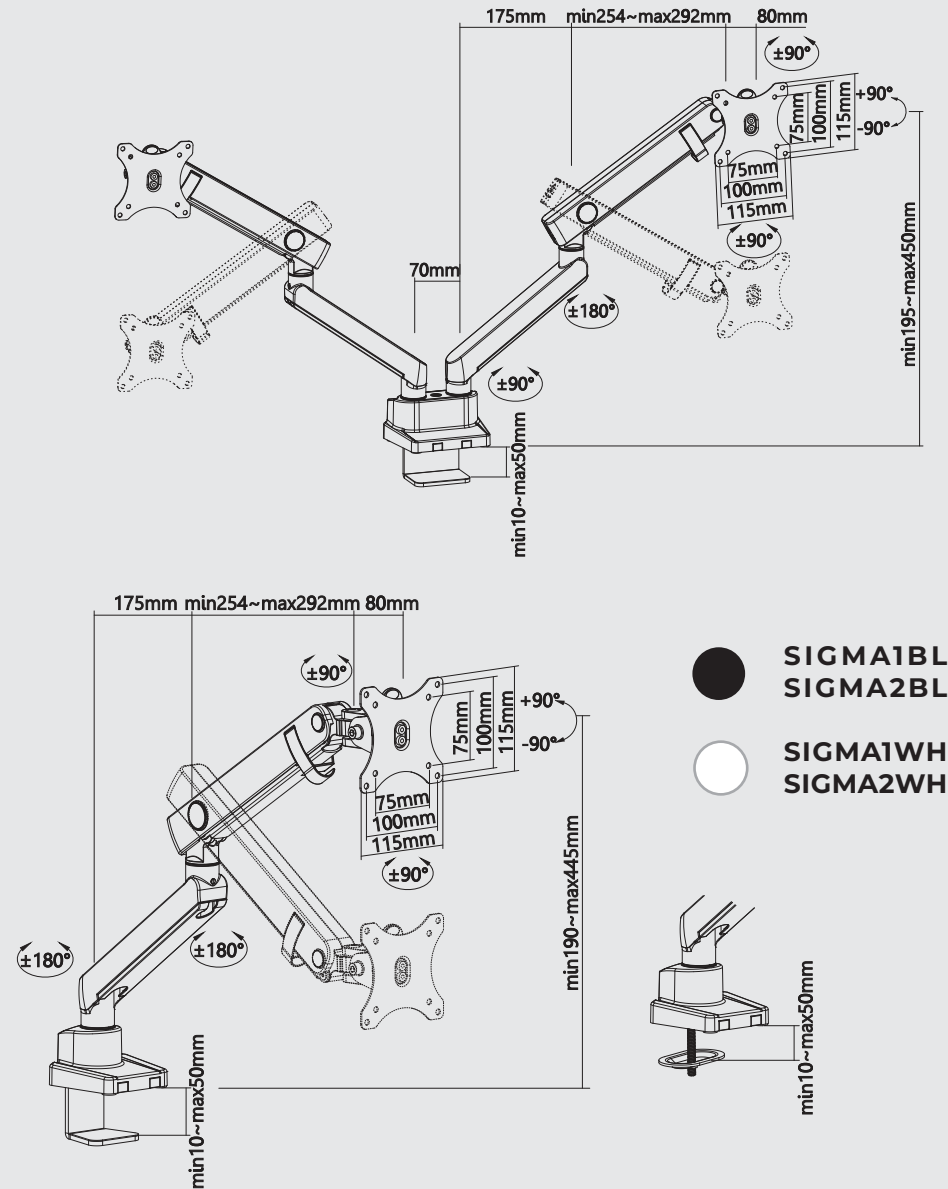
STEP 3



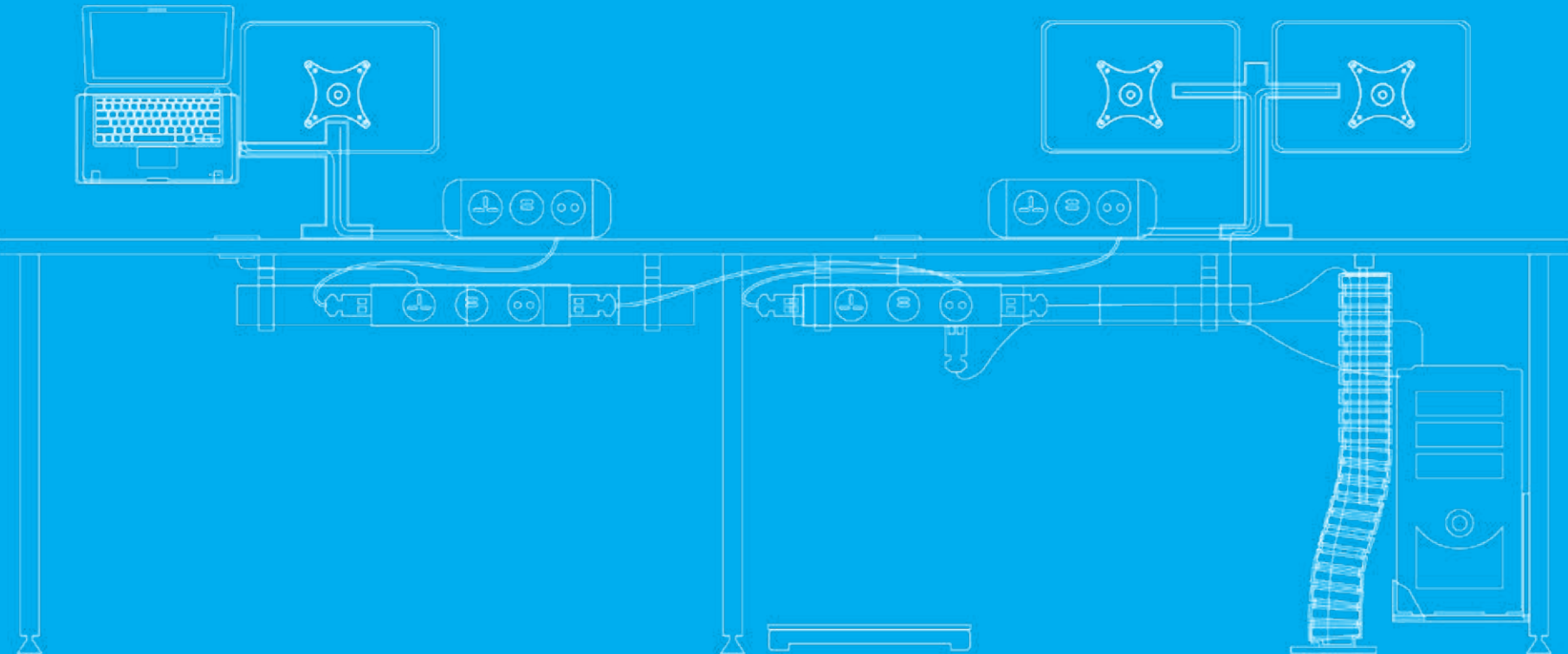
STEP 4



DIMENSIONS



CABLES & CABLE MANAGEMENT



POWER & DATA LEADS

Both ABL Mains and Connector leads are available in 0.5 - 10.0m lengths. Mains leads are available in various international plug types. For specific requirements, please contact your sales agent.

For white power modules, mains leads are white, whereas for black and silver power modules, mains leads are black.



MLF2MB
2.0m Mains Lead, Female
3 Pole Connector
to Schuko Plug, Black



MLG2MB
2.0m Mains Lead, Female
3-Pole Connector to 13A
UK Plug, Black



CL0.5MB
0.5m Connector Lead,
Male 3-Pole Connector



3 Pole Connector Female



DIST2 Distribution block
for daisy chaining



LOCK2 Female Locking
device for 3 Pole
Connector



LOCK3 Male Locking
device for 3 Pole
Connector



LOCK4 Locking device for
under-desk modules

COMPONENTS



DL3MG 3m Data Lead Cat5e
Patch Lead, Grey
DL5MG 5m Data Lead Cat5e
Patch Lead, Grey



DL3MCAT6 3m Data Lead Cat6
Patch Lead, Grey
DL5MCAT6 5m Data Lead Cat6
Patch Lead, Grey



DL3MCAT6A 3m Data Lead Cat6A
Patch Lead, Grey
DL5MCAT6A 5m Data Lead Cat6A
Patch Lead, Grey



3MUSBA-M-M 3m USB Lead, Male
to Male, Black
5MUSBA-M-M 5m USB Lead, Male
to Male, Black



2MHDMI-M-M 2m HDMI Lead,
Male to Male, Black
3MHDMI-M-M 3m HDMI Lead,
Male to Male, Black



1MSVGA-M-M 1m SVGA Lead,
Male to Male, Black
3MSVGA-M-M 3m SVGA Lead,
Male to Male, Black



3MSTEREO3.5MM-M-M 3m Audio
Lead, 3.5mm, Male to Male
5MSTEREO3.5MM-M-M 5m Audio
Lead, 3.5mm, Male to Male

ROSP

Rotating Cable Spine



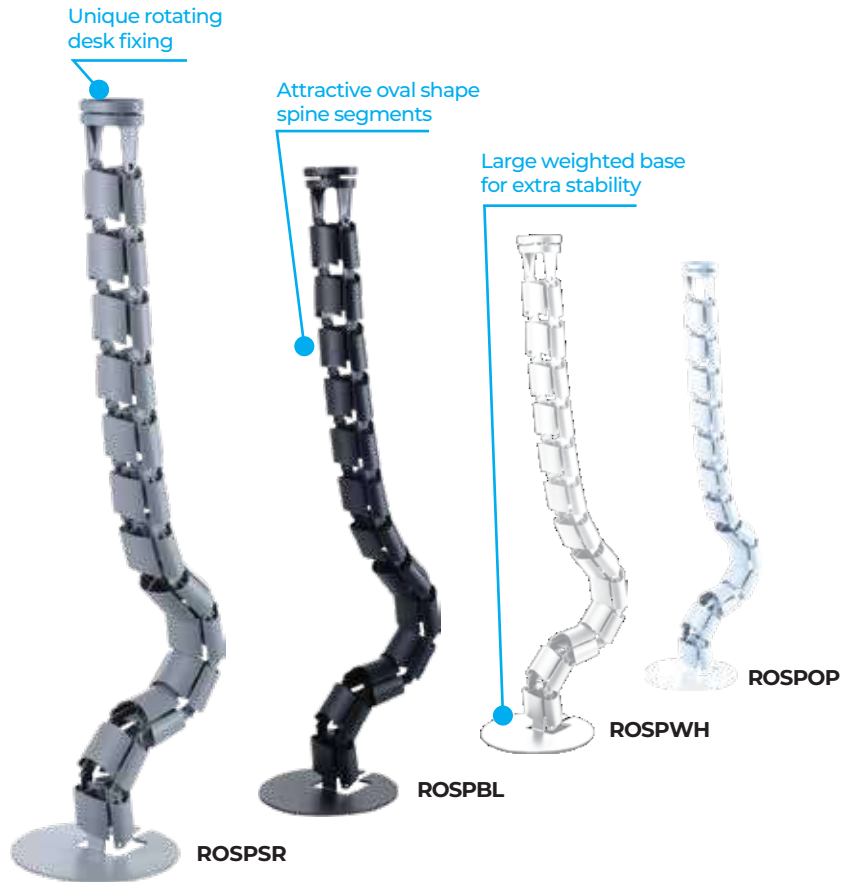
ABL's cable spines have been designed to help organise all cables and wires from the office desk to the power point.

Our flexible plastic trunking allows cables to be placed free from damage and knots. Our cable spine range comes in 3 colours and provides an organised, neat finish to any office!

- INTEGRAL SEGREGATION FOR POWER AND DATA CABLES
- EASILY ADJUST HEIGHT BY ADDING OR REMOVING INDIVIDUAL CLIP ELEMENTS AS REQUIRED
- SNAP-TOGETHER INTERLOCKING BLOCKS WITH 165 MM DIAMETER WEIGHTED BASE
- SUPPLIED WITH TOP-HOOKING ELEMENTS TO SCREW UNDER SURFACE
- 13 INDEPENDENT OVAL SEGMENTS (70X50 MM)

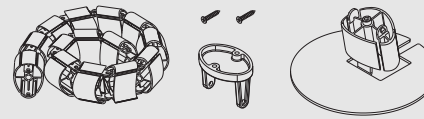


PRODUCT SPECIFICATION

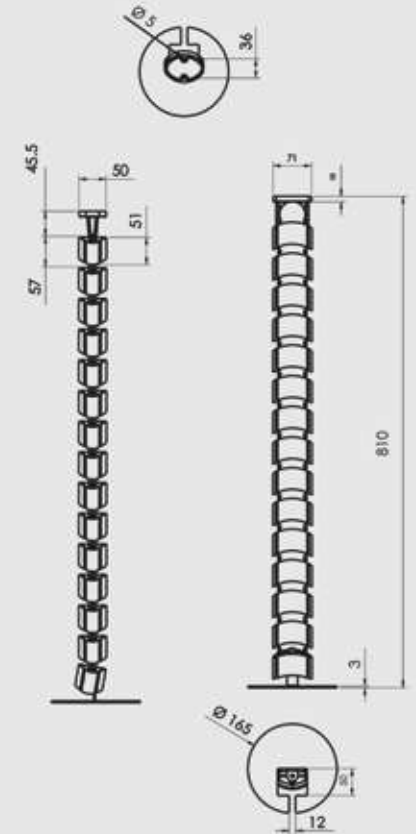
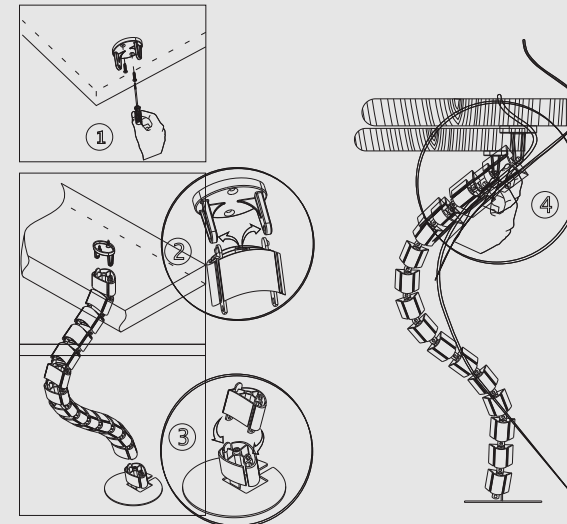


INSTALLATION AND DIMENSIONS

Parts:



INSTALLATION STEPS:



HASP

Height-adjustable Cable Spine



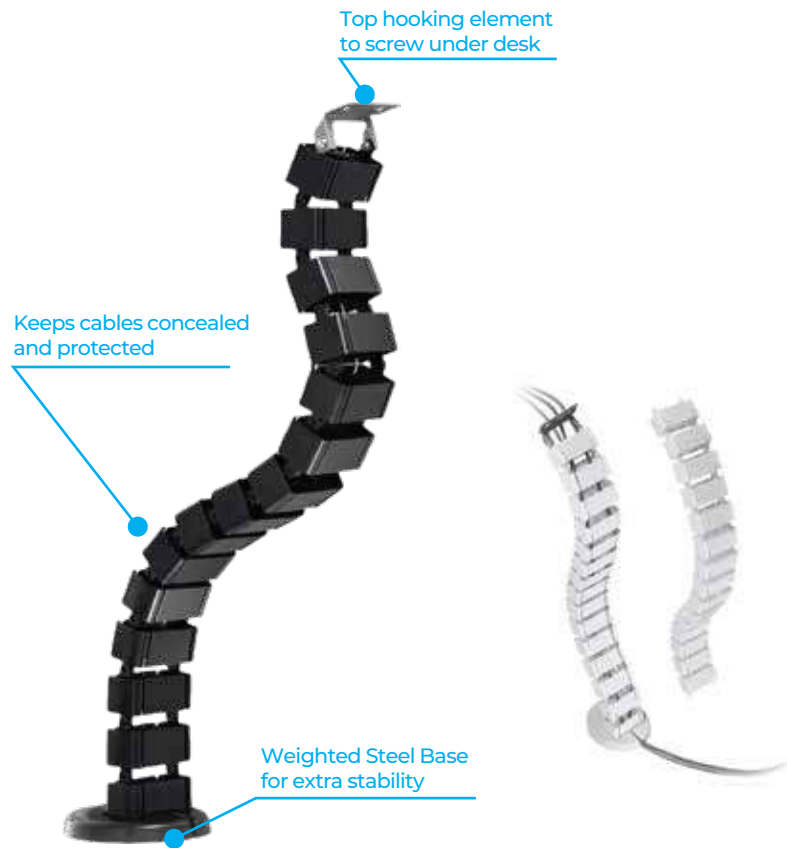
ABL's height adjustable cable spines have been developed to work with sit/stand desks. Its flexible design keeps all your cables and wires organised and free from damage and knots.

Our sit/stand cable spine is available in 3 colours (black, white and silver) and provides an organised, neat finish to any office.

- PREMIUM CATEGORY CABLE MANAGEMENT
- CABLE ORGANISER & HIDER: KEEP CABLES CONCEALED AND PROTECT CABLES FROM THE WEAR AND TEAR
- MODULAR VERTEBRAE STRUCTURE: ALLOWS USERS TO ADD OR SUBTRACT INDIVIDUAL VERTEBRAE AS REQUIRED
- QUAD ENTRYWAY DESIGN: ENABLES CABLE SEPARATION
- WEIGHTED BASE WITH STEEL BLOCK: OFFERS EXTRA STABILITY
- EASY SETUP: TOOL-FREE ASSEMBLY IN MINUTES, NO EXPERT INSTALLATION REQUIRED
- 30 SEGMENTS, ALLOWING FOR A MAXIMUM LENGTH OF 1285MM

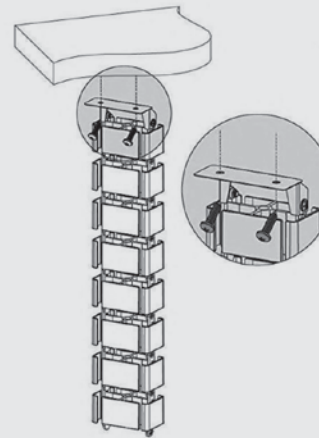


PRODUCT SPECIFICATION

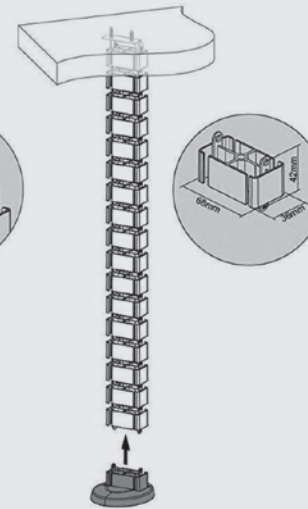


INSTALLATION AND DIMENSIONS

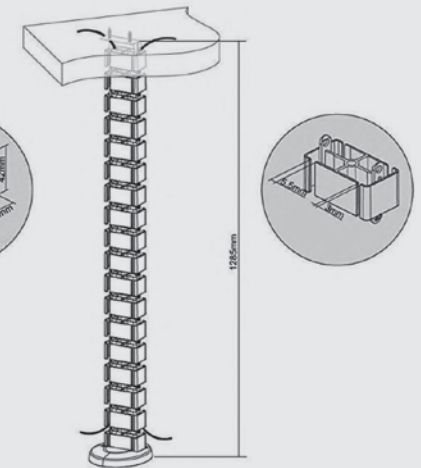
STEP 1



STEP 2



STEP 3



AVAILABLE COLOURS:



WIRE BASKET



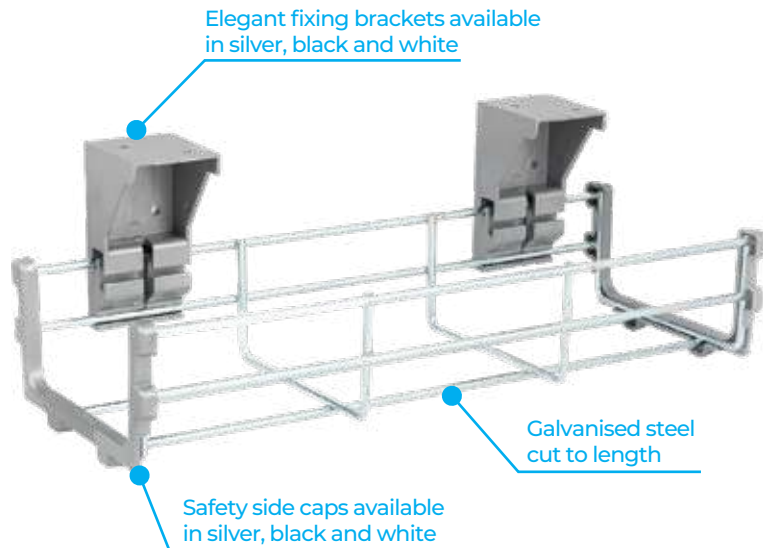
Wire basket provides a sleek finish to the office desk and allows a range of cables and the popular under desk PMK to sit neatly to avoid damage.

Wire Baskets are easy to install via the fixing brackets provided. The chrome-finished basket will help keep cables tidy, reduce knots and prevent trip hazards.

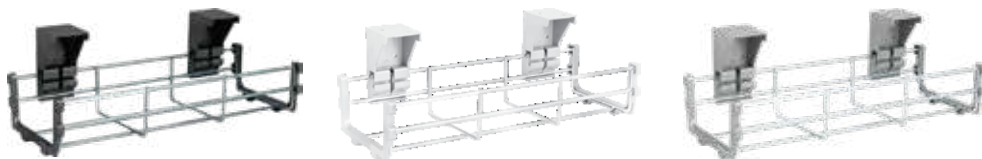
- AVAILABLE IN CUT LENGTHS TO SUIT YOUR INDIVIDUAL NEEDS (100MM INCREMENTS STARTING FROM 0.1M TO 3.0M MAX)
- COMES WITH MATCHING PLASTIC FIXINGS ALLOWING ACCESS TO ONE SIDE
- SUPPLIED COMPLETE WITH SELF-DRILLING SCREWS
- AVAILABLE IN TWO WIDTHS: 100 MM AND 150 MM WIDE



DIMENSIONS

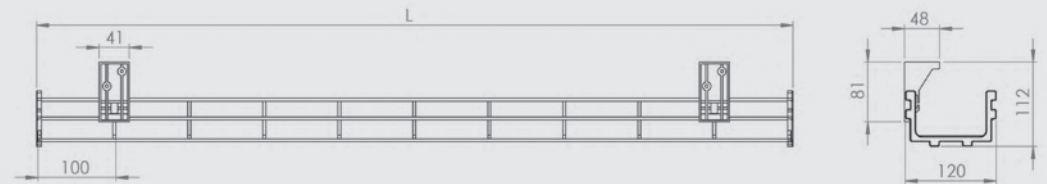


AVAILABLE COLOURS:



*Contact your area sales agent for more information about available wire basket lengths and colours

INSTALLATION AND DIMENSIONS



WB0500TS

0.5M WIRE BASKET WITH BRACKETS,
WIDTH 100 MM, SILVER

WB0800TS

0.8M WIRE BASKET WITH BRACKETS,
WIDTH 100 MM, SILVER

WB1000TS

1.0M WIRE BASKET WITH BRACKETS,
WIDTH 100 MM, SILVER

WB1200TS

1.2M WIRE BASKET WITH BRACKETS,
WIDTH 100 MM, SILVER

CPU & LAPTOP HOLDERS



CPU holders are used to keep the CPU case up and off the floor avoiding dust or dirt with effortless adjusting and greater accessibility to ports and cables.

The height and depth adjustability guarantees compatibility and they fit most sizes or shapes of PC computer cases.

Simple and effortless installation saves much time.

Work faster, tidier and smarter by freeing up space with our range of CPU holders and reduce damage to the PC.



CPU Holder

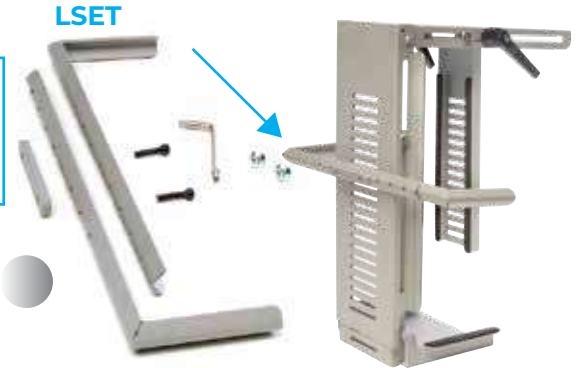


BCPU

- FOR USE ON 25MM THICK DESK TOPS, SIMPLY FOLD OUT AND ATTACH TO DESK WITH SCREWS PROVIDED
- WEIGHT CAPACITY 20KG
- HEIGHT ADJUSTMENT FOR 50MM TO 77MM, 100 MM TO 110 MM OR 128 MM TO 210 MM
- ADJUST HEIGHT USING UNIQUE LEVER

Colour:

i ADD ON THE LOCKING SET
SIMPLY CONVERT BCPU TO
A LOCKABLE UNIT



Colour:



UCPU

- SIMPLE "STRAP" CPU HOLDER
- EASILY ADJUSTED TO SUIT MOST "TOWER" CPU'S
- STRONG AND ROBUST - FACTORY TESTED TO 20 KG

Colour:



MCPU

- BASE CAN BE ADJUSTED TO 0, 15, 30 & 45 DEGREE ANGLES MAKING ACCESS TO DRIVES
- SIMPLE "SCISSOR" WIDTH ADJUSTMENT FROM 90 TO 200MM
- INCLUDES ANTISLIP RUBBER FEET

Colour:

LAPTOP HOLDER

To avoid tech neck while using your laptop, you'll need to find a way to elevate it to a more comfortable viewing height. Of course, you can improvise with stacks of books or boxes, but it might take a bit of fiddling around to find the right height - plus you can't guarantee your home-made solution will be stable, safe or particularly nice to look at.

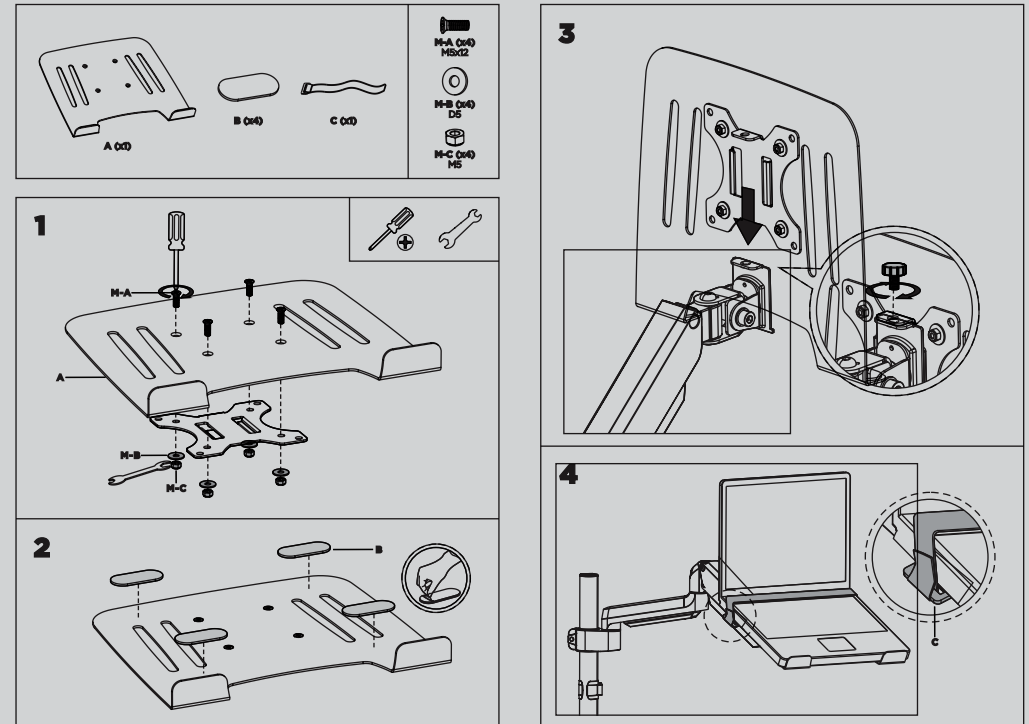
An adjustable laptop stand, used with a separate mouse and keyboard, is the best way of creating a portable ergonomic workstation wherever you go. Help your back and posture by raising your computer screen to eye level and free even more space combined with monitor arms.



LTHOLDER
 HOLDER TO FIT ON MONITOR ARM - BLACK



INSTALLATION STEPS:



ABL Laptop holder - VESA compatible laptop holder



Laptop holder is sold separately from the arm

COMPONENTS FOR IMP INTEGRATION

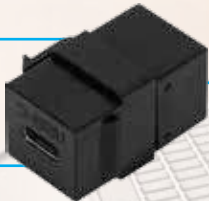
CAT6A coupler

30mm – Metal



USB C coupler

Black / White



USB A coupler

Black / White



HDMI coupler

Black / White



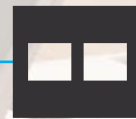
VGA

VGA / Audio



2T000001

IMP Single Keystone Carrier,
Black



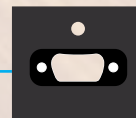
2T000002

IMP Double Keystone Carrier,
Black



2T000003

IMP Single VGA Carrier,
Black



2T000004

IMP Audio & VGA Carrier,
Black



2T000000

IMP Blank,
Black



IMP Cable
pass-through,
Black

IMP carriers are available in three different colours of plastic:

Black



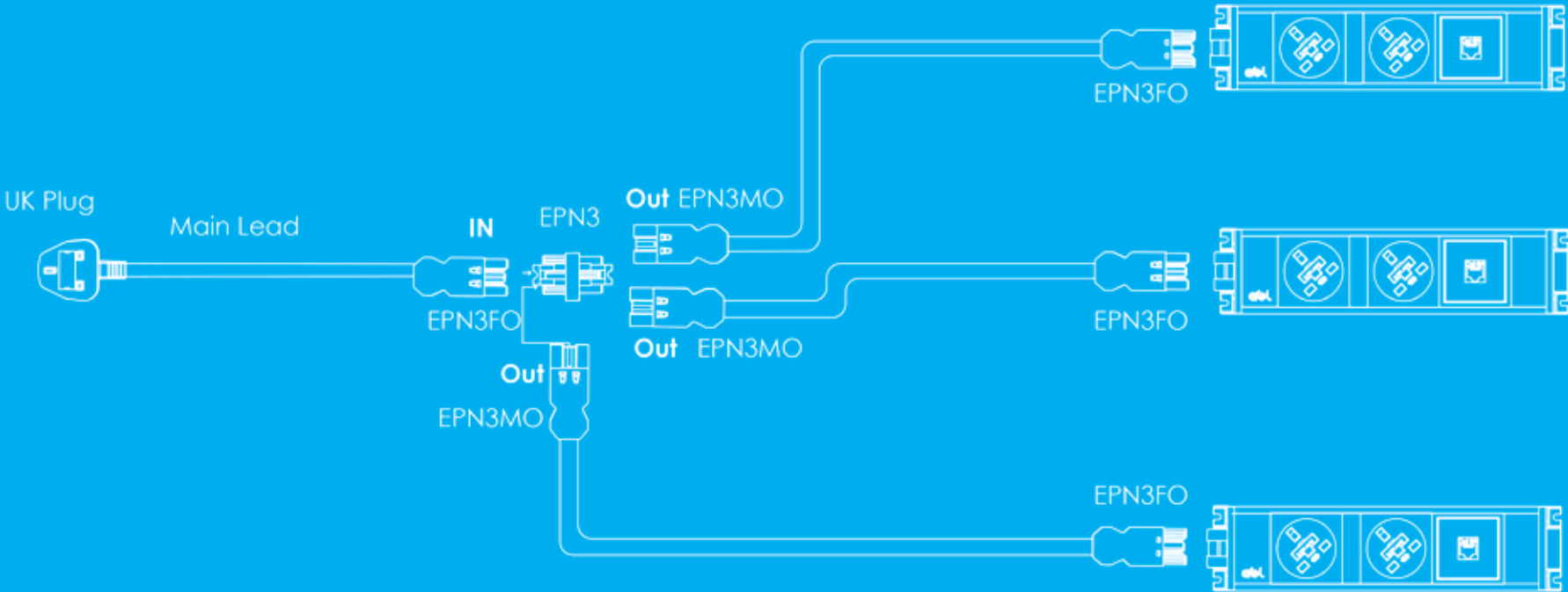
White



Grey



CONNECTING POWER MODULES SAFELY



CONNECTING POWER MODULES SAFELY

ABL manufacture a range of power modules designed to comply with BS6396 which allow our full range of power modules to be installed safely. Each power module be it in desk, on desk or under desk is tested to comply with relevant British standards and equipped with either a 3.15A or 5A fuse.

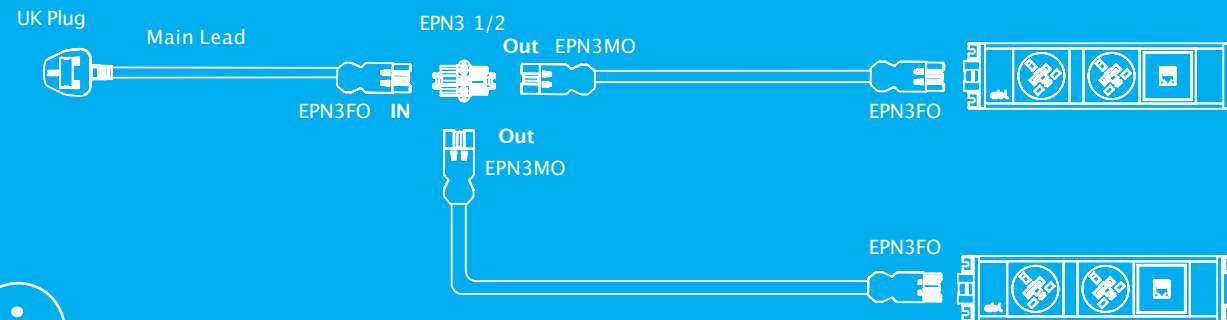
DAISY CHAINING

Daisy chaining also known as series connection is a term that refers to power modules which are connected into other power modules to gain additional power sockets for the end user. ABL offer both a 3.15A and 5A in every power socket. 3.15A allows more power distribution across the 13A power socket, allowing more sockets to be connected.

- 5A – Maximum up to 4 sockets (see example below)
- 3.15A – Maximum 6 sockets (see example below)

ABL Daisy chaining for 5A: Maximum up to 4 sockets

ABL Daisy chaining for 3.15 Amp: Maximum up to 6 sockets



- **MAINS LEAD IS ALWAYS FEMALE CONNECTOR TO PLUG (CHOICE OF SCHUKO, G TYPE...)**
- **PRODUCT OUT CONNECTOR (PMK, UDM, LINK, PORT EL)/FLY LEAD (TRM, CHROMA, FLEXI, AERO FLIP, LEVEL) IS ALWAYS MALE.**
- **FOR PMK, UDM, OPUS, LINK AND PORT EL, USE CONNECTOR LEAD FOR CONNECTING WITH MAINS LEAD. FOR DAISY CHAINING, USE 2 IN DISTRIBUTION BLOCK (DIST2) BETWEEN UNDER DESK POWER MODULE AND ON/IN DESK POWER MODULES.**
- **FOR CHROMA, FLEXI, AERO FLIP AND LEVEL DIRECTLY CONNECT ITS DROP LEAD TO MAINS LEAD, OR USE 2 IN 1 DISTRIBUTION BLOCK (DIST2) FOR DAISY CHAINING**



BRITISH OWNED MANUFACTURER

WE ARE THE SOLE MANUFACTURER OF POWER MODULES TO HOLD A BSI KITEMARK

+44 (0) 1933 400 080 (UK & IRELAND)

+381 (0) 32 420 100 (EMEA REGION)

sales@abl-ltd.com

www.abl-ltd.com