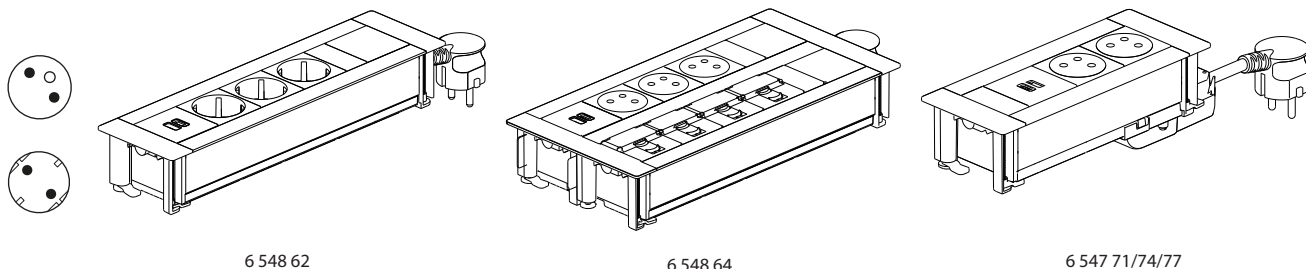


Incara™ Multilink

Cat. No(s) : 6 547 70 to 81 - 6 547 85 to 87 - 6 547 89 to 93 - 6 548 60 to 65



1. USE

Incara™ Multilink is a product to be embedded into furniture, providing power, data and audio-video functions close to possible to the user. Ideal solution for meeting room tables, Incara™ Multilink is configurable according to users' needs (the length of the product adapts to the number of functions requested) and harmoniously fits into the furniture thanks to its low thickness and its 3 finishes (white, black and metal). A wall-mounted version is also available for installation on drywalls.

2. RANGE

Incara™ Multilink to be mounted into furniture with 2m cord				Standards	4 modules (1 compartment)			6 modules (1 compartment)			8 modules (1 compartment)		
					White	Black	Black/Metal	White	Black	Black/Metal	White	Black	Black/Metal
1x 2P+E	1 USB A+C 15 W	-	-	French	6 547 70	6 547 73	6 547 76	-	-	-	-	-	-
				Schuko	6 547 79	6 547 85	6 547 89	-	-	-	-	-	-
2x 2P+E	1 USB A+C 15 W	-	-	French	-	-	-	6 547 71	6 547 74	6 547 77	-	-	-
				Schuko	-	-	-	6 547 80	6 547 86	6 547 90	-	-	-
	1 USB C 30 W PD	-	-	French	-	-	-	-	-	6 547 92	-	-	-
				Schuko	-	-	-	-	-	6 547 93	-	-	-
1 USB A+C 15 W	1 RJ45 Cat. 6 FTP	1 HDMI	French	-	-	-	-	-	-	6 547 72	6 547 75	6 547 78	
	1 RJ45 Cat. 6 UTP		Schuko	-	-	-	-	-	-	6 547 81	6 547 87	6 547 91	

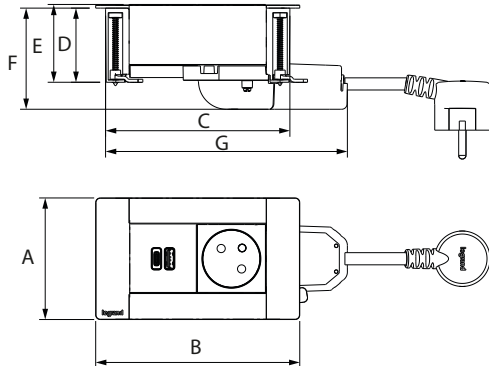
Incara™ Multilink to be mounted into the wall with 2m cord				Standards	White finish		
					8 modules (1 compartment)	12 modules (1 compartment)	2x8 modules (2 compartments)
3x 2P+E	1 USB A+C 15 W	-	-	French	6 548 60	-	-
				Schuko	6 548 62	-	-
		3 RJ45 Cat. 6 FTP	1 HDMI	French	-	6 548 61	-
				Schuko	-	6 548 63	-
		4 RJ45 Cat. 6 FTP	-	French	-	-	6 548 64
				Schuko	-	-	6 548 65

Other wiring devices configurations & sizes possible on demand
 RJ45 & HDMI = rear plug (female/female)
 British Standard: available on request

3. DIMENSIONS

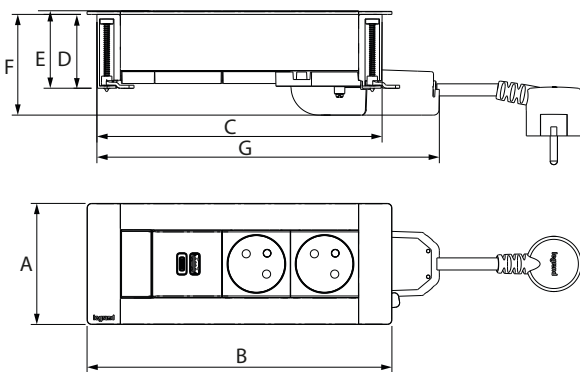
■ **3.1 Incara™ Multilink to be mounted into furniture**

3.1.1 1 compartment 4 modules



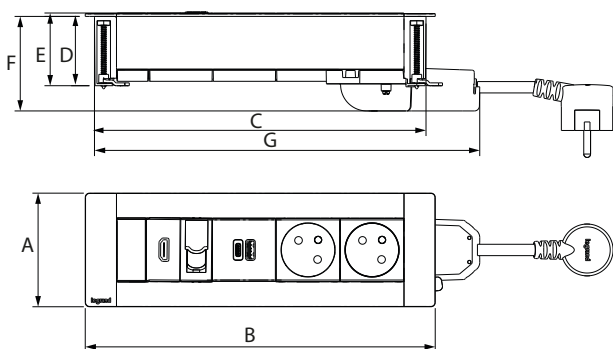
Cat. Nos	A	B	C	D	E	F	G
6 547 70/73/76 /79/85/89	80	134.3	121.3	48.8	51.2	66.6	159.1

3.1.2 1 compartment 6 modules



Cat. Nos	A	B	C	D	E	F	G
6 547 71/74/77 80/86/90/93	80	201.5	188.5	48.8	51.2	66.6	226.3
6 547 92	80	224	211	48.8	51.2	66.6	248.8

3.1.3 1 compartment 8 modules

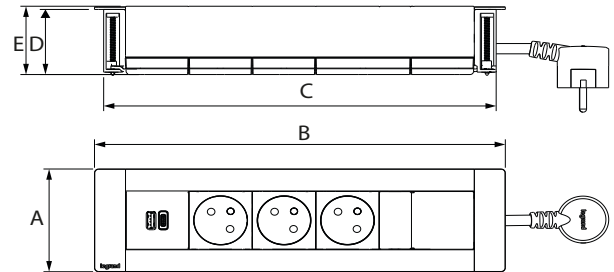


Cat. Nos	A	B	C	D	E	F	G
6 547 72/75/78 81/87/91	80	246.5	233.5	48.8	51.2	66.6	271.3

3. DIMENSIONS (cont.)

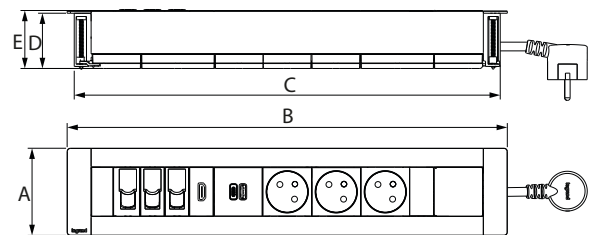
■ **3.2 Incara™ Multilink to be mounted into the wall**

3.2.1 1 compartment 8 modules



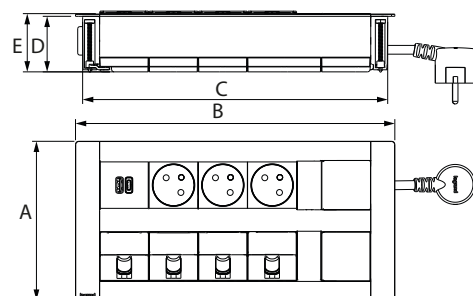
Cat. Nos	A	B	C	D	E
6 548 60/62	80	291.5	278.5	50.7	53.2

3.2.2 1 compartment 12 modules



Cat. Nos	A	B	C	D	E
6 548 61/63	80	404	391	50.7	53.2

■ **3.2.3 2 compartments 2x8 modules**



Cat. Nos	A	B	C	D	E
6 548 64/65	145	291.5	278.5	50.7	53.2

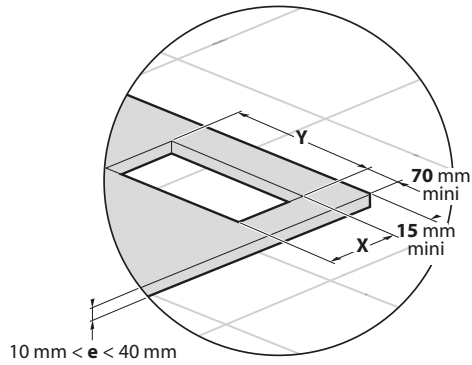
4. INSTALLATION

Must not be fitted on the floor.

■ **4.1 Into furniture**

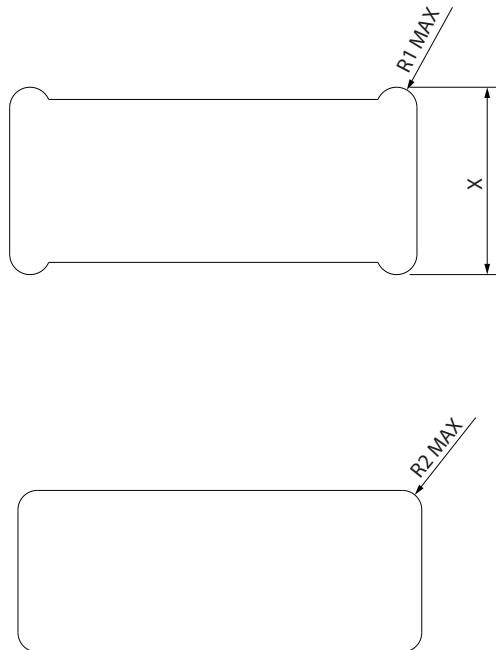
4.1.1 Drilling dimensions and max cut-out radius in corners

4.1.1.1 Sharp edges cut-out



	X ± 1 mm	Y ± 1 mm
6 547 70/73/76/79/85/89	67	125
6 547 71/74/77/80/86/90/93	67	193
6 547 72/75/78/81/87/91	67	238
6 547 92	67	215

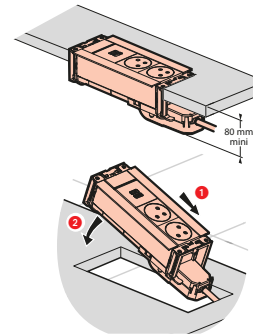
4.1.1.2 CNC machining cut-out



Multilink cat. nos	X	R1 MAX	R2 MAX
6 547 70/73/76/79/85/89	75	10	5
6 547 71/74/77/80/86/90			
6 547 72/75/78/81/87/91			
6 547 92/93			

4. INSTALLATION (cont.)

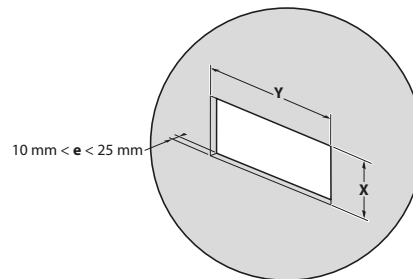
4.1.2 Installation and fixing



■ **4.2 Into the wall**

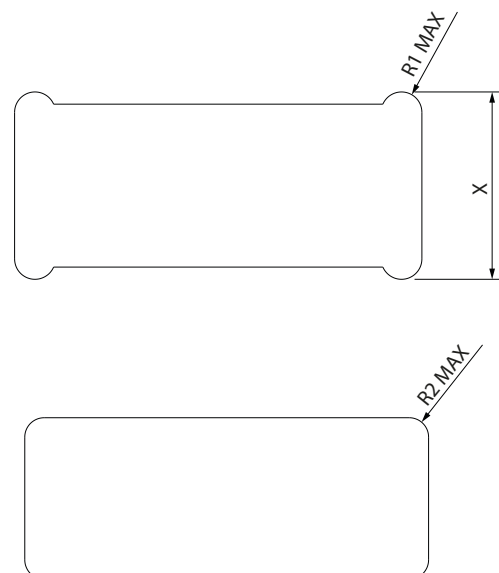
4.2.1 Drilling dimensions and max cut-out radius in corners

4.2.1.1 Sharp edges cut-out



	X ± 1 mm	Y ± 1 mm
6 548 60/62	67	283
6 548 61/63	67	396
6 548 64/65	132	283

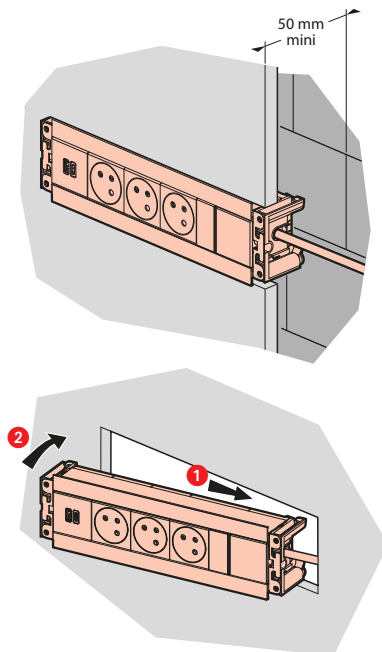
4.2.1.2 CNC machining cut-out



Multilink cat. nos	X	R1 MAX	R2 MAX
6 548 60/61/62/63	75	10	5
6 548 64/65	140		

4. INSTALLATION (cont.)

4.2.2 Installation and fixing



5. TECHNICAL CHARACTERISTICS

■ 5.1 Mechanical characteristics

Resistance to Impact: IK 07
Degree of protection provided by enclosures: IP 30

■ 5.2 Material characteristics

- Wiring devices frames: Polycarbonate
- Housing:
 - . ABS
 - . galvanised steel (Z275)
 - . aluminium
- Visible parts of housing:
 - . Anodised aluminium
 - . Anodised black aluminium
 - . Anodised white aluminium

■ 5.3 Electrical characteristics

5.3.1. 2 P+E sockets characteristics

- Supply voltage: 250V~
- Frequency: 50/60 Hz
- Rated current:
 - . for French & Schuko standards = 16A
 - . for British standard : individually fused = 5A

5.3.2 USB charger characteristics

- Refer to technical data sheet of cat. Nos of:
- USB A + C 15 W chargers: 0 775 70L (white)
and 0 791 93L (mat black)
 - USB C 30 W chargers: 0 791 85L (mat black)

5.3.3 Rear plug RJ45 characteristics compliant to:

PoE+ pour Cat.6 UTP & FTP
PoE++ pour Cat. 6A FTP

5. TECHNICAL CHARACTERISTICS (cont.)

5.3.4 Cords characteristics

H05VV-F 3G 1.5mm²

■ 5.4 Climate characteristics

Operating temperature: from -5°C to +35°C
Storage temperature: from -10°C to +70°C

6. CLEANING

Superficial cleaning with a soft cloth. Do not use abrasive products or detergents.

Caution: Always test before using other special cleaning products

7. STANDARDS AND APPROVALS

Compliant to:

Standards			
French	Schuko	British	
		socket	complete product
NF C61-314 and IEC 60884-1	IEC 60884-1	BS 1363-2	BS 5733

USB charger compliant to IEC 62368-1

Products should be installed by competent persons to the current version of the local wiring regulations.
Please consult Legrand locally for further details.