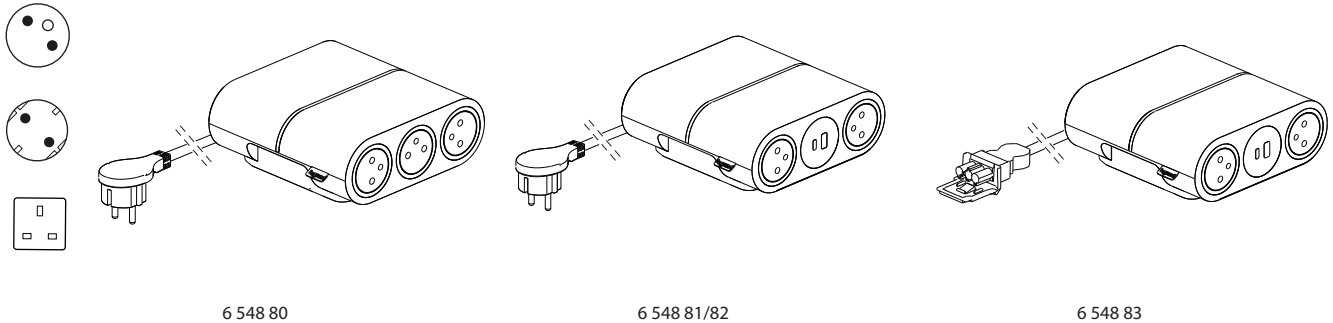


Incara™ Link'On

Cat. No(s) : 6 548 80 to 83 - 6 548 86 to 89 - 6 548 91 to 93



1. USE

Incara™ Link'On offers ready-to-use power outlets and USB charging to be placed directly on the meeting table. With the integrated GST18i3 socket, Incara™ Link'On offers the ability to daisy-chain a second product to suit connection needs.

2. RANGE

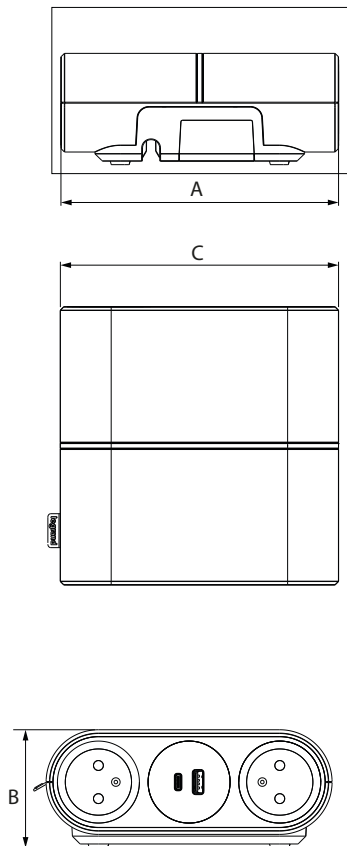
Incara™ Link'On 2,5 m cord Black finish	Standards	
	French	Schuko
6x 2P+E	6 548 80	6 548 86

Incara™ Link'On daisy chain 2,5 m cord Black finish	câble 2 m	Possibility of adding an extension due to the integration of	Standards					
			French	Extension to be associated with for more users	Schuko	Extension to be associated with for more users	British	Extension to be associated with for more users
4x 2P+E	2 USB A+C	1 HDMI	6 548 81	6 548 83	6 548 87	6 548 89	6 548 91	6 548 93
		-	6 548 82		6 548 88		6 548 92	

Incara™ Extension for 4 sockets Link'On and 1,5 m cord with Wieland® GST18i3 connector	Standards			
	French	Schuko	British	
4x 2P+E	2 USB A+C	6 548 83	6 548 89	6 548 93

Other wiring devices configurations possible on demand

3. DIMENSIONS

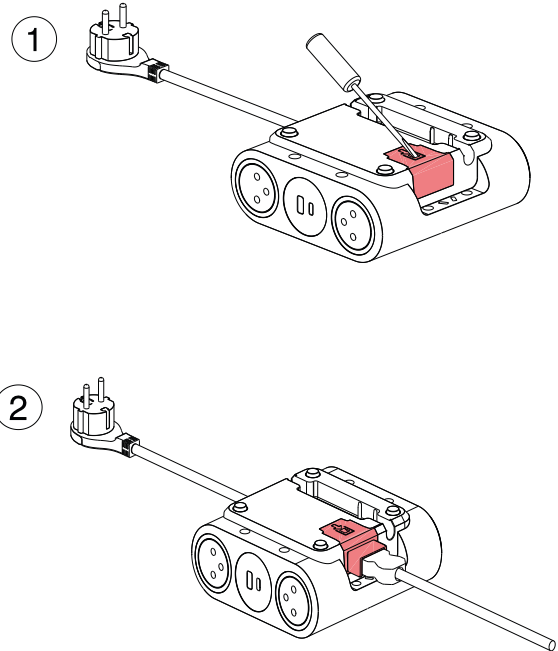


A	B	C
164	68	164

4. INSTALLATION

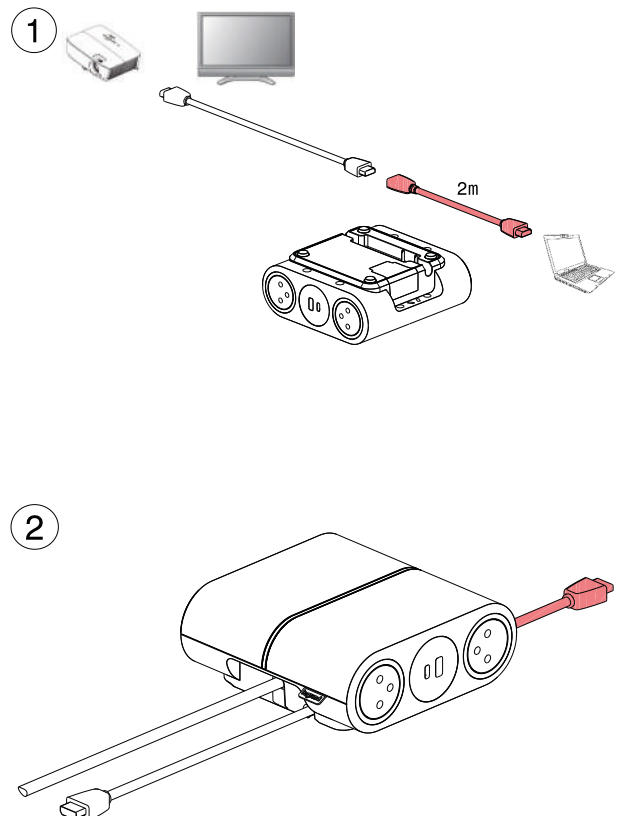
■ **4.1 Daisy-chaining of 2 Incara™ Link'On**

Cat. Nos 6 548 81/82 or 6 548 87/88 or 6 548 91/92



Specific case of cat. Nos with HDMI

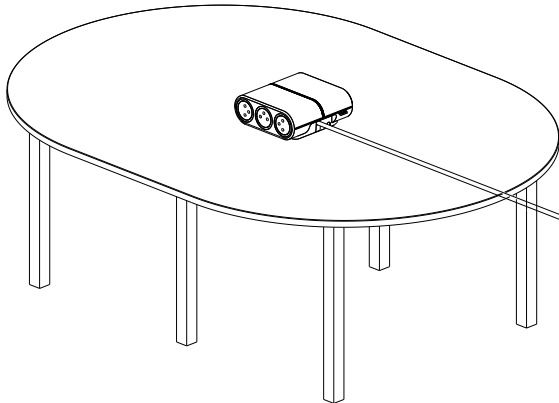
Cat. nos 6 548 81/87/91



4. INSTALLATION (cont.)

4.2 - 6 sockets Incara™ Link'On on a meeting room table

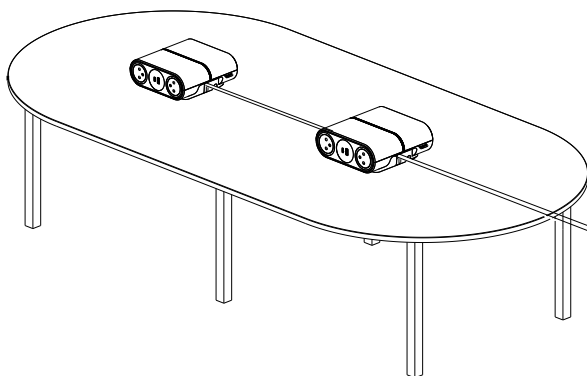
for example, cat. no 6 548 80 or 6 548 86



4.3 Daisy-chaining of 2 x 4 sockets Incara™ Link'On on a meeting room table

for examples, cat. nos

- 6 548 81 or 82 + 6 548 83
- or 6 548 87 or 88 + 6 548 89
- or 6 548 91 or 92 + 6 548 93



5. TECHNICAL CHARACTERISTICS

5.1 Mechanical characteristics

Resistance to Impact: IK 07
Degree of protection provided by enclosures: IP 30

5.2 Material characteristics

- Wiring devices frames: Polycarbonate
- Housing: ABS
- Color: black RAL 9017

5.3 Electrical characteristics

5.3.1 2 P+E sockets characteristics

- Supply voltage: 250V~
- Frequency: 50/60 Hz
- Rated current:

- . for French & Schuko standards = 16A
- . for British standard, individually fused :
 - cat. nos 6 548 91/92 = 5A
 - cat. nos 6 548 93 = 3.15A

5. TECHNICAL CHARACTERISTICS (cont.)

5.3.2 USB charger characteristics (LXX15)

Trade mark	
Address	128, av. du Maréchal-de-Lattre-de-Tassigny - 87045 LIMOGES Cedex Tél. : 0 (+33) 5 55 06 87 87 - Fax : 0 (+33) 5 55 06 88 88 www.legrand.com
Input voltage	110-240V
Input AC frequency	50-60Hz
Output voltage	5,0V
Output current	3,0A
Output power	15,0W
Average active efficiency	83,9%
Efficiency at low load (10%)	83,3%
No-load power consumption	0,06W

5.3.3 Cords characteristics

HO3RT-H 3 G 1.5mm²

5.4 Climate characteristics

Operating temperature: from -5°C to +35°C
Storage temperature: from -10°C to +70°C

6. CLEANING

Superficial cleaning with a soft cloth. Do not use abrasive products or detergents

Caution: Always test before using other special cleaning products

7. STANDARDS AND APPROVALS

Compliant to

		Standards	
French	Schuko	British	
		socket	complete product
NF C61-314 and IEC 60884-1	IEC 60884-1	BS 1363-2	BS 5733

USB charger compliant to IEC 62368-1

Products should be installed by competent persons to the current version of the local wiring regulations.

Please consult Legrand locally for further details.