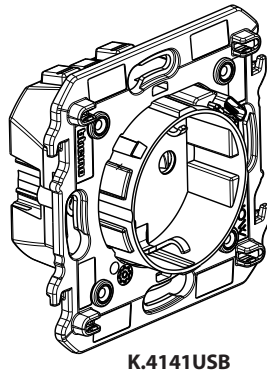
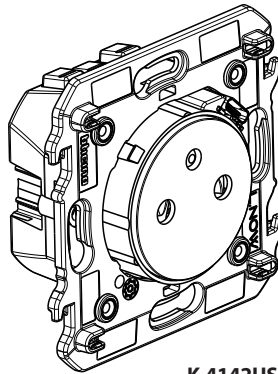


2P+E+typeC mixed socket outlet



K.4141USB



K.4142USB

1. USE

2 P+E socket outlets with child protection.

USB Type C socket: for recharging portable devices such as phones, smartphones, tablets, MP3, MP4, loudspeakers, watches, game consoles, powerbanks.

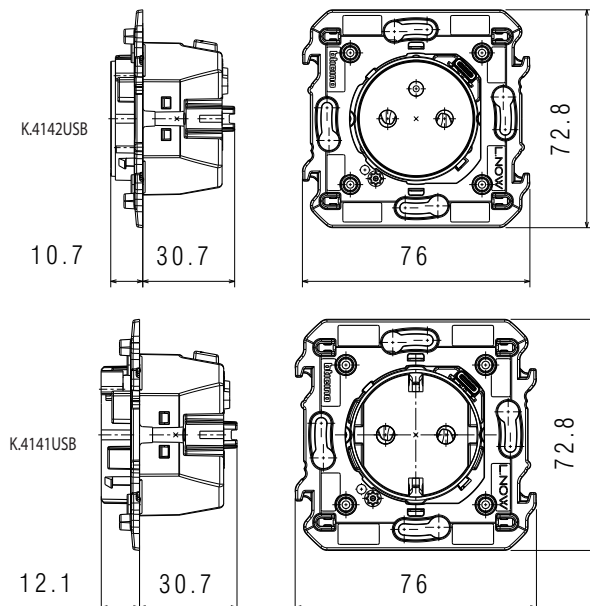
Recessed mounting in box depth 40 mm min.

Fixing with screws .To be equipped with related cover and plate.

2. RANGE

Description French standard	White	Sand	Black
Mixed socket composed of: - 2 P+E socket flush surface - 16 A - 250 V~ - single USB socket - 5 V= - 1.5 A - 7.5 W Supplied with support (spacing 71mm)	KW4142USB related cover KW62	KM4142USB related cover KM62	KG4142USB related cover KG62
Description German standard	White	Sand	Black
Mixed socket composed of: - 2 P+E socket outlet - 16 A - 250 V~ - single USB socket - 5 V= - 1.5 A - 7.5 W Supplied with support (spacing 71 mm)	KW4141USB related cover KW63	KM4141USB related cover KM63	KG4141USB related cover KG63

3. DIMENSIONS (mm)



4. CONNECTION

■ 4.1 2 P+E socket outlet

Type of terminals: automatics

Terminal capacity: 6 x 2.5 mm²

Stripping length: 11 mm

Flexible or rigid cables compatible

■ 4.2 Type C USB socket

Prewired socket

5. TECHNICAL CHARACTERISTICS

■ 5.1 Mechanical characteristics

Protection against impact: IK 04

Protection against solid bodies and liquids: IP 40

■ 5.2 Material characteristics

Mechanism casing: PC

Cover plate: PC White RAL- PC Ivory RAL1013 - PC painted Aluminium

Support: PC grey RAL 7016 + metal

Claws: Steel

Halogen free

UV resistant

Self-extinguishing:

850° C / 30 s for insulating parts holding live parts in place

650° C / 30 s for other parts made of insulating materials.

■ 5.3 Electrical characteristics 2 P+E socket

Voltage: 250 V~

Current: 16 A

Frequency: 50/60 Hz

■ 5.4 Electrical characteristics USB socket

Integrated surge protection

All values listed below are measured at an ambient temperature of + 25° and after 15 minutes of operation.

Connector	USB Type C
Nominal input voltage	250 V~
Nominal input frequency	50-60 Hz
Nominal input current	200 mA
Stand-by power consumption	0.07 W - 0.075 mA - 7.5 W
Nominal output voltage	5 V=
Nominal output current	1.5 A
Efficiency can meet energy star level "VI" (≥ 76% measured at USB socket output side)	
Safety standard	EN62368-1
Protection class	II - Low voltage

2P+E+typeC mixed socket outlet

5. TECHNICAL CHARACTERISTICS *(continued)*

■ 5.5 Climatic characteristics

Storage temperature: - 10° C to + 70° C

Use temperature: - 5° C to + 35° C

6. CLEANING

Surface cleaning with a cloth.

Do not use: acetone, tar remover, trichlorethylene.

Caution: A preliminary test should be carried out if other specific cleaning products are to be used.

7. STANDARDS AND APPROVALS

Compliant with installation and manufacturing standards.

See e-catalogue.