

Motion detector - Professional Line

IS 2360-3 ECO



EAN 4007841 057770
Article number 057770



infrared sensor
360°



max. 12 m

2000w

2000 W max.
(LED-ready)



IP54



2 - 1000 lux



5 sec - 15 min



energy saving

5 JAHRE
HERSTELLER
GARANTIE

manufacturer's
warranty
steinel-professional.de/garantie



CE

Function description

The multi-talent for indoors and outdoors. Infrared wall sensor IS 2360-3 ECO, 3 pyro sensors for a 360° angle of coverage, reach can be set up to 12 m, selectable time and twilight threshold, detection zone can be customised with shrouds.

IS 2360-3 ECO

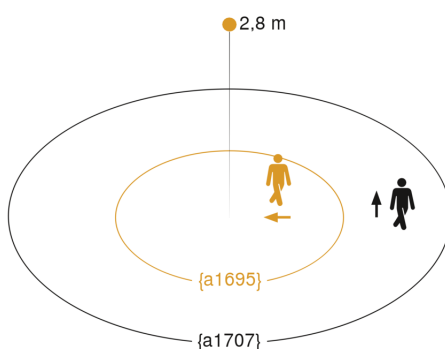
EAN 4007841 057770
Article number 057770

Technical specifications

Type	Motion detectors
Dimensions (Ø x H)	121 x 57 mm
Mains power supply	220 – 240 V / 50 – 60 Hz
Power consumption	0,56 W
Sensor Technology	passive infrared
Application, place	Outdoors, Indoors
Installation site	ceiling
Installation	Surface wiring
Mounting height	2,50 – 6,00 m
Reach, radial	Ø 12 m (113 m ²)
Reach, tangential	Ø 24 m (452 m ²)
Detection angle	360 °
Angle of aperture	90 °
Switching zones	972 switching zones
Optimum mounting height	2,8 m
Mechanical scalability	No
Sneak-by guard	Yes
Capability of masking out individual segments	Yes
Electronic scalability	No
Twilight setting TEACH	No
Twilight setting	2 – 1000 lx

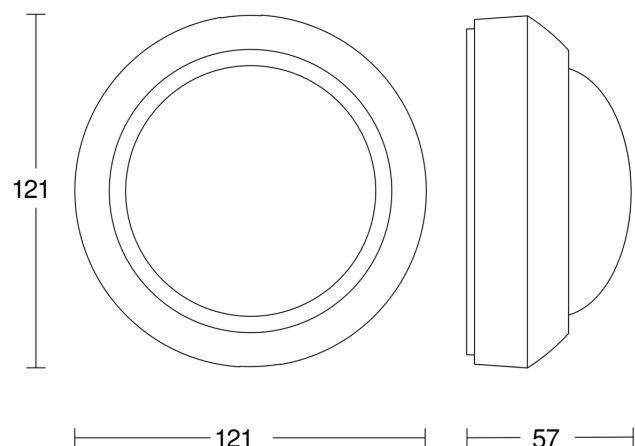
Time setting	5 s – 15 Min.
Switching output 1, resistive	2000 W
Switching output 1, number of LEDs / fluorescent lamps	8 pcs.
Switching output 1, floating	No
Switching output 1, low-voltage halogen lamps	1000 VA
Constant-lighting control	No
Basic light level function	No
Settings via	Potentiometers
With remote control	No
Interconnection	Yes
Type of interconnection	Master/master
IP-rating	IP54
Material	Plastic
Ambient temperature	-20 – 50 °C
Application, room	corridor / aisle, changing room, function room / ancillary room, kitchenette, stairwell, WC / washroom, multi-storey / underground car park, outdoors, warehouse, Indoors
Colour	white
Colour, RAL	9010
IDs, certificates	VDE
Manufacturer's Warranty	5 years
PU1, EAN	4007841057770

Detection Zone



Mögliche Montagehöhe: 2,50 m – 6,00 m
Orange: radial
Schwarz: tangential

Dimension Drawing



IS 2360-3 ECO

EAN 4007841 057770
Article number 057770

Circuit diagram

