

Presence detector - Professional Line

# IR Quattro HD

DALI-2 Application Controller

EAN 4007841 002756



infrared sensor  
360°



max. 8 x 8 m  
presence

**HD**

4800 zones

**2000w**

2000 W max.  
(LED-ready)



IP20



ideal 2.5 - 10 m



indoor sensor



energy saving

**5 JAHRE**  
HERSTELLER  
GARANTIE

manufacturer's  
warranty  
[steinel-professional.de/garantie](https://www.steinel.de/garantie)



CE

## Function description

Detection no finer! Infrared presence detector Presence Control PRO IR Quattro HD DALI-2 Application Controller for indoors, ideal for medium to large-size offices, conference and meeting rooms, classrooms and lecture theatres, sports halls and warehouses, installation height up to 10 m, with digital DALI-2 Application Controller interface for controlling 2 lighting channels, 4800 switching zones for the ultimate in detection quality, presence detection over a true 64 m<sup>2</sup>, square detection zone, mechanically scalable.

# IR Quattro HD

DALI-2 Application Controller  
EAN 4007841 002756

## Technical specifications

Type	Presence detector
Dimensions (L x W x H)	70 x 120 x 120 mm
Mains power supply	230 V / 50 – 60 Hz
Sensor Technology	passive infrared
Application, place	Indoors
Installation site	ceiling
Installation	Concealed wiring
Mounting height	2,50 – 10,00 m
Reach, radial	8 x 8 m (64 m <sup>2</sup> )
Reach, tangential	20 x 20 m (400 m <sup>2</sup> )
Reach, presence	8 x 8 m (64 m <sup>2</sup> )
Detection angle	360 °
Angle of aperture	160 °
Switching zones	4800 switching zones
Optimum mounting height	2,8 m
Mechanical scalability	Yes
Sneak-by guard	Yes
Capability of masking out individual segments	No
Electronic scalability	No
Twilight setting TEACH	Yes
Twilight setting	10 – 1000 lx
Time setting	30 s – 30 Min.

## Accessories

EAN 4007841 592806	User remote control RC5
EAN 4007841 003036	Control PRO guard cage
EAN 4007841 000363	Surface-mounting adapter Control PRO AP Box (IP54)
EAN 4007841 009151	Remote control Smart Remote
EAN 4007841 559410	Service remote control RC8

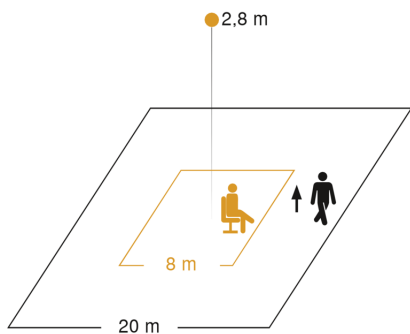
Control output, Dali	Broadcast 2x12 electronic ballasts
Constant-lighting control	Yes
Basic light level function	Yes
Basic light level function in per cent	10 – 50 %
Basic light level function time	1-60 min, all night
Basic light level function percentage, from	10 %
Basic light level function percentage, up to	50 %
Functions	Normal / test mode, Semi-/fully automatic, Pushbutton / switch mode, Manual ON / ON-OFF, Constant-lighting control ON-OFF
Settings via	Remote control, DIP switches, Potentiometers, Smart Remote
With remote control	No
Interconnection	Yes
Type of interconnection	Master/slave
IP-rating	IP20
Material	Plastic
Ambient temperature	-25 – 55 °C
Application, room	classroom, lecture hall, open-plan office, high-bay warehouse, production facilities, conference room / meeting room, duty room, recreation room, changing room, sports hall, reception / lobby, multi-storey / underground car park, Indoors
Colour	white
Colour, RAL	9010
Manufacturer's Warranty	5 years
Version	DALI-2 Application Controller
PU1, EAN	4007841002756

# IR Quattro HD

DALI-2 Application Controller  
 EAN 4007841 002756

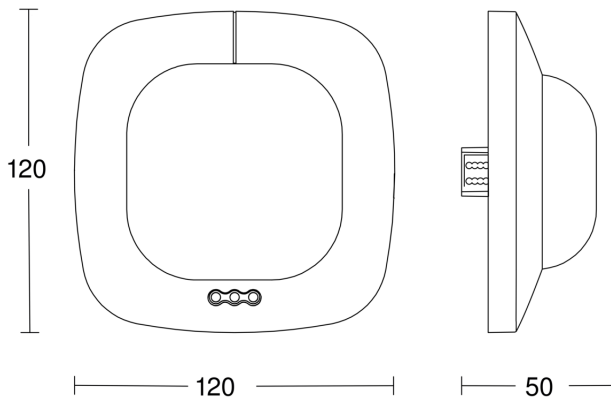


## Detection Zone

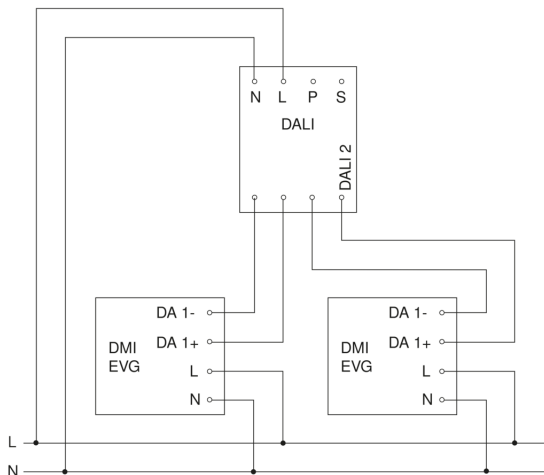


Mögliche Montagehöhe: 2,50 m – 10,00 m  
 Orange: Präsenz  
 Schwarz: tangential

## Dimension Drawing



## Master circuit diagram



## Master/slave interconnection circuit diagram

