

Presence detector - Professional Line

HF 360

COM1

EAN 4007841 002800

Article number 002800



high frequency
sensor 360°



max. Ø 12 m

2000w

2000 W max.
(LED-ready)



IP20



ideal 2,5 - 3,5 m



indoor sensor

iQ

iQ-mode

TEACH

Teach mode



energy saving

5 JAHRE
HERSTELLER
GARANTIE

manufacturer's
warranty
steinel-professional.de/garantie

Function description

Doesn't miss a thing. HF-presence detector Presence Control PRO HF 360 COM1 for indoors, ideal for WCs with toilet cubicles, changing rooms, stairwells, multi-storey car parks, kitchens, installation height up to 3.5 m, for switching light 'ON' and 'OFF', 1 – 12 m reach, reach is electronically adjustable and can be limited in two directions, detection regardless of temperature, HF-sensor technology also detects movement through glass, wood and stud walls.

HF 360

COM1
EAN 4007841 002800
Article number 002800



Technical specifications

| | |
|---|---|
| Type | Presence detector |
| Dimensions (L x W x H) | 56 x 120 x 120 mm |
| Mains power supply | 230 V / 50 – 60 Hz |
| Sensor Technology | High frequency |
| Application, place | Indoors |
| Installation site | ceiling |
| Installation | Concealed wiring |
| Mounting height | 2,50 – 3,50 m |
| Reach, radial | Ø 12 m (113 m ²) |
| Reach, tangential | Ø 12 m (113 m ²) |
| Reach, detail | 1 or 2 detection directions can be masked out by stickers for adjustment to the room situation. |
| HF-system | 5,8 GHz |
| Detection angle | 360 ° |
| Angle of aperture | 140 ° |
| Optimum mounting height | 2,8 m |
| Mechanical scalability | No |
| Sneak-by guard | Yes |
| Capability of masking out individual segments | Yes |
| Electronic scalability | Yes |
| Detection | also through glass, wood and stud walls |

| | |
|----------------------------|---|
| Twilight setting TEACH | Yes |
| Twilight setting | 10 – 1000 lx |
| Time setting | 30 s – 30 Min. |
| Constant-lighting control | No |
| Basic light level function | No |
| Functions | Normal / test mode, Semi-/fully automatic, Pushbutton / switch mode, Manual ON / ON-OFF |
| Settings via | Remote control, DIP switches, Potentiometers, Smart Remote |
| With remote control | No |
| Interconnection | Yes |
| Type of interconnection | Master/master, Master/slave |
| IP-rating | IP20 |
| Material | Plastic |
| Ambient temperature | -25 – 55 °C |
| Application, room | function room / ancillary room, kitchenette, stairwell, WC / washroom, Indoors |
| Colour | white |
| Colour, RAL | 9010 |
| Manufacturer's Warranty | 5 years |
| Version | COM1 |
| PU1, EAN | 4007841002800 |

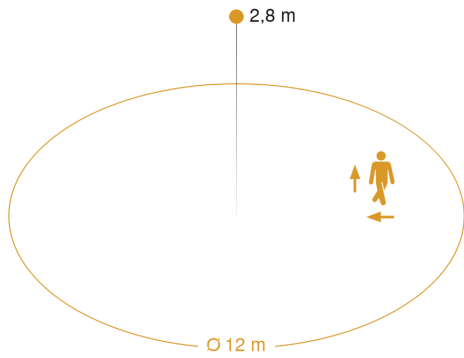
Accessories

| | |
|--------------------|--|
| EAN 4007841 000363 | Surface-mounting adapter Control PRO AP Box (IP54) |
| EAN 4007841 003036 | Control PRO guard cage |
| EAN 4007841 009151 | Remote control Smart Remote |
| EAN 4007841 006600 | HF-ceiling adapter |
| EAN 4007841 559410 | Service remote control RC8 |

HF 360

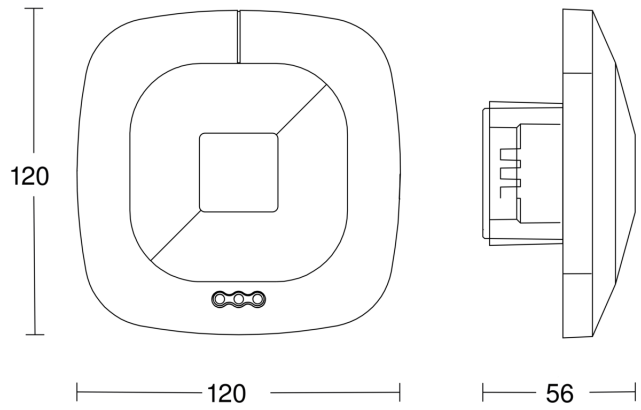
COM1
EAN 4007841 002800
Article number 002800

Detection Zone

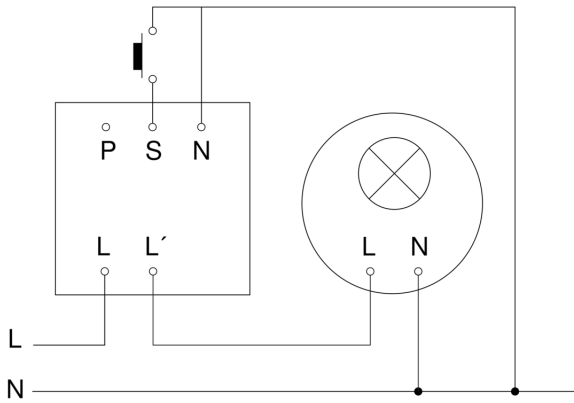


Mögliche Montagehöhe: 2,50 m – 3,50 m
Orange: radial und tangential

Dimension Drawing



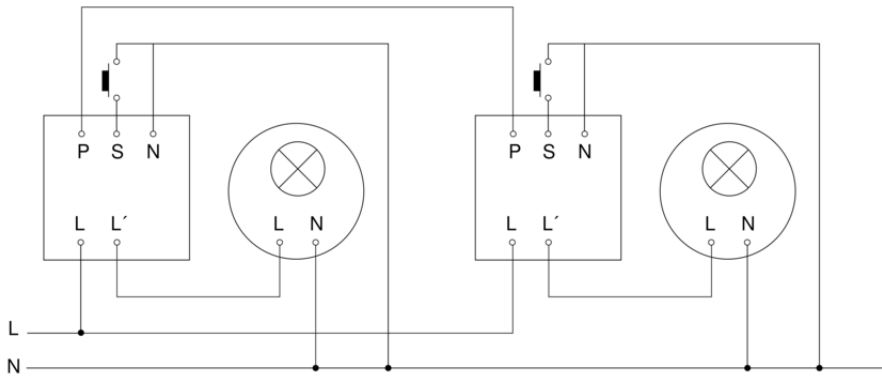
Master circuit diagram



HF 360

COM1
EAN 4007841 002800
Article number 002800

Master/master interconnection circuit diagram



Master/slave interconnection circuit diagram

