

Presence detector - Professional Line

DualTech

COM1

EAN 4007841 007997

Article number 007997



ultrasonic sensor
360°



infrared sensor
360°



max. Ø 6 m
presence

2000w

2000 W max.
(LED-ready)



IP20



ideal 2,5 - 3,5 m



indoor sensor

iQ

iQ-mode

TEACH

Teach mode



energy saving

Function description

The best of both worlds. Combined in one detector. Ultrasonic presence detector DualTech, ideal for offices, conference rooms and class rooms. 36 sq.m. presence zone, ultrasonic technology provides reliable detection behind objects regardless of temperature, additional detection capability with PIR technology, electronic adjustment for ultrasonic reach, COM1 for switching light ON and OFF.

DualTech

COM1
 EAN 4007841 007997
 Article number 007997



Technical specifications

Type	Presence detector
Dimensions (L x W x H)	66 x 120 x 120 mm
Mains power supply	220 – 240 V / 50 – 60 Hz
Sensor Technology	Ultrasonic
Application, place	Indoors
Installation site	ceiling
Installation	Concealed wiring
Mounting height	2,50 – 3,50 m
Reach, radial	Ultrasonic: Ultraschall: Ø 10 m (Ultraschall: 79 m ²)
Reach, tangential	Ultrasonic: Ultraschall: Ø 10 m (Ultraschall: 79 m ²)
Reach, presence	Ultrasonic: Ultraschall: Ø 6 m (Ultraschall: 28 m ²)
Sensor Technology 2	passive infrared
Reach, radial 2	passive infrared: Passiv Infrarot: Ø 4 m (Passiv Infrarot: 13 m ²)
Reach, tangential 2	passive infrared: Passiv Infrarot: Ø 8 m (Passiv Infrarot: 50 m ²)
Reach, presence 2	passive infrared: Passiv Infrarot: Ø 4 m (Passiv Infrarot: 13 m ²)
Ultrasonic technology	40 kHz
Detection angle	360 °
Angle of aperture	180 °
Optimum mounting height	2,8 m
Mechanical scalability	No
Sneak-by guard	Yes
Capability of masking out individual segments	No

Electronic scalability	Yes
Twilight setting TEACH	Yes
Twilight setting	10 – 1000 lx
Time setting	30 s – 30 Min.
Output	2000 W
Constant-lighting control	No
Basic light level function	No
Functions	Normal / test mode, Semi-/fully automatic, Pushbutton / switch mode, Manual ON / ON-OFF
Settings via	Remote control, DIP switches, Potentiometers, Smart Remote
With remote control	No
Interconnection	Yes
Type of interconnection	Master/master, Master/slave
IP-rating	IP20
Material	Plastic
Ambient temperature	-25 – 55 °C
Application, room	classroom, one-person office, open-plan office, conference room / meeting room, duty room, recreation room, Indoors
Colour	white
Colour, RAL	9010
Manufacturer's Warranty	5 years
Version	COM1
PU1, EAN	4007841007997

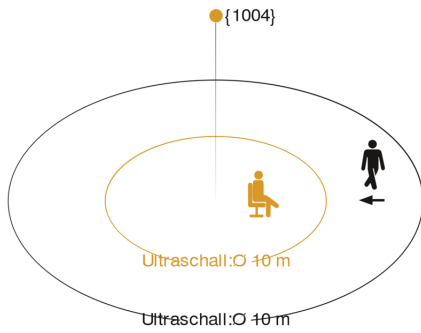
Accessories

EAN 4007841 009151	Remote control Smart Remote
EAN 4007841 559410	Service remote control RC8

DualTech

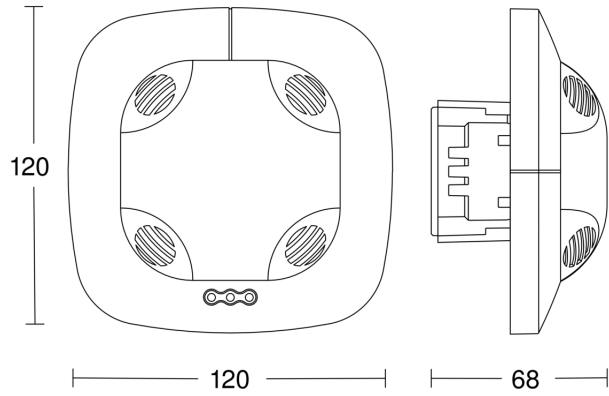
COM1
EAN 4007841 007997
Article number 007997

Detection Zone

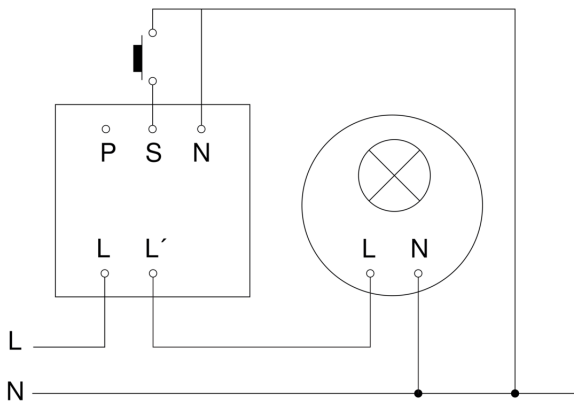


Mögliche Montagehöhe: 2,50 m – 3,50 m
Orange: Präsenz und tangential
Schwarz: radial

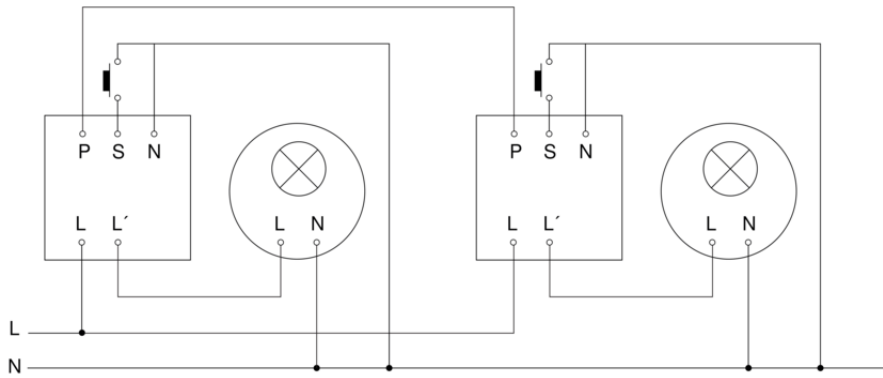
Dimension Drawing



Master circuit diagram



Master/master interconnection circuit diagram



Master/slave interconnection circuit diagram

