

Dual US

COM1

EAN 4007841 007843



ultrasonic sensor
360°



3 x 20 m

2000w

2000 W max.
(LED-ready)



IP20



ideal 2,5 - 3,5 m



indoor sensor

iQ

iQ-mode

TEACH

Teach mode



energy saving

5 JAHRE
HERSTELLER
GARANTIE

manufacturer's
warranty
steinel-professional.de/garantie

Function description

Watches over the entire corridor. And can see around corners. Dual US ultrasonic motion detector, ideal for corridors and passageways. Reliable detection within 20 m, envelops objects as opposed to penetrating them, detection regardless of temperature, electronically adjustable reach, COM1 for switching light ON and OFF.

Technical specifications

Type	Presence detector	Twilight setting	10 – 1000 lx
Dimensions (L x W x H)	71 x 120 x 120 mm	Time setting	30 s – 30 Min.
Mains power supply	220 – 240 V / 50 – 60 Hz	Constant-lighting control	No
Sensor Technology	Ultrasonic	Basic light level function	No
Application, place	Indoors	Functions	Normal / test mode, Semi-/fully automatic, Pushbutton / switch mode, Manual ON / ON-OFF
Installation site	ceiling	Settings via	Remote control, DIP switches, Potentiometers, Smart Remote
Installation	Concealed wiring	With remote control	Yes
Mounting height	2,50 – 3,50 m	Interconnection	Yes
Reach, radial	20 x 3 m (60 m ²)	Type of interconnection	Master/master, Master/slave
Reach, tangential	20 x 3 m (60 m ²)	IP-rating	IP20
Ultrasonic technology	40 kHz	Material	Plastic
Detection angle	360 °	Ambient temperature	-25 – 55 °C
Angle of aperture	180 °	Application, room	corridor / aisle, Indoors
Optimum mounting height	2,8 m	Colour	white
Mechanical scalability	No	Colour, RAL	9010
Sneak-by guard	Yes	Manufacturer's Warranty	5 years
Capability of masking out individual segments	No	Version	COM1
Electronic scalability	Yes	PU1, EAN	4007841007843
Twilight setting TEACH	Yes		

Dual US

COM1

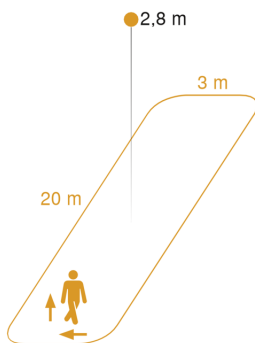
EAN 4007841 007843

Accessories

EAN 4007841 009151 Remote control Smart Remote

EAN 4007841 559410 Service remote control RC8

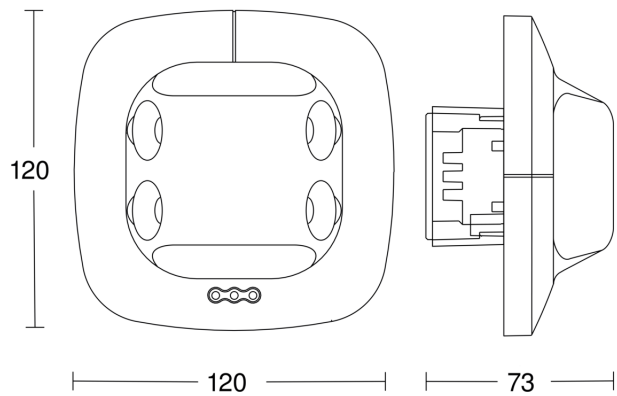
Detection Zone



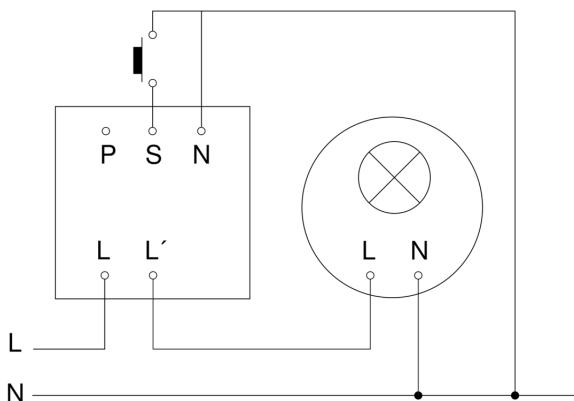
Mögliche Montagehöhe: 2,50 m – 3,50 m

Orange: radial und tangential

Dimension Drawing



Master circuit diagram

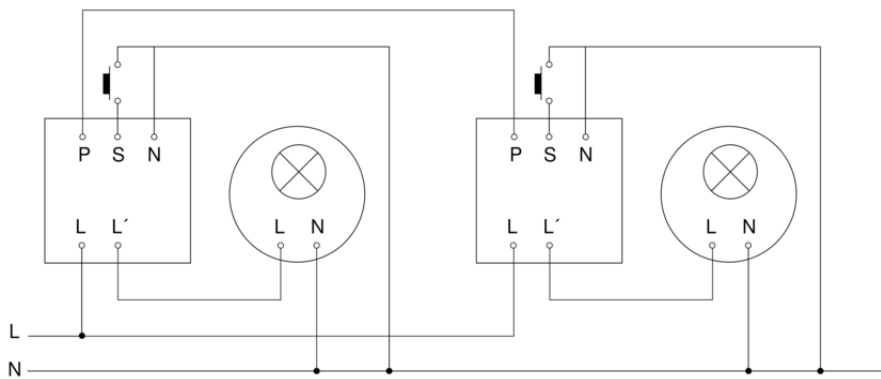


Dual US

COM1

EAN 4007841 007843

Master/master interconnection circuit diagram



Master/slave interconnection circuit diagram

