

# Dual HF

COM1

EAN 4007841 002978



high frequency sensor 360°



max. 20 x 3 m

2000w

2000 W max. (LED-ready)



IP20



ideal 2,5 - 3,5 m



indoor sensor

iQ

iQ-mode

TEACH

Teach mode



energy saving

5 JAHRE HERSTELLER GARANTIE

manufacturer's warranty  
steinel-professional.de/garantie

## Function description

Twice as vigilant! High-frequency corridor sensor Presence Control PRO Dual HF COM1 for indoors, ideal for passageways and long corridors, installation height up to 3.5 m, for switching light 'ON' and 'OFF'; DUAL-HF technology for detecting radial movement over up to 20 m in two directions, detection regardless of temperature, HF-sensor technology detects movement through glass, wood and stud walls, switches light 'ON' almost instantly.

## Technical specifications

Type	Presence detector
Dimensions (L x W x H)	74 x 120 x 120 mm
Mains power supply	230 V / 50 – 60 Hz
Sensor Technology	High frequency
Application, place	Indoors
Installation site	ceiling
Installation	Concealed wiring
Mounting height	2,50 – 3,50 m
Reach, radial	20 x 3 m (60 m <sup>2</sup> )
Reach, tangential	20 x 3 m (60 m <sup>2</sup> )
HF-system	5,8 GHz
Detection angle	360 °
Angle of aperture	140 °
Optimum mounting height	2,8 m
Mechanical scalability	No
Sneak-by guard	Yes
Capability of masking out individual segments	No
Electronic scalability	Yes
Detection	also through glass, wood and stud walls

Twilight setting TEACH	Yes
Twilight setting	10 – 1000 lx
Time setting	30 s – 30 Min.
Constant-lighting control	No
Basic light level function	No
Functions	Normal / test mode, Semi-/fully automatic, Pushbutton / switch mode, Manual ON / ON-OFF
Settings via	Remote control, DIP switches, Potentiometers, Smart Remote
With remote control	No
Interconnection	Yes
Type of interconnection	Master/master, Master/slave
IP-rating	IP20
Material	Plastic
Ambient temperature	-25 – 55 °C
Application, room	corridor / aisle, Indoors
Colour	white
Colour, RAL	9010
Manufacturer's Warranty	5 years
Version	COM1
PU1, EAN	4007841002978

# Dual HF

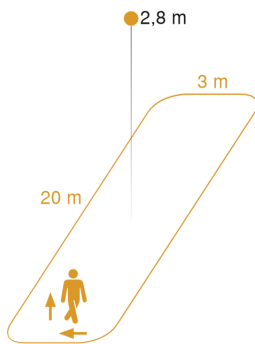
COM1

EAN 4007841 002978

## Accessories

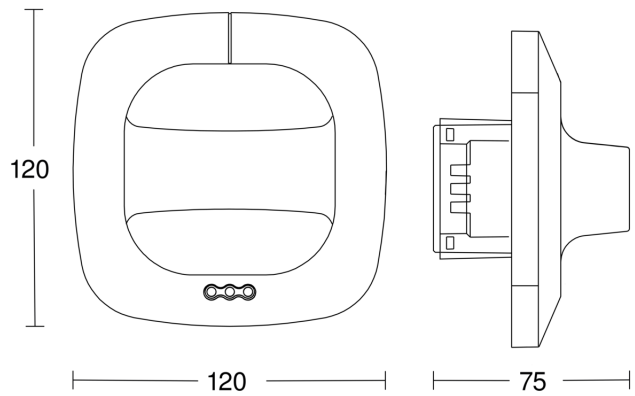
EAN 4007841 000363	Surface-mounting adapter Control PRO AP Box (IP54)
EAN 4007841 003036	Control PRO guard cage
EAN 4007841 009151	Remote control Smart Remote
EAN 4007841 006600	HF-ceiling adapter
EAN 4007841 559410	Service remote control RC8

## Detection Zone

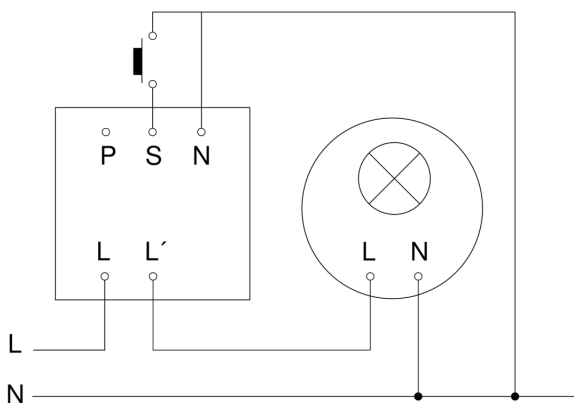


Mögliche Montagehöhe: 2,50 m – 3,50 m  
Orange: radial und tangential

## Dimension Drawing



## Master circuit diagram

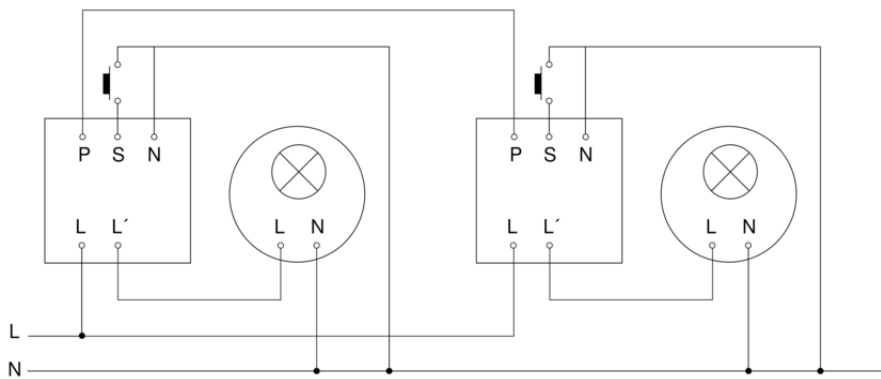


# Dual HF

COM1

EAN 4007841 002978

Master/master interconnection circuit diagram



Master/slave interconnection circuit diagram

