

**1 M 3-wire passive IR switch**

**Description**

3 wire switch with passive infrared movement sensor, suitable for all types of loads, including LED lamps.

Variable threshold twilight sensor with possibility of exclusion.

Switch off delay circuit, adjustable from 30 seconds to 10 minutes.

**Related items**

KW16 Cover plate for 1-module IR switch, white colour

KG16 Cover plate for 1-module IR switch, black colour

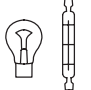


KM16 Cover plate for 1-module IR switch, sand colour



**Technical data**

Power supply: 230 Vac; 50 Hz

Cable section: 2 x 2,5mm<sup>2</sup>

Operating temperature: 5 – 40 °C

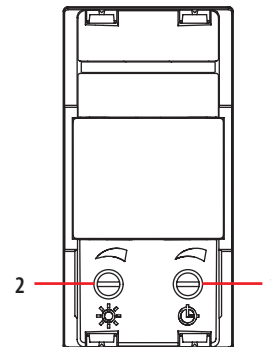
			
Loads	Filament lamp or halogen lamp	Electronic transformer	Fluorescent tube
230 V ~ 50 Hz	2 A 460 W	2 A 460 W	2 A 460 W

		
Loads	Fluorescent compact or LED lamp	Motor
230 V ~ 50 Hz	0,5 A 50 W	2 A 230 W cosφ=0,5

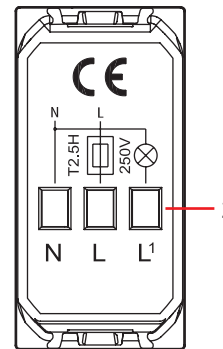
**Dimensional data**

Size: 1 flush mounted module.

Front view

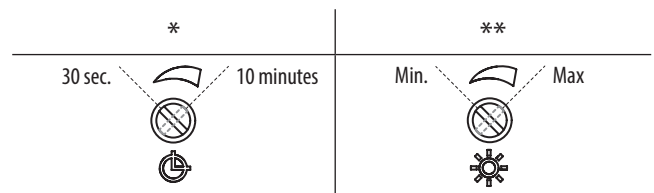


Rear view



**Legend**

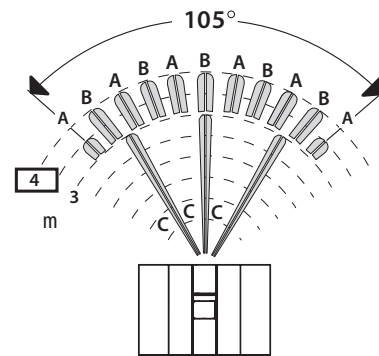
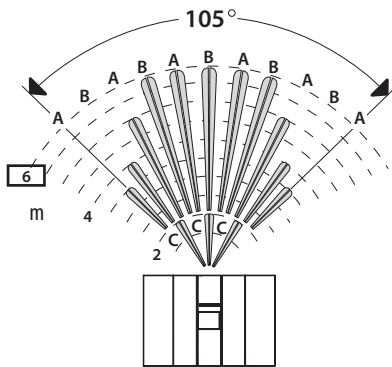
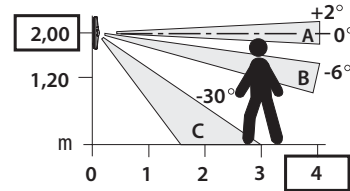
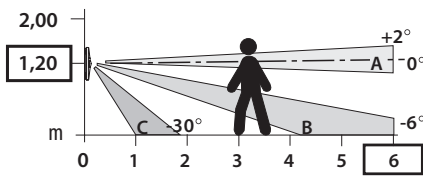
1. Switching off delay adjustment (\*)
2. Twilight adjustment (\*\*)
3. Connection clamps



# 1 M 3-wire passive IR switch

## Volume coverage

A = 6 rays  
B = 5 rays  
C = 3 rays



## Wiring diagrams

