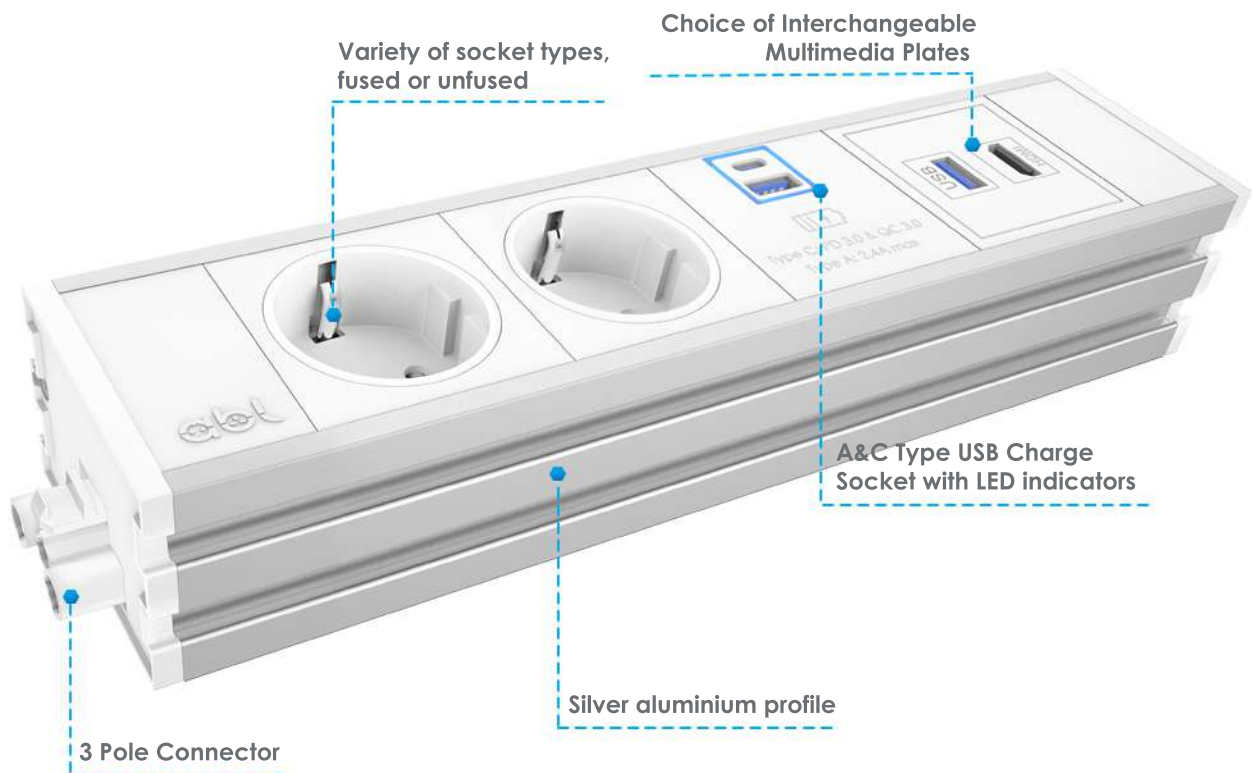


UNDER DESK POWER MODULE LINK

Link is a custom made under desk solution. Completely configurable with the choice of various socket types, USB charge socket and media connections. It is available in Black or White, with Silver profile. The integrated 3 Pole Connector allows daisy chaining with multiple Link modules or other similar devices, up to six sockets max.



FEATURES

- The unit complies with IEC 60884-1:2002 + A1:2006 + A2:2013
- The module is available in Black or White, with Silver aluminium profile
- Completely configurable, available in variations of sockets with USB charge sockets and media connections
- When used with ABL Conference Top Access, it is perfectly suitable for meeting rooms
- It is easily installed and fits perfectly into ABL wire basket. Alternatively secured under the desk



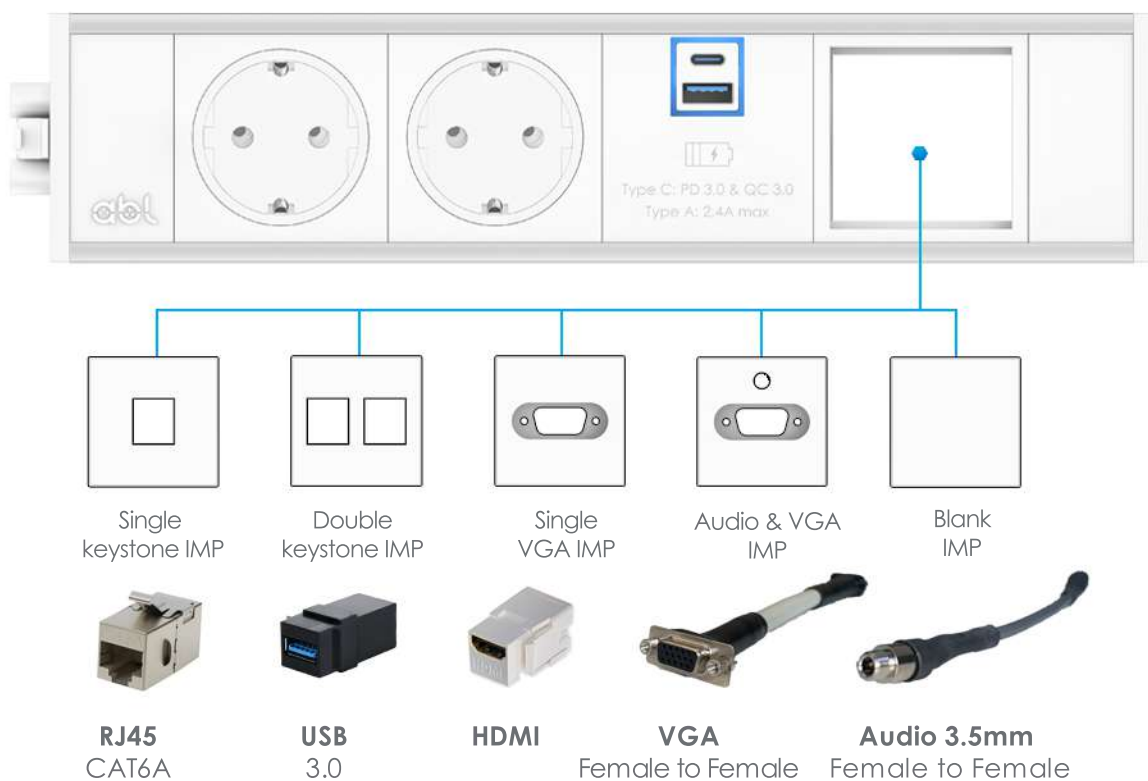
UNDER DESK POWER MODULE LINK

AVAILABLE SOCKET TYPES AND MEDIA CONNECTIONS



INTERCHANGEABLE MULTIMEDIA PLATES

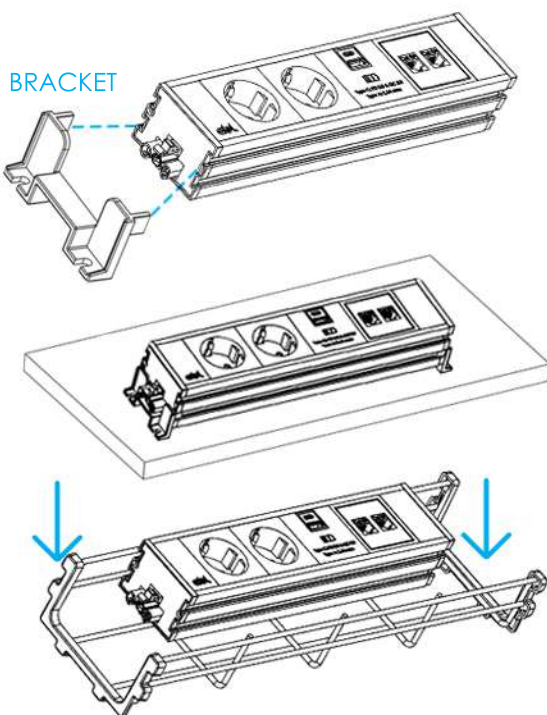
ABL's new and flexible IMP (Interchangeable Multimedia Plate) system allows the end user to choose between various multimedia connections and independently change the configuration within their chosen power module, with ease and according to their preferences.





UNDER DESK POWER MODULE LINK

INSTALLATION INSTRUCTIONS



OPTION 1 - Fix the module onto a flat surface

1. Slide the brackets into the profile indents
2. Fixate using the provided screws according to the designated positions on the brackets

OPTION 2 - Place the module into a wire basket

Simply place the module into the wire basket

DIMENSIONS

*NOTE - The module length depends on the required configuration

