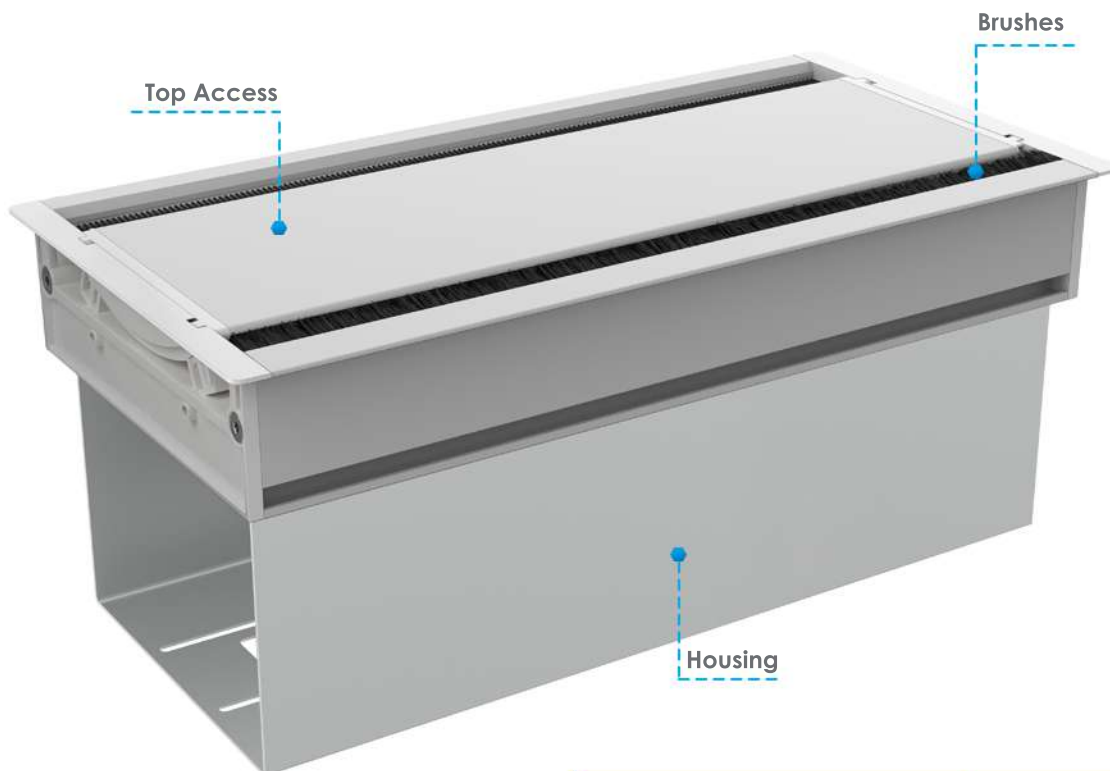


IN DESK TOP ACCESS & HOUSING CONFERENCE MID

Conference Top Access & Housing is a perfect solution for boardrooms and meeting tables when you need to access power and media from both sides. Conference's low profile design allows the lid to close while devices are connected. The brushing system allows the cables to run out smoothly at the same time preventing dust ingress.



TOP ACCESS LENGTH	347mm
CUT OUT DIMENSION	333 x 155mm

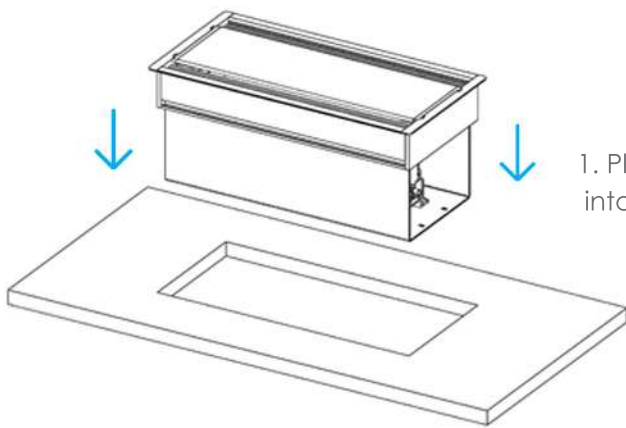
FEATURES

- The accompanying under desk power module, Link, complies with IEC 60884-1:2002 + A1:2006 + A2:2013
- Top Access is available in Silver, Black and White
- It is available in three dimensions - MIN, MID and MAX depending on the configuration

IN DESK TOP ACCESS & HOUSING CONFERENCE MID

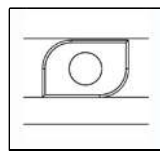
INSTALLATION INSTRUCTIONS

Before making a cut-out, please contact your supplier to provide you with technical drawing stating the suitable table cut-out dimensions. Ensure that there is a sufficient clearance, 150mm below surface and 30 mm between the cut-out edge and the edge of the work surface.

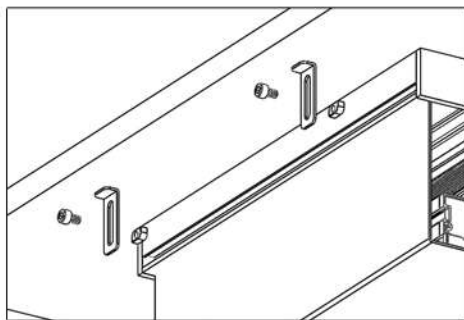
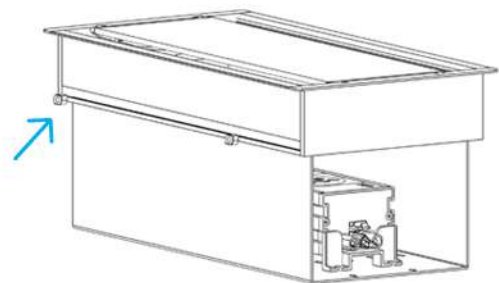


1. Place the Conference into the table cut-out.

2. Place the fixing point into the sliding cannal.

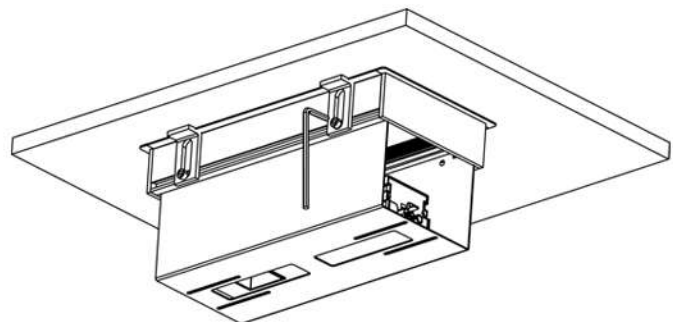


fixing
point



3. Place the L tighteners onto the fixing points.

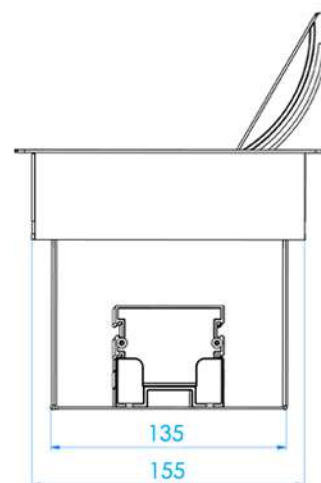
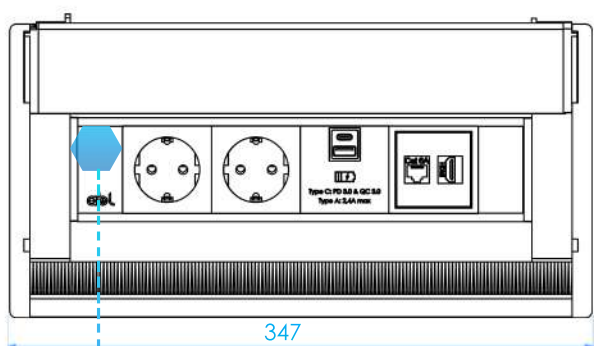
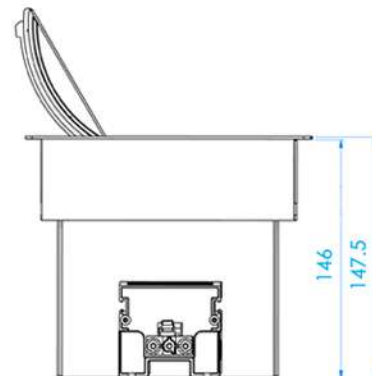
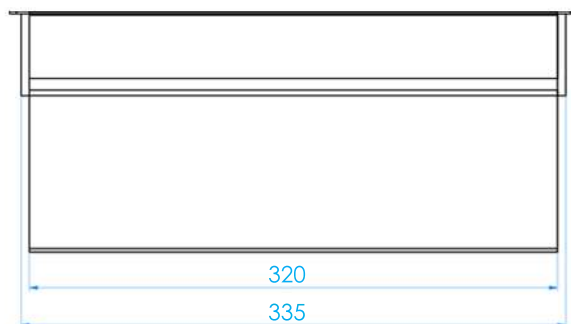
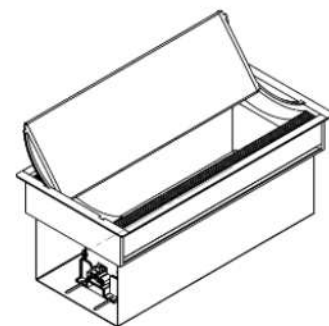
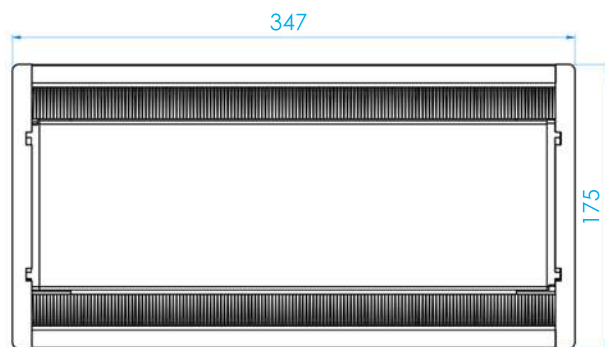
4. Tighten the screws using Allen key.



IN DESK TOP ACCESS & HOUSING CONFERENCE MID

DIMENSIONS

Conference MID with the Link under desk power module inside. Available for up to four sockets or tunnels.



Link Power Module, 2xSchuko Sockets, 1xSC 1xTunnel: 296mm