

Description

Lift control interface with protocol translator to integrate lift function in IP door entry system. The configuration is made using a dedicate software, the interface is connected via RS 485 cable to the entrance panel and the lift.

Related items

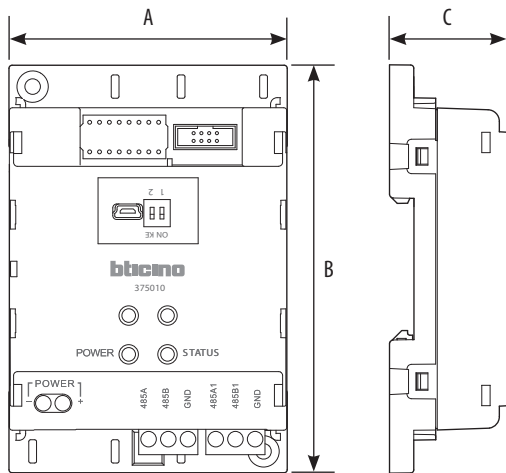
- 374000 IP DES - Video entrance panel with 10" touch display with face recognition and finger print
- 374001 IP DES - Video entrance panel with 4.3" display and keypad with face recognition and fingerprint
- 374002 IP DES - Video entrance panel with 10" touch display
- 374003 IP DES - Video entrance panel with 4.3" display and keypad
- 374005* IP DES - Small video entrance panel with 4.3" touch display

*Can be used only in network mode with a master entrance panel connected to lift control interface via RS485.

Technical data

Voltage: 9 - 24 Vdc
 Maximum consumption: 0.015 A (24V)

Dimensional data



A	B	C
72 mm	105 mm	33 mm

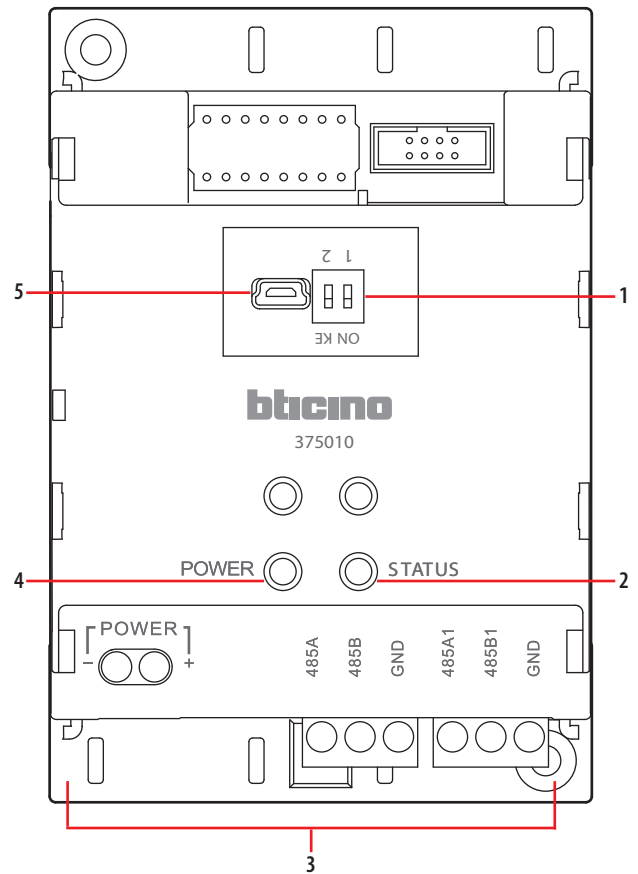
Configuration

The device must be configured by BTicino Lift Configuration software. For software download, installation device documentation and for any other information, refer to the website.



www.homesystems-legrandgroup.com

Front view



Legend

1. Line termination micro-switches
 1-2 = disconnected
 ON-KE = connected
2. Status notification LED:
 Slow flashing = stand-by
 Quick flashing = communication
3. Connection clamp
4. Power supply LED
5. USB Connector (Configuration and Update)

Connection clamp

-		power supply
+		power supply
485A	Control Unit Lift	terminal A
485B		terminal B
GND		system common ground terminal for RS485 connection
485A1	Entrance panel	terminal A
485B1		terminal B
GND		system common ground terminal for RS485 connection

Wiring diagrams

CABLES LEGEND

LAN PoE BTicino —

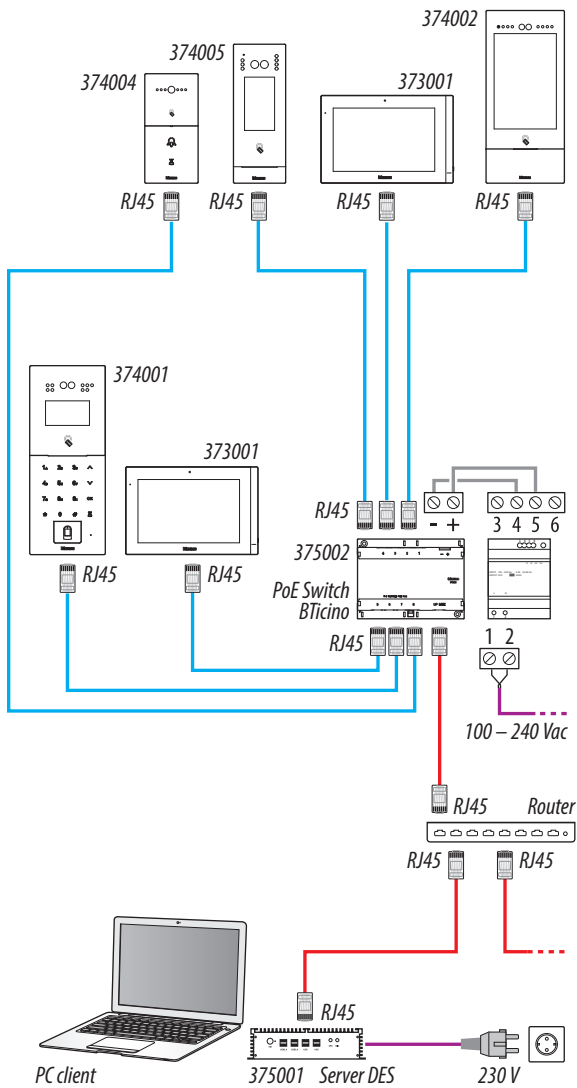
LAN Ethernet —

Copper cables —

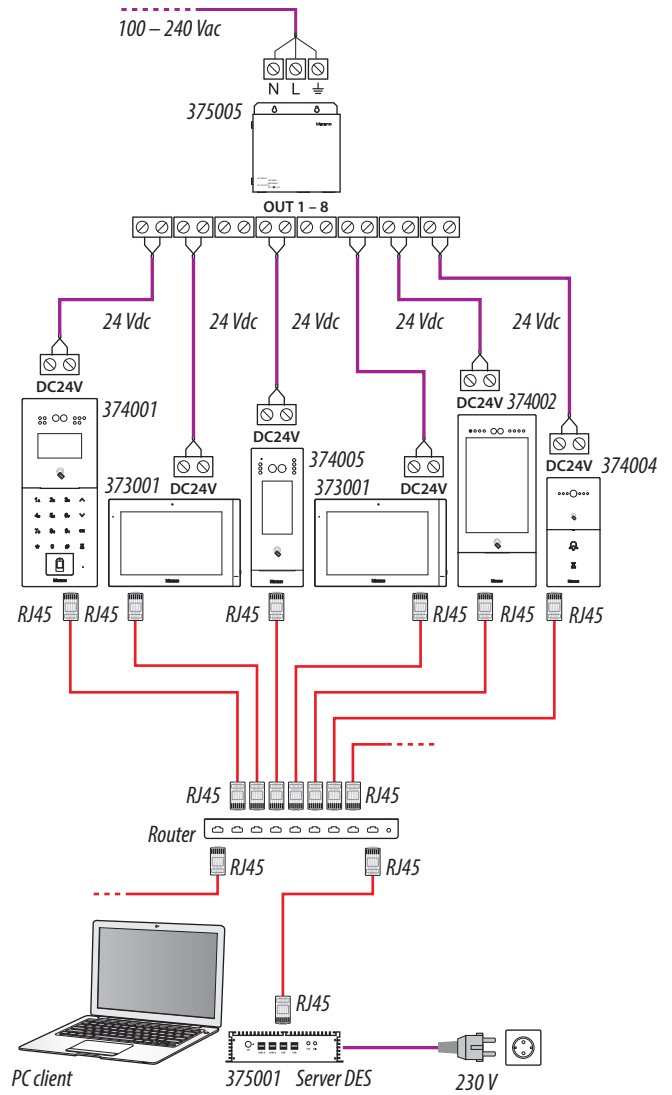
2 x Copper cables —

It is possible to use two different types of connection according to installation situation:

A - Diagram with power supply by BTicino PoE Switch



B - Diagram with local power supply



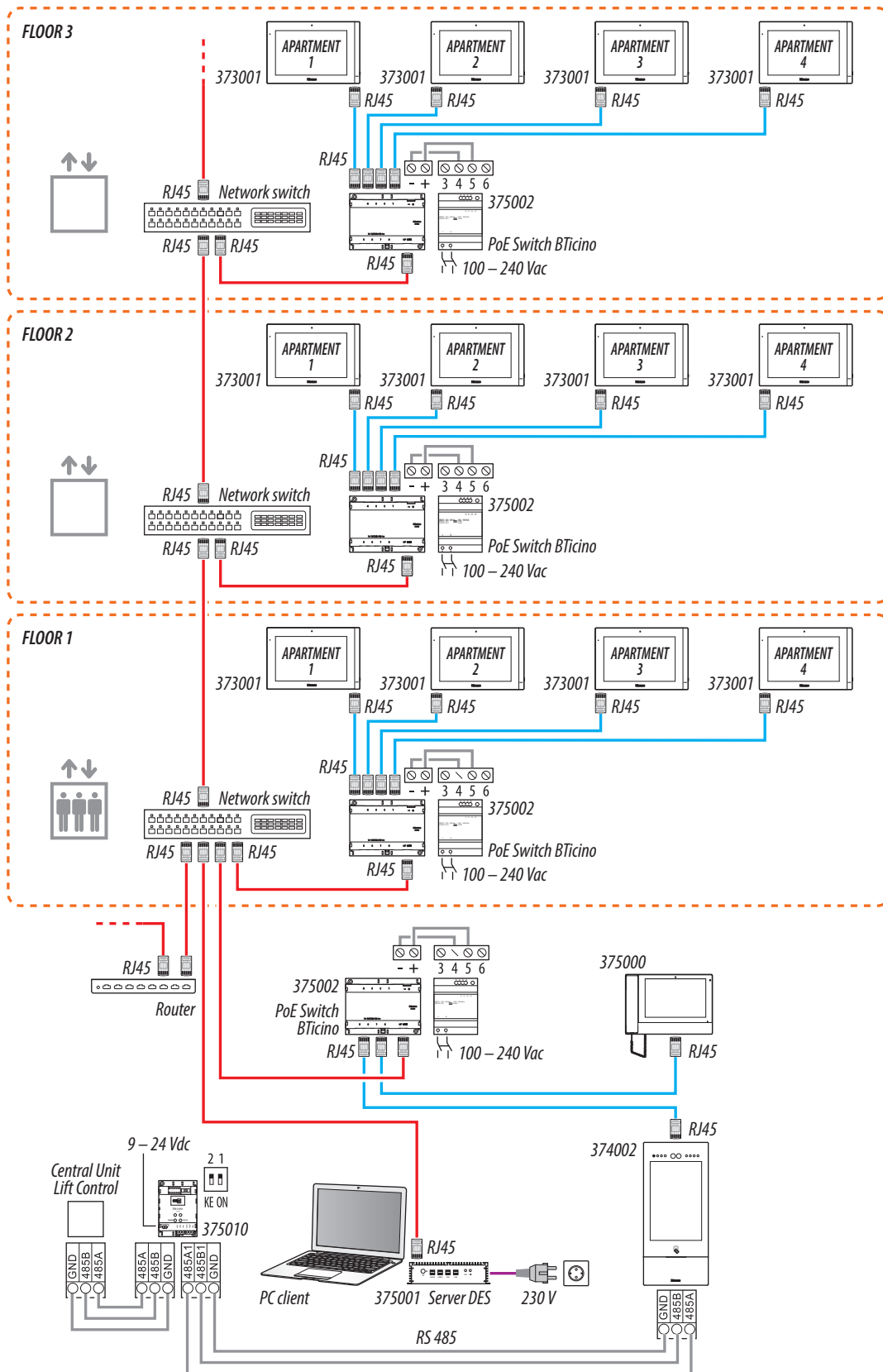
Attention: this device does not support standard POE power supplies, but only POE power supplies identified with 375002. Connect the cat5/5e/6 FTP or cat5/5e/6 UTP cable with ferrite supplied to the connector.

Attention: do not directly connect PoE ports to an unsuitable network interface, such as a device powered by a different voltage. Connect the UP LINK port to a suitable port, never to a PoE port.

Note: maximum length of every LAN permanent link line = 90 m.

Lift control 1 - Lift control, 1 riser, 1 entrance panel

CABLES LEGEND	LAN PoE BTicino	LAN Ethernet	Copper cables	2 x Copper cables

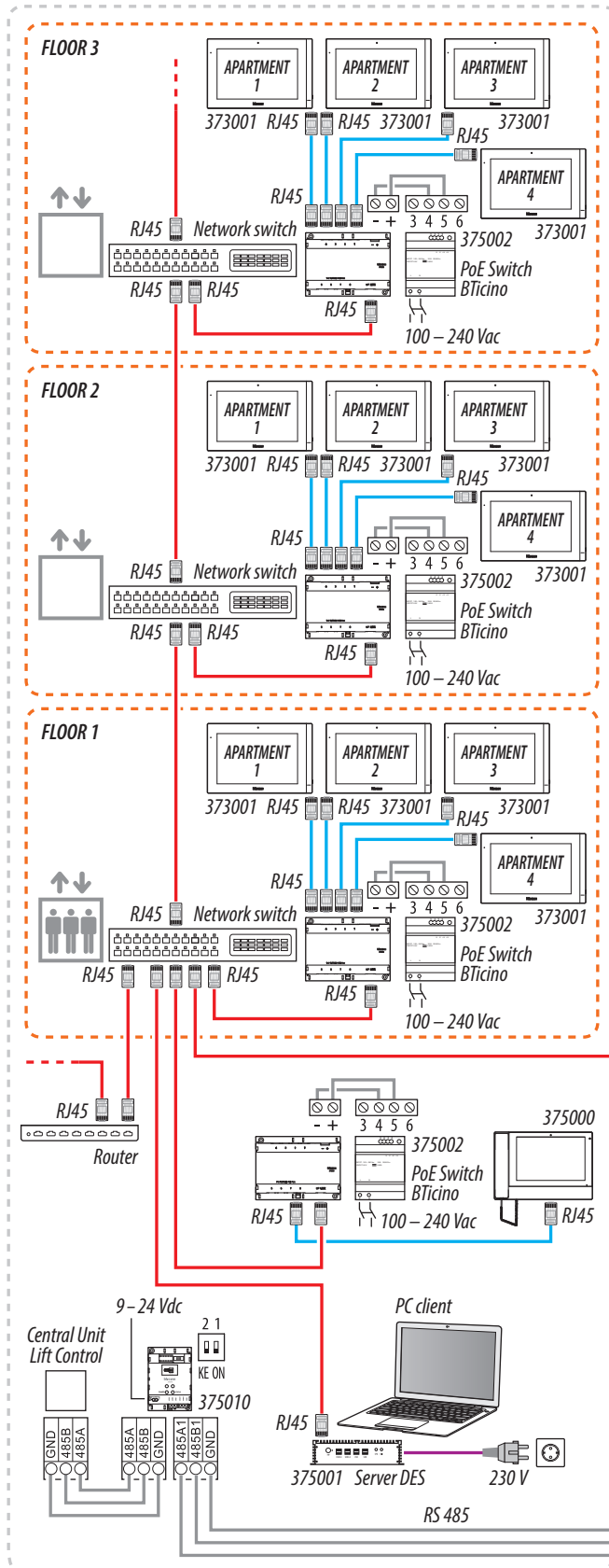


Attention: do not directly connect PoE ports to an unsuitable network interface, such as a device powered by a different voltage. Connect the UP LINK port to a suitable port, never to a PoE port.
Note: to connect the devices it is possible to use both types of wiring (diagram A or diagram B) or even mixed ones.

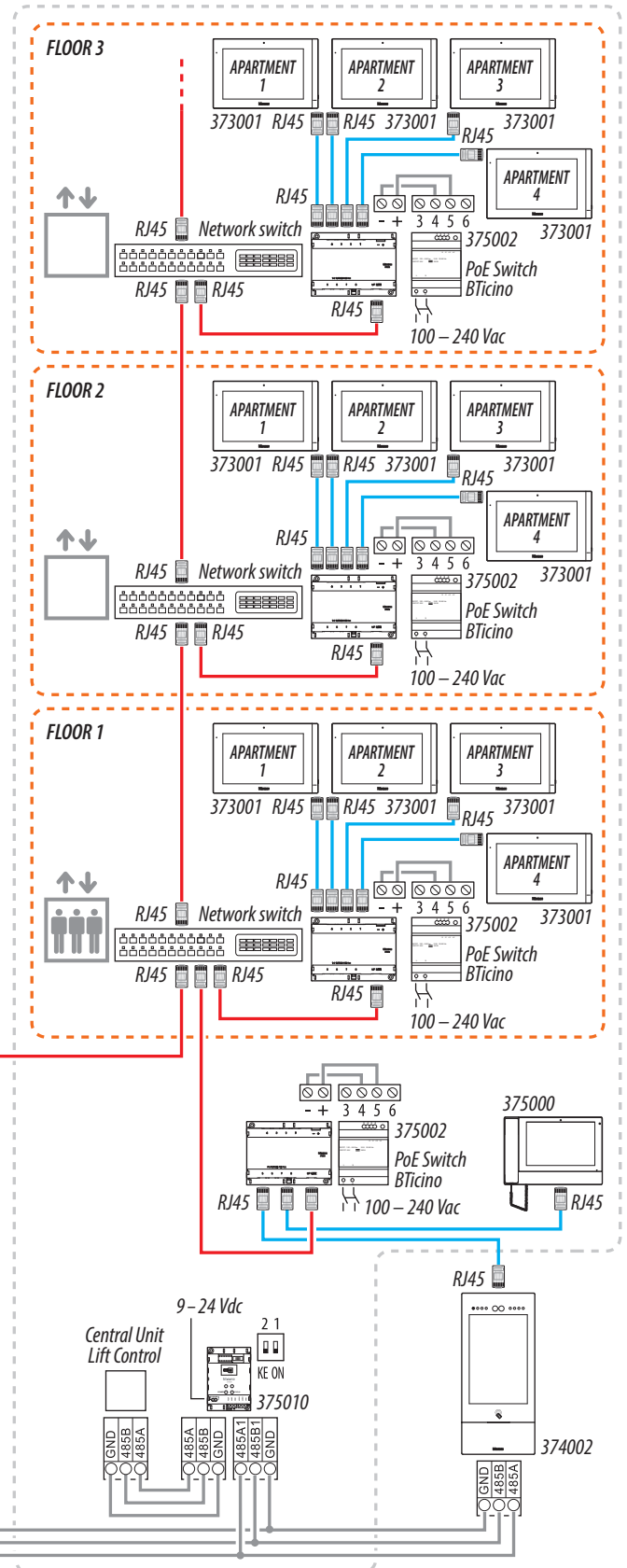
Lift control 2 - Lift control, multi riser, 1 entrance panel

CABLES LEGEND	LAN PoE BTicino	LAN Ethernet	Copper cables	2 x Copper cables
---------------	-----------------	--------------	---------------	-------------------

RISER 1



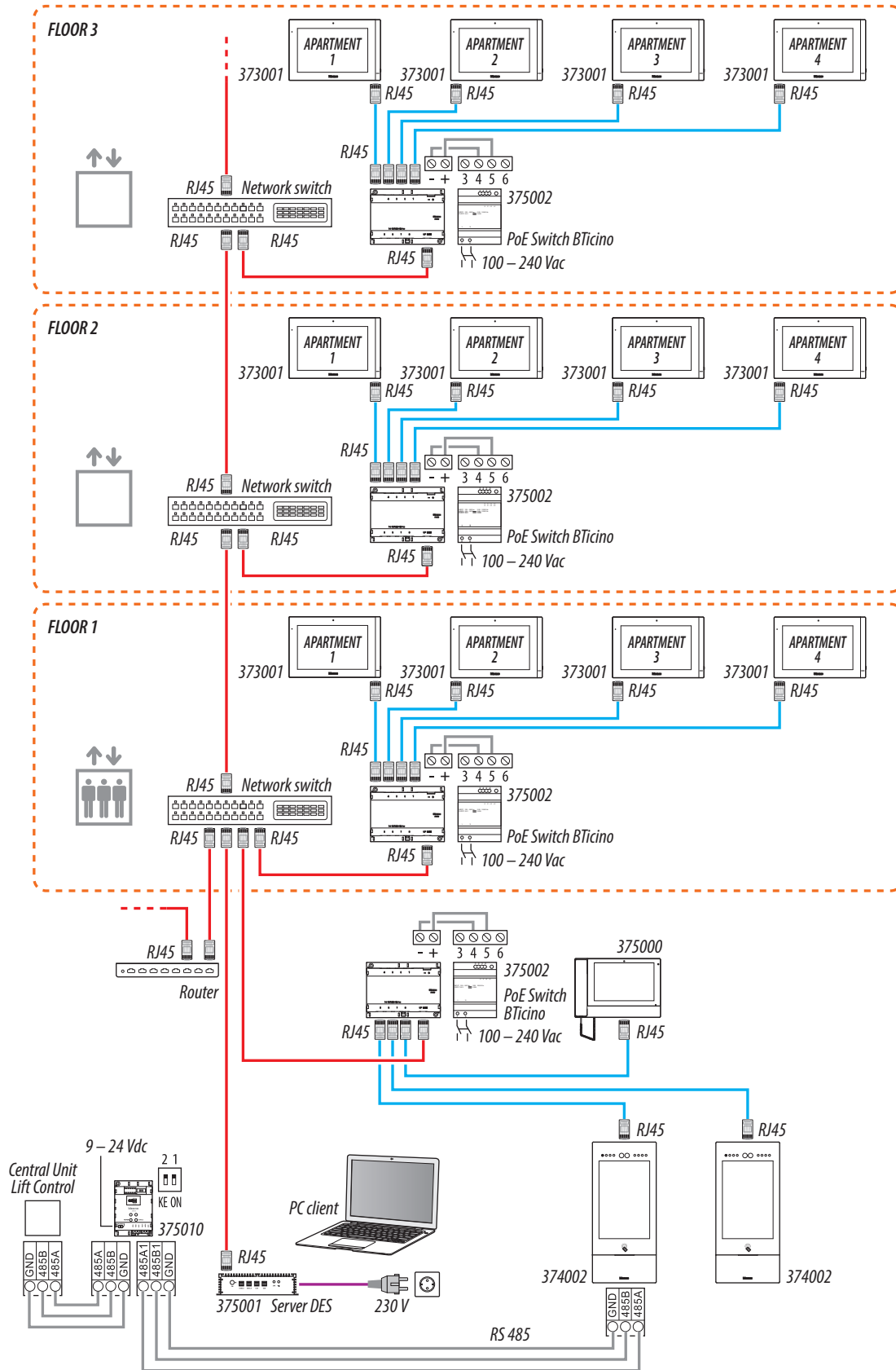
RISER 2



Attention: do not directly connect PoE ports to an unsuitable network interface, such as a device powered by a different voltage. Connect the UP LINK port to a suitable port, never to a PoE port.
Note: to connect the devices it is possible to use both types of wiring (diagram A or diagram B) or even mixed ones.

Lift control 3 - Lift control, 1 riser, multi entrance panel

CABLES LEGEND	LAN PoE BTicino	LAN Ethernet	Copper cables	2 x Copper cables



Attention: do not directly connect PoE ports to an unsuitable network interface, such as a device powered by a different voltage. Connect the UP LINK port to a suitable port, never to a PoE port.
Note: to connect the devices it is possible to use both types of wiring (diagram A or diagram B) or even mixed ones.