

IP DES - 10" touch display indoor unit

373003

Description

10" touch display indoor unit with SOS pushbutton. From the touch display, it is possible to answer the call, open the lock, call the other apartments and the guard station, view call and alarm logs, leave audio messages, receive messages from the guard station, adjust the settings (e.g. brightness, screensaver, backgrounds and ring tone), and view date/time information.

Alarm management can be easily integrated thanks to 8 pre-arranged dedicated contacts.

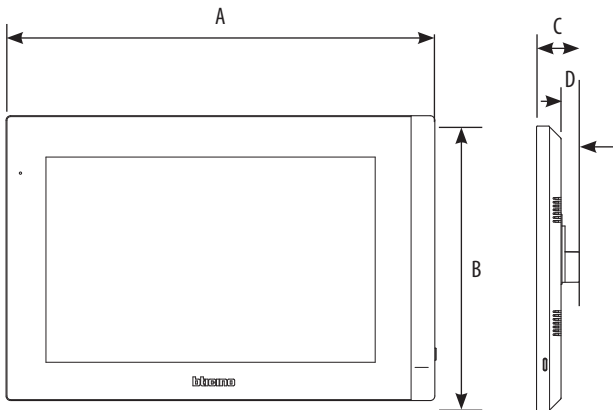
The integration with the CCTV IP cameras allows to view the IP cameras of the apartment and the common area from the indoor unit.

The specific integration also allows control of the lift. The indoor unit can be PoE (power over Ethernet) powered, or directly powered using power supply 375005. Wall mounted using the supplied bracket.

Technical data

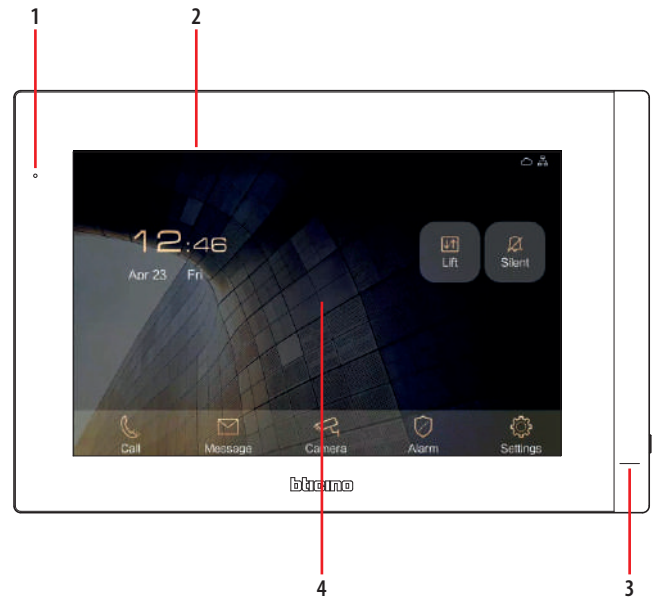
Voltage: 24 Vdc
 Maximum consumption: 0.45 A
 Max. cable section for clamps: 0.8 mm²
 Operating temperature: (- 10) – (+ 55) °C
 IP degree of protection: IP30
 Maximum relative humidity: 93%

Dimensional data

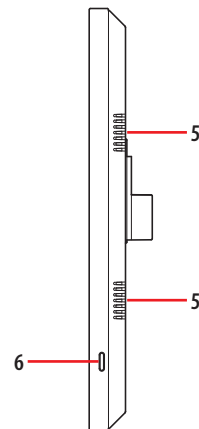


A	B	C	D
280 mm	186 mm	28 mm	16 mm

Front view



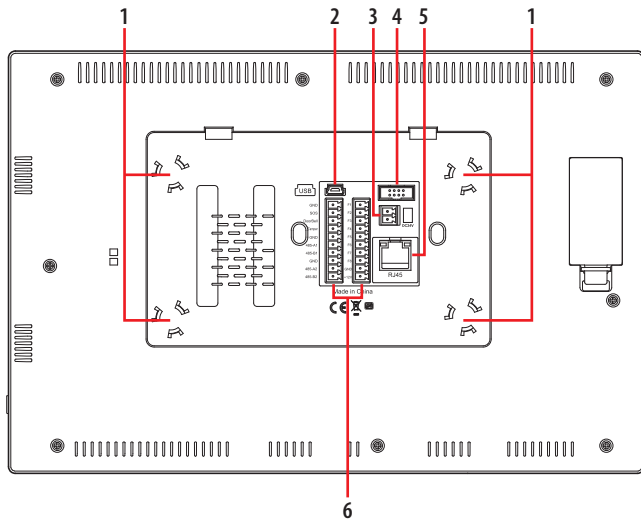
Side view



Legend

1. Microphone
2. Display 10" (touch screen)
3. Notification LED
LED flashing= notification of a message
4. HomePage
5. Loudspeaker
6. SOS push button

Rear view

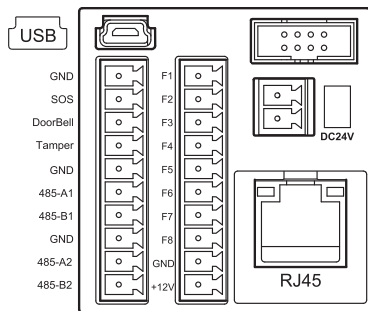


All contacts must be connected to GND and the corresponding dedicated input. The functions and wiring mode of the inputs are set by default as shown in the table and diagram, they can be customized using the software and/or straight from the device. Tamper and Doorbell input are not customizable and SOS-GND is disable by default.

Legend

- 1. Fixing magnets for bracket
- 2. USB Connector (not used)
- 3. Additional power supply clamps (not polarized)
- 4. Not used
- 5. RJ45 Connector *
- 6. Connection clamp

* This device does not support standard POE power supplies, but only POE power supplies identified with 375002. Connect the cat5/5e/6 FTP or cat5/5e/6 UTP cable with ferrite supplied to the connector.



Connection clamps

SOS – GND	Additional SOS call	F1 – GND	Infrared
DoorBell – GND	Door bell call	F2 – GND	Magnetic contact
Tamper – GND	Tamper	F3 – GND	Smoke sensor
GND		F4 – GND	Gas sensor
485-A1		F5 – GND	Water sensor
485-B1	future use	F6 – GND	Magnetic contact
GND		F7 – GND	Magnetic contact
485-A2		F8 – GND	SOS
485-B2		+12V – GND	12Vdc, maximum 150 mA sensor power supply

Configuration

To use the device, it is necessary to configure it and create the Community structure using the DES Server software, following the steps below:

- Step 01 Community VLAN network creation
- Step 02 Community structure definition
- Step 03 Community structure creation
- Step 04 Device MAC address registration
- Step 05 Forwarding of the phonebook to the Server DES
- Step 06 Installation of the devices
- Step 07 Activation of the devices
- Step 08 System test

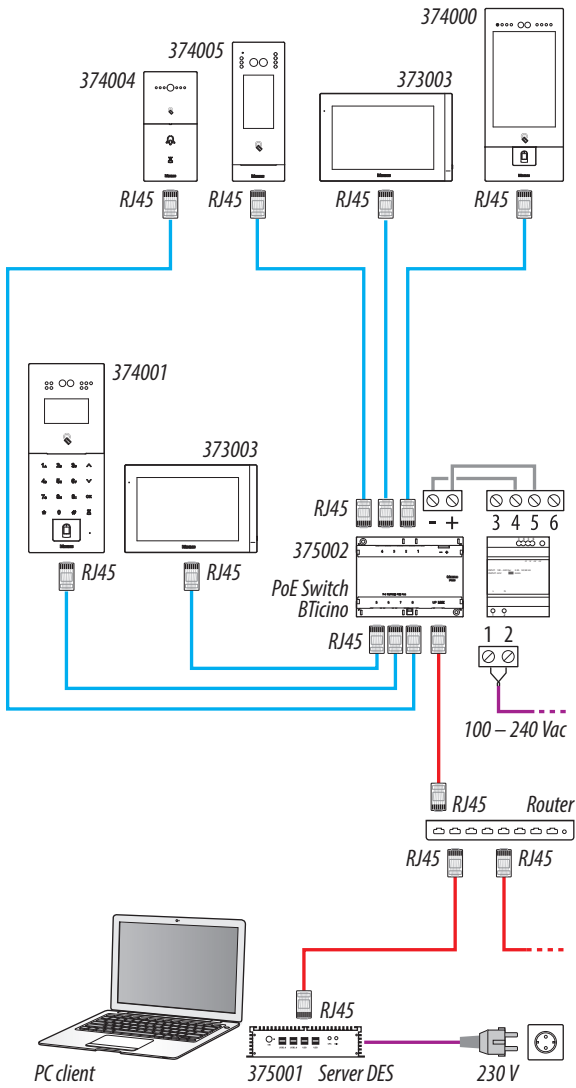
For further information, please refer to the Server DES Software Manual, available for download from www.homesystems-legrandgroup.com website.

Wiring diagrams

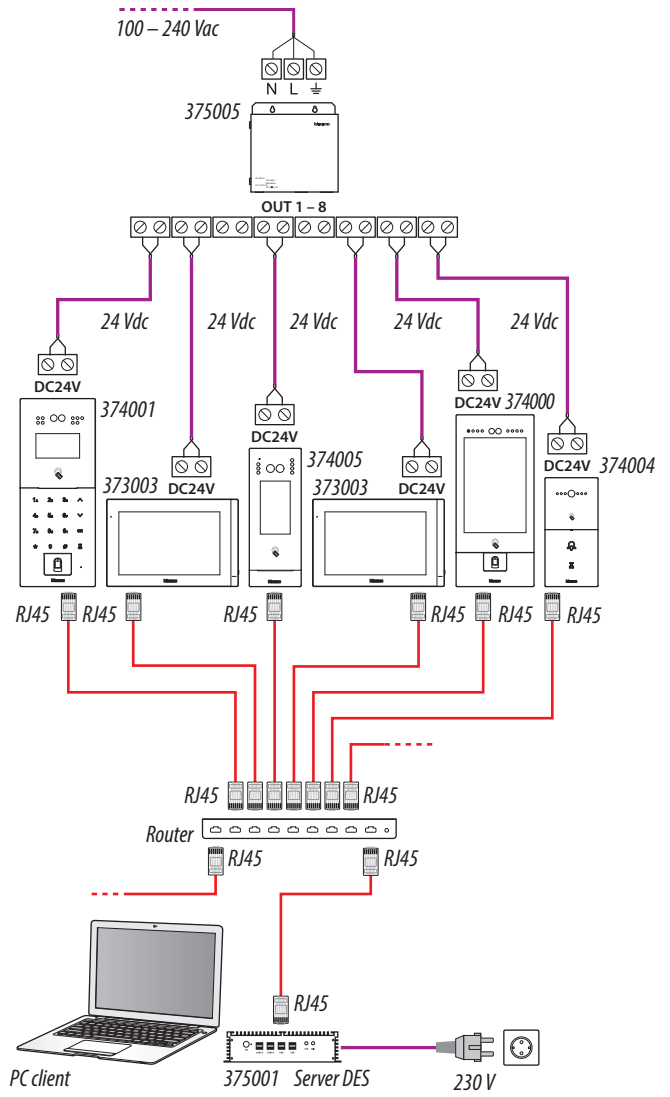
CABLES LEGEND	LAN PoE BTicino	LAN Ethernet	Copper cables	2 x Copper cables
---------------	-----------------	--------------	---------------	-------------------

It is possible to use two different types of connection according to installation situation:

A - Diagram with power supply by BTicino PoE Switch



B - Diagram with local power supply

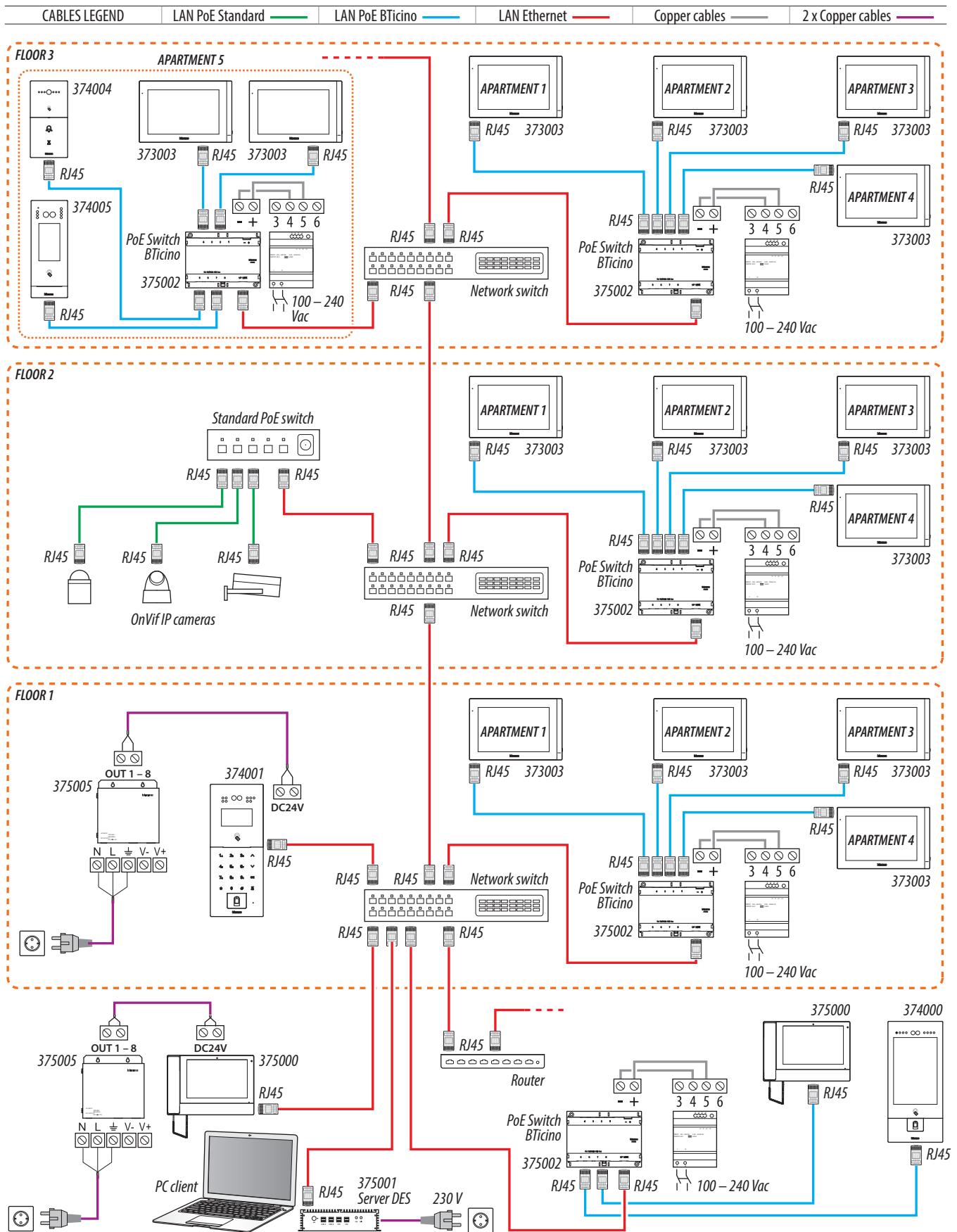


Attention: this device does not support standard POE power supplies, but only POE power supplies identified with 375002. Connect the cat5/5e/6 FTP or cat5/5e/6 UTP cable with ferrite supplied to the connector.

Attention: do not directly connect PoE ports to an unsuitable network interface, such as a device powered by a different voltage. Connect the UP LINK port to a suitable port, never to a PoE port.

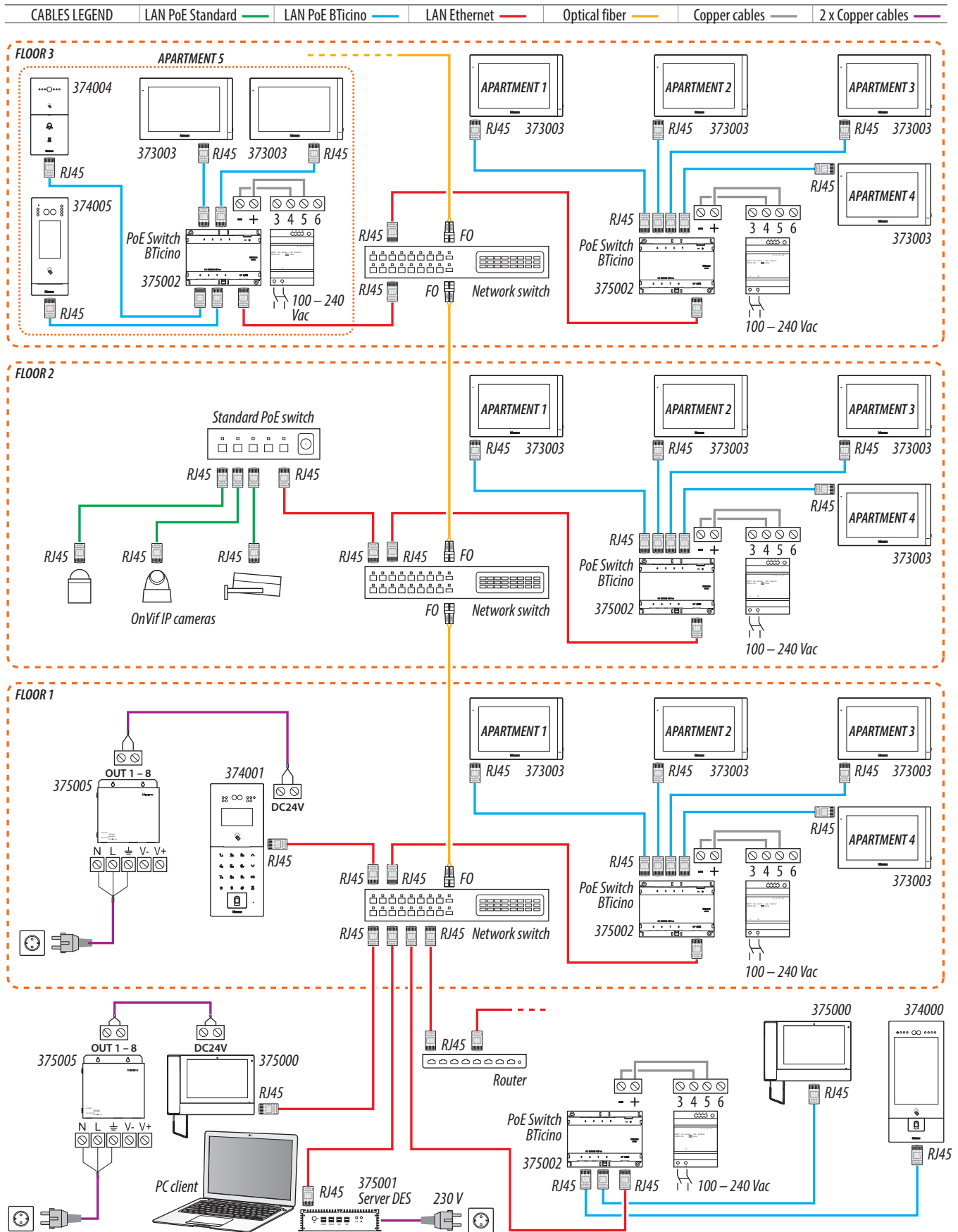
Note: maximum length of every LAN permanent link line = 90 m.

Ethernet connection



Attention: do not directly connect PoE ports to an unsuitable network interface, such as a device powered by a different voltage. Connect the UP LINK port to a suitable port, never to a PoE port.
Note: to connect the devices it is possible to use both types of wiring (diagram A or diagram B) or even mixed ones.

Fiber optic riser connection (case of higher bandwidth demand)

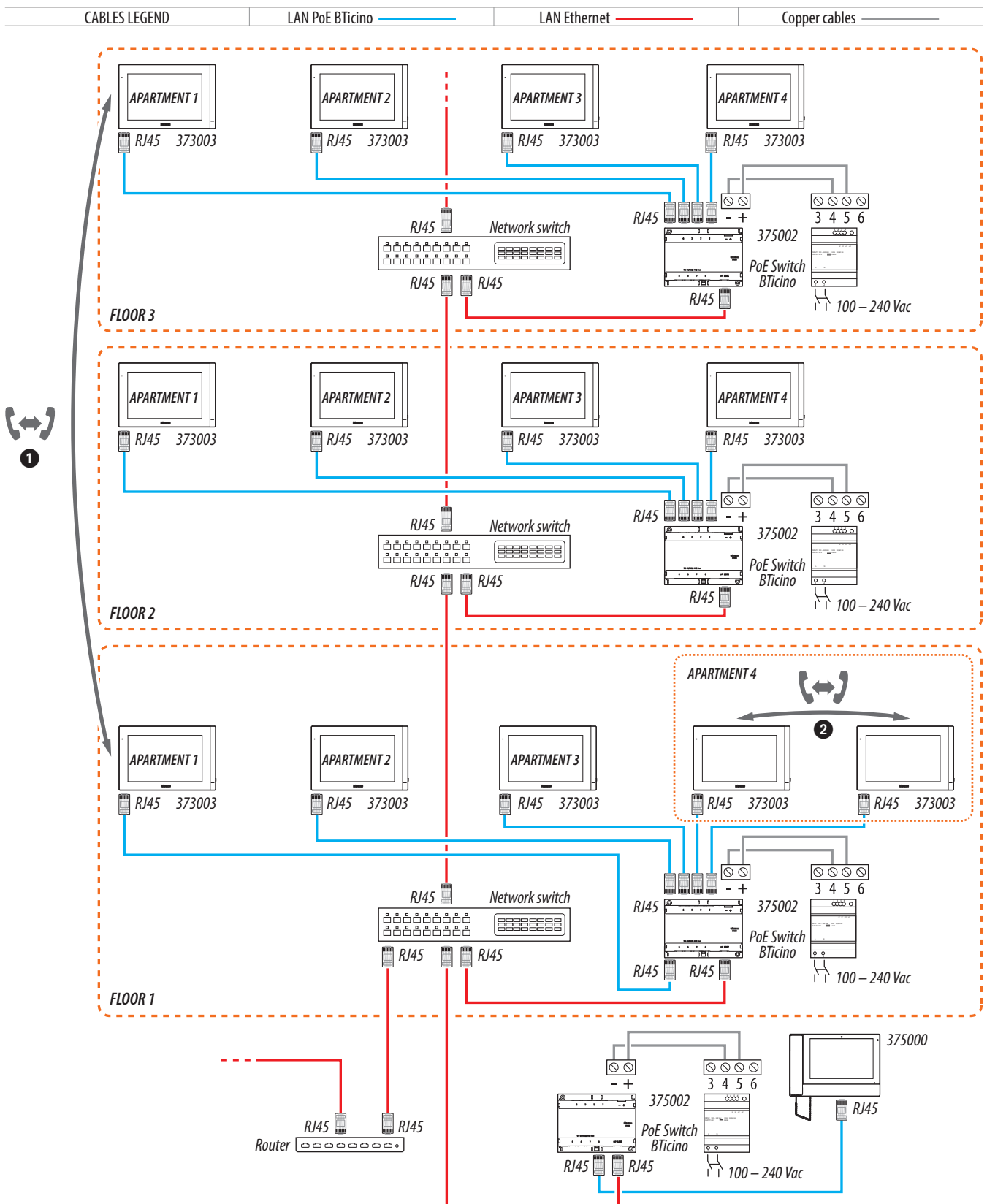


Attention: do not directly connect PoE ports to an unsuitable network interface, such as a device powered by a different voltage. Connect the UP LINK port to a suitable port, never to a PoE port.
Note: to connect the devices it is possible to use both types of wiring (diagram A or diagram B) or even mixed ones.

Intercom function

Audio intercom between internal unit:

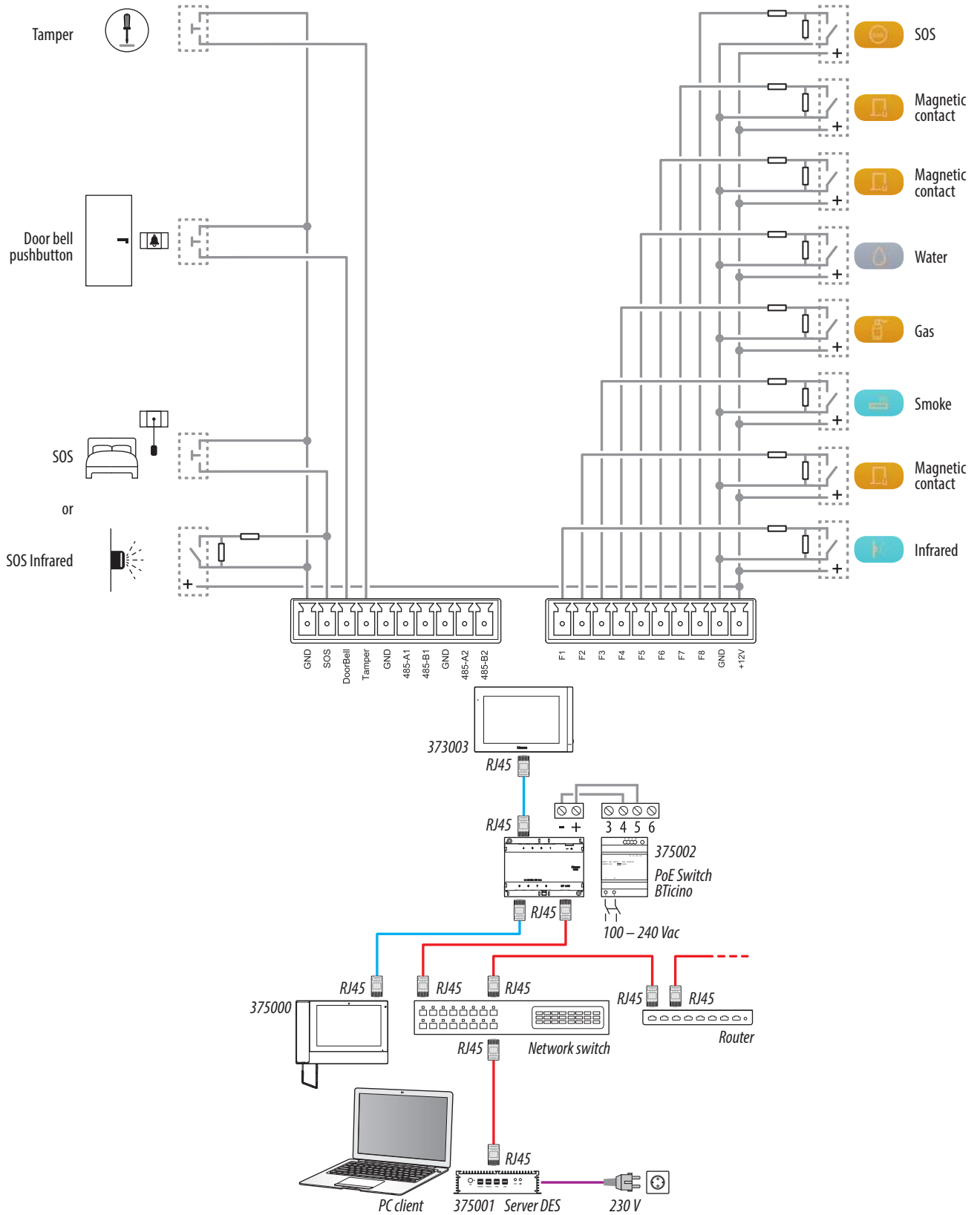
- ① - of different apartments (same building or different building)
- ② - inside the same apartment.



Attention: do not directly connect PoE ports to an unsuitable network interface, such as a device powered by a different voltage. Connect the UP LINK port to a suitable port, never to a PoE port.
Note: to connect the devices it is possible to use both types of wiring (diagram A or diagram B) or even mixed ones.

Available functions

CABLES LEGEND	LAN PoE BTicino	LAN Ethernet	Copper cables	2 x Copper cables
---------------	-----------------	--------------	---------------	-------------------



Attention: do not directly connect PoE ports to an unsuitable network interface, such as a device powered by a different voltage. Connect the UP LINK port to a suitable port, never to a PoE port.

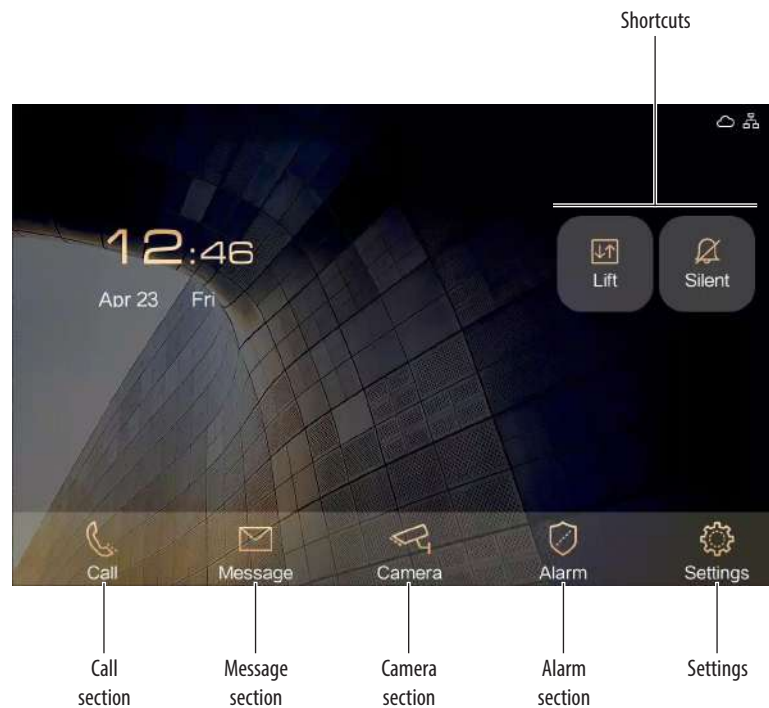
Note: the alarm functions are the default ones. It is possible to modify them in the appropriate section.

Note: Use the supplied resistors (560 Ohm ±5%, 1/4 W).

Note: to connect the devices it is possible to use both types of wiring (diagram A or diagram B) or even mixed ones.

Main functions

From the Home Page of the device, it is possible to access the main functions, as described below:



Call

In Call section is possible to see call history with details, make call to other residents and guard station, save favorite contacts.

Message

In Message section is possible to display messages with text, pictures and video sent from facility manager (advertising, community and emergency messages), check answering machine audio message with snapshot left by visitor and audio messages left by other resident of the apartment on the indoor unit (family message), access history.

Auto-switching on Function

The Auto-switching on function allows the management of the direct automatic switching on of the entrance panel and the display of the CCTV cameras of the common areas and the individual apartment.

Alarm Function

The Alarms function allows the management of the alarms from sensors connected to terminals F1 to F8, such as infrared sensor, gas sensor, SOS sensor, leak sensor, and so on.

Lift control

From shortcut it is possible to call the lift from the indoor unit.
This function requires the lift control integration made with 375010 protocol transaltor interface.