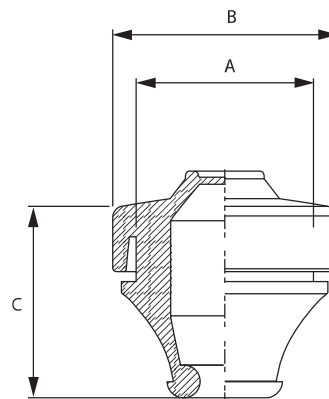


Single grommets T-VET route cables and tubing for low and medium power currents. They are suitable for indoor and outdoor use and fit PG openings. The T-VET model features a double seal design, allowing it to be used as a plug.

Technical specifications

- IP67 total protection against ingress of dust and protection against the effects of immersion between 15,0 cm and 1,0 m
- Made of TPE material
- Flame resistant UL 94 V-0 (look at product table)
- Plate wall thickness between 1 - 4 mm.
- Available for cables with 3 to 35 mm diameter
- Operating temperature from -40 °C to +100 °C



Order code	Type	Cable diameter (mm)	Color	Shade	Classification	Dimensions (mm)			Weight (g)	Package (pcs)
						A	B	C		
MBB0105G11	PG7	3 - 5	Grey ●	RAL 7042	UL 94 V-0	13	20	17	2,7	50
MBB0105X11	PG7		Grey ●	RAL 7035					3,4	
MBB0105B11	PG7		Black ●						UL 94 V-0, oil resistant	
MBB0107G11	PG9	5 - 7	Grey ●	RAL 7042	UL 94 V-0	16	20	19	3,1	50
MBB0107X11	PG9		Grey ●	RAL 7035					3,5	
MBB0107B11	PG9		Black ●						UL 94 V-0, oil resistant	
MBB0110G11	PG11	7 - 10	Grey ●	RAL 7042	UL 94 V-0	19	24	21	4,3	50
MBB0110X11	PG11		Grey ●	RAL 7035					5	
MBB0110B11	PG11		Black ●						UL 94 V-0, oil resistant	
MBB0114G11	PG16	10 - 14	Grey ●	RAL 7042	UL 94 V-0	23	29	23	6,7	50
MBB0114X11	PG16		Grey ●	RAL 7035					7,8	
MBB0114B11	PG16		Black ●						UL 94 V-0, oil resistant	
MBB0120G11	PG21	14 - 20	Grey ●	RAL 7042	UL 94 V-0	29	34	26	8	25
MBB0120X11	PG21		Grey ●	RAL 7035					9,2	
MBB0120B11	PG21		Black ●						UL 94 V-0, oil resistant	
MBB0126G11	PG29	20 - 26	Grey ●	RAL 7042	UL 94 V-0	38	46	30	15	25
MBB0126X11	PG29		Grey ●	RAL 7035					17,4	
MBB0126B11	PG29		Black ●						UL 94 V-0, oil resistant	
MBB0135G11	PG36	26 - 35	Grey ●	RAL 7042	UL 94 V-0	48	57,5	33	25	10
MBB0135X11	PG36		Grey ●	RAL 7035					28	
MBB0135B11	PG36		Black ●						UL 94 V-0, oil resistant	

Look more about materials at Comparison of materials on page 148.