

# *Universal connectors OTH*

Bimetal

**(Al/Cu)**

Up to

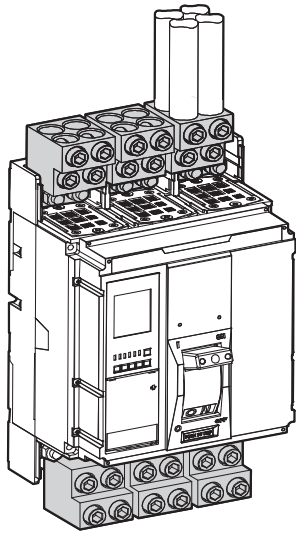
**3x300 mm<sup>2</sup>**



OTH universal connectors directly connect copper and aluminium wires to switchgear devices, allowing for the connection of two, three, or four wires up to 300 mm<sup>2</sup> without cable lugs. Their compact and economical design features easy installation and a small size.



OTH 240-4

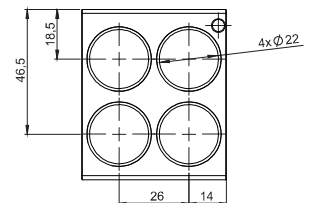
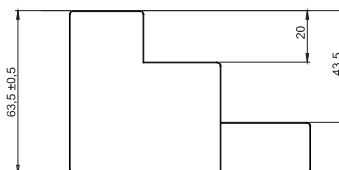
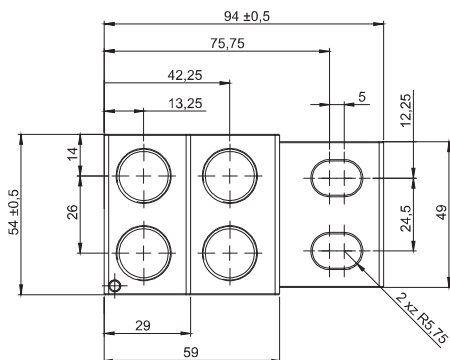


	MAC4240A15
<b>Technical data</b>	
Conductor cross-section Cu, Al (mm <sup>2</sup> )	4 x 50 - 240 + 1 x 1,5 - 4
Nominal voltage (V)	1000
Nominal current (A)	1600
Width / Height / Length (mm)	54 / 63,5 / 94
Number of mounting holes	2
Diameter connecting hole (mm)	11,5
Screw, hexagonal key	No. 10
The length of the uninsulated conductor (mm)	25 / 55
Tightening torque (Nm)	45
Weight (g)	410
Package (pcs)	2

**Compatibility**

ABB Emax E 1.2 F up to 1600A, Tmax T7 F up to 1600A	Yes
ABB Tmax T6 F up to 1000A, Tmax T5 (XT5) up to 630A	No
Schneider NS630b up to 1600A	Yes
Schneider NSX400-630	No
Eaton NZML4-VE1250, NZM4-XKA up to 1250	Yes
Eaton NZMS2-4-VE250, NZMH3-4-VE630	No
Siemens 3VA66 1000A, 3VA271 1250-1600A	Yes
Siemens 3VA5 630A	No
LS TS630, TS800	No
Chint NM8N-1600A	Yes
Chint NM8N up to 630A	No

**Dimensions**





OTH 300-2



OTH 300-3



OTH 301-3

	MAC2300A14	MAC3300A14	MAC3301A14
--	------------	------------	------------

**Technical data**

Conductor cross-section Cu, Al (mm <sup>2</sup> )	2 x 70 – 300 + 1 x 1,5 – 4	3 x 70 – 300 + 1 x 1,5 – 4	3 x 70 - 300 + 1 x 1,5 - 4
Nominal voltage (V)	1000	1000	1000
Nominal current (A)	800	1250	1250
Width / Height / Length (mm)	30 / 63,5 / 94	54 / 63,5 / 94	54 / 63,5 / 94
Number of mounting holes	1	2	1
Diameter connecting hole (mm)	12,5	11,5	11,5
Screw, hexagonal key	No. 10	No. 10	No. 10
The length of the uninsulated conductor (mm)	27 / 56	27 / 56	27 / 56
Tightening torque (Nm)	45	45	45
Weight (g)	213	406	410
Package (pcs)	3	2	2

**Compatibility**

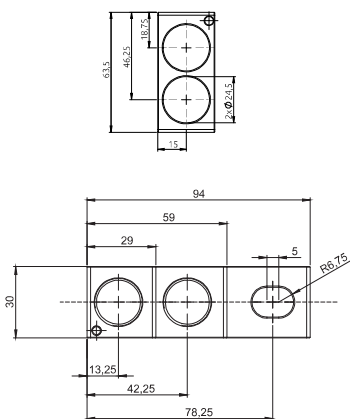
ABB Emax E 1.2 F up to 1600A, Tmax T7 F up to 1600A	No	Yes	* Please contact the sales manager for more information.
ABB Tmax T6 F up to 1000A, Tmax T5 (XT5) up to 630A	Yes	No	
Schneider NS630b up to 1600A	No	Yes	
Schneider NSX400-630	Yes	No	
Eaton NZML4-VE1250, NZM4-XKA up to 1250	No	Yes	
Eaton NZMS2-4-VE250, NZMH3-4-VE630	Yes	No	
Siemens 3VA66 1000A, 3VA271 1250-1600A	No	Yes	
Siemens 3VA5 630A	Yes	No	
LS TS630, TS800	Yes	No	
Chint NM8N-1600A	No	Yes	
Chint NM8N up to 630A	Yes	No	

Contact us if you have further questions about compatibility!

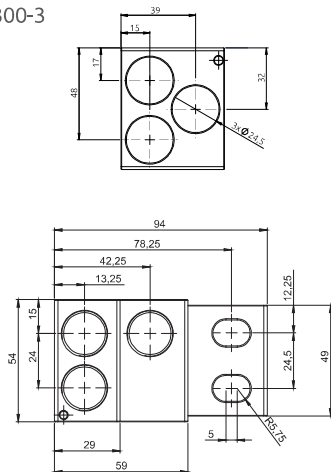
**NB!** In order to use 300 mm<sup>2</sup> cables with OTH300 connectors, you need to use shorter screws. Please notify us about it during the purchase and we will supply the screws with your order.

**Dimensions**

OTH 300-2



OTH 300-3



OTH 301-3

