

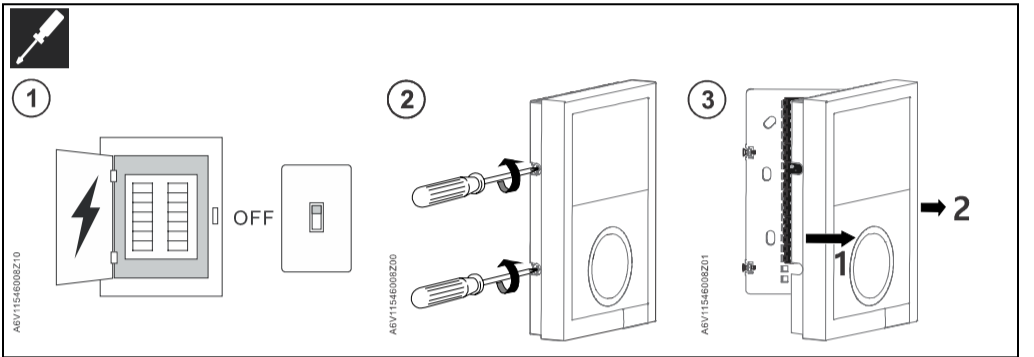
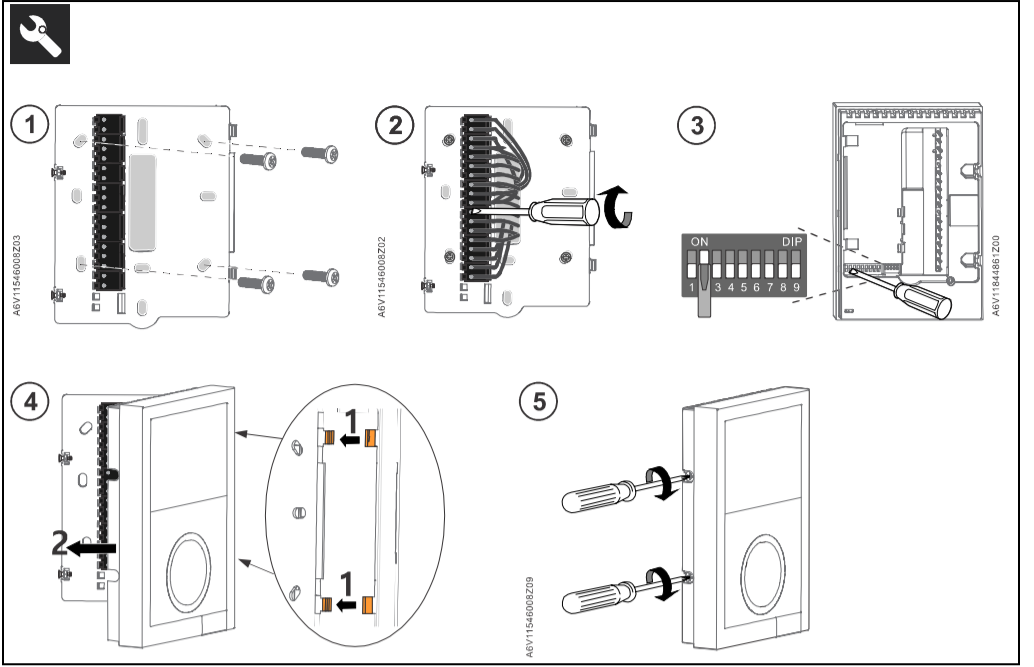


RDG260KN



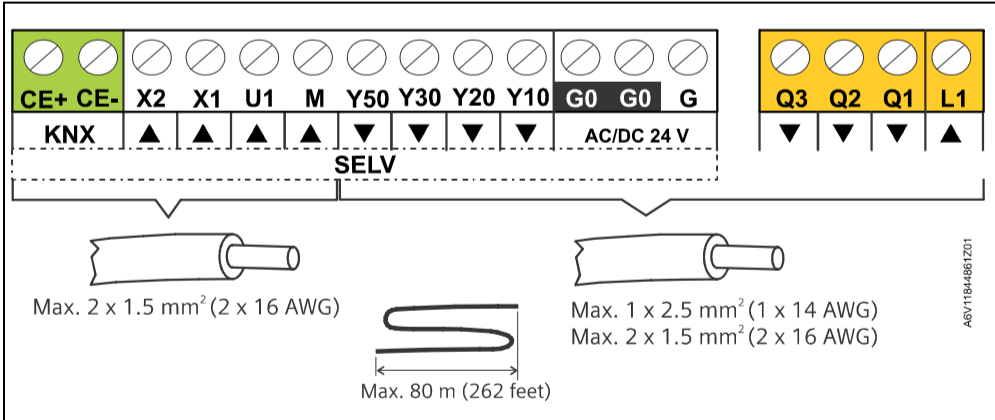
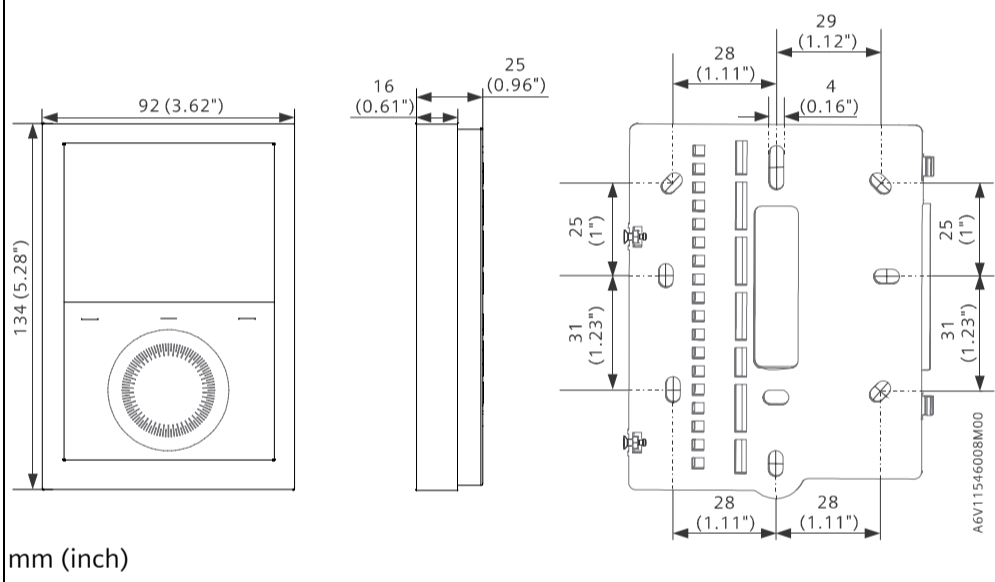
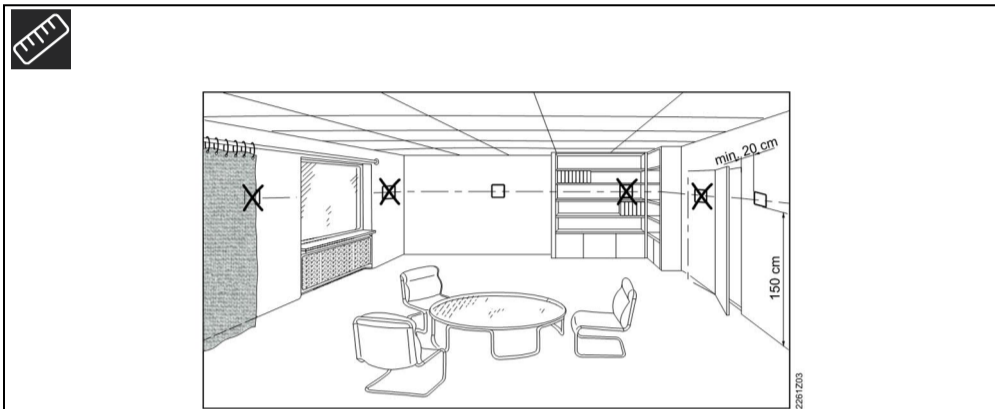
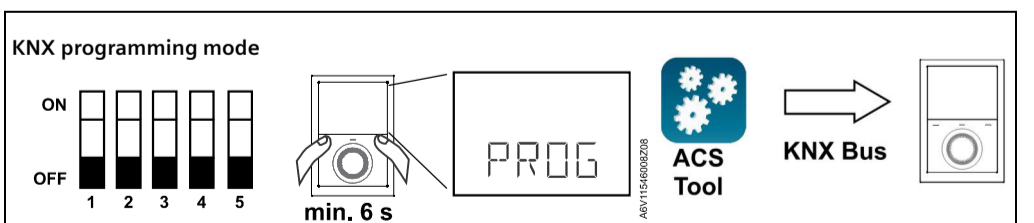
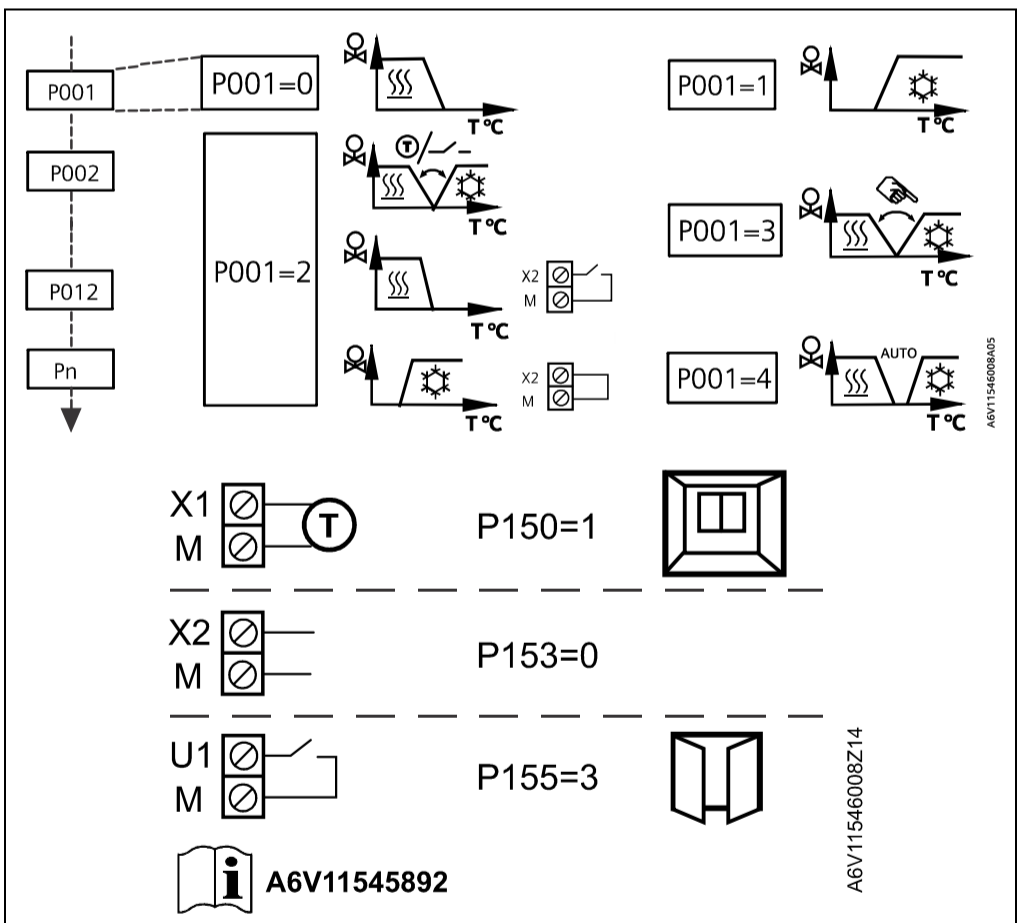
Basic documentation and parameters
A6V11545892

- en Mounting instructions
- de Montageanleitung
- es Instrucciones de montaje
- fr Instructions de montage
- it Istruzioni di montaggio
- tr Montaj talimatları



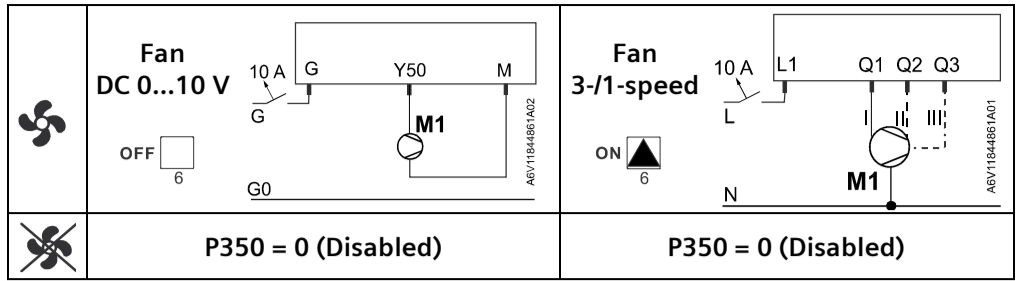
- Documents
- Parameters P001...Pn
- Humidity (r.h.)
- KNX S-mode
- ...

www.siemens.com/HIT



DIP's: ON = OFF =
 DIP No.: 1...8 DIP No.: 1...8

L-N (AC 230 V) ⇒ Q1, Q2, Q3 – N L = G (AC/DC 24 V) ⇒ Q1, Q2, Q3 – G0



Application	V1	Outputs	
		DC	On/Off
① 2-pipe 			

Application	V1	V2	Outputs			
			DC	DC	On/Off	On/Off
② 2-pipe with electric heater 						
③ 2-pipe with radiator 						
④ 4-pipe 						
⑤ 2-pipe/2-stage 						

Application	V1	V2	V3	Outputs		
				DC	DC	On/Off
⑥ 4-pipe with electric heater 						

Application	V1	V2	Outputs	
			DC (PICV)	On/Off
⑧ 4-pipe with 6-port ball valve 		-		
⑨ 4-pipe with 6-port ball valve as changeover and PICV 				

	en	de	es	fr	it	tr
①	2-pipe fan coil	2-Rohr Ventilator-konvektor	Fancoil a dos tubos	Ventiloconvecteur 2 tubes	Fan coil 2 tubi	2 borulu fan coil
②	2-pipe with electric heater	2-Rohranwendung & Elektroheizung	2 tubos & batería eléctrica	Application 2 tubes & batterie électrique	Fan coil 2 tubi con batteria elettrica	2 borulu & elk. ısıtıcı
③	2-pipe with radiator	2-Rohranwendung & Radiator	2 tubos & radiador	Application 2 tubes & radiateur	Fan coil 2 tubi e radiatore	2 borulu & radyatör
④	4-pipe fan coil	4-Rohr Ventilator-konvektor	Fancoil a 4 tubos	Ventiloconvecteur 4 tubes	Fan coil 4 tubi	4 borulu fan coil
⑤	2-pipe/2-stage	2-Rohr/2-stufig	2 tubos/2 etapas	2 tubes/2 étages	2-tubi / 2-stadi	2-borulu/2-kademe
⑥	4-pipe with electric heater	4-Rohranwendung & Elektroheizung	4 tubos & batería eléctrica	Application 4 tubes & batterie électrique	Fan coil 4 tubi con batteria elettrica	4 borulu fan coil & elk. ısıtıcı
⑧	4-pipe with 6-port ball valve	4-Rohr mit 6-Weg-Kugelventil	4 tubos con válvula de bola de 6 vías	4 tubes avec vanne à boisseau sphérique 6 voies	4-tubi con valvola a 6 vie	4-borulu, 6-yollu küresel vana
⑨	4-pipe with 6-port ball valve as changeover and PICV	4-Rohr mit 6-Weg-Kugelventil für Umschaltung und PICV	4 tubos con válvula de bola de 6 vías como cambio y PICV	4 tubes avec vanne à boisseau sphérique 6 voies comme changeover et PICV	4-tubi con valvola a 6 vie per commutazione stagionale e valvola PICV	4-borulu, PICV ve yaz kış geçişi için 6-yollu küresel vana