

THE FLEXIBLE,
ROBUST
AND EFFECTIVE
SOLUTION

IP 66 WEATHERPROOF FLOOR BOXES
4 MODULES



CATALOGUE
PAGES
INSIDE
→



IP 66 WEATHERPROOF FLOOR BOXES THE MULTIPURPOSE SOLUTION SUITABLE FOR ANY ENVIRONMENT

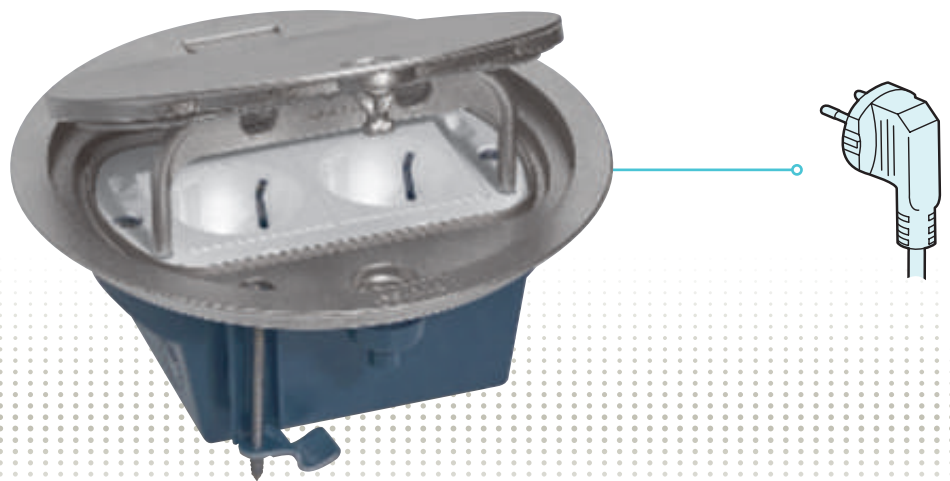
IDEAL
FOR INDOOR
OR OUTDOOR
PUBLIC AREAS...

...hotel lobbies, swimming pools, shopping centres, museums, airports...but also for your home (swimming pool, terrace), IP 66 floor boxes have a capacity of 4 modules meaning they are compatible with 220 V socket outlets or RJ 45 data sockets.

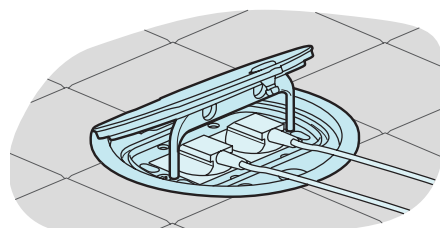
HINGED LID

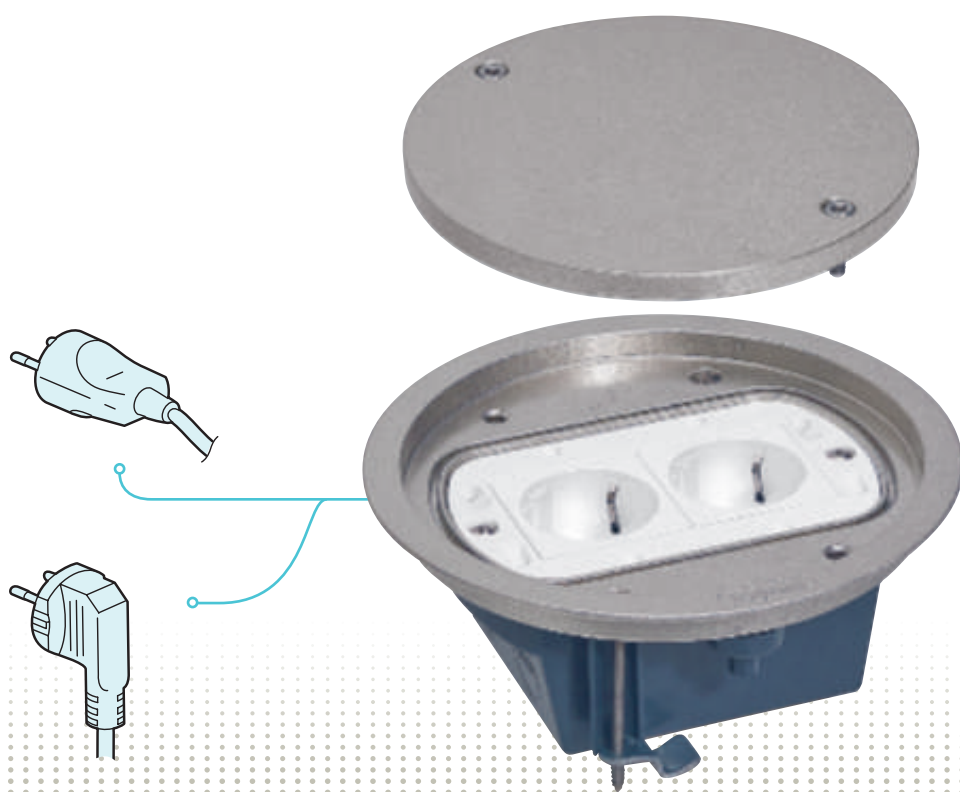
FOR YOUR INDOOR
CONNECTION POINTS

FREQUENT
AND SHORT
TERM USE



Example of use :



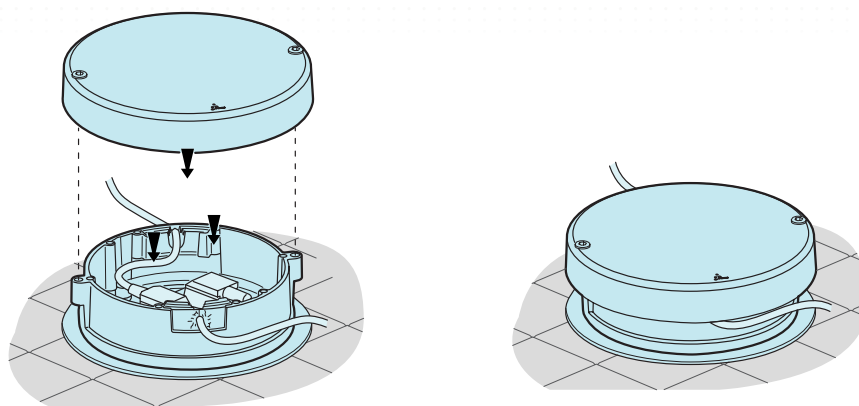


REMOVABLE LID

FOR YOUR INDOOR
OR OUTDOOR
CONNECTION
POINTS

OCCASIONAL
AND LONG
TERM USE

Example of use :
floor boxes with
removable lid + cable
exit accessory

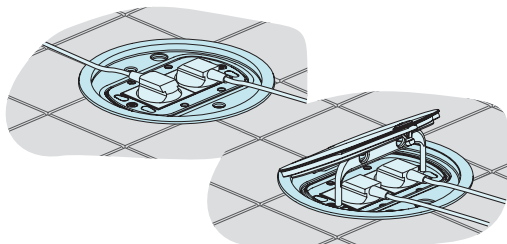


FLEXIBLE AND ROBUST AT THE SAME TIME

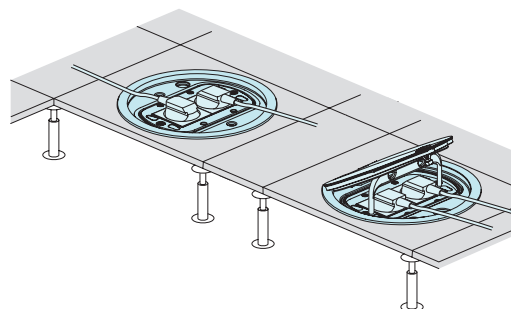
AN ADAPTABLE SOLUTION FOR GREATER FLEXIBILITY

CAN BE ADAPTED TO YOUR TYPE OF FLOOR

CONCRETE FLOOR



RAISED FLOOR



CAN BE EQUIPPED ACCORDING TO YOUR NEEDS

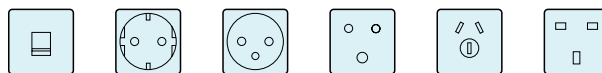
Different configurations possible with the modular wiring accessories (like Arteur or Mosaic Programme ranges)
Capacity: 4 modules

German, French/Belgian standard :

- 2 socket outlets
- 1 socket outlet + 1 or 2 RJ 45 data sockets

British standard :

- 1 switched socket outlet + 1 RJ 45 data socket



A LONG-LASTING SOLUTION FOR GREATER SAFETY

- Metallic floor boxes with very high resistance against mechanical impacts (IK 09)
They can resist to loads up to 10000 N (with lid closed)

Excellent sealing :

- 1 IP 66 with closed lid
 - 2 IP 54 with plugs connected, for removable lid floor boxes equipped with cable exit accessory
- Complies to IEC 60-670-1 and 60-670-23 standards



EASY TO INSTALL

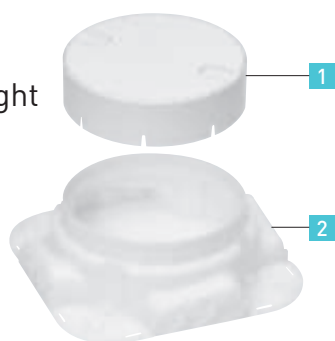
EASY TO USE

EASY INSTALLATION FOR DIFFERENT FLOOR TYPES

FOR CONCRETE FLOORS

Fitted with an auto-adjustable backbox, making it easier to adapt to different screed thickness (from 65 mm to 97 mm)

- 1 Removable lid for adjusting the height depending on the thickness of the screed
- 2 Pre-cut cable entries for different diameters of conduits (16, 20 and 25 mm)



FOR RAISED FLOORS

Quick and easy to fit thanks to the fixing lugs, using a regular screwdriver (1) (floor thickness between 15 mm and 55 mm)



SPECIALLY DESIGNED FOR GREAT USER COMFORT

HINGED LID

- 1 Easy access to the socket outlets inside the floor box by opening the lid with a help of screwdriver
- 2 Securing system for the lid in open position, providing protection for engaged plugs



REMOVABLE LID

Lid held in place by only two screws. The cable exit accessory can be easily fixed using two screws (Allen key) instead of the removable lid (1)



IP 66 floor boxes - 4 modules

for raised or concrete floors



0 880 61 equipped with Mosaic mechanisms



0 880 64 equipped with Mosaic mechanisms



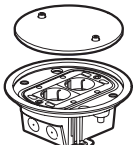

0 880 69



0 880 62

Technical characteristics see **opposite**

Conform to EN 60-670-1 and EN 60 670-23

Pack	Cat.Nos	IP 66 floor boxes - 4 modules
1	0 880 61	<p>Supplied with lid and 4-module support frame for Mosaic Programme or Arteor mechanisms To be installed in flush-mounting backbox Cat.No 0 800 69 or directly in raised floor IK 09 with the lid closed Resistance to loads with lid closed: 10000 N</p> <p>With removable lid - for indoor and outdoor use Can be equipped with cable exit accessory Cat.No 0 880 62 IP 66 (when lid is closed) IP 54 (with cable exit accessory Cat.No 0 880 62 and plugs inserted into the sockets) Stainless steel finish</p> 
1	0 880 64	<p>With hinged lid - for indoor use Compatible with angled plugs only Can be equipped with key lock on request IP 66 (when lid is closed) Stainless steel finish</p> 

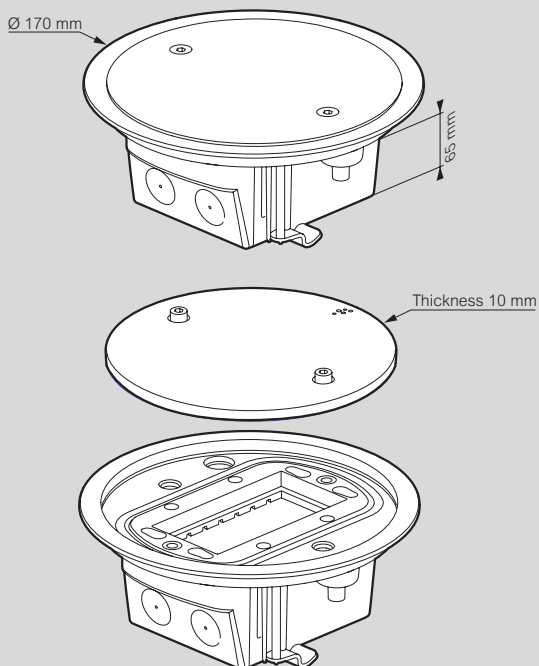
Pack	Cat.Nos	Backbox
1	0 880 69	<p>Auto-adjustable backbox for installing IP 66 floor boxes in concrete floors Supplied with cover Accepts conduits Ø16, 20, 25 mm Minimum screed height: 65 mm</p>
1	0 880 62	<p>Cable exit For removable lid weatherproof floor boxes Cat.No 0 880 62 Allows the passage of power cords when the plugs are inserted into the sockets inside the floor box Compatible with angled plugs only IP 54 cable exit accessory (with plugs inserted into the sockets)</p>

IP 66 floor boxes - 4 modules

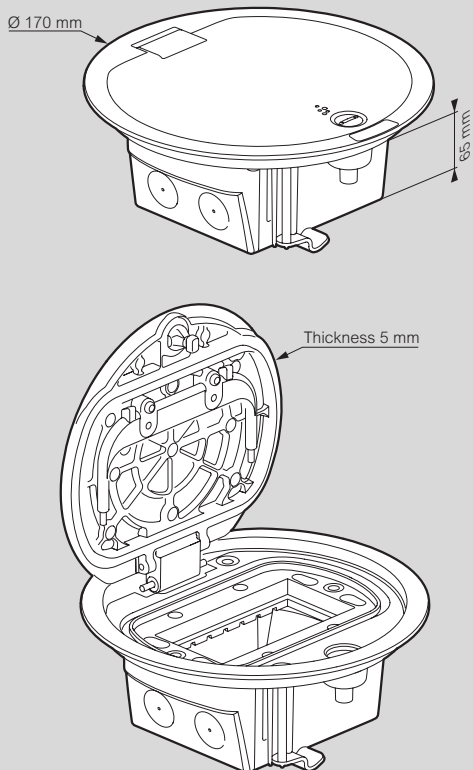
for raised or concrete floors

■ Dimensions

Floor boxes Cat.Nos 0 880 61

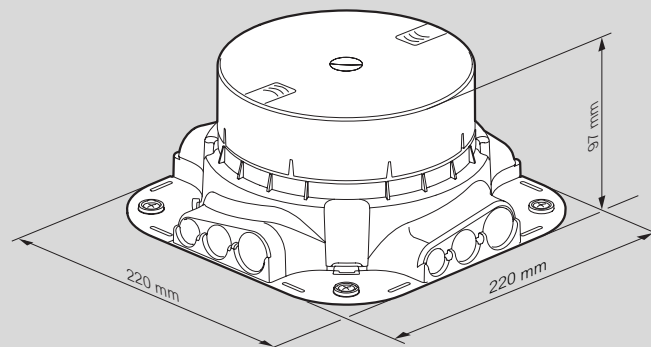


Floor boxes Cat.Nos 0 880 64

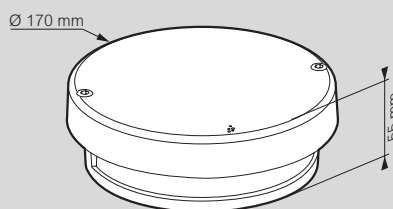


■ Dimensions (continued)

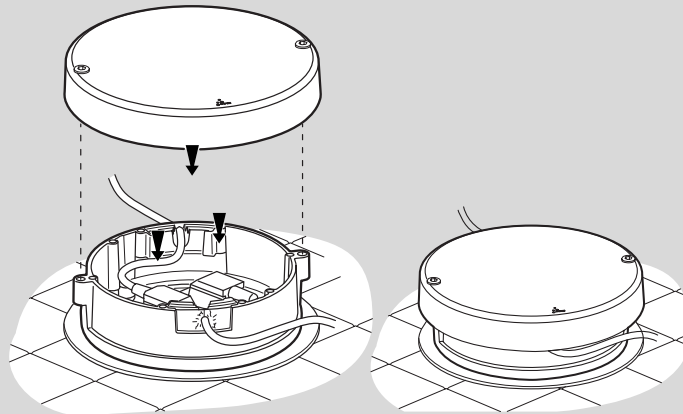
Flush-mounting backbox Cat.No 0 880 69



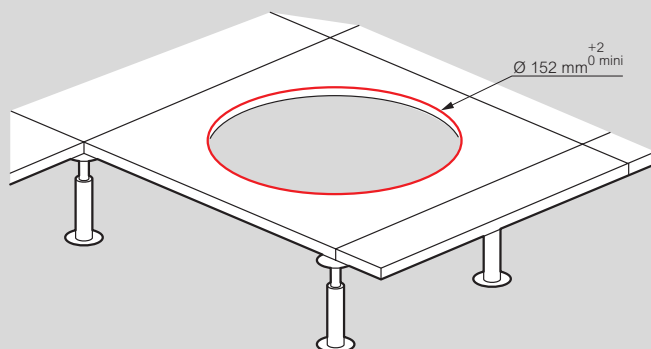
Cable exit accessory Cat.No 0 880 62



■ Example of use for removable lid floor box with cable exit accessory Cat.Nos 0 880 61 + 0 880 62



■ Floor cut for installation in raised floor





FOLLOW US
ALSO ON

- @ www.legrand.com
- ▶ www.youtube.com/legrand
- t twitter.com/legrand_news
- f facebook.com/@legrand



**World Headquarters
and International Department**
128, avenue de Lattre de Tassigny
87045 Limoges Cedex
France
Tel : + 33 (0) 5 55 06 87 87
Fax : + 33 (0) 5 55 06 74 55