



Entrance Panel 10"

User and installation manual

bticino



Contents

General information	4
Warnings and recommendations	4
Warnings and consumer rights	4
Fundamental concepts	5
Naming of the devices	5
Community	5
Call addressing procedures	6
Call using the address in the Community	6
Call using the Alias (alphanumeric code)	7
Call using the Phonebook	7
Lift control function	7
Fire linkage	7
CCTV cameras	7
Address book	7
Front and rear view	8
Dimensional data and installation heights	11
Installation	12
Uninstall	16
Example diagrams	17
Ethernet connection	18
Fiber optic riser connection (case of higher bandwidth demand)	19
Lift control 1 - Lift control, 1 riser, 1 entrance panel	20
Lift control 2 - Lift control, multi riser, 1 entrance panel	21
Lift control 3 - Lift control, 1 riser, multi entrance panel	22
Available functions	23
Use of the device	24
Introduction	24
Use of the device	25
Home page	25
Functions	26
Call a IU	26
Answering machine	31
Messages and advertising	32
Call a GS	33
Accesses	34
Access using Access Code	35
Access using badge or card	37
Access using Face recognition	38
Access using Finger print	39
Configurations using the device (Settings)	40
Address	43
Setting	44
Date and time	45
Access code	46
Guard station	47
Door lock	48
Background	49
Information	50
Language	51
User guide	52
Display & Volume	53
Lift control	54
Ringtone	56
Info management	57
Face settings	58

General information

Warnings and recommendations

It is important to read this manual carefully before proceeding with the installation.

The warranty becomes automatically void in case of negligence, improper use, tampering by unauthorised personnel.

The Entrance Panel must not be exposed to water drops or splashes; it must be used only on IP DES digital systems.

Warnings and consumer rights



Read carefully before use and keep for future reference.

Touching the units with wet hands is forbidden.

Using liquid cleaners or aerosols is forbidden.

Blocking the ventilation openings is forbidden.

Modifying the devices is forbidden.



Removing protective parts from the devices is forbidden.

Exposing the unit to water drops or splashes is forbidden.

Installing the units near heat/cold sources or hot/cold air emission points is forbidden.

Installing the units near heat/cold sources is forbidden.

Installing the units near harmful gases and powders is forbidden.

Fastening the units on unsuitable surfaces is forbidden.



Danger of electrical shock.



Risk of devices falling because the surface on which they are installed collapses or inappropriate installation.

Switch the power supply OFF before any work on the system.



Caution: Installation, configuration, starting-up and maintenance must be performed exclusively by qualified personnel.

Check that the wall installation has been carried out correctly according to the installation instructions.

Check that the unit installation complies with the standards in force.

Connect the power supply wires as indicated.

Use only the items indicated in the technical specifications for any system expansions.

Fundamental concepts

Naming of the devices

In this manual, for easy reading, the abbreviated device name is used as in the list:

- IU: Indoor Unit
- EP: Entrance Panel
- GS: Guard Station
- SD: Server DES
- SEP: Small Entrance Panel
- AB: Address book
- SW: Software Server DES

Community

The term Community means the housing complex reproduced in the project design made using the SW.

The structure in its maximum extension includes:



Call addressing procedures

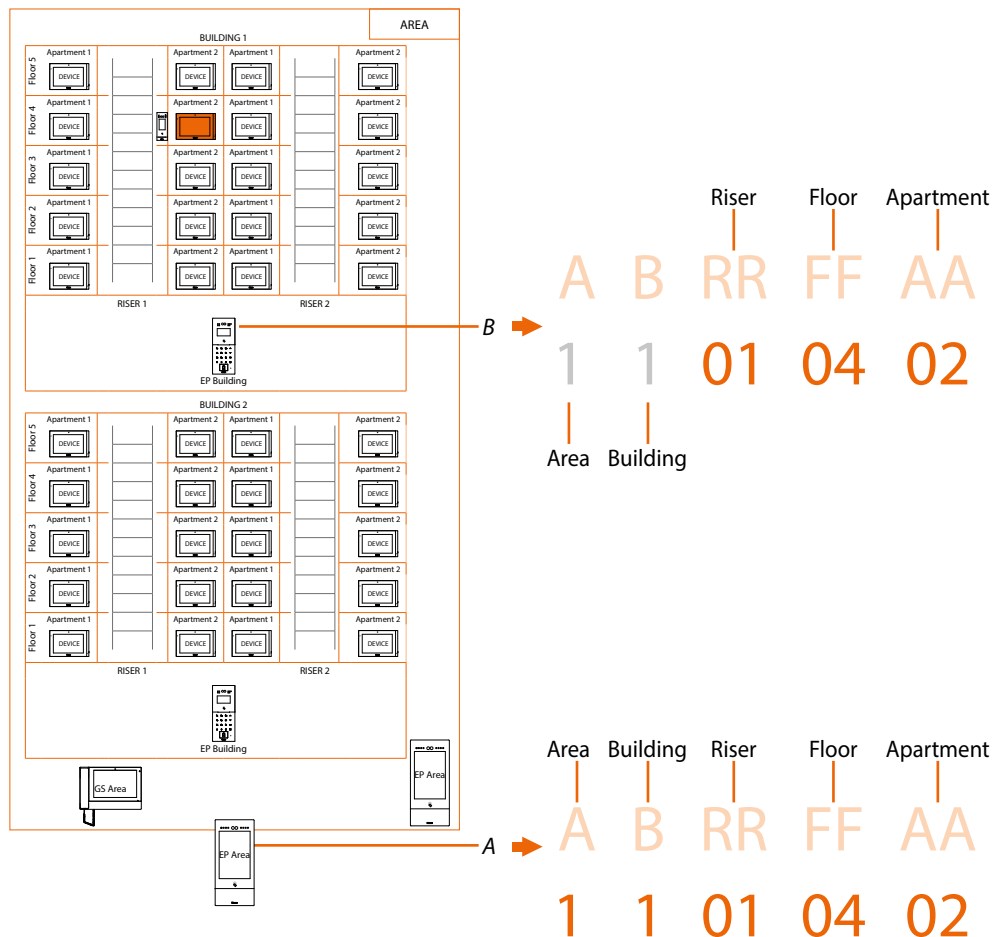
On the basis of data recorded in the AB and the Community structure the calls can be made using various methods:

- call using the address in the Community;
- call using the Alias (alphanumeric code);
- call using the Phonebook.

Call using the address in the Community

To make this type of call you must know the address of the person being called, which depends on the community structure, for example:

- to call the IU highlighted in the diagram from the «A» EP, enter the corresponding address «11010402»;
- to call the IU highlighted in the diagram from the «B» EP, enter the corresponding address «010402», as the IU is positioned inside building 1 and therefore it is sufficient to type the Riser, Floor and Apartment number.



Note: during the configuration phase, the number of digits to be used for each call sector (Area/ Building/Riser/Floor/Apartment) must be set.

Example: I have to call an apartment inside building 2

- if there are from 1 to 9 buildings in the area, I must enter «2» (one digit used for the Building call sector);
- if there are more than 10 buildings in the area, I must enter «02» (two digits used for the Building call sector).

The system will automatically show the correct number of digits to type and which data to enter on the basis of the EP position you are calling from, for example Area (2 01 06 02) or Building (01 06 02)

System configuration (default)

Areas 9, Building 99, Riser 99, Floor 99, Apartment 99

It is possible to modify the limits using the SW (see SW manual for details)

Call using the Alias (alphanumeric code)

The alphanumeric code, by default, is the same address as in the Community but it is possible to replace it with an alias using the SW. For more details see the Software manual.

Example:

1 1 01 04 02 ➔ B12

Call using the Phonebook

In this way it is possible to use the phonebook key and select the contact to call or it is possible to make a call by typing the code (Alias), with the advantage that during typing the system will autocomplete the address; see the software Manual for more detail.

Example:

1 1 01 04 02 ➔ JOHN SMITH

Lift control function

The Lift control function allows a command to be sent to the lift control centre to simulate a lift call.

The lift action depends on the functions of the lift control unit (BTicino cannot define these functions. They depend on the lift manufacturers).

It is necessary to enable the function in [Settings/setting](#)

It is possible to display some wiring diagram examples in the [Example diagrams/lift control](#) section. For more information, see the «Lift Control Interface item 375010 software manual».

Fire linkage

It enables the door lock opening function in case of fire.

The Fire linkage function allows the automatic opening of EP door locks in the event of a fire.

The use of this function requires a clean contact in the GND FIRE LINKAGE input clamp from the fire fighting system.

It is necessary to enable the function in [Setting](#)

CCTV cameras

CCTV cameras for passive video surveillance.

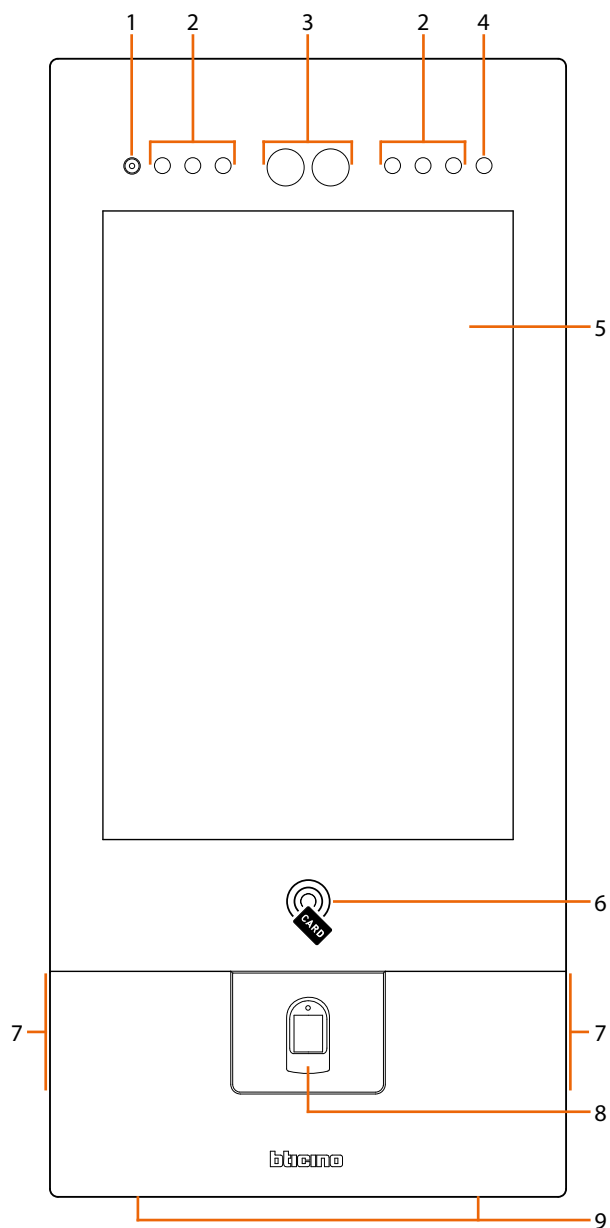
Address book

Phonebook, created using the SW, containing the addresses of all the system devices.

TIMES		
Function	Default time	Customisation using SW
Call time after which the video door entry answering machine* activates	30 seconds	not customisable
Duration of communication time	60 seconds	From 60 to 120 seconds
Unlock time	5 seconds	From 2 to 255 seconds
Screen saver	30 seconds	30 - 60 - 120 - 300 - 600 seconds

*setting the RINGTONE DURATION time on the IU at less than 30 seconds, the answering machine does not activate

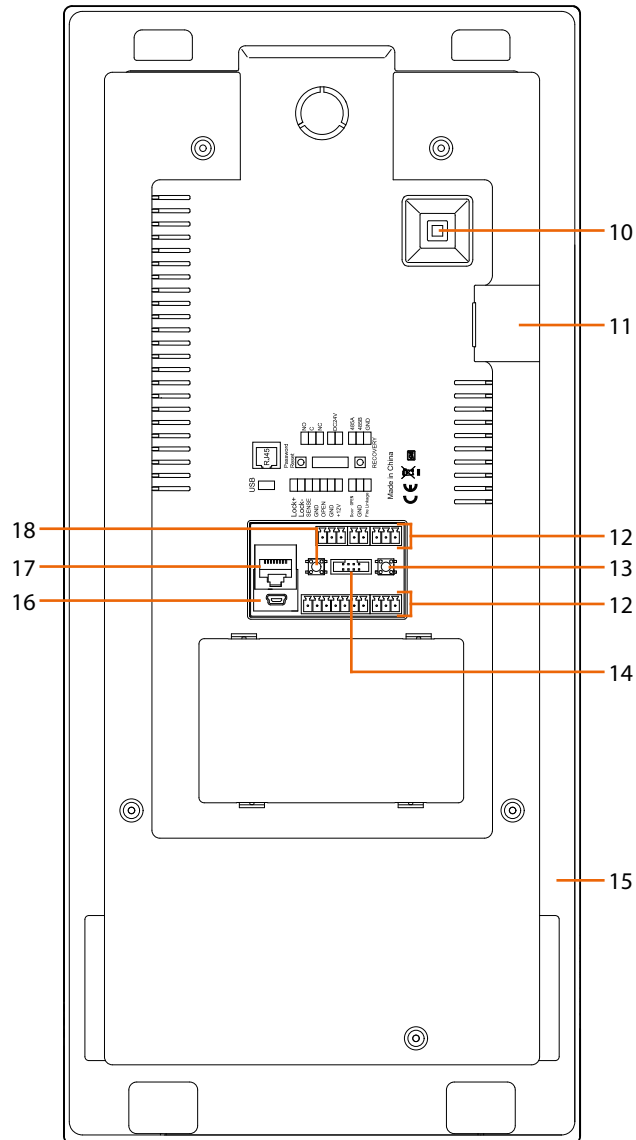
Front and rear view



1. Microphone
2. LED for the shooting field lighting
3. Camera
4. Light sensor
5. Display 10" (touch screen)
6. Badge reader for door lock opening
7. Loudspeaker
8. Finger print reader (only 374000)
9. Locking screws

Entrance Panel 10"

User and installation manual



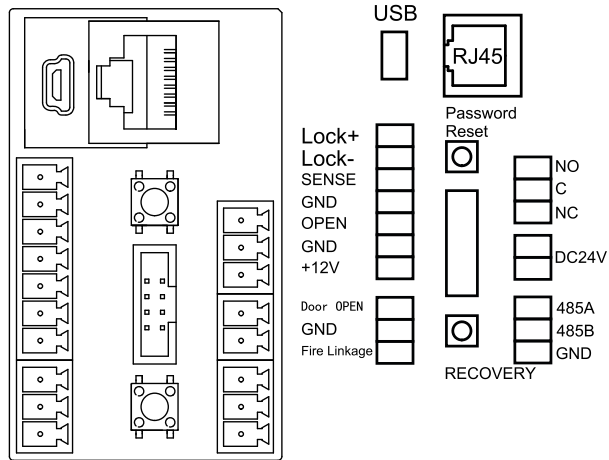
- 10. Tamper switch
- 11. SD card
- 12. Connection clamp
- 13. Not used
- 14. Not used
- 15. Mounting bracket
- 16. USB Connector (not used)
- 17. RJ45 Connector (*)
- 18. Reset setting password and local access code

(*) This device does not support standard POE power supplies, but only POE power supplies identified with item no. 375002.

Connect the cat5/5e/6 FTP or cat5/5e/6 UTP cable with ferrite supplied to the connector

Entrance Panel 10"

User and installation manual



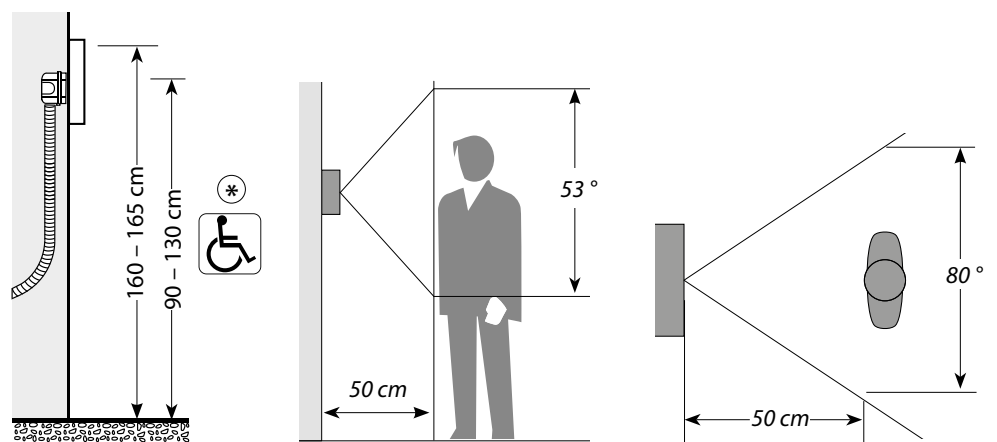
Connection clamps			
LOCK+	electric door lock connection and control (12V - 4A impulsive on 3 Ohm maximum)	Door OPEN – GND	local door lock release pushbutton connection
LOCK-		FIRE Linkage – GND	local door lock release pushbutton connection for firealarm system
SENSE	door lock status signal input (dry contact)	NO	
GND	system common ground terminal for third party connection	C	interlocked contact
OPEN	third party access control signal input for door lock opening (+12Vdc pulse)	NC	
GND		DC24V	additional power supply clamps (not polarized)
	access control devices power supply	RS485A	terminal A
+12V		RS485B	terminal B
		GND	system common ground terminal for RS485 connection

It is possible to display some wiring diagram examples in the [Example diagrams/functions](#) section

Dimensional data and installation heights

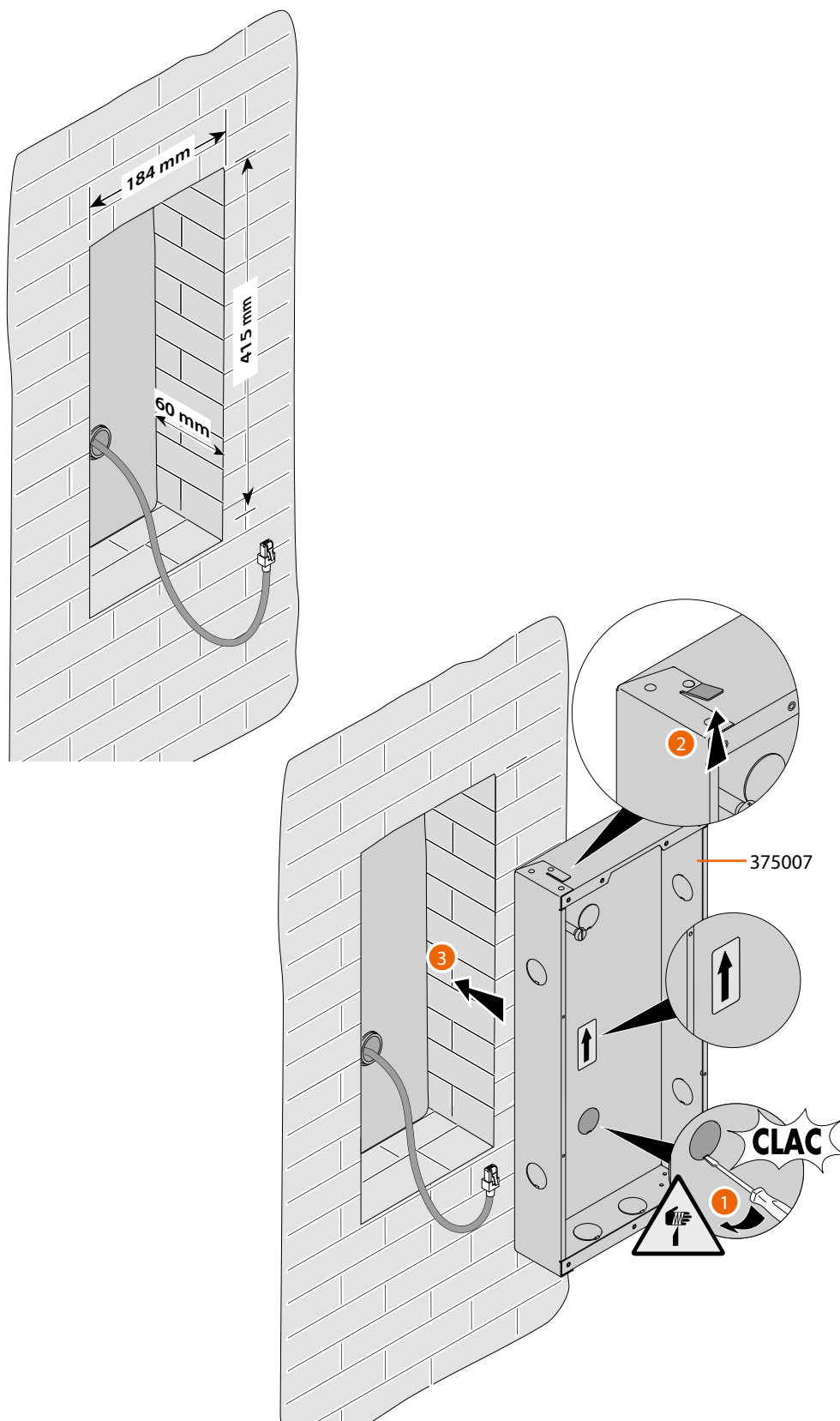


To ensure proper operation, the Fingerprint Reader must be installed in a location protected from rain.



(*) Recommended height, unless different regulations are specified.

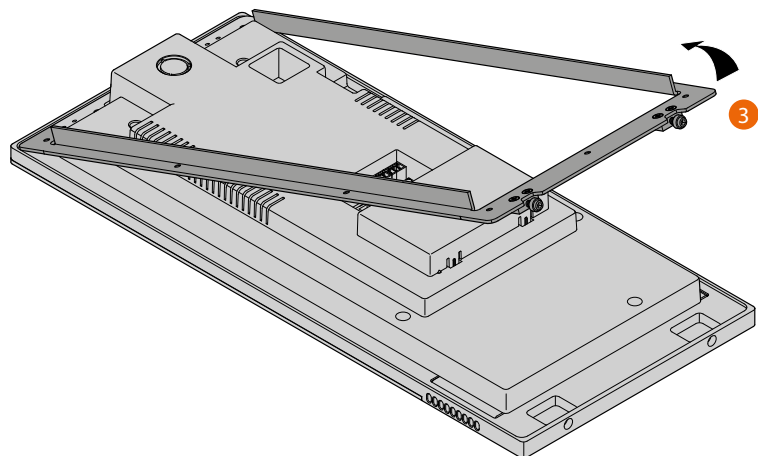
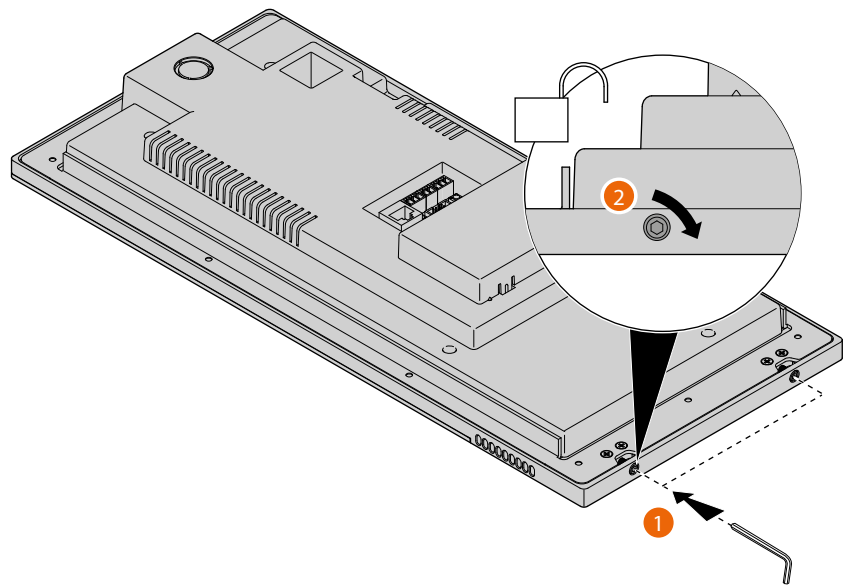
Installation



Attention: the RJ45 cable must be at least 200 mm long

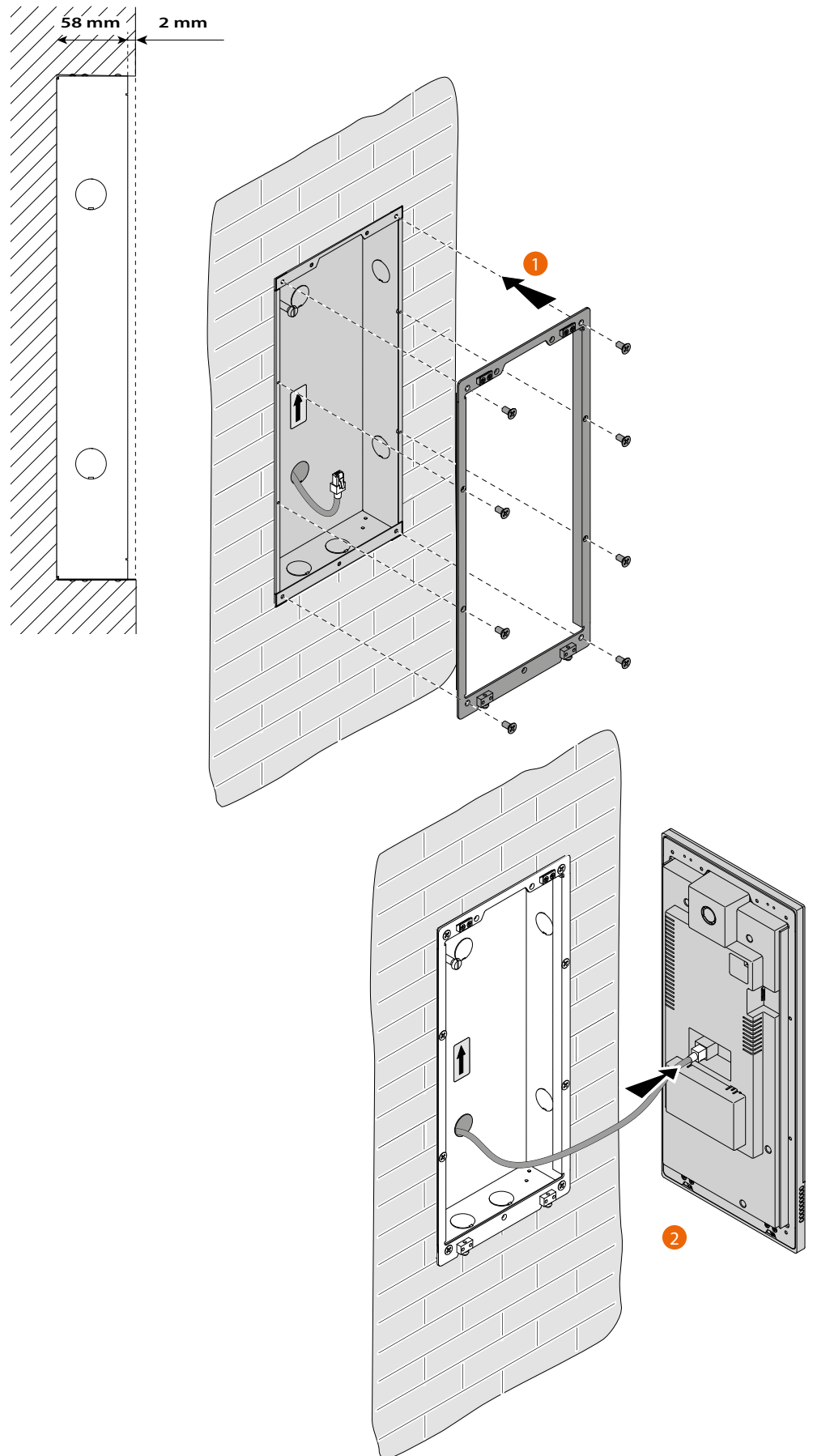
Entrance Panel 10"

User and installation manual



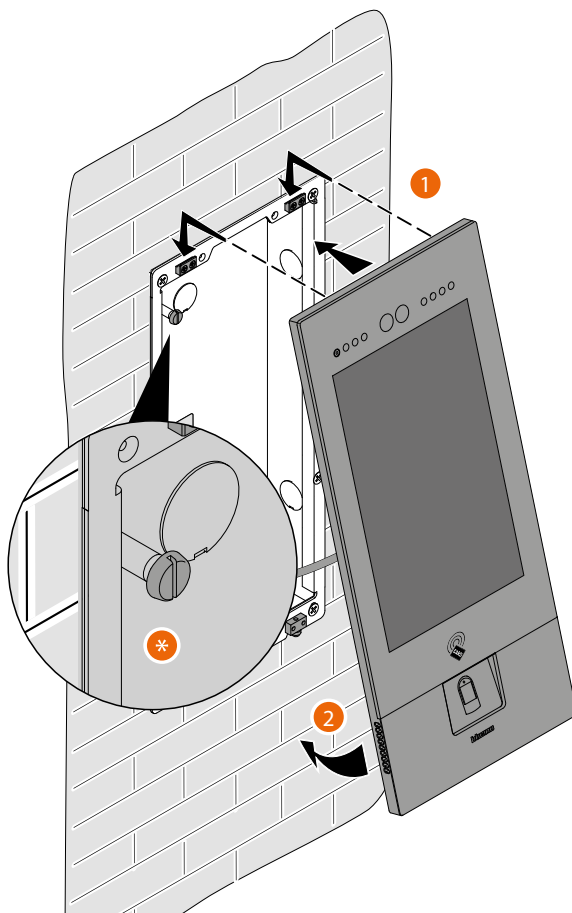
Entrance Panel 10"

User and installation manual

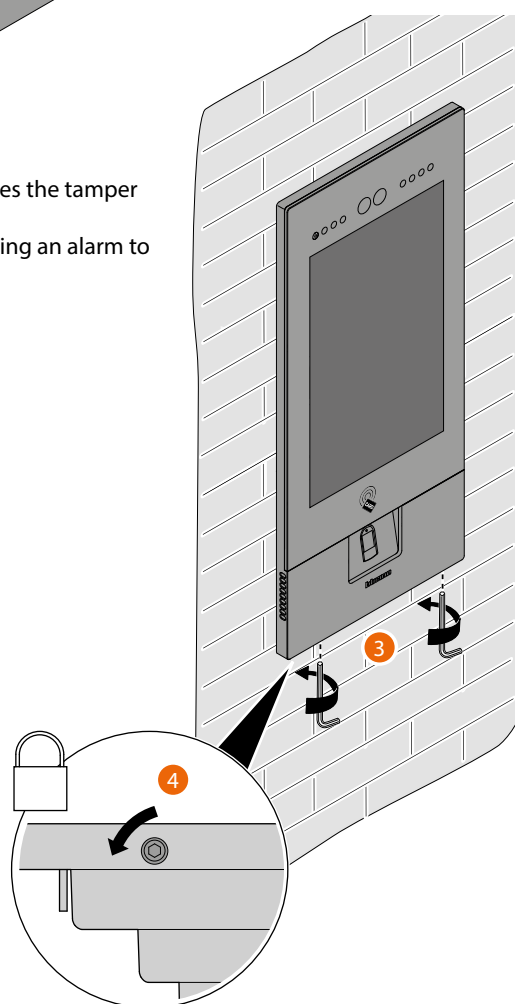


Entrance Panel 10"

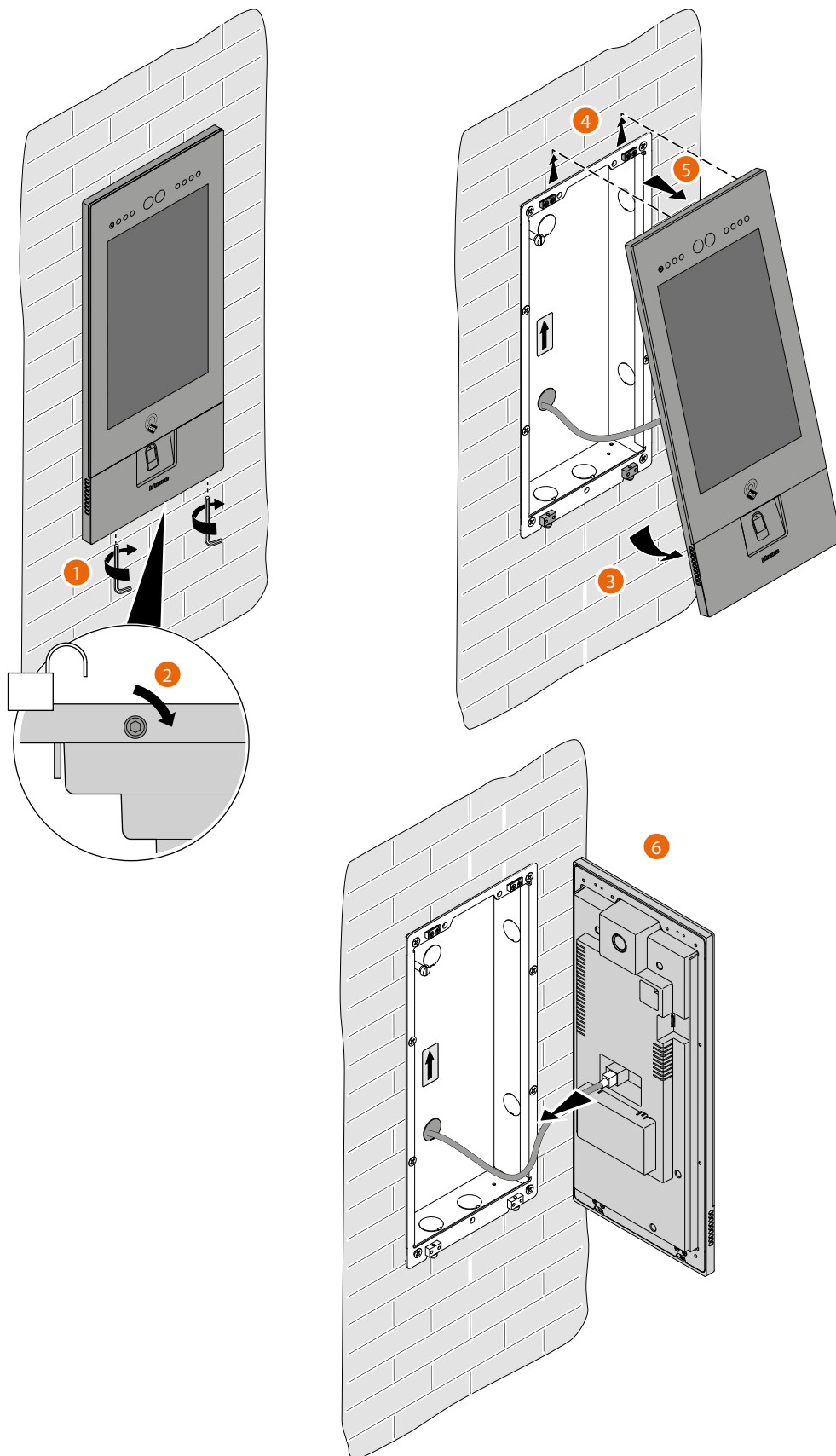
User and installation manual






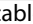
(*) Adjust the tamper screw so that it presses the tamper switch of the device and activates the anti-theft function in case of removal sending an alarm to the GS.



Uninstall

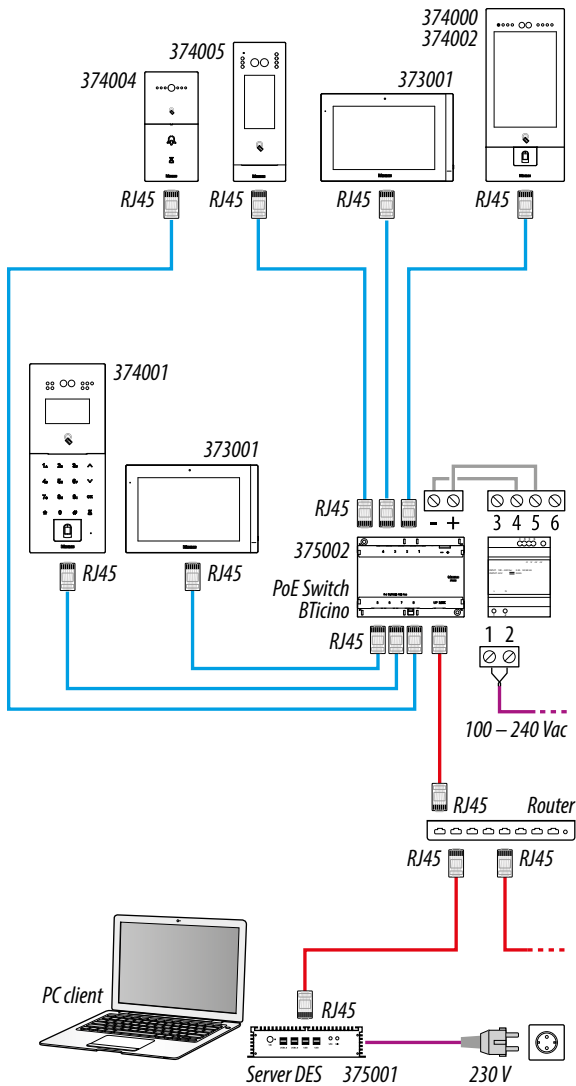


Example diagrams

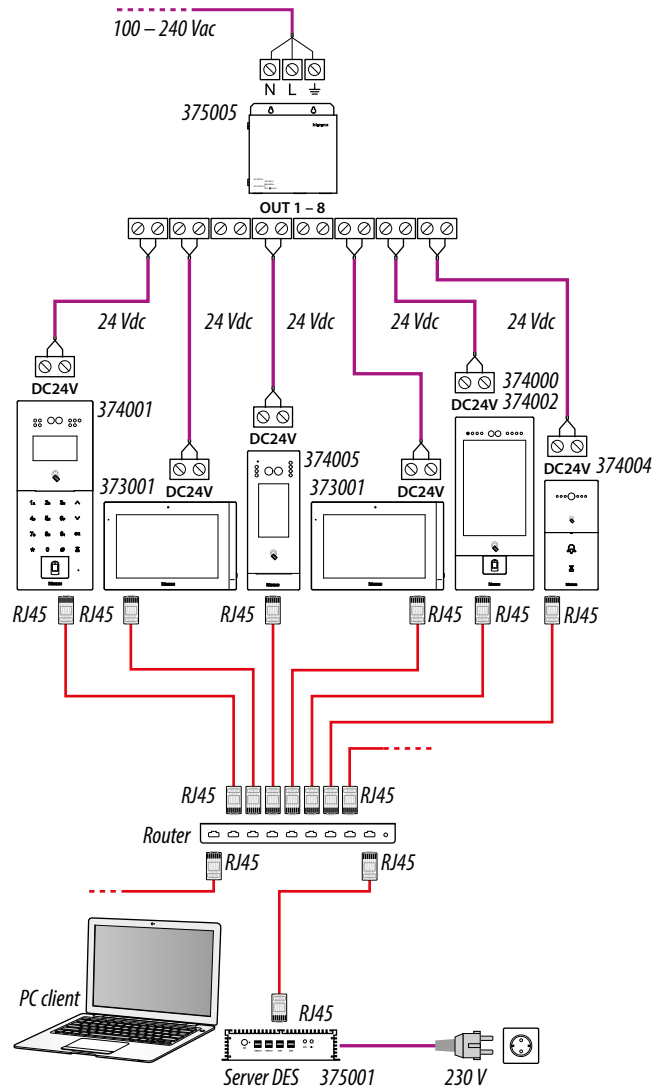
CABLES LEGEND	LAN PoE BTicino 	LAN Ethernet 	Copper cables 	2 x Copper cables 
---------------	---	--	---	---

It is possible to use two different types of connection according to installation situation:

A - Diagram with power supply by BTicino PoE Switch



B - Diagram with local power supply



Attention: this device does not support standard POE power supplies, but only POE power supplies identified with 375002. Connect the cat5/5e/6 FTP or cat5/5e/6 UTP cable with ferrite supplied to the connector.

Attention: do not directly connect PoE ports to an unsuitable network interface, such as a device powered by a different voltage. Connect the UP LINK port to a suitable port, never to a PoE port.

Note: maximum length of every LAN permanent link line = 90 m.

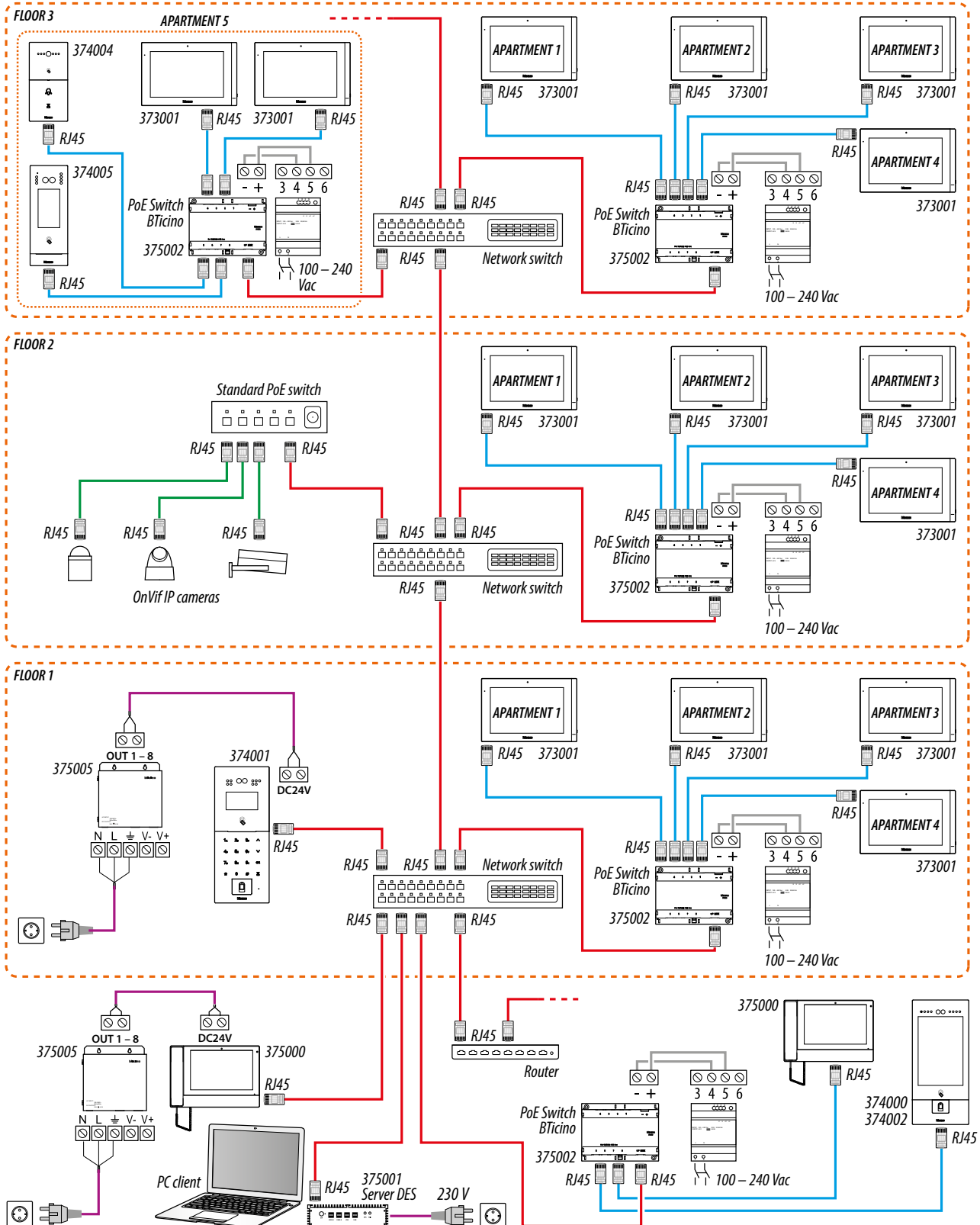
Entrance Panel 10"

User and installation manual



Ethernet connection

CABLES LEGEND	LAN PoE Standard	LAN PoE BTicino	LAN Ethernet	Copper cables	2 x Copper cables
---------------	------------------	-----------------	--------------	---------------	-------------------

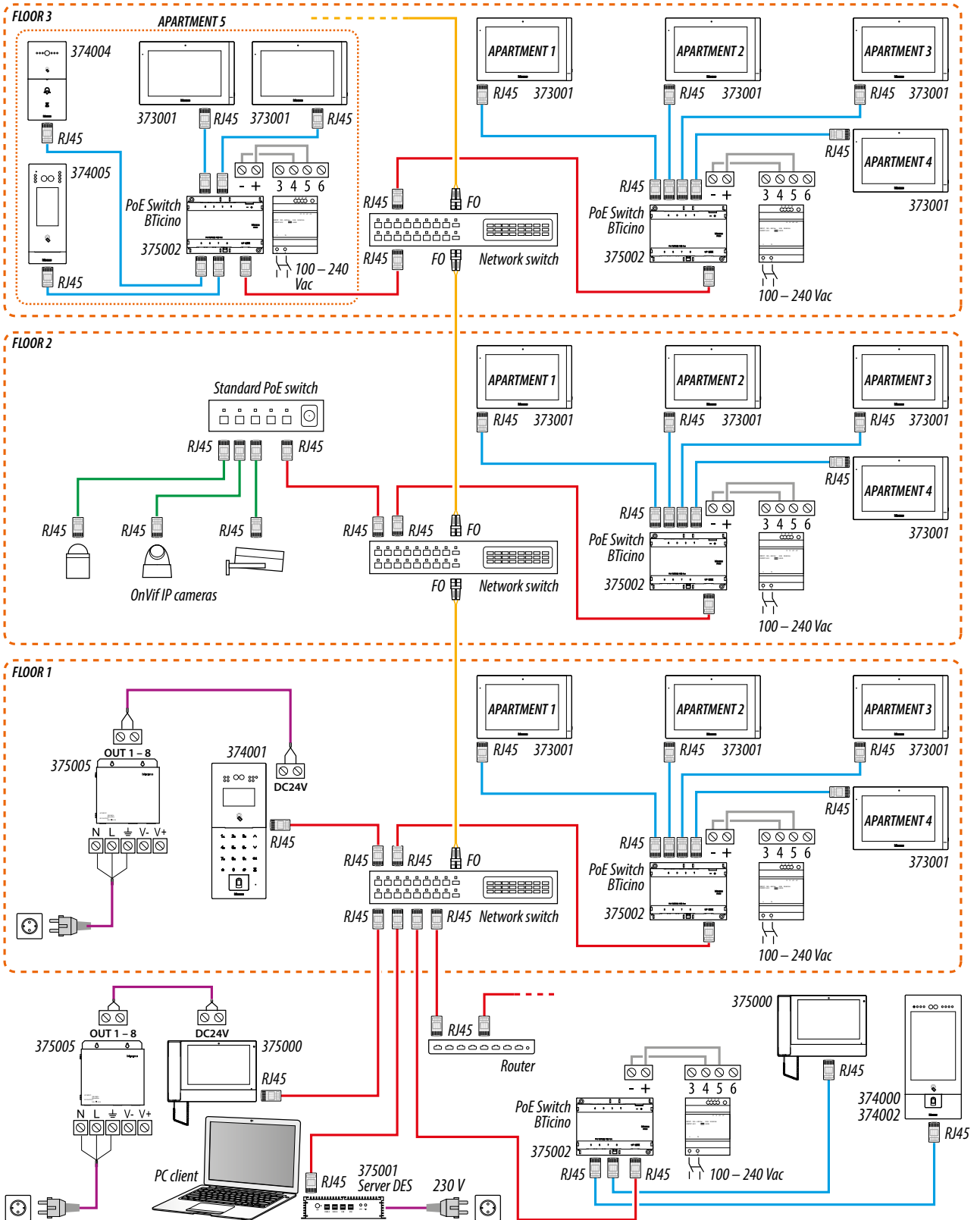


Attention: do not directly connect PoE ports to an unsuitable network interface, such as a device powered by a different voltage. Connect the UP LINK port to a suitable port, never to a PoE port.

Note: to connect the devices it is possible to use both types of wiring (diagram A or diagram B) or even mixed ones.

Fiber optic riser connection (case of higher bandwidth demand)

CABLES LEGEND	LAN PoE Standard	LAN PoE BTicino	LAN Ethernet	Optical fiber	Copper cables	2 x Copper cables
	—	—	—	—	—	—



Attention: do not directly connect PoE ports to an unsuitable network interface, such as a device powered by a different voltage. Connect the UP LINK port to a suitable port, never to a PoE port.

Note: to connect the devices it is possible to use both types of wiring (diagram A or diagram B) or even mixed ones.

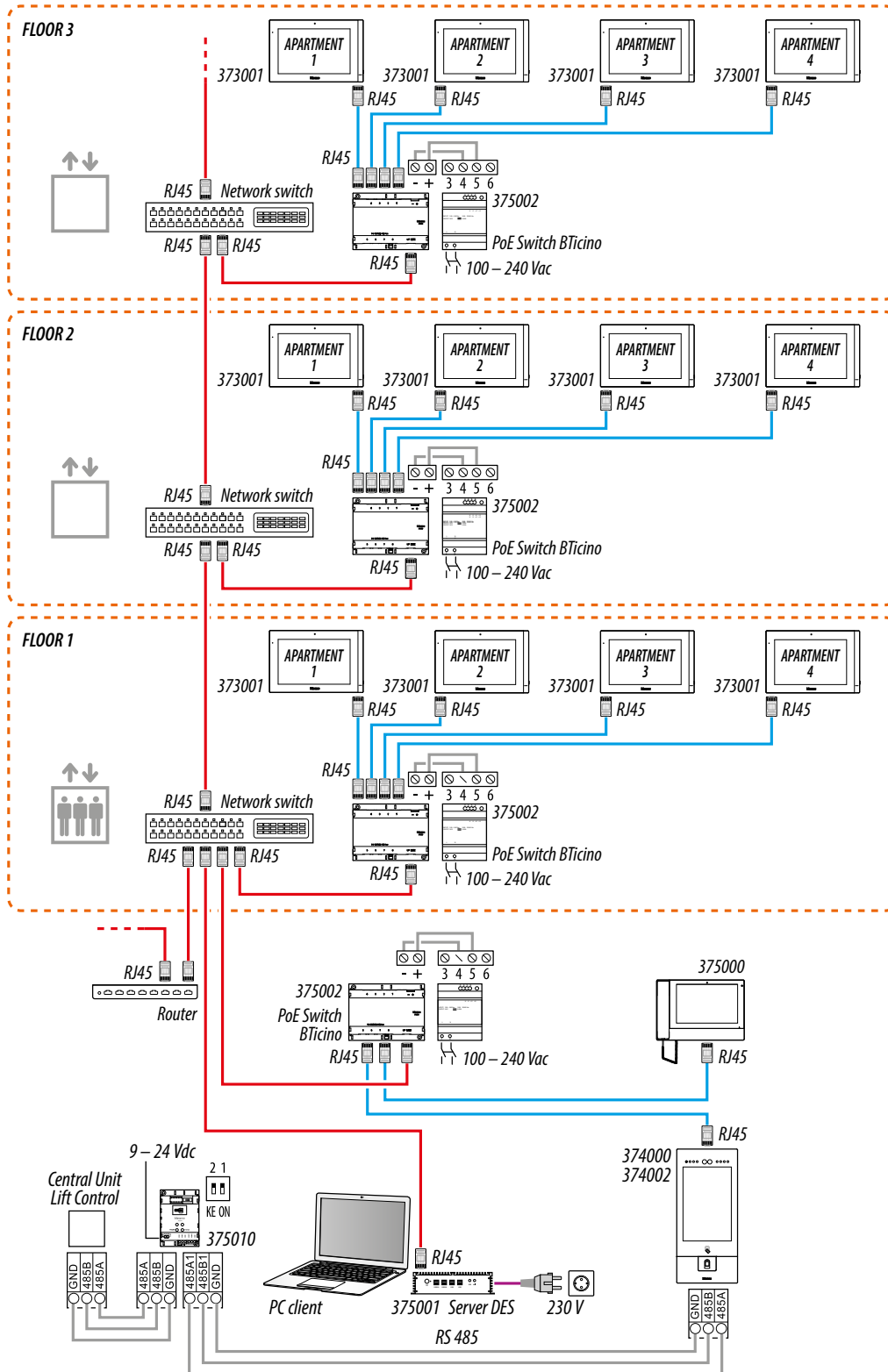
Entrance Panel 10"

User and installation manual



Lift control 1 - Lift control, 1 riser, 1 entrance panel

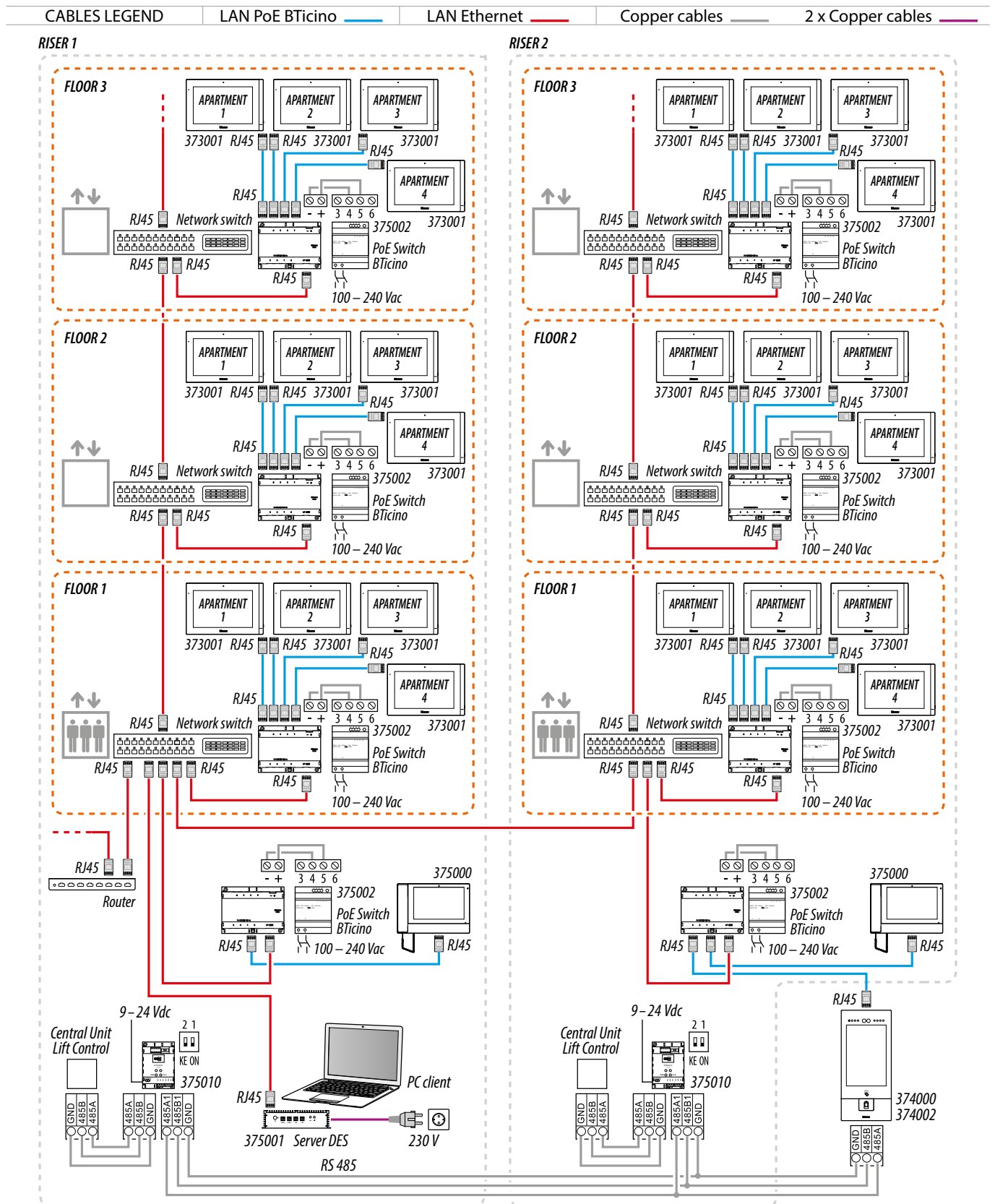
CABLES LEGEND	LAN PoE BTicino	LAN Ethernet	Copper cables	2 x Copper cables
---------------	-----------------	--------------	---------------	-------------------



Attention: do not directly connect PoE ports to an unsuitable network interface, such as a device powered by a different voltage. Connect the UP LINK port to a suitable port, never to a PoE port.

Note: to connect the devices it is possible to use both types of wiring (diagram A or diagram B) or even mixed ones.

Lift control 2 - Lift control, multi riser, 1 entrance panel



Attention: do not directly connect PoE ports to an unsuitable network interface, such as a device powered by a different voltage. Connect the UP LINK port to a suitable port, never to a PoE port.

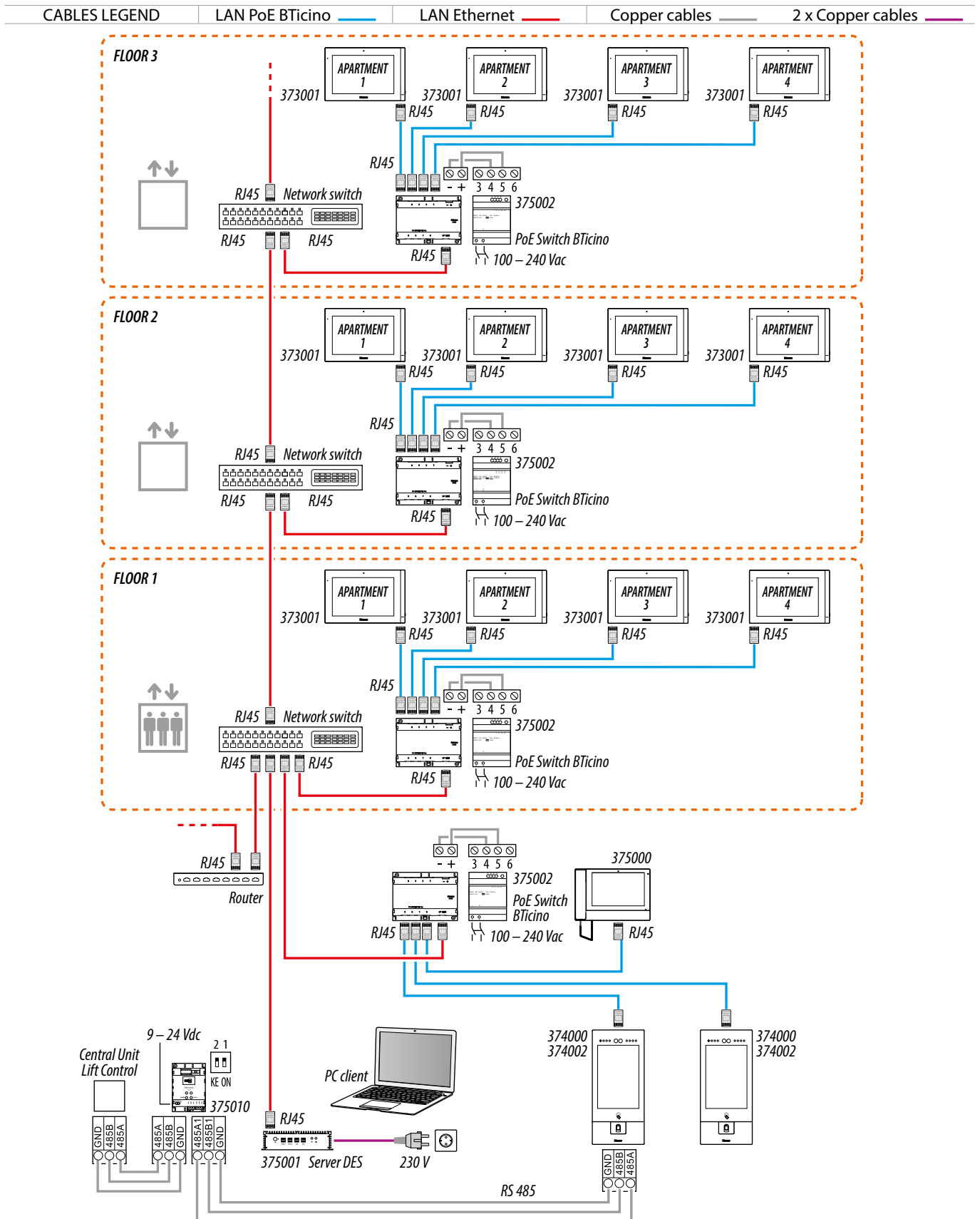
Note: to connect the devices it is possible to use both types of wiring (diagram A or diagram B) or even mixed ones.

Entrance Panel 10"

User and installation manual



Lift control 3 - Lift control, 1 riser, multi entrance panel



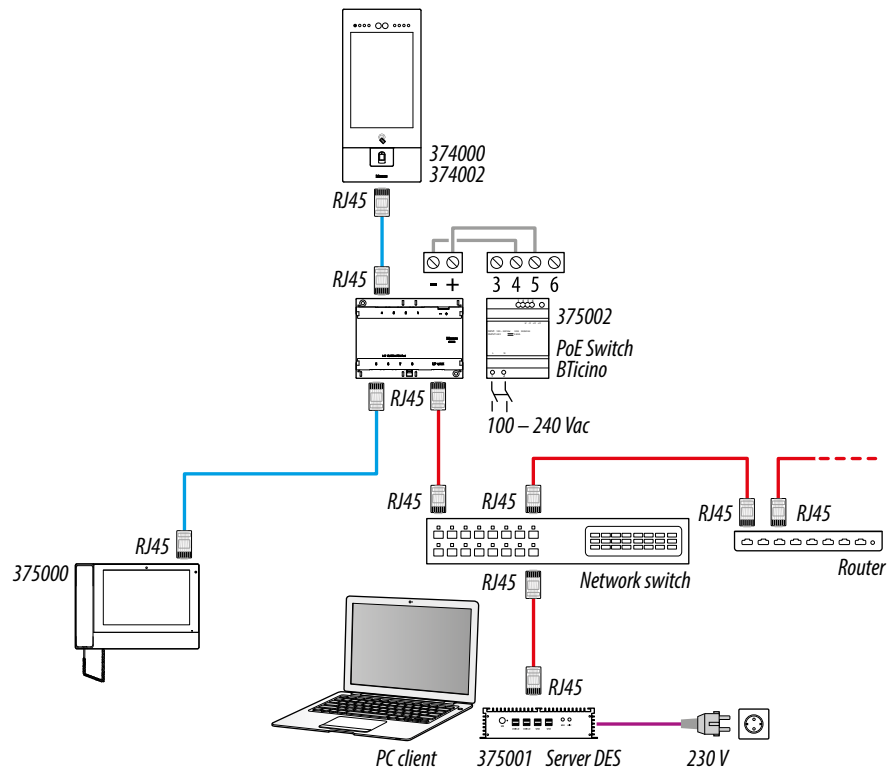
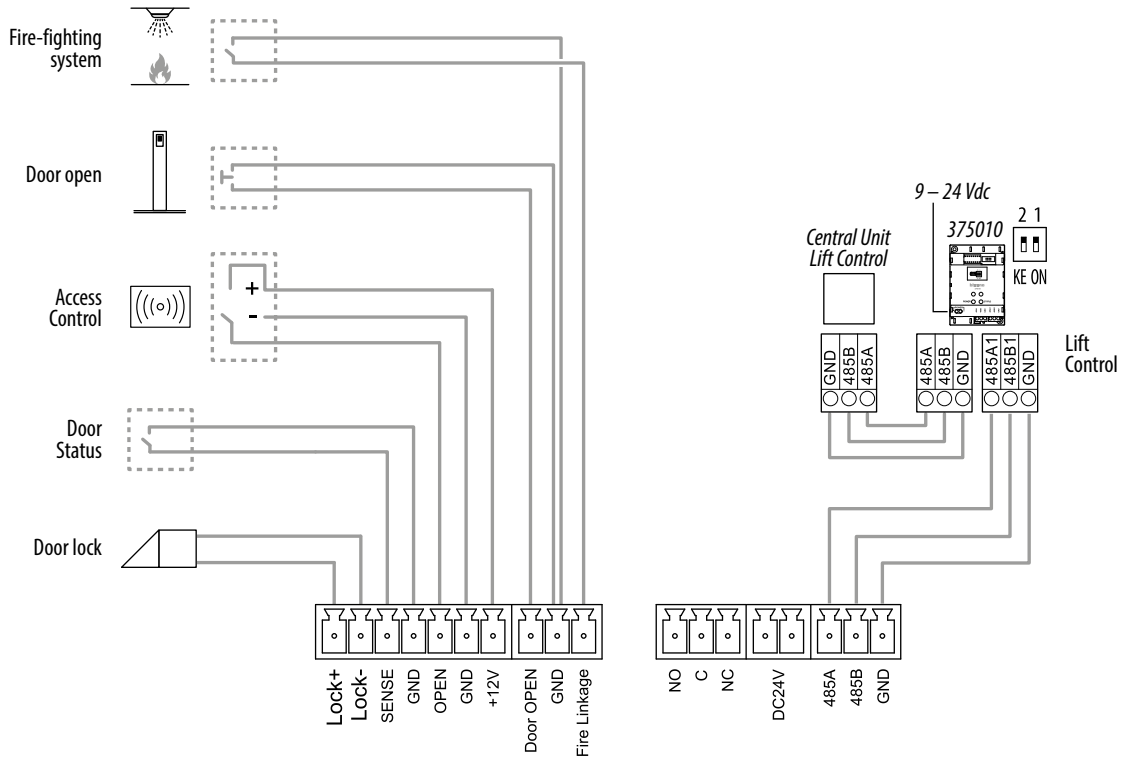
Attention: do not directly connect PoE ports to an unsuitable network interface, such as a device powered by a different voltage. Connect the UP LINK port to a suitable port, never to a PoE port.
Note: to connect the devices it is possible to use both types of wiring (diagram A or diagram B) or even mixed ones.

Entrance Panel 10"

User and installation manual

Available functions

CABLES LEGEND	LAN PoE BTicino —	LAN Ethernet —	Copper cables —	2 x Copper cables —
---------------	---	---	---	---



Attention: do not directly connect PoE ports to an unsuitable network interface, such as a device powered by a different voltage. Connect the UP LINK port to a suitable port, never to a PoE port.

Note: to connect the devices it is possible to use both types of wiring (diagram A or diagram B) or even mixed ones.

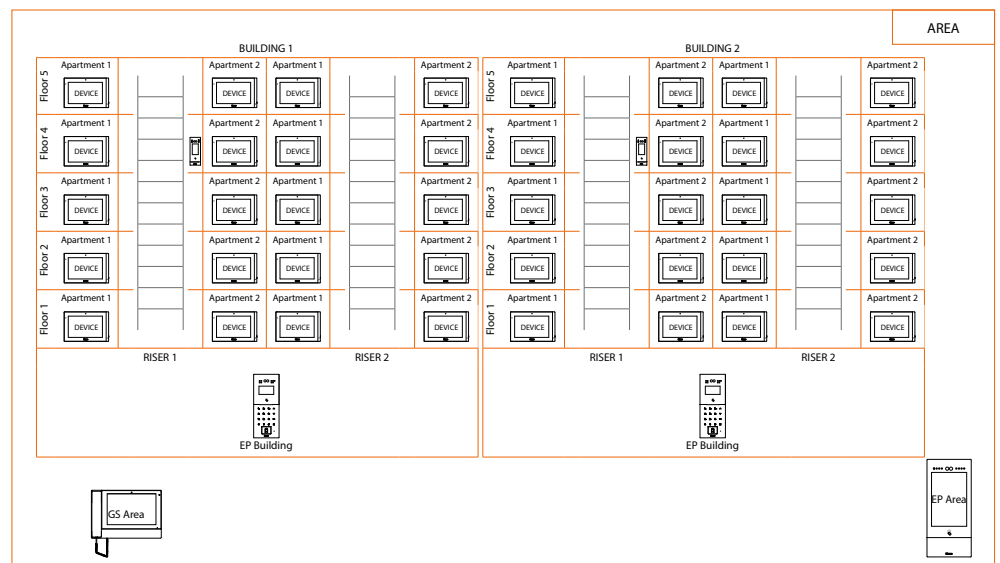
Use of the device

Introduction

After the installation and connection of the device, it is necessary to configure it and create the Community structure. For details see Server DES Software manual.



- Step 01 Community VLAN network creation
- Step 02 Community structure definition
- Step 03 Community structure creation
- Step 04 Device MAC address registration
- Step 05 Forwarding of the phonebook to the SD
- Step 06 Installation of the devices
- Step 07 Activation of the devices
- Step 08 System test

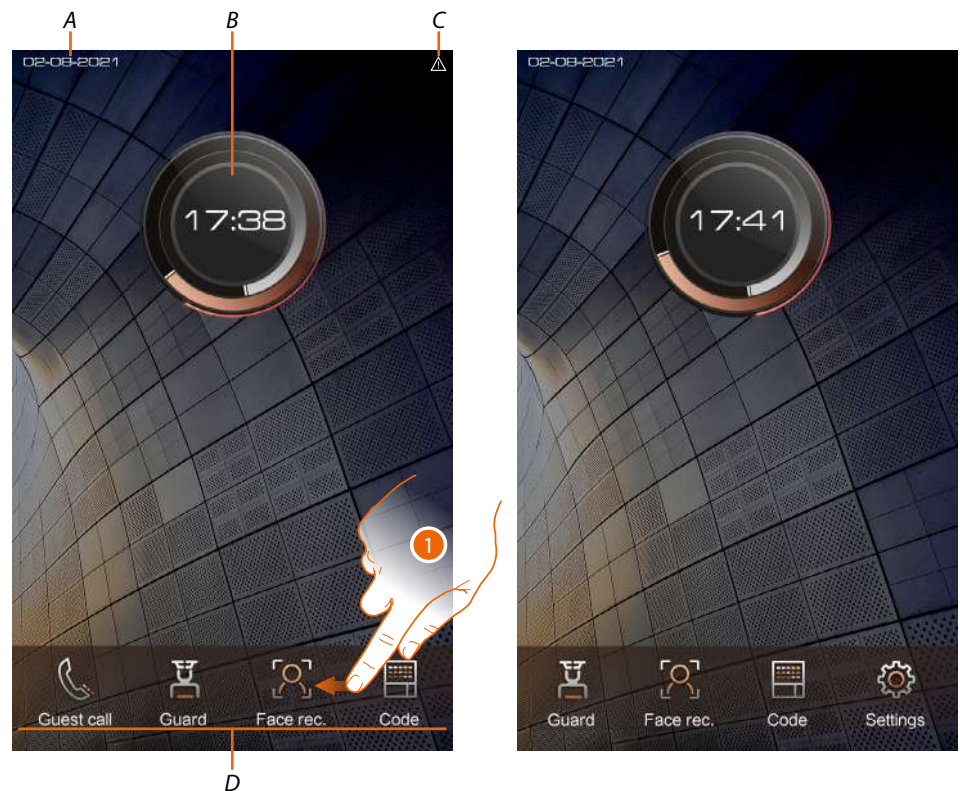



Use of the device

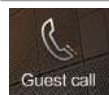
Home page

This page may show different content according to the configuration and systems connected to the device.

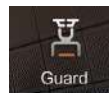
The Home Page, with all the functions enabled, is shown below.



- A Current date
- B Current time
- C Status icons:
 -  Network problem
- D Function keys



Call a IU



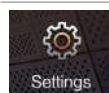
Call a GS



Access using Face recognition



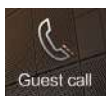
Access using Code



Settings

1. Scroll to display the complete menu bar

Functions



Call a IU

It is possible to call an IU in different ways:

- [Call using the address in the Community;](#)
- [Call using the Alias \(alphanumeric code\);](#)
- [Call using the Phonebook](#)

The call mode depends on how the community has been configured using the SW. For details see [Fundamental concepts](#)



1. Touch to select the function

Call using the address in the Community



Call using the Alias (alphanumeric code)



A Delete typing

B Change the type of keypad (numbers/letters)

C Send a call

2. Enter the address in the IU Community, the device helps you by showing the fields to be entered (e.g. 1 01 04 02)

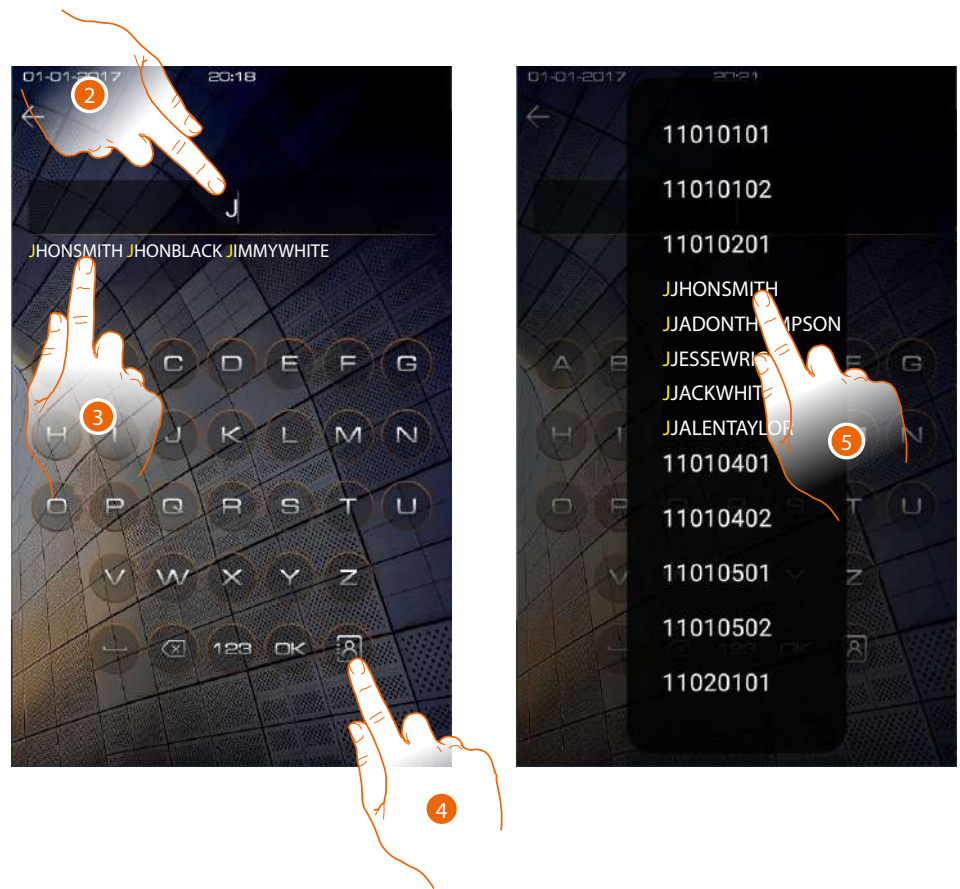
3. Touch to send the call

2. Enter the alphanumeric code created using the SW (e.g. B12)

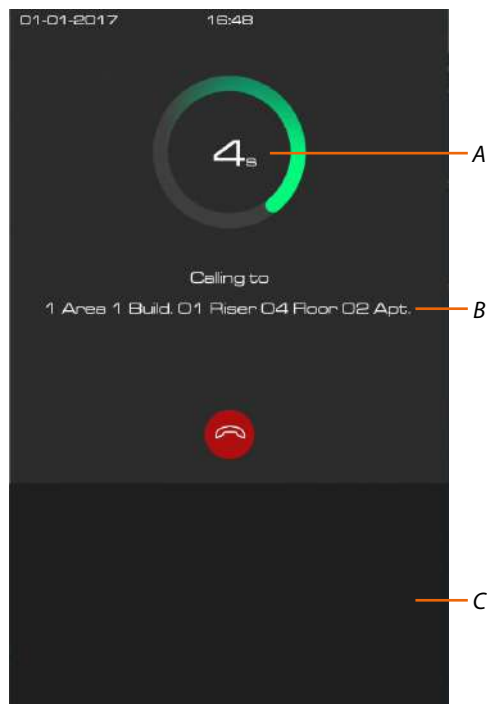
3. Touch to send the call

Note: in the alphanumeric mode, the default code corresponds to the address in the Community as long as the SW has not altered it in the AB

Call using the Phonebook



2. Enter the Alias saved in the AB (e.g. JOHNSMITH) directly. In this mode autocompletion is active
3. Touch the suggested contact to send the call
4. Touch to open the phonebook containing the contacts you can call.
E.g. a Building EP will display only its building contacts.
5. Touch the code to send the call



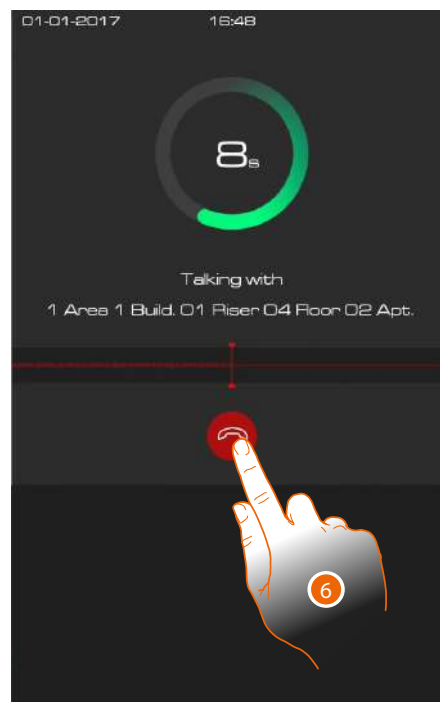
A Call duration

B Address in the IU Community*

C Display **messages and advertising** zone (the home page display is software enabled)

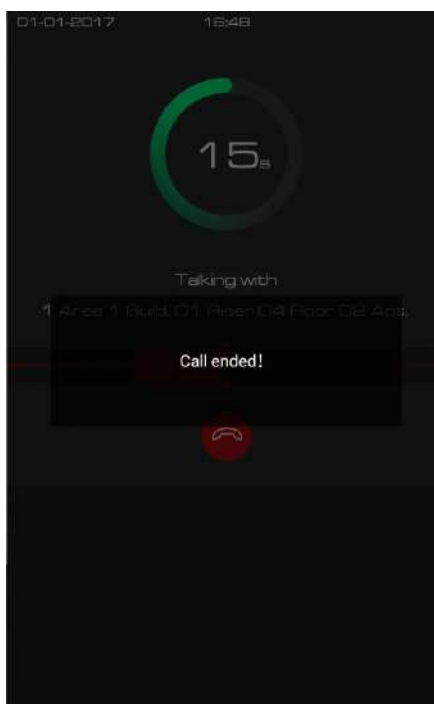
***Note:** the caller display depends on how the community has been configured using the software. For details see Fundamental concepts

When the IU answers, the audio signal bar appears



6. Touch to end the call

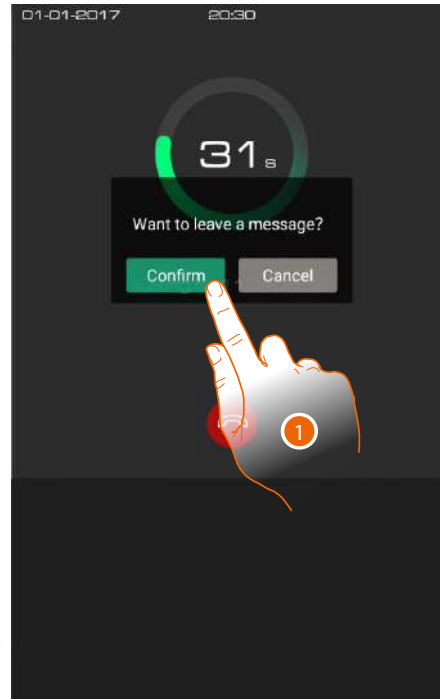
When the IU does not answer a message can be recorded (see [Answering machine](#))



A message indicates that the call is ended

Answering machine

If the IU does not answer within 30 seconds, it is possible to leave a photo with a voicemail.



1. Touch to record a photo message



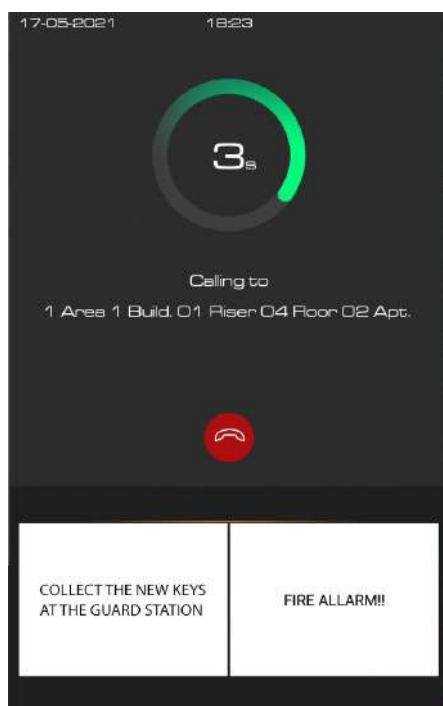
2. You have 30 seconds to leave a message.
The IU will receive your image and the voice messages
3. Touch to end

Messages and advertising

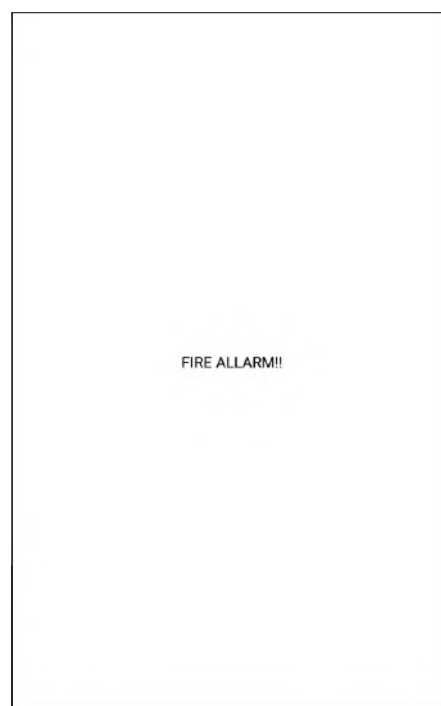
When messages are sent to the community via SW, the device displays them in two ways:

- during a call (before the IU answers)
- when the screen saver is activated.

Community message	messages coming from the Facility manager about the Community
Advertisement message	messages coming from the Facility manager showing advertising content
Emergency notification	emergency messages, coming from the Facility manager



Messages displayed during a call

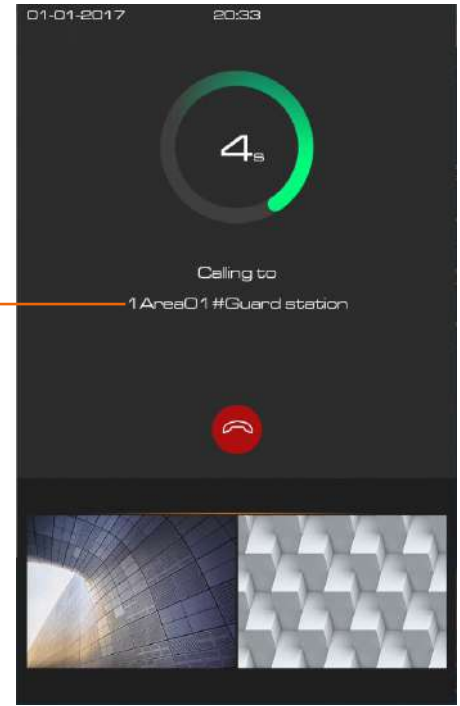
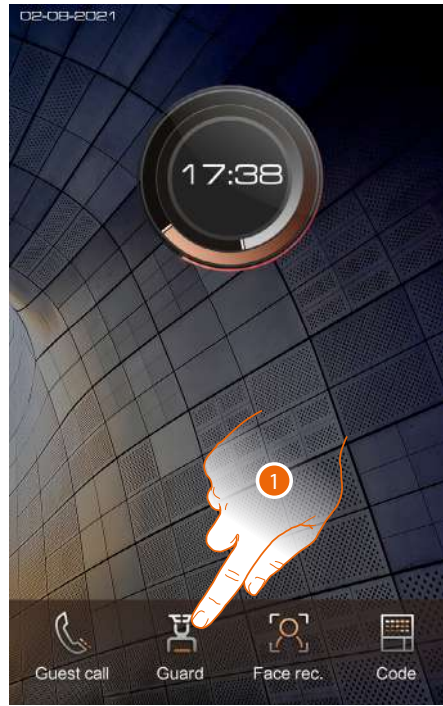


Messages displayed as screen saver



Call a GS

This function allows to call the reference GS set in the [Settings/Guard station](#) section

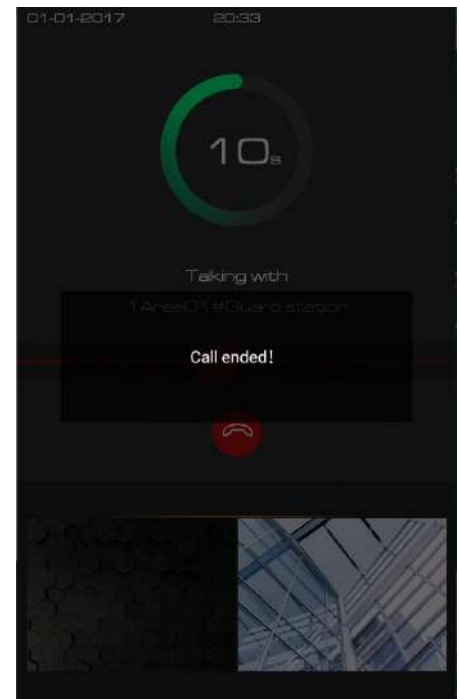
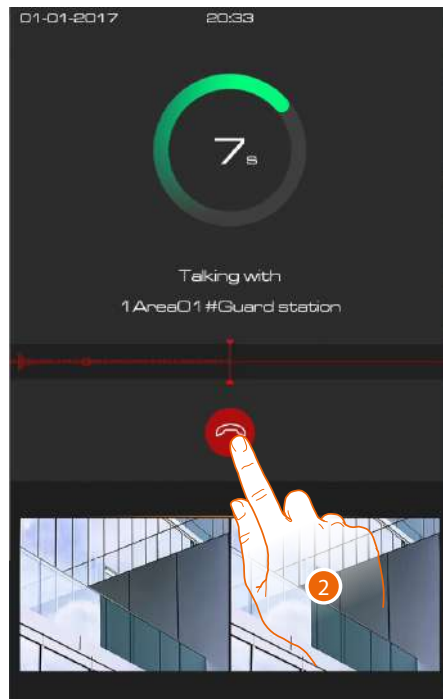


1. Touch to select the function

A GS address*

***Note:** the caller display depends on how the community has been configured using the software. For details see [Fundamental concepts](#)

When the GS answers, the audio signal bar appears



2. Touch to end the call

A message indicates that the call is ended

Accesses

It is possible to access the building in different ways:



Access code

Access by entering a local code, an apartment personal code* or a panic code



Badge

Access using a badge or card configured with SW



Face recognition

Access by face recognition. Need to record the face using SW (only for item 374000)



Finger print

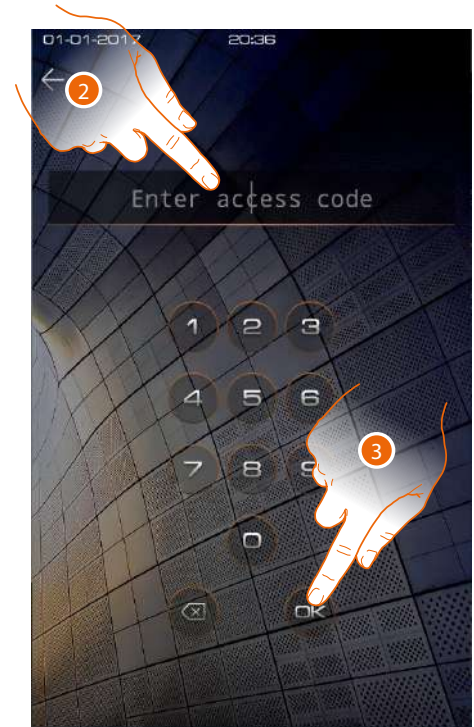
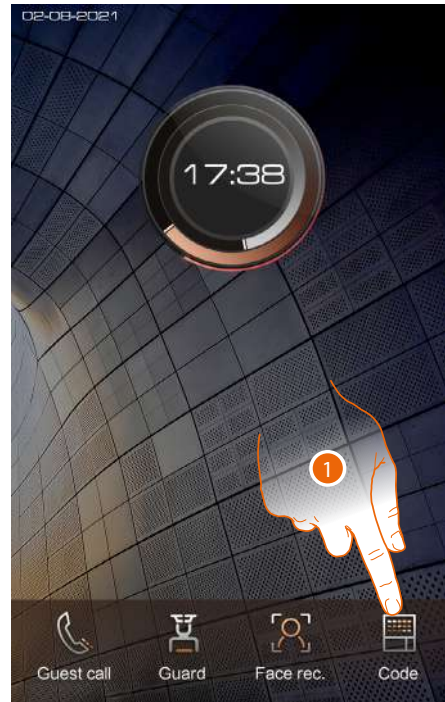
Access by fingerprint recognition. Need to record the fingerprint using SW (only for item 374000)

**Correct operation requires the configuration of the code from the IU and a resident associated with the apartment in the SW (see SW Community/Person profile management)*



Access using Access Code

Using this function it is possible to access the building by typing an Access code. The Access Code is set in the [Installation\Access code\local](#) section



1. Touch to select the function
2. Enter the local access code (default 111111) or the personal access code or panic code.
Note: for safety reasons, modify the code.
3. Touch to confirm

Personal access code opens the last EP of my community, i.e. the EP closest to the apartment, chosen from those to which I have access.

Example: if they are enabled to all the accesses (complete Area/Building/Riser/Floor/Apartment structure) I open the Apartment EP.

This code does not work on community/area/building EPs

Panic access code: opens the door and at the same time sends an alarm message to the guard station.

Example: if a criminal forces me to forcibly open the door

The local access code opens community EPs, with the exception of apartment SEPs and EPs

Note: for safety reasons, modify the code.

Note: to activate the code, there must be a resident associated with the apartment in the SW (see SW manual).

Entrance Panel 10"

User and installation manual

bticino



Beeps and visual warnings will confirm that the code has been recognised and the door lock will open.



Access using badge or card

Using this function you can access the building using a badge or a card. To use this function, the badge or card must be saved in the system via SW.



1. Move the badge or card on the reader



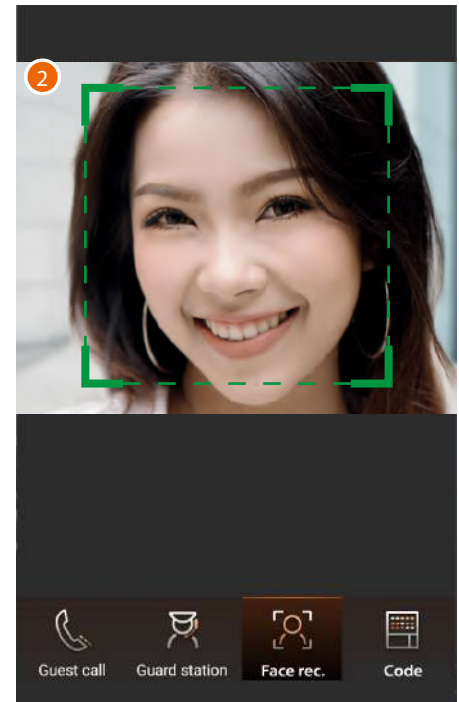
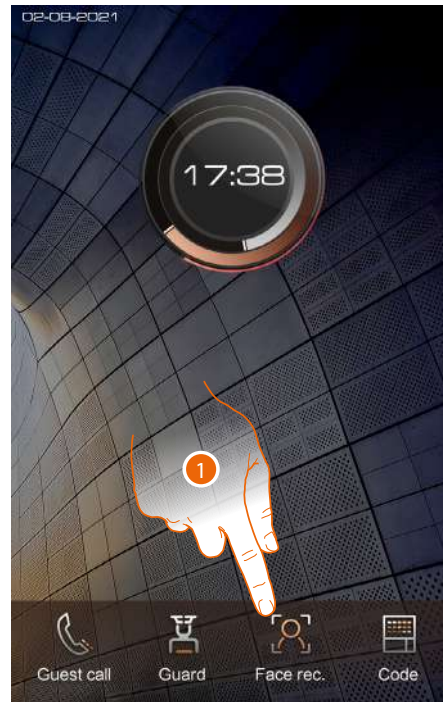
Beeps will confirm that the badge/card has been recognised and the door lock will open.



Access using Face recognition

Using this function, the EP camera will recognise your face and you can enter the building automatically without entering a code.

To use this function, your face must be saved in the system via SW.



If the **proximity sensor is active** the function will activate automatically, otherwise:

1. Touch to select the function
2. Position yourself so that the camera can frame your face and the system activates the recognition process.



Beeps will confirm that the face has been recognised and the door lock will open.



Access using Finger print

Using this function, the fingerprint reader will recognise your fingerprint and you can enter the building automatically without entering a code.

To use this function, your fingerprint must be saved in the system via SW.



1. Position your finger in contact with the fingerprint reader

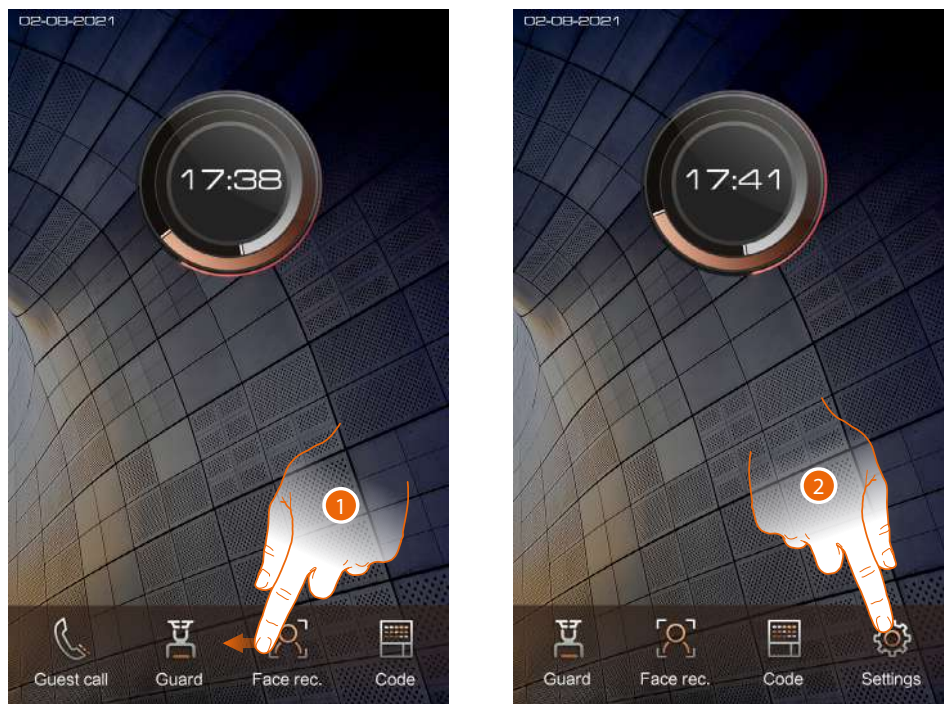


A beep will confirm the correct recognition of the fingerprint and the door lock will open.

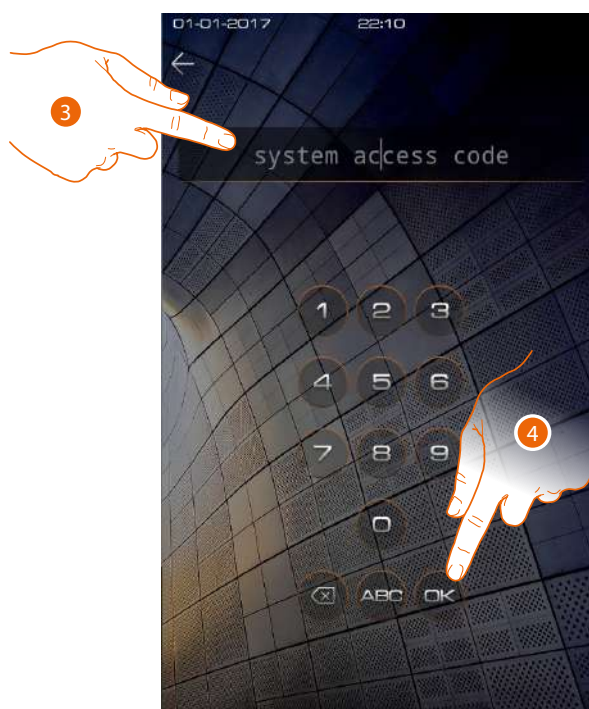
Configurations using the device (Settings)

In this section, it is possible to perform a wide range of configurations that will enable you to make the most of your EP.

Access to this section is protected by a password which can be set by the SW



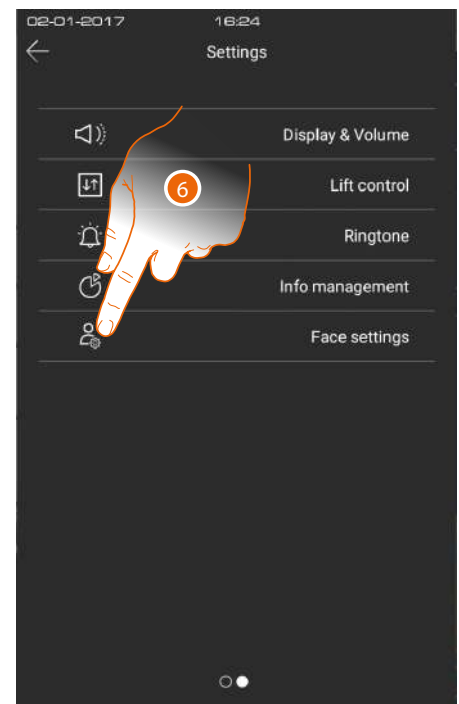
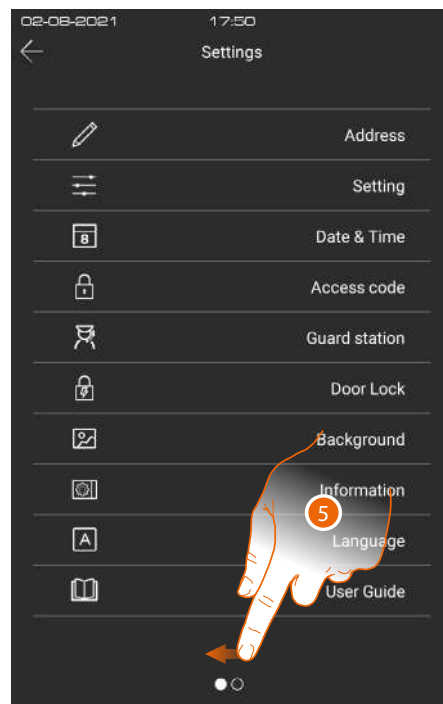
1. Scroll to display the complete menu bar
2. Touch to access the Settings section













3. Enter the system code to access the configuration section (default 2000)

Note: for safety reasons, modify the code.

4. Touch to confirm



5. Scroll to display all the functions
6. Touch the icon for the desired configuration, choosing among:

	<u>Address</u>	It displays various device parameters and performs the reset command
	<u>Setting</u>	It enables different functions
	<u>Date and time</u>	It sets the date and time
	<u>Access code</u>	It sets the access code in the Setting menu and the local access code to open the gate
	<u>Guard station</u>	It sets the EP reference GS
	<u>Door lock</u>	It sets different parameters of the EP door lock
	<u>Background</u>	It sets the interface background
	<u>Information</u>	It displays different information on the device
	<u>Language</u>	It sets the interface language
	<u>User guide</u>	It displays the QR code to download the manual



Display & Volume It sets some display parameters and the ringtone volume



Lift control It sets the Lift control system parameters



Ringtone It displays the ringtones



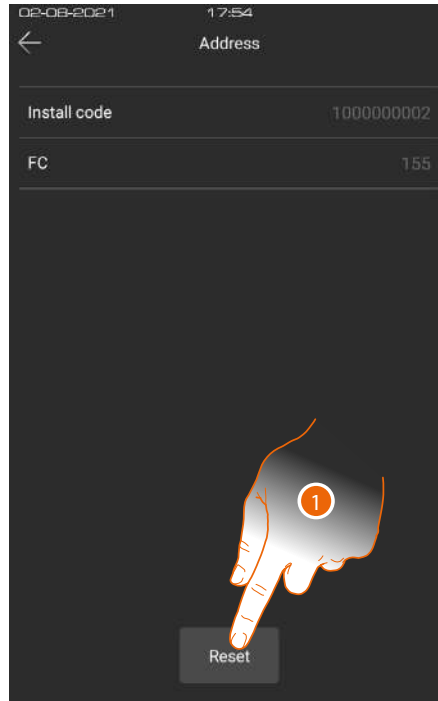
Information management It displays information about messages in progress



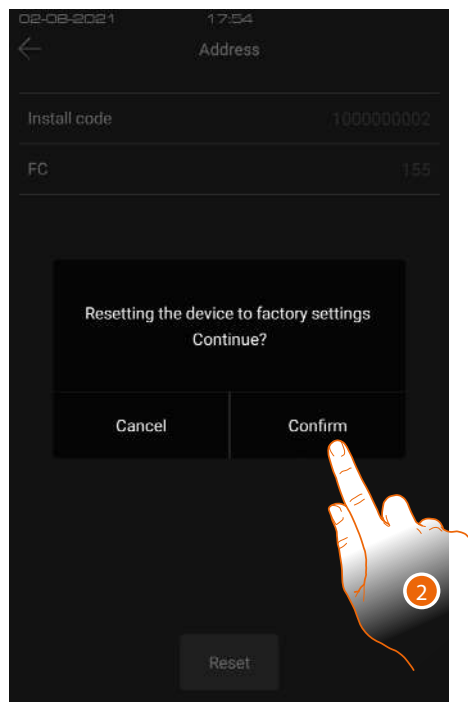
Face settings It sets the parameters for the Face Recognition

Address

In this section, it is possible to display the different device parameters. It is also possible to restore the factory settings of the device.



1. Touch to reset the device

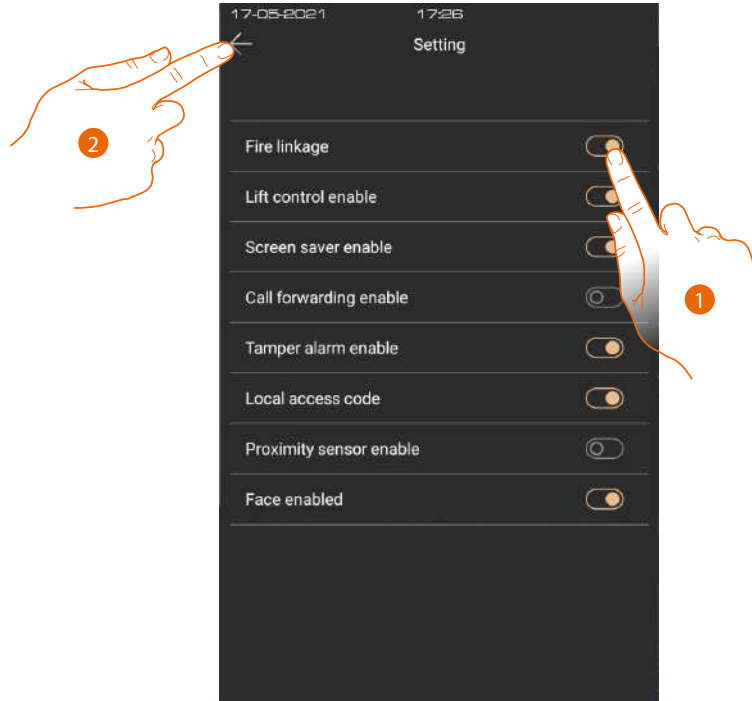


2. Touch to confirm

Warning: after confirmation, all customisations will be deleted and the parameters will be restored to factory values

Setting

In this section it is possible to enable different types of functions.



1. Touch to enable the function
2. Touch to save the setting

Fire linkage	<u>It enables the Fire-fighting function</u>
Lift control enable	<u>It enables the Lift control</u>
Screen saver enable	It enables the screen saver
Call forwarding enable	It enables the call forwarding to the GS
Tamper alarm enable	It enables the EP tamper alarm, to protect the EP from removal by intruders
Local access code	It enables the customised local code to access the building
Proximity sensing enable	It enables the proximity sensor to activate automatically the display and its functions
Face enable	It enables the Face Recognition

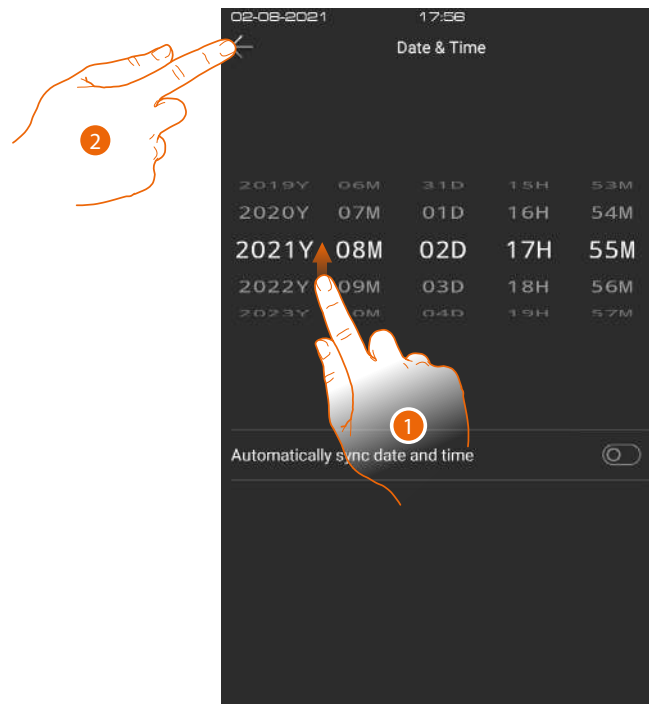
Date and time

As default all the devices on the system have date and time aligned with those of the SD. However, it is possible to set the date and time of the single device in this section

Note: you can change the date&time only temporarily.

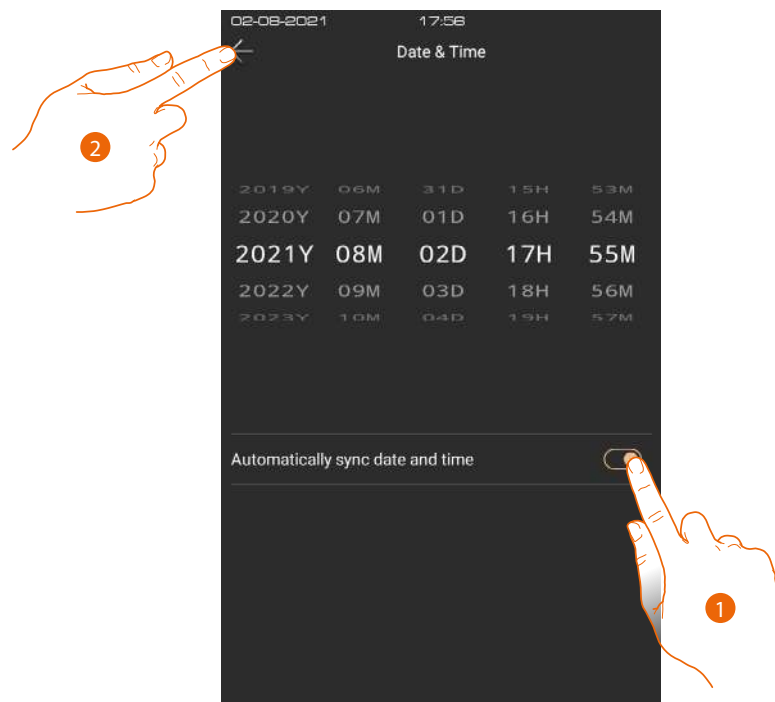
During the night the server will realign date&time to the system datas.

Manual setting



1. Scroll to select year, month, day, hour and minutes
2. Touch to save the setting

Automatic setting

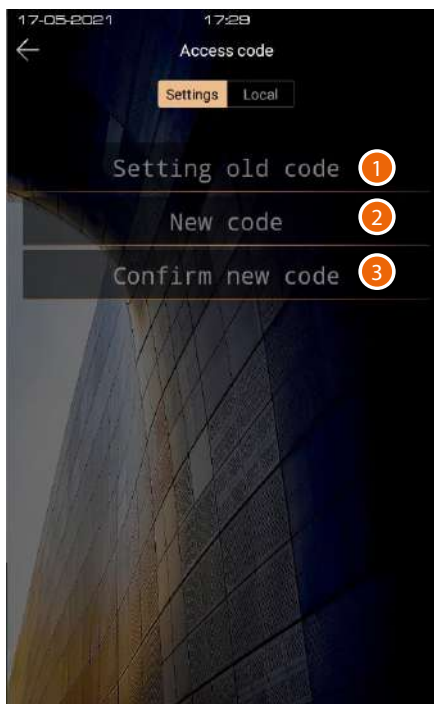


1. Touch to enable the automatic time and date update
2. Touch to save the setting

Access code

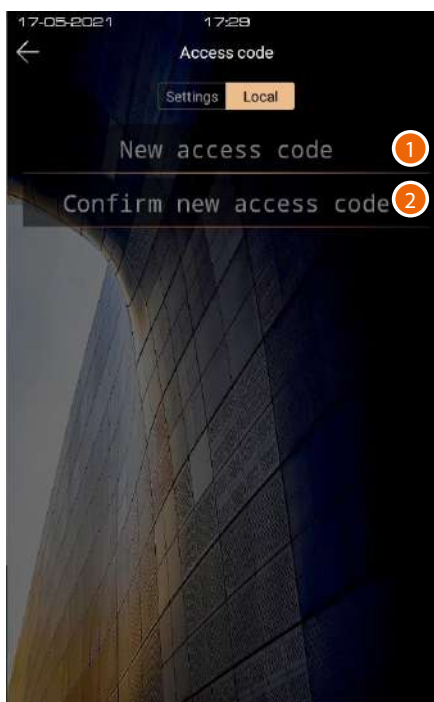
In this section it is possible to set the access code in the Setting menu and the access code to enter the building

Settings



1. Enter the old code
2. Enter the new code
3. Enter again to confirm

Local

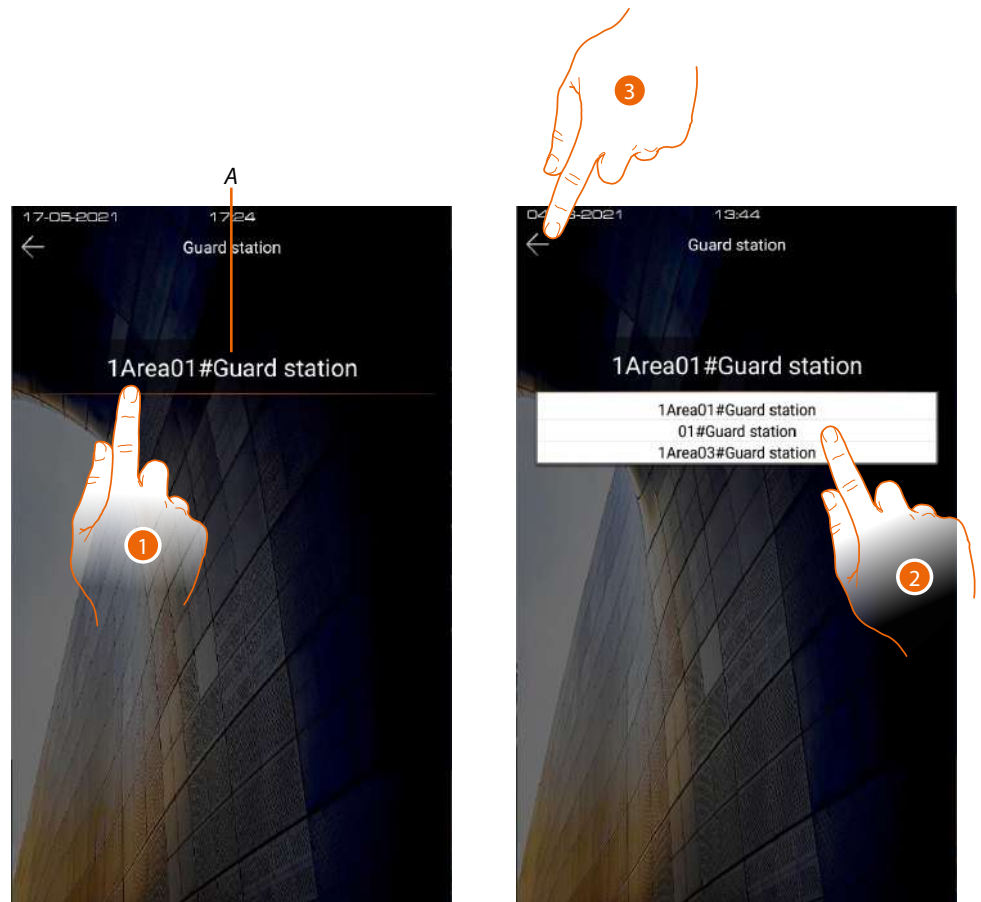


1. Enter the new code (6 digits)
2. Enter again to confirm

Guard station

In this section it is possible to set the EP reference GS.

The reference GS intercepts and manages the calls to the IU or anyone called directly by pressing the pushbutton on the Home page (see the [Call a GS](#) section)



A Address of the current reference GS

1. Touch to modify the reference GS
2. Select the new GS
3. Touch to save the setting

Door lock

In this section it is possible to set different parameters of the EP door lock

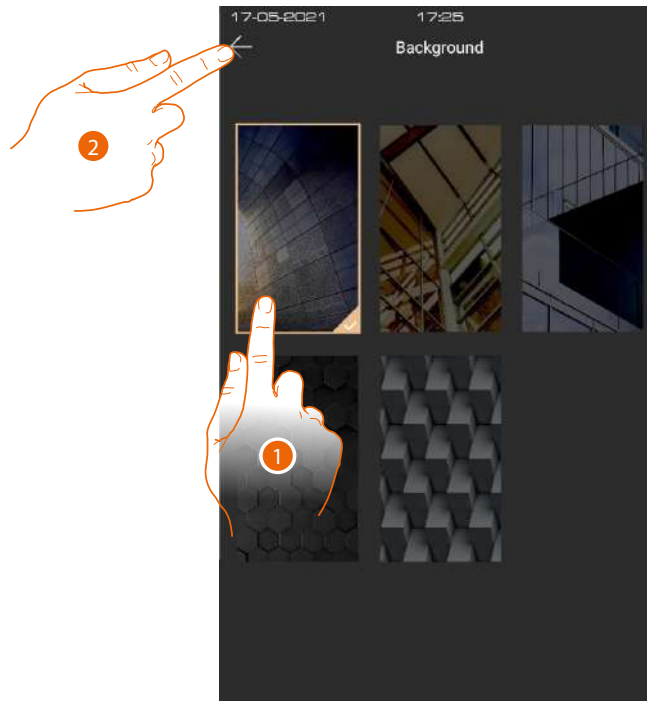


A *It restores the factory settings*

1. **Door Status**
 The Door Status function allows to receive door status notifications, and therefore a warning when the door is left open.
 To use this function, a clean contact in the GND SENSE input clamp is required.
 Touch to set a door status alarm:
 NO = sends an alarm when the contact remains open for more than 2 minutes
 NC = sends an alarm when the contact remains closed for more than 2 minutes
 Not used never sends alarm
 The alarm is displayed on both the SSDES and GS
2. **Door Lock**
 The lock connected to the Lock+ / Lock- clamps can be controlled using pulse or timed commands
 Touch to set the timed mode
3. Touch to set the impulsive mode
4. Enter the contact activation time in seconds
5. Touch to save the setting

Background

In this section it is possible to set the interface background

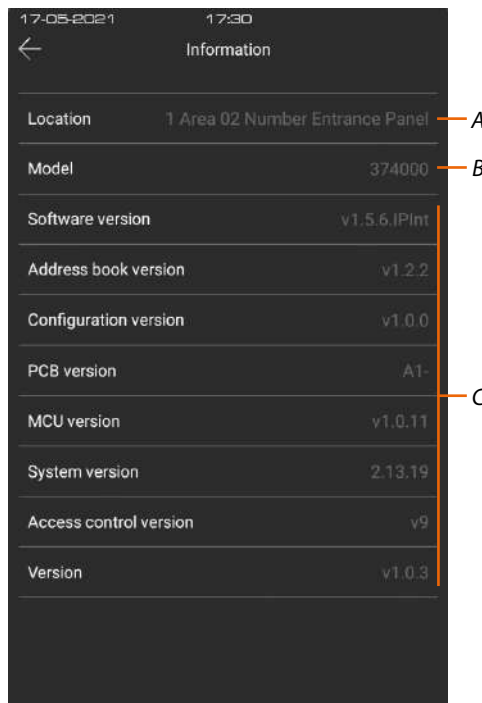


1. Select the background
2. Touch to save the setting

Note: it is possible to select other backgrounds or create new ones using the SW

Information

In this section it is possible to display different information on the device



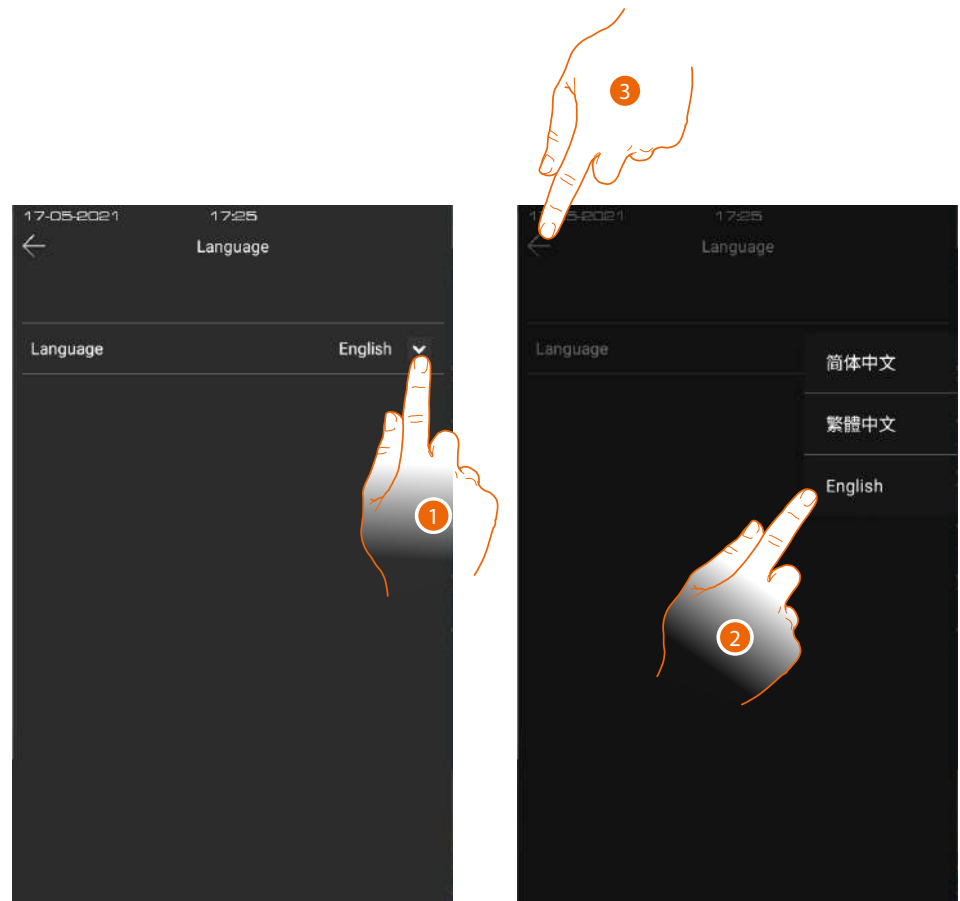
A Device address

B Item code

C Versions of the different device components

Language

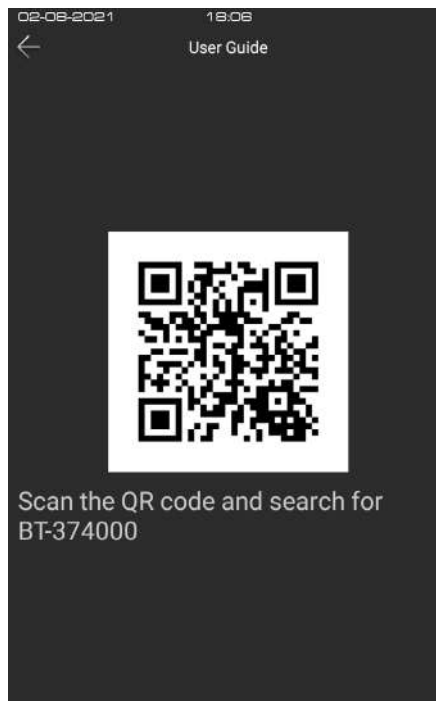
In this section it is possible to set the interface language



1. Touch to open the language selection panel
2. Select the language
3. Touch to save the setting

User guide

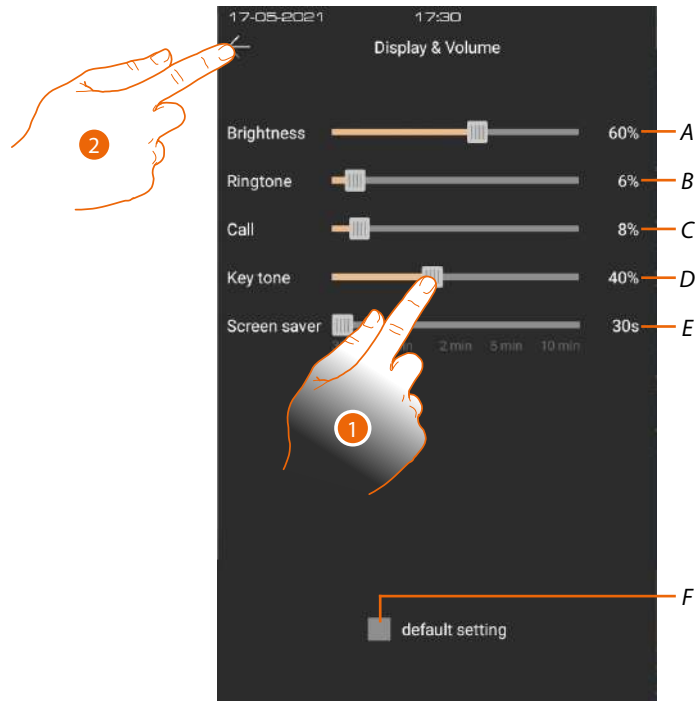
In this section it is possible to download this manual using the QR code



1. Using a smartphone, scan the QR Code
2. Search for the 374000 374002 code
3. Download the manual

Display & Volume

In this section it is possible to set some display parameters and adjust the ringtone volume



A It adjusts the brightness (backlighting)

B It adjusts the ringtone volume

C It adjusts the call volume

D It adjusts the tone volume when a key is pressed

E It adjusts the screen saver activation time

F It restores the factory settings

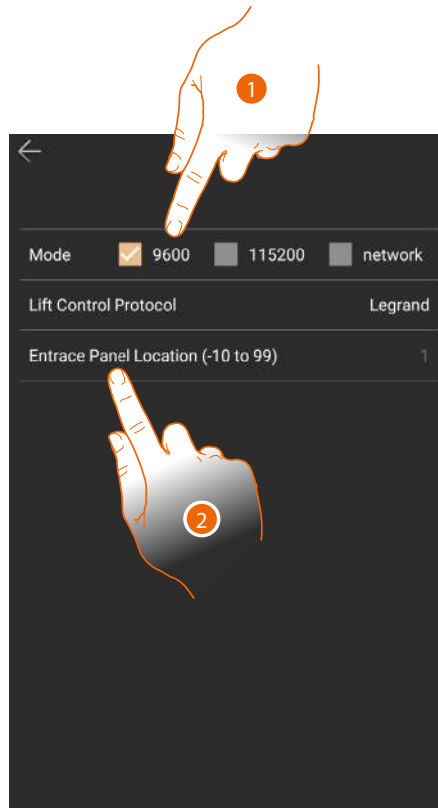
1. Touch to adjust the parameters

2. Touch to save the setting

Lift control

In this section it is possible to set some [Lift Control system](#) parameters

Master mode

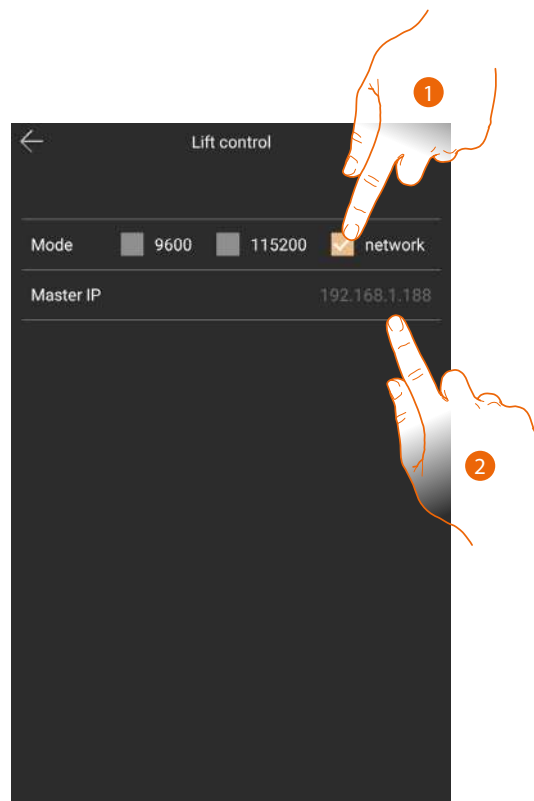


1. Select if the EP is Master (9600 or 115200), i.e. directly connected with the lift interface via RS485 (for interface 375010 select 9600)
2. Select the floor where the EP is located

It is possible to display some wiring diagram examples in the [Example diagrams/lift control](#) section

For more information, see the «Lift Control Interface item 375010 software manual»

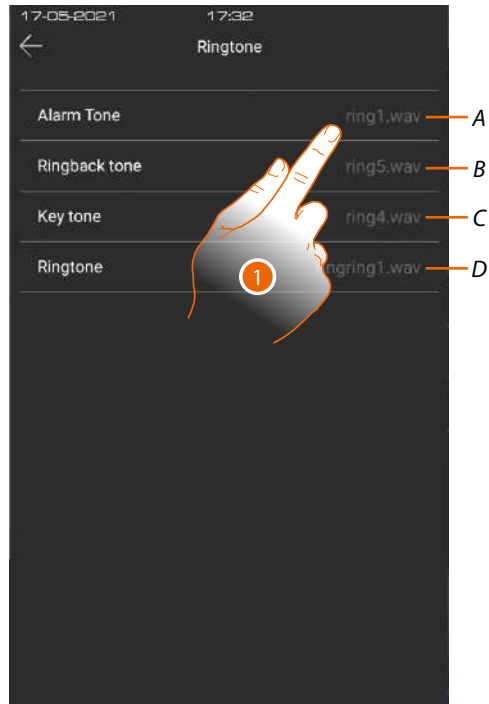
Slave mode



1. Select if the EP is Slave, i.e. not directly connected with the lift interface via RS485 but uses another EP as gateway.
2. Enter the IP address of the Master EP (only if EP is slave)

Ringtone

In this section it is possible to listen to the tones associated to the different types of ringtones or other.



- A Alarm tone
 - B Call in progress tone (ringback)
 - C Confirmation key tone
 - D Ringtone not used (future use)
1. Touch to listen to the tone

Info management

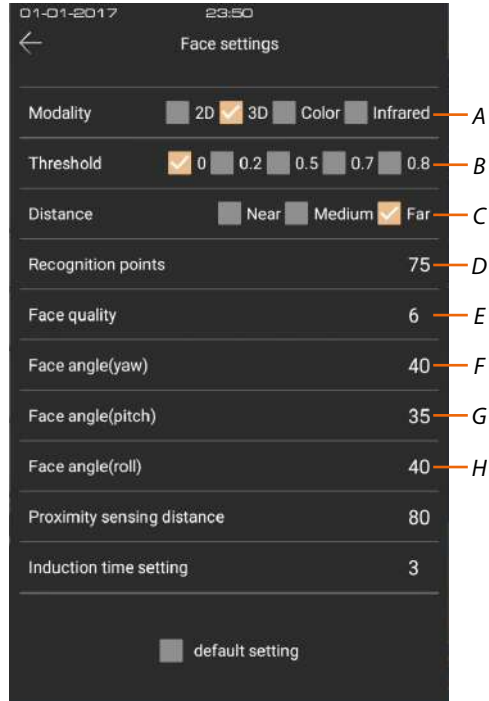
In this section it is possible to display the information about messages in progress

ID	title	Message time	Expiration date
1	Commun...	20.05.2021	1 day

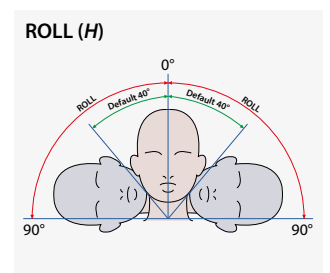
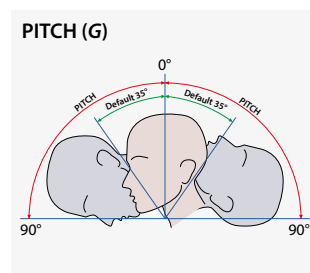
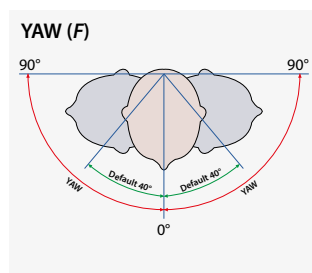
- A* Message availability time (expiration date)
- B* Time of message appearance
- C* Type of message (title)
- D* Number of the message (ID)

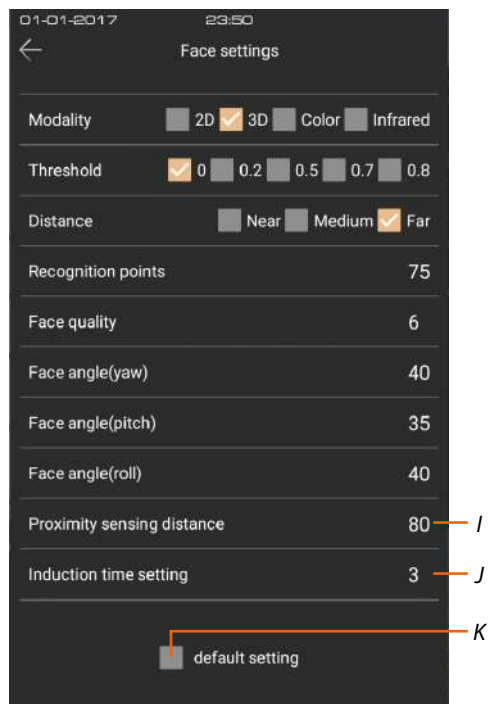
Face settings

In this section it is possible to set some Face Recognition parameters



- A Camera operating modes:
2D - in this mode, the depth of the image is not checked, and so showing a photograph opens the EP lock
3D - in this mode, the depth of the image is checked, so recognition is only confirmed if someone is in front of the EP (DEFAULT)
Colour - in this mode, the face is only checked by the colour camera (DAY)
Infrared - in this mode, the face is only checked by the infrared camera (NIGHT)
- B *Sets the level of face recognition accuracy and therefore the degree of security.
 0= lower level of accuracy and security
 0.8= higher level of accuracy and security (higher possibility of failed recognitions)
- C Set the distance for the face recognition
- D Enter the number of recognition points to accept the face
- E Enter the minimum image quality to accept the recognition
- F *Maximum angle of face rotation (left/right in relation to the frontal position), for which facial recognition is performed.
 If the rotation is greater, the face is not recognised.
- G *Maximum angle of face inclination (left/right in relation to the frontal position), for which facial recognition is performed.
 If the inclination is greater, the face is not recognised.
- H *Maximum angle of face inclination (up/down in relation to the frontal position), for which the facial recognition is performed.
 If the inclination is greater, the face is not recognised.





I Enter the distance from the proximity to activate the recognition function

J Enter the time from when the Home Page appears to when the Face recognition function starts
During the face recognition, any other operation is inhibited, even the call.
This time is important if the Face recognition is unsuccessful. You must thus set a time which is long enough for you to be able to call the IU before the Face recognition function reactivates.

K Restore the factory settings

***Note:** Only change these parameters if absolutely necessary

