



	<p>Earthed Messa a terra A tierra (clase 1) Mise à la terre Geaarde Geerdet</p>	
	<p>Correct Corretto Correcto Correct Juist Richtig</p>	
	<p>Wrong Sbagliato Falso Faux Niet correct Falsch</p>	
	<p>Reference Riferimento Atención Référence Kennisgeving Hinweis</p>	
	<p>Recycling Riciclabile Recyclable Recyclage Recycling Recycling</p>	



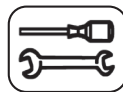
PH1/2



8x1,2



D8



T20



SW10/13



ABB

System pro E energy L IP43

**GB INSTALLATION AND MAINTENANCE INSTRUCTIONS**

The operations for the installation, putting into service and routine and emergency maintenance of the unit must be performed by qualified personnel with a detailed knowledge of the unit.

ABB declines all responsibility for injury to people or damage to property resulting from a failure to comply with the instructions set out in this document.

Don't hesitate to contact ABB for any further information you may require.

IT ISTRUZIONI PER L'INSTALLAZIONE E LA MANUTENZIONE

Le operazioni di installazione, messa in servizio ed eventuale manutenzione ordinaria e straordinaria devono essere effettuate da personale qualificato, che abbia una conoscenza dettagliata dell'apparecchiatura.

ABB declina ogni responsabilità per danni a cose e persone dovute alla mancata osservanza delle istruzioni contenute in questo documento.

Per qualsiasi esigenza contattare ABB.

ES INSTRUCCIONES DE INSTALACIÓN Y MANTENIMIENTO

Las operaciones de instalación, puesta en servicio y mantenimiento ordinario y extraordinario deben ser efectuadas por personal calificado, que posea un conocimiento del aparato.

ABB declina toda responsabilidad por daños a cosas y personas debidos al incumplimiento de las instrucciones contenidas en este documento.

Para cualquier exigencia ponerse en contacto con ABB.

FR INSTRUCTIONS POUR L'INSTALLATION ET L'ENTRETIEN

Les opérations d'installation, de mise en service et, éventuellement, d'entretien ordinaire et extraordinaire doivent être effectuées par du personnel qualifié, ayant une connaissance approfondie de l'appareillage.

ABB décline toute responsabilité en cas de dommages causés à des personnes ou des biens dus au non-respect des instructions contenues dans ce document.

Pour toute exigence, contacter ABB.

NL AANWIJZINGEN VOOR DE INSTALLATIE EN HET ONDERHOUD

De handelingen voor de installatie, inbedrijfstelling en gewoon en buitengewoon onderhoud moeten verricht worden door vakbekwaam personeel, met gedetailleerde kennis van het apparaat.

ABB kan niet aansprakelijk gesteld worden voor schade of letsel veroorzaakt door de niet inachtneming van de aanwijzingen in dit document.

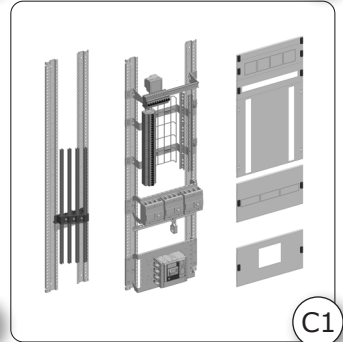
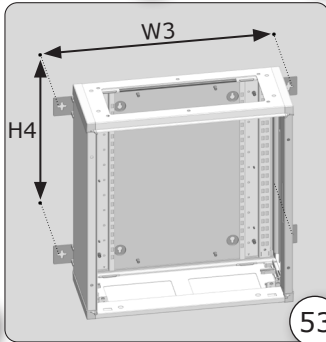
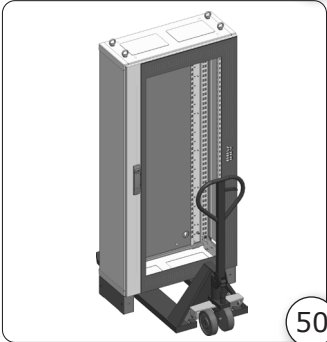
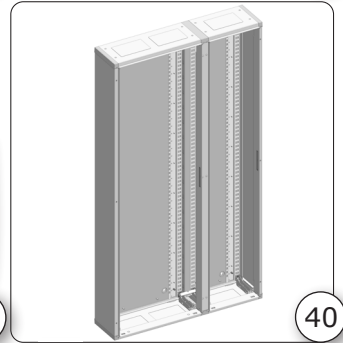
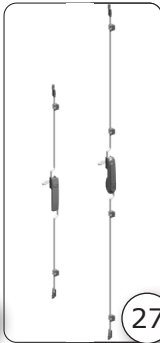
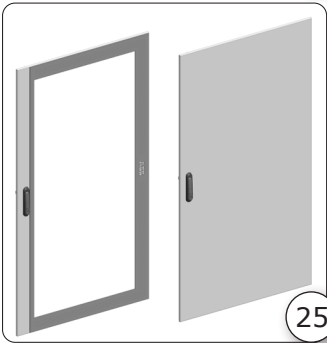
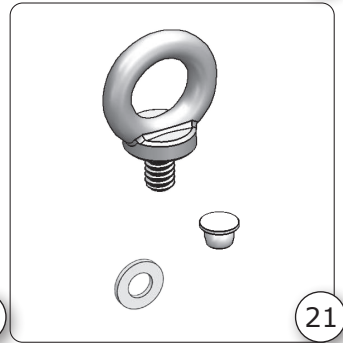
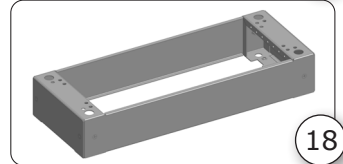
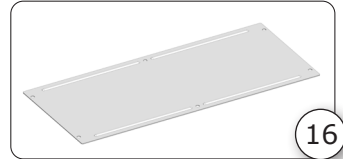
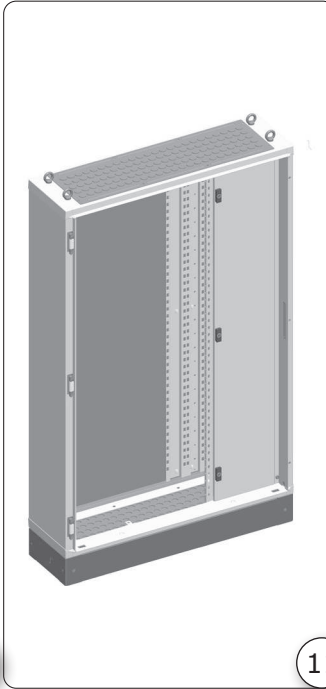
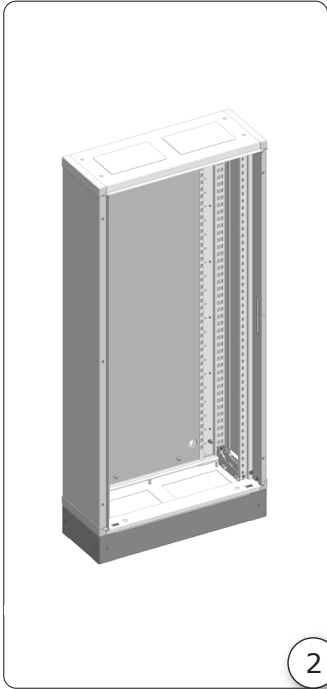
Voor nadere informatie contact opnemen met ABB.

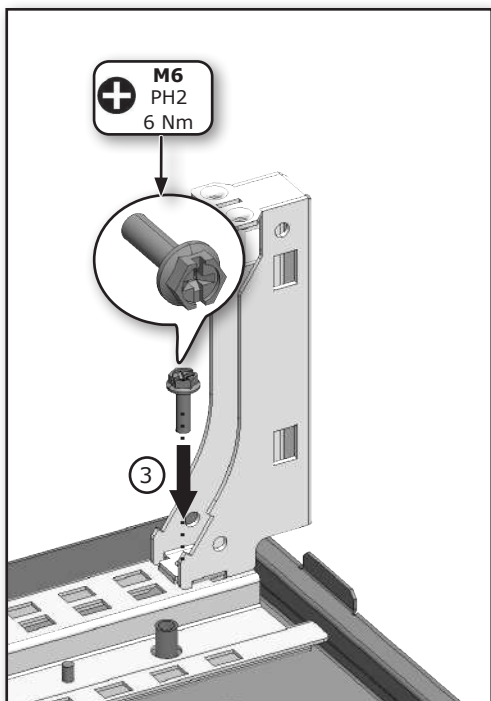
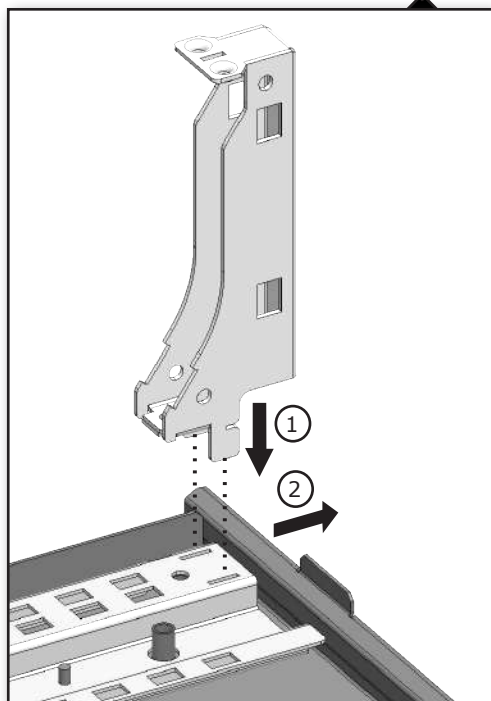
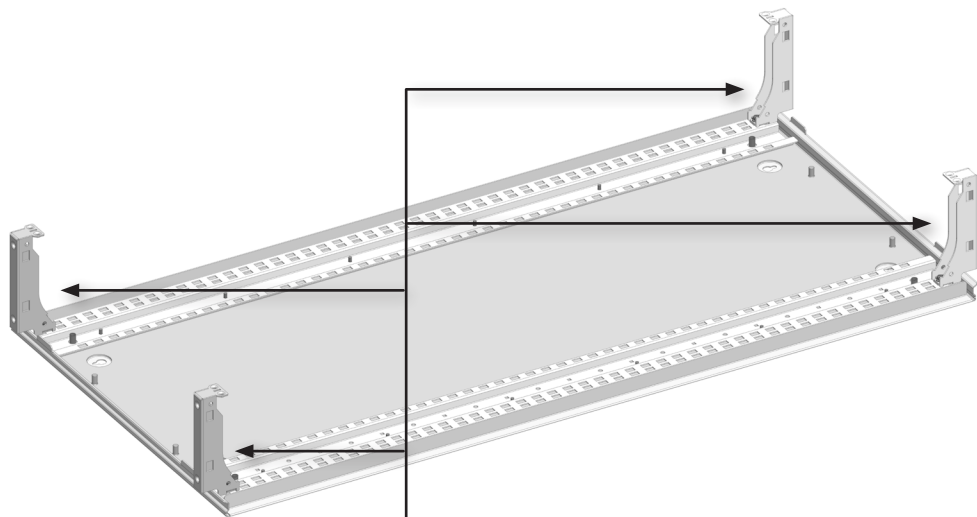
DE INSTALLATIONS- UND WARTUNGSANLEITUNGEN

Die Arbeiten für die Installation, Inbetriebnahme, Wartung und Instandsetzung müssen von Fachpersonal ausgeführt werden, das über eine eingehende Kenntnis des Geräts verfügt.

ABB haftet nicht für Schäden an Sachen oder Personen aufgrund der Missachtung der in der vorliegenden Veröffentlichung enthaltenen Anweisungen.

Wenden Sie sich bitte für alle weiteren Fragen an ABB.



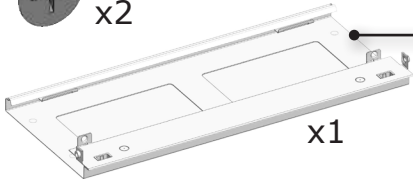


Q843T...

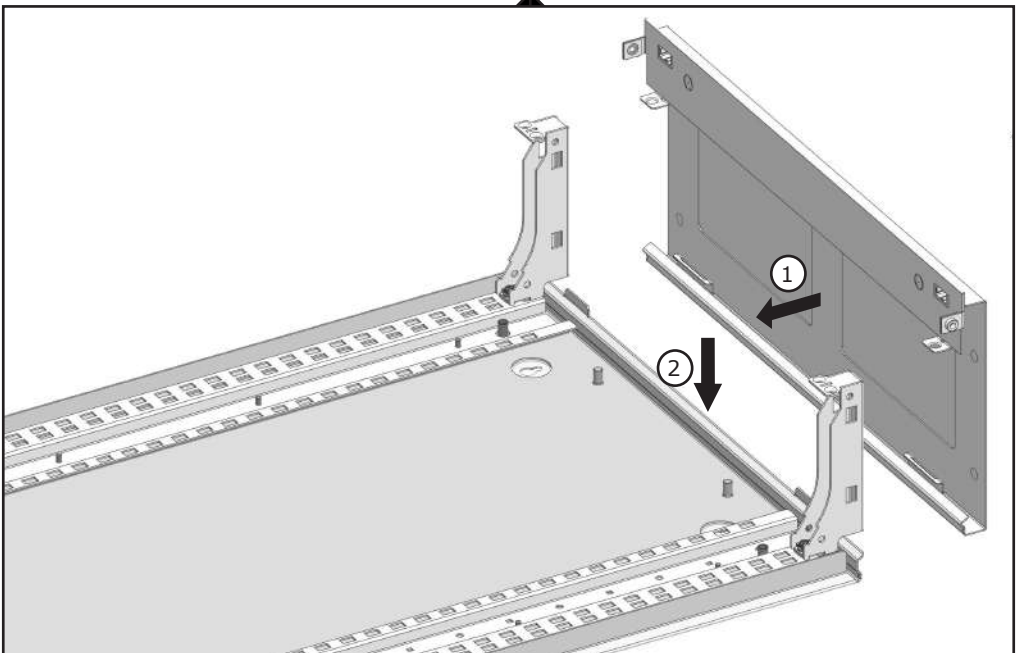
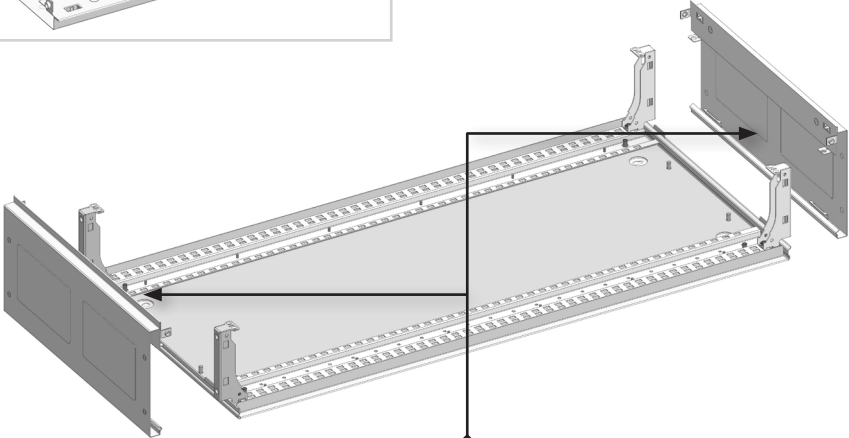
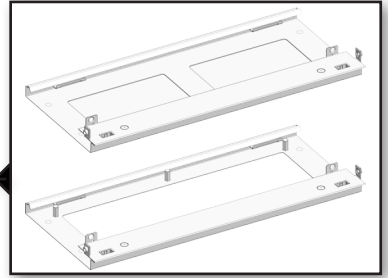
x2

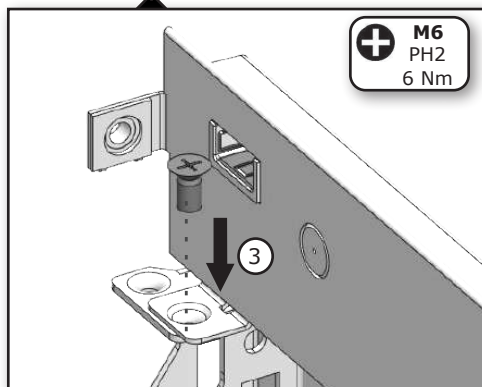
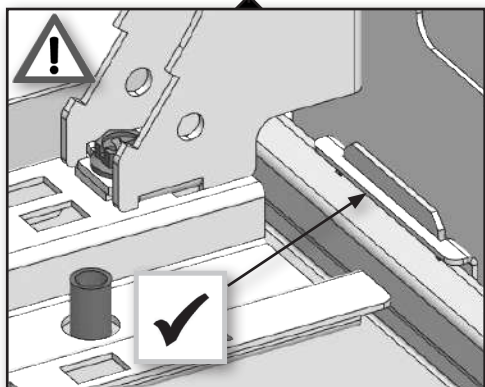
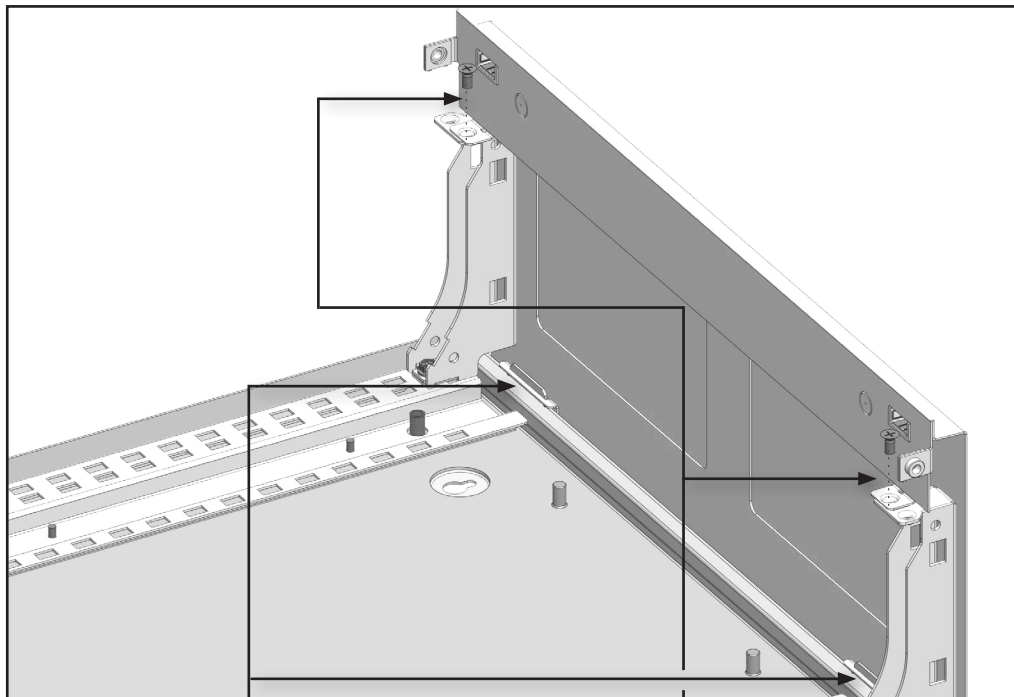


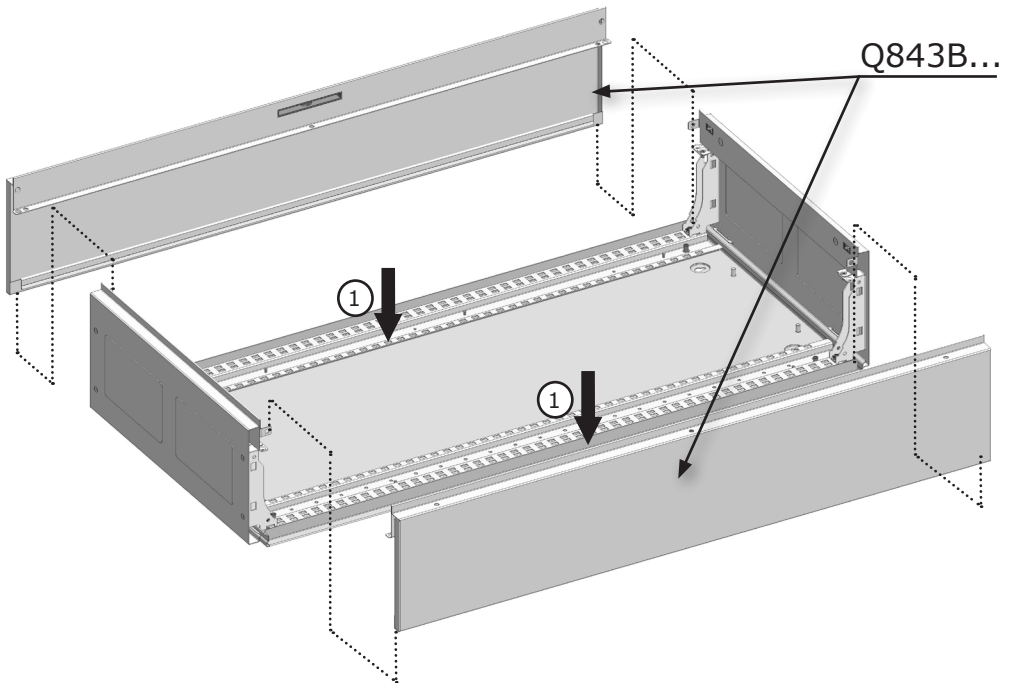
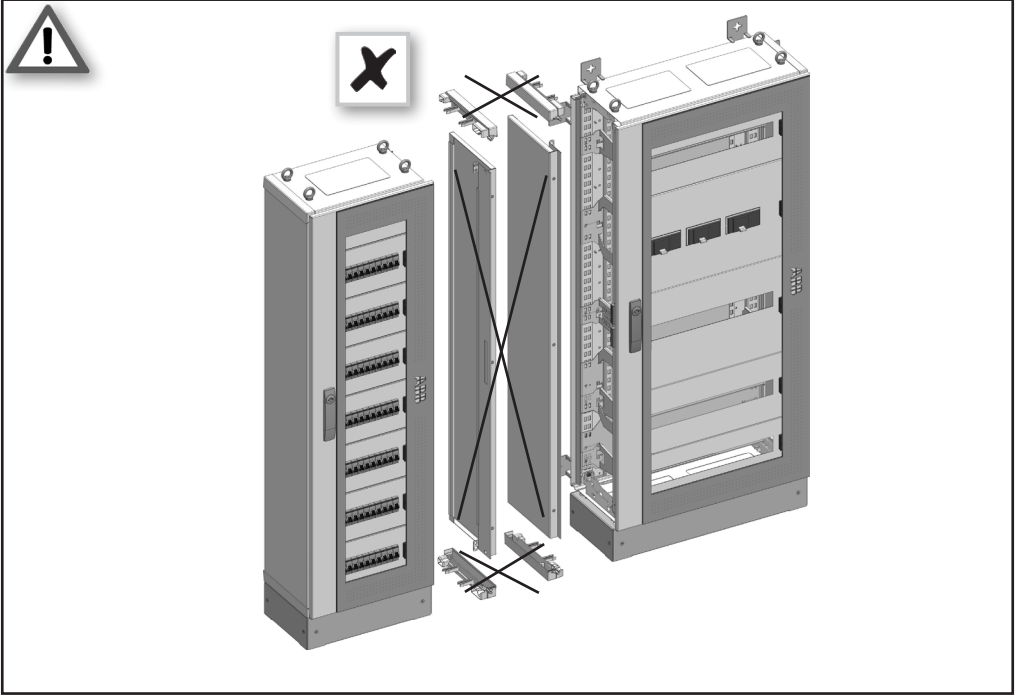
x2

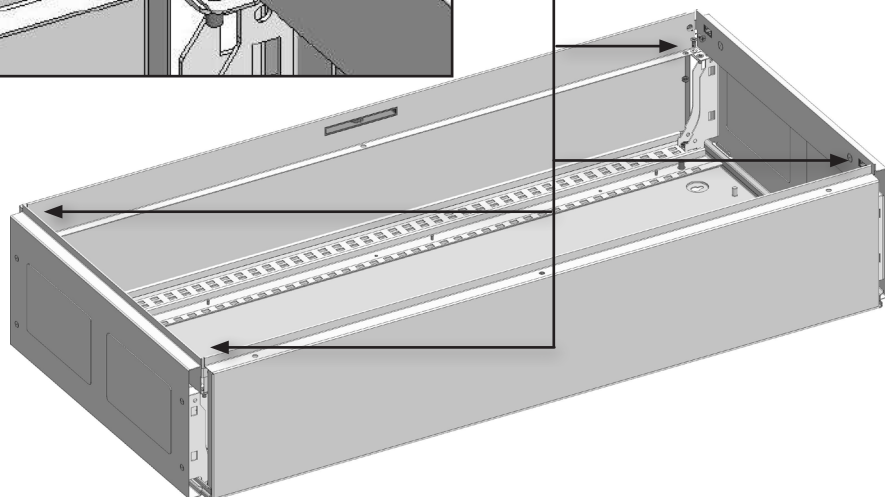
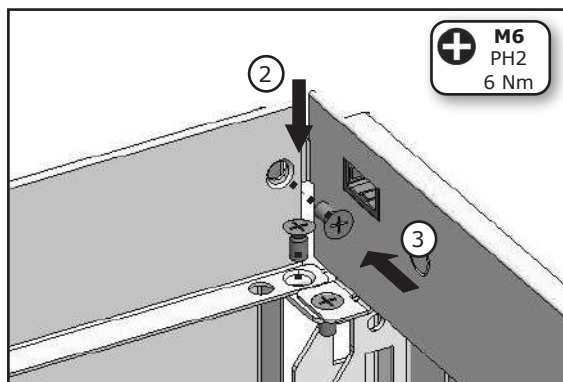
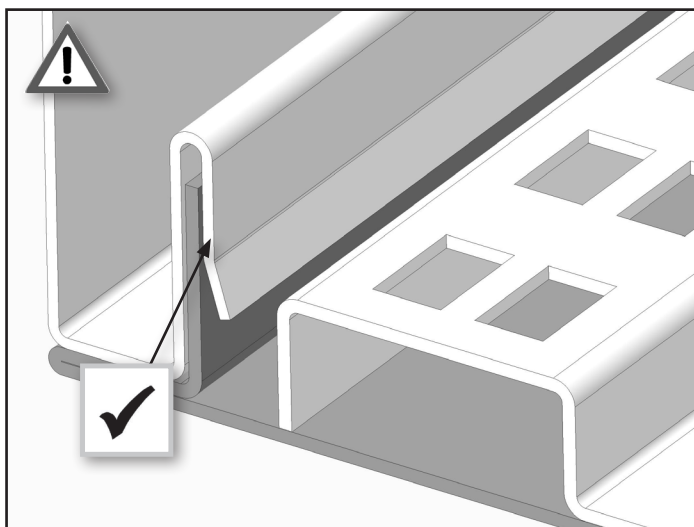


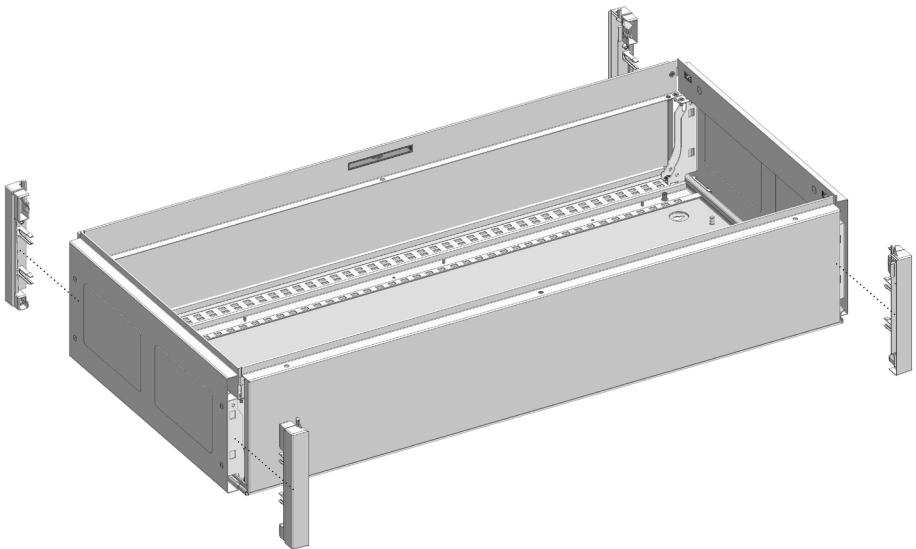
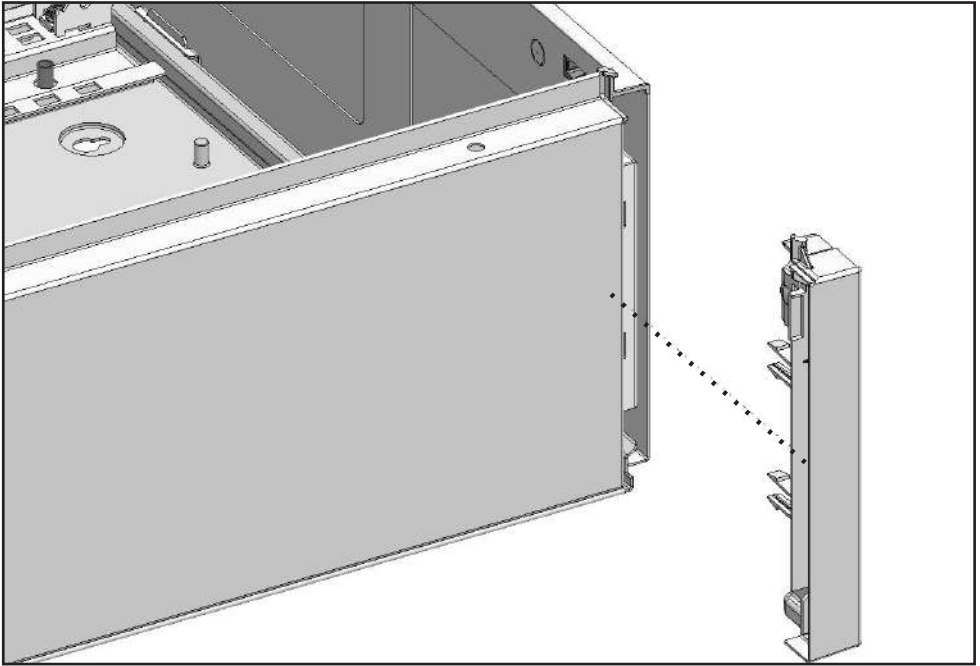
x1

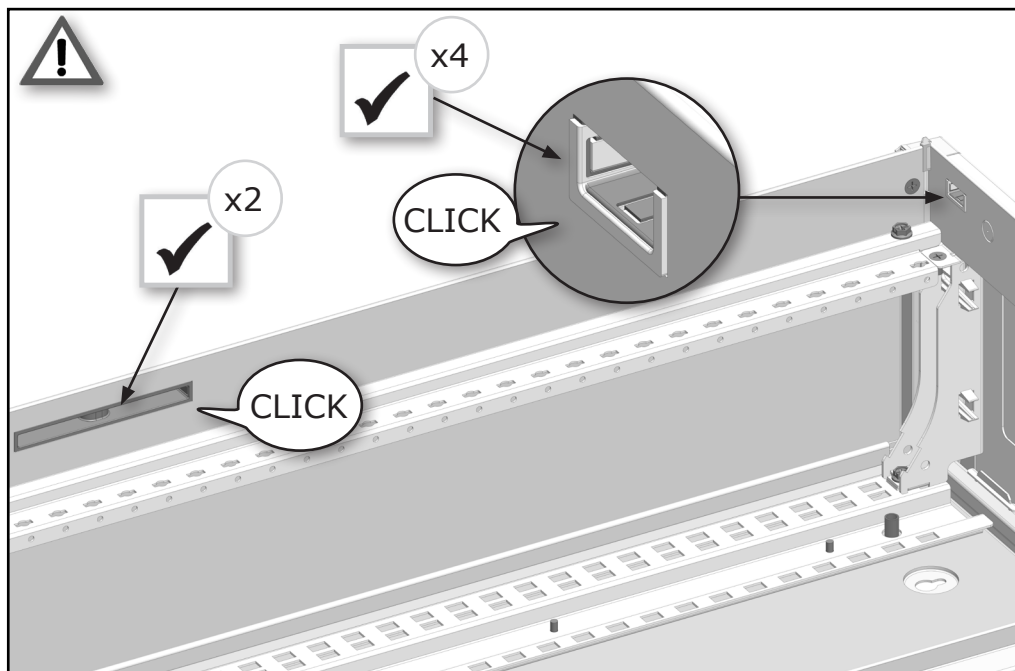
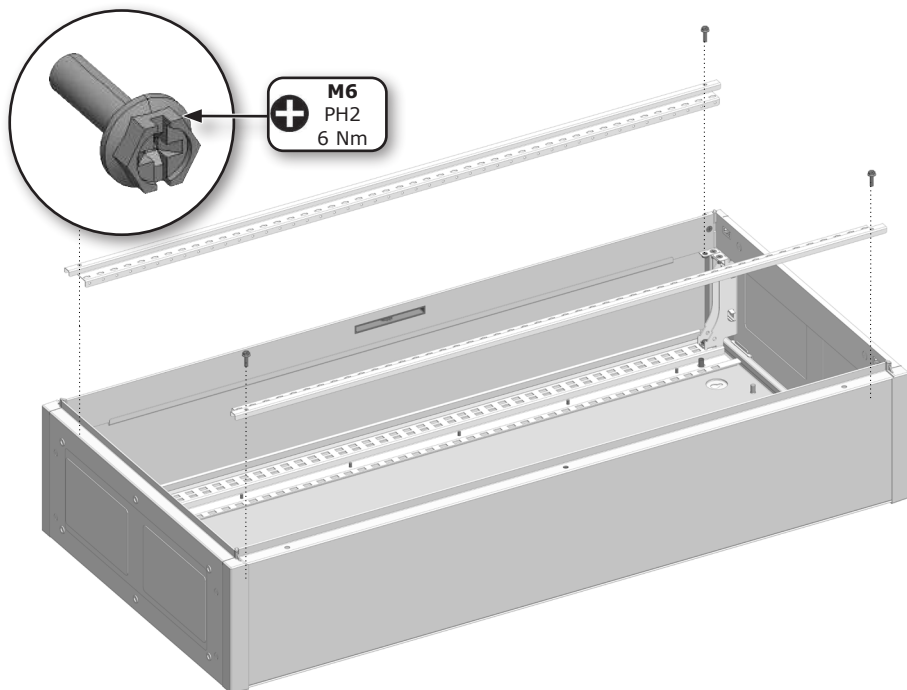


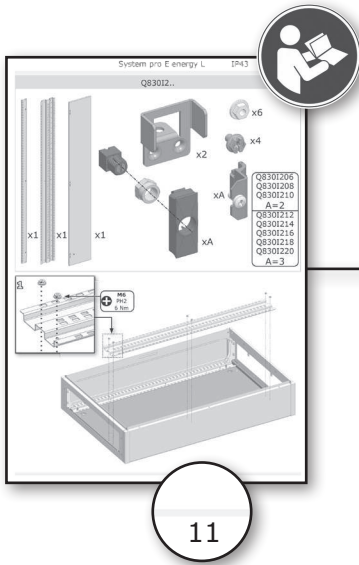




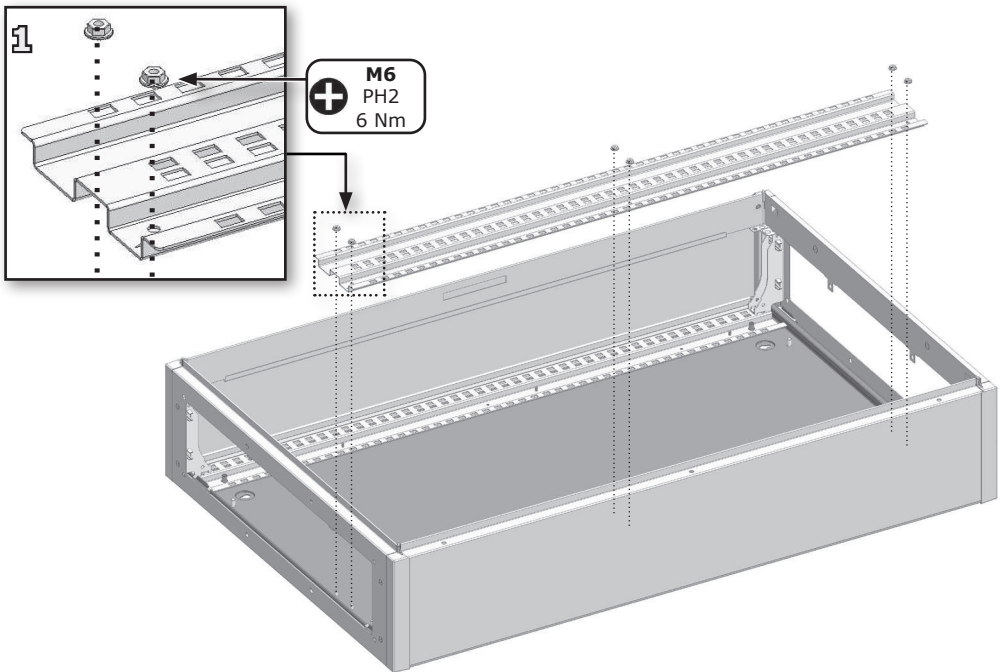
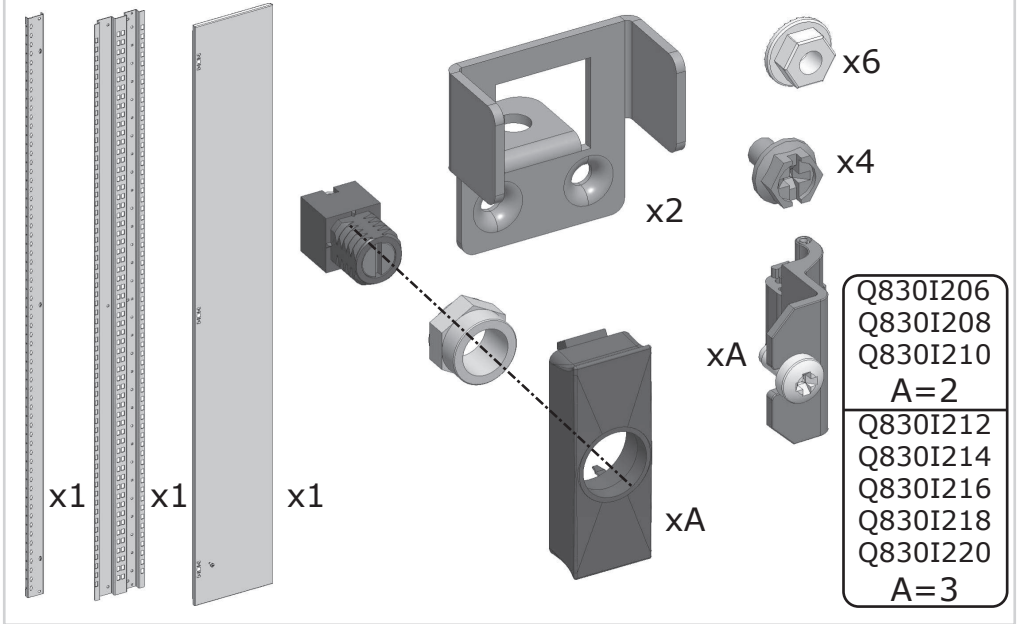




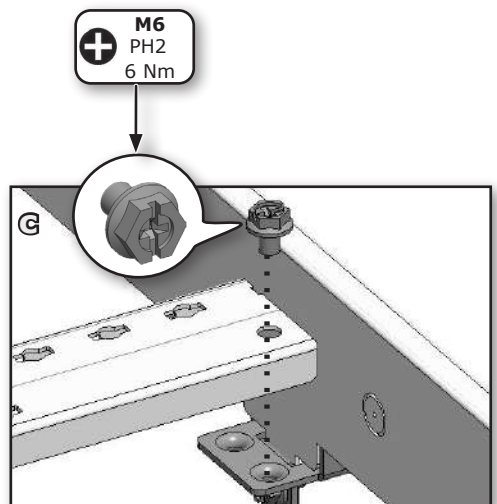
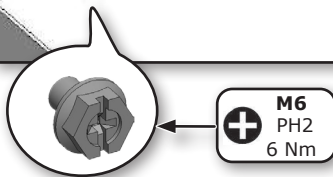
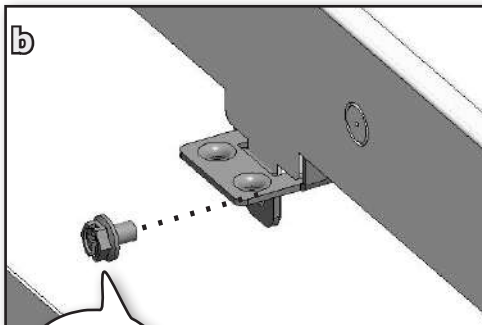
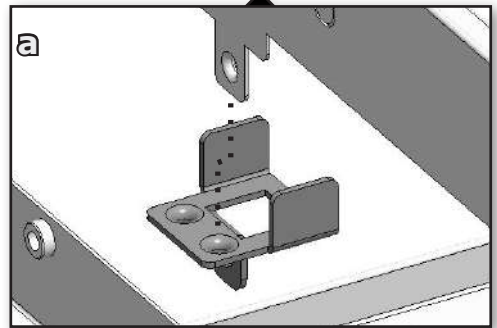
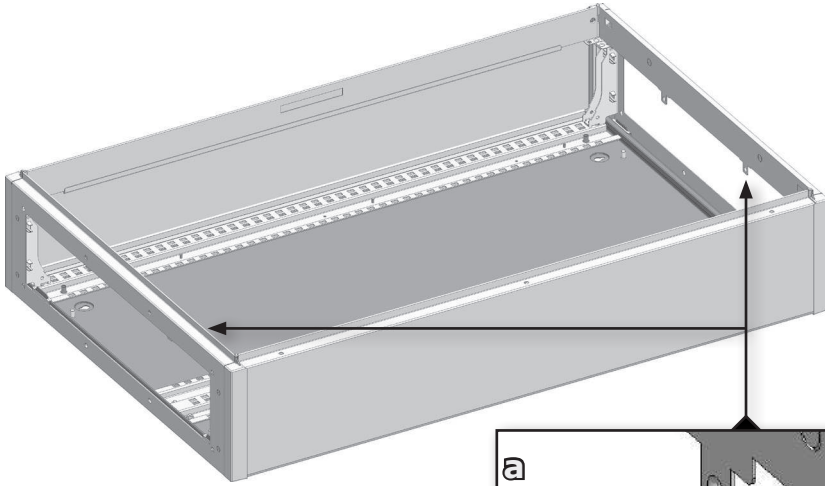


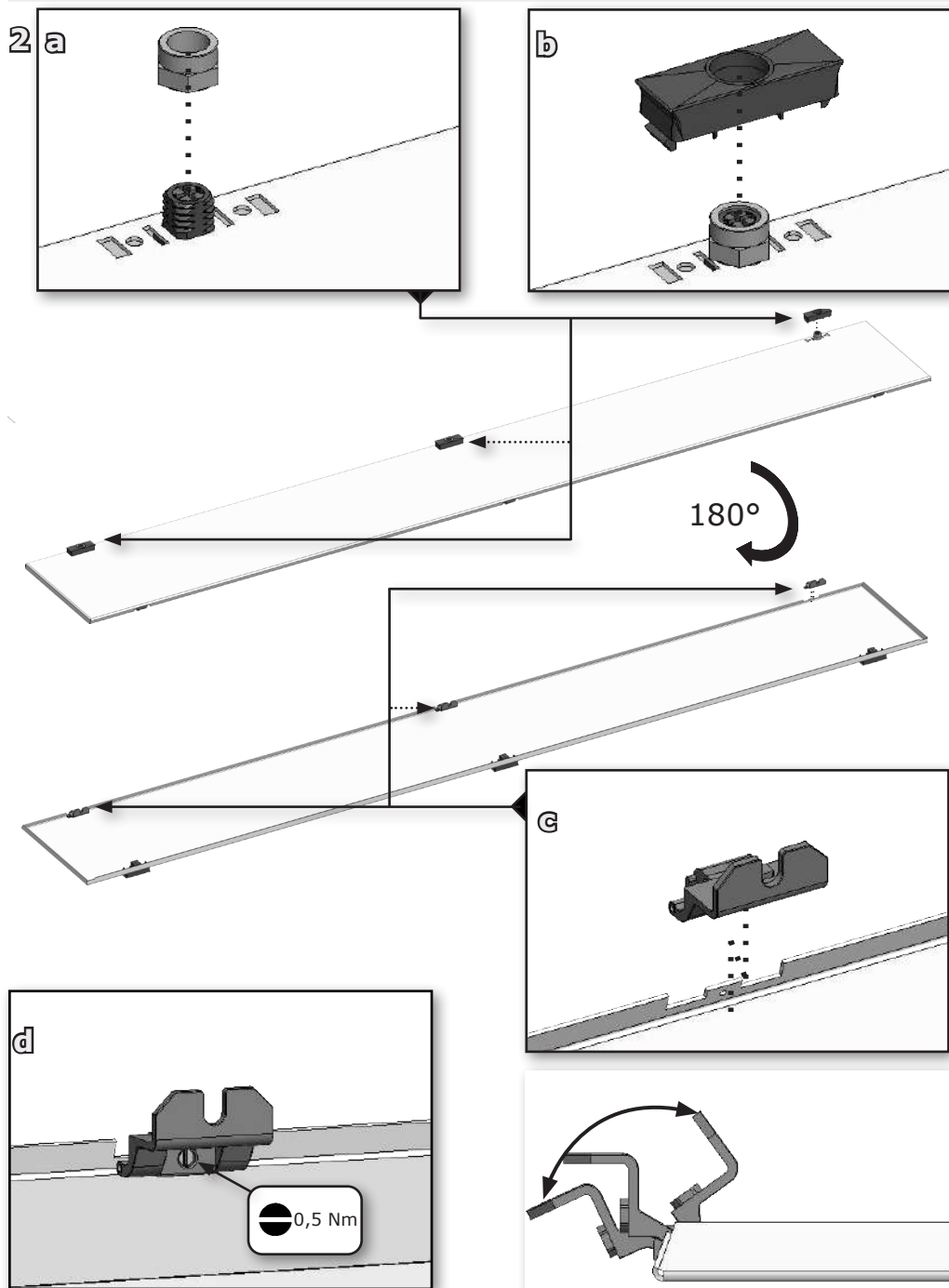


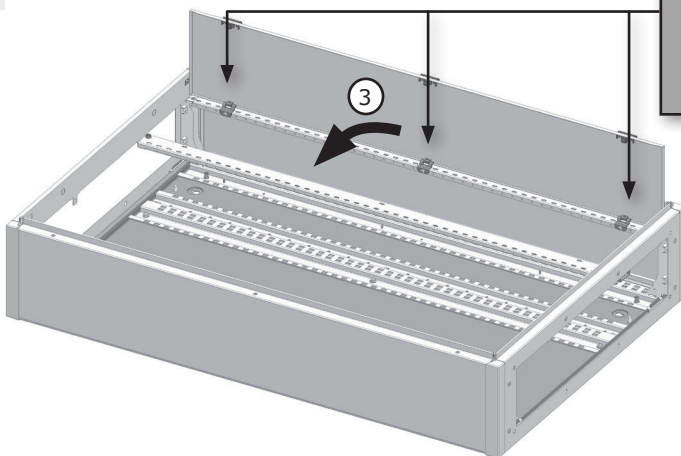
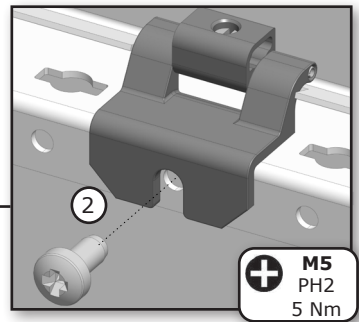
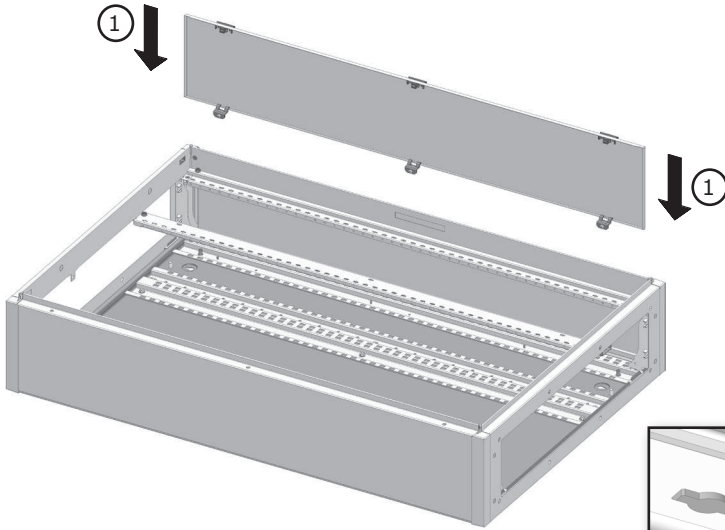
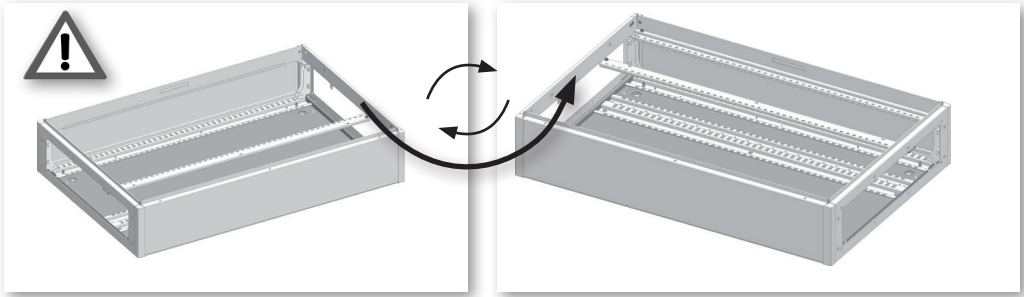
Q830I2..

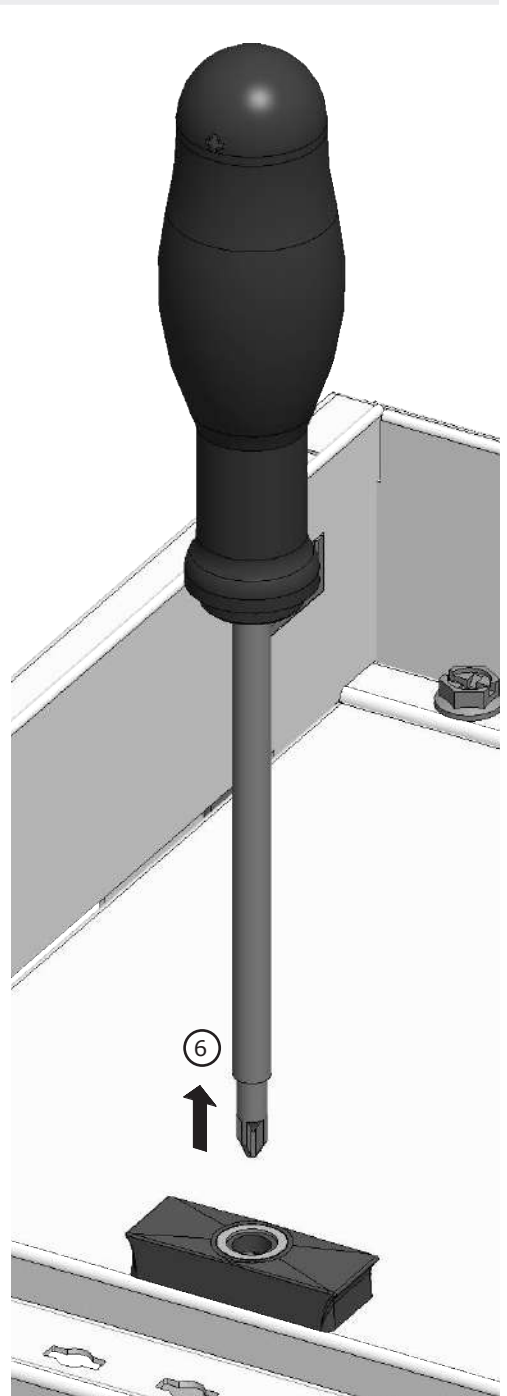
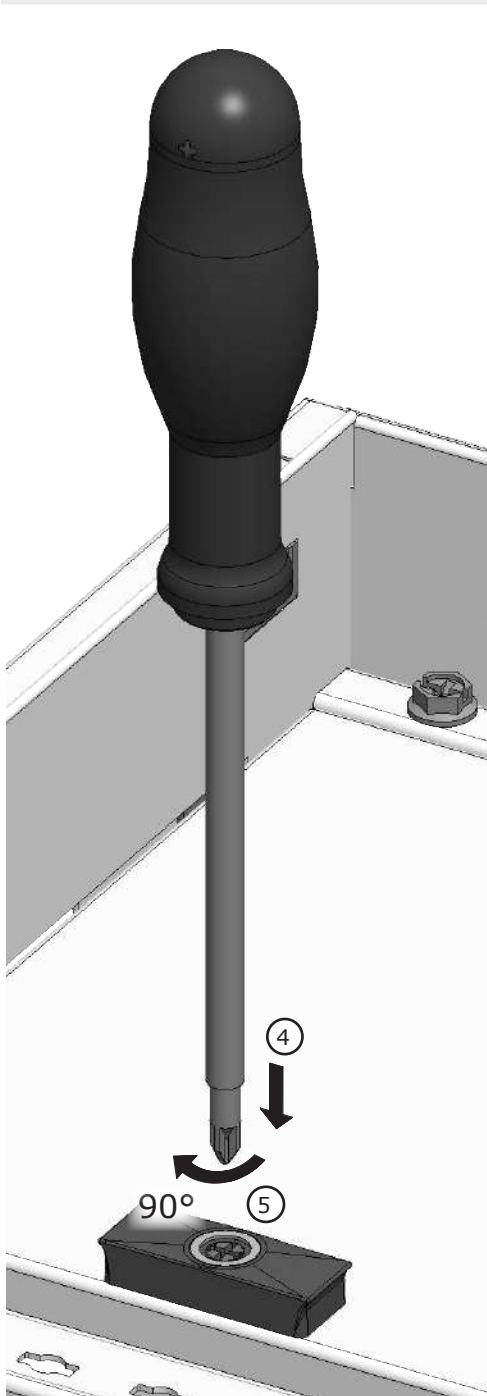


2

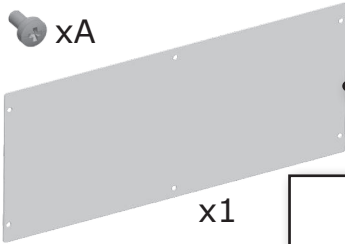








Q855F...

 xA

x1

Q855F4..

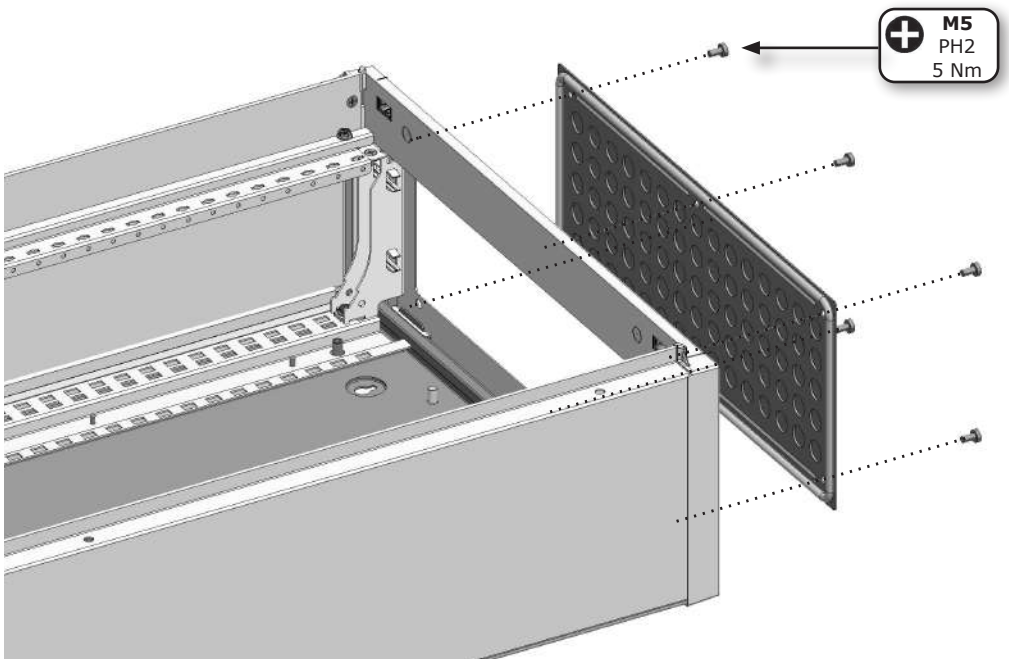
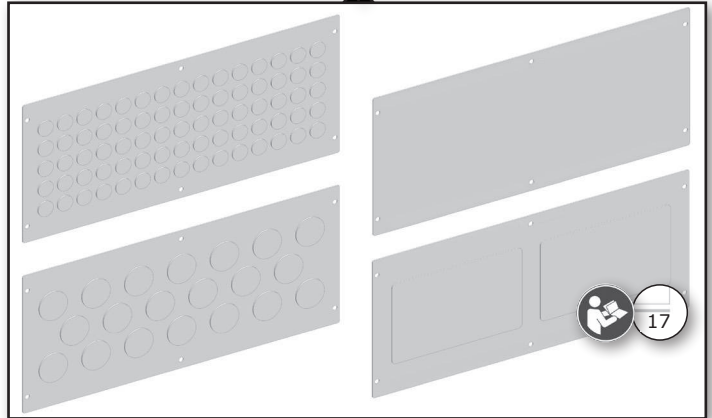
A=4

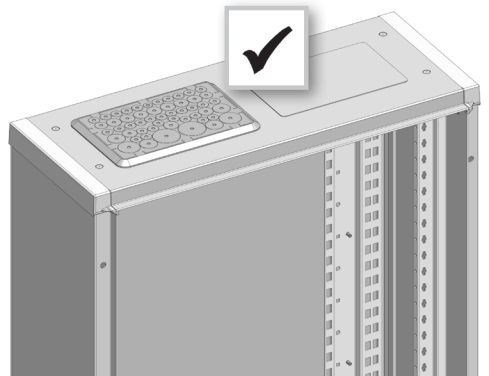
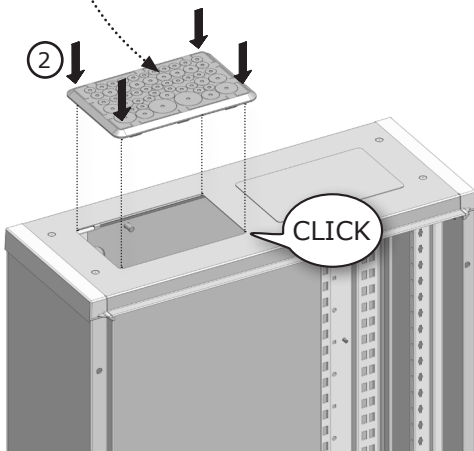
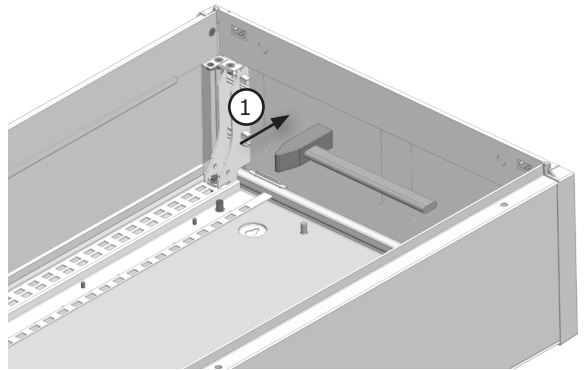
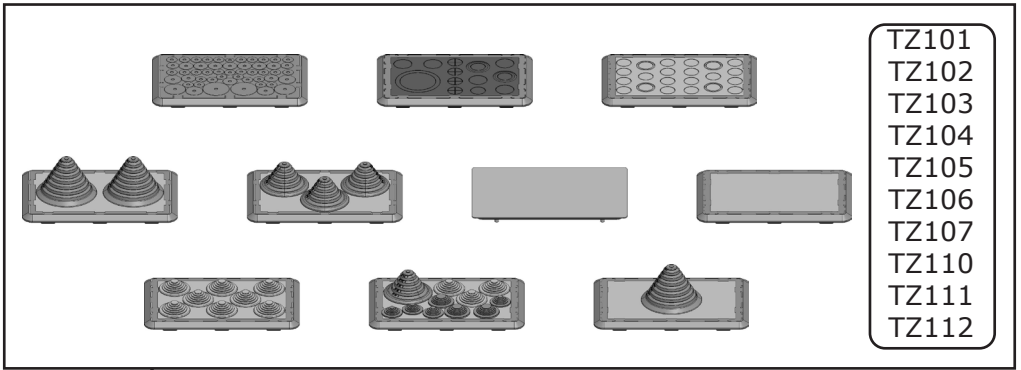
Q855F6..

A=6

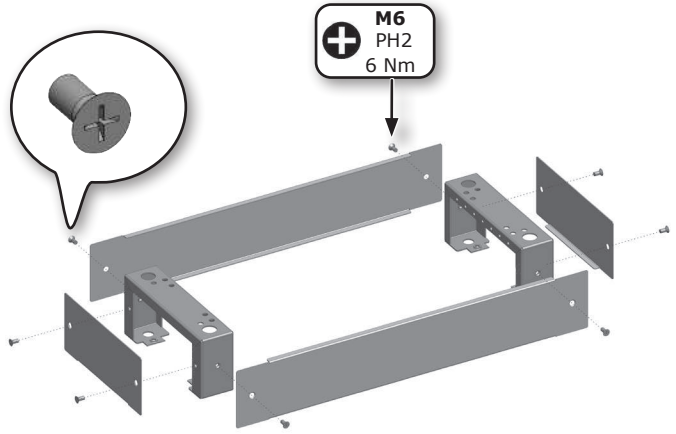
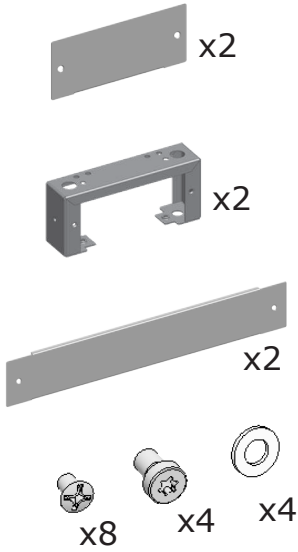
Q855F8..

A=8

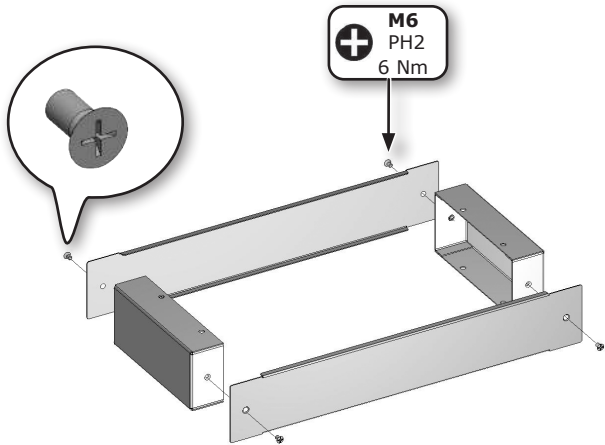
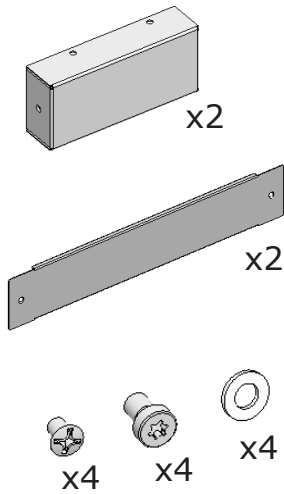


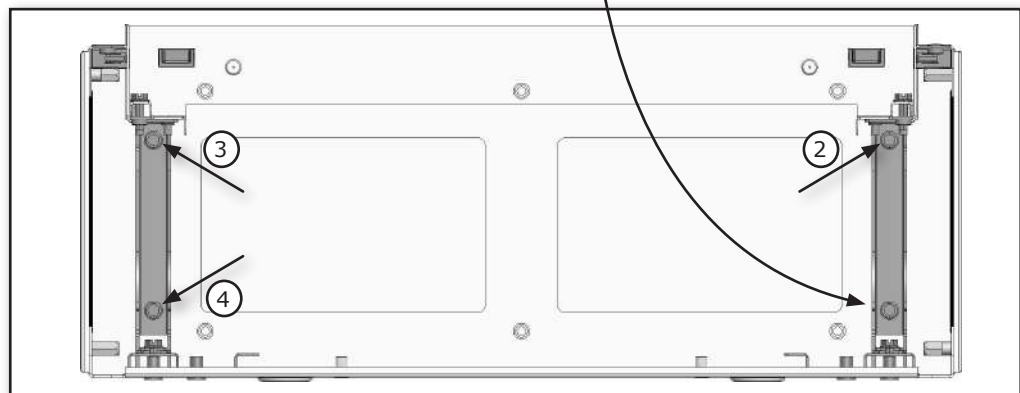
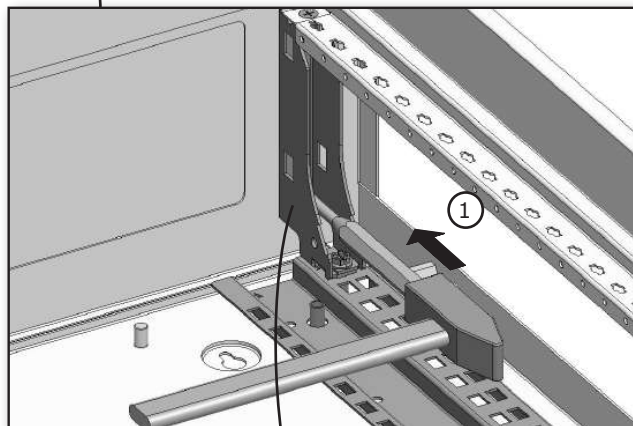
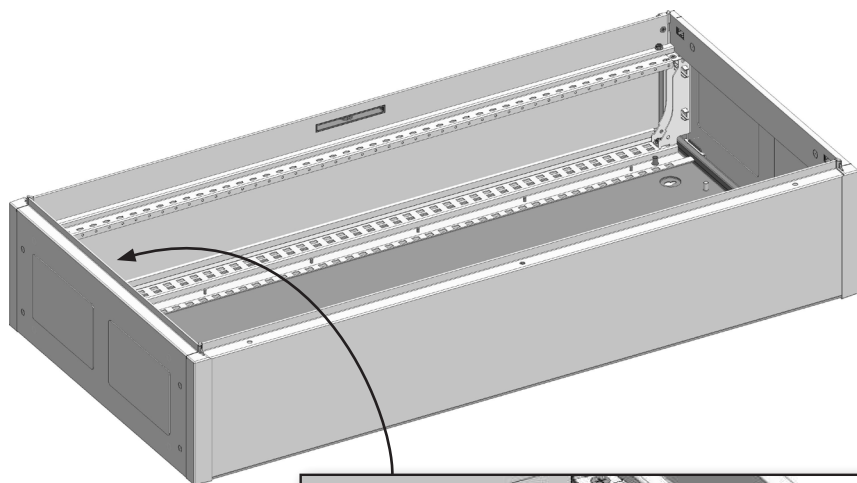


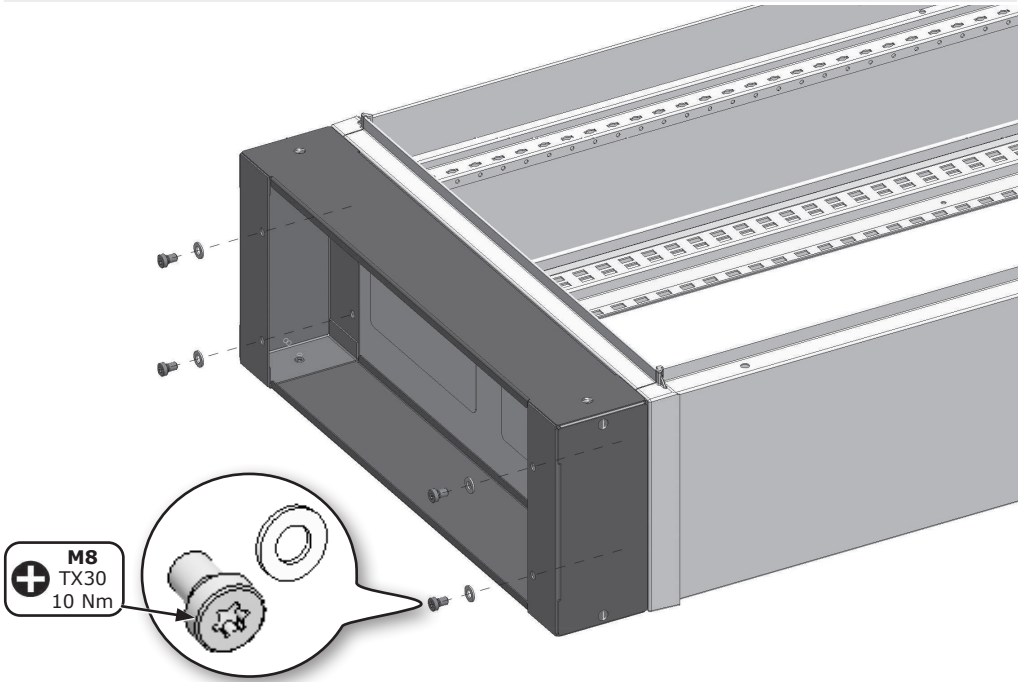
Q855P.01



Q855PS.01



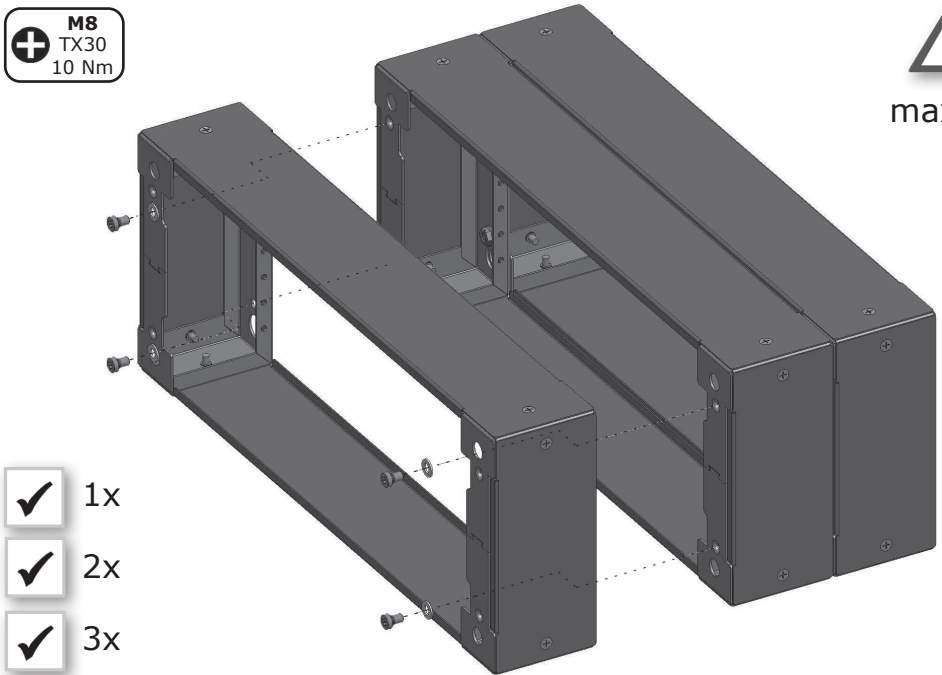




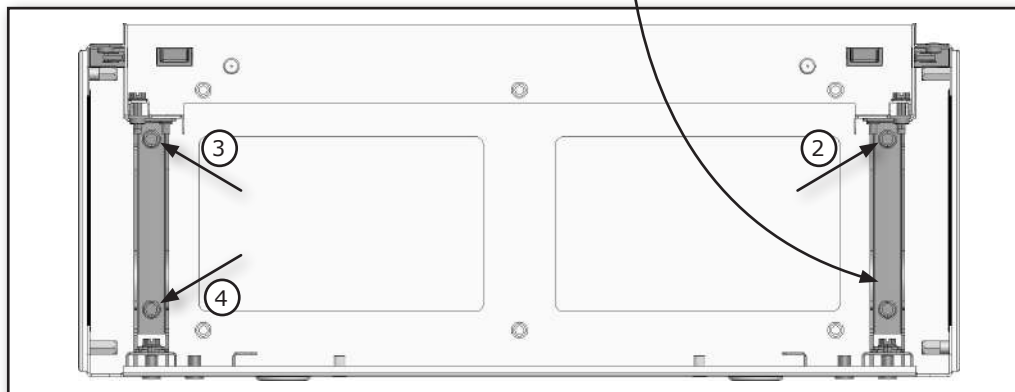
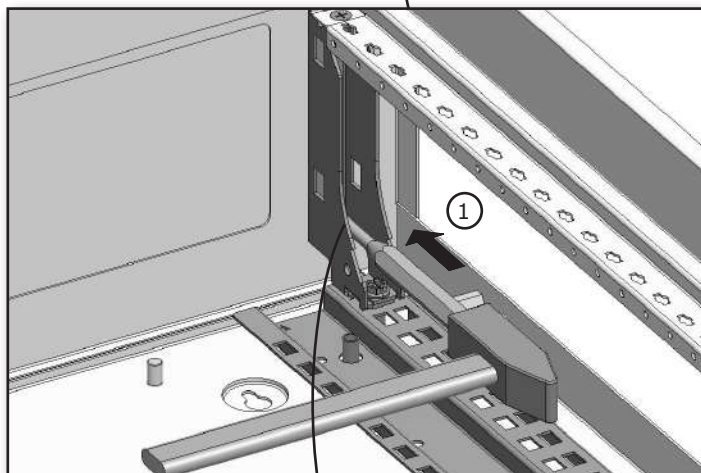
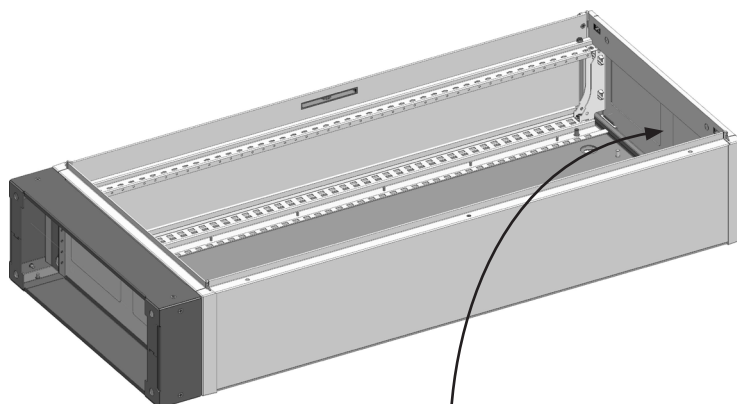
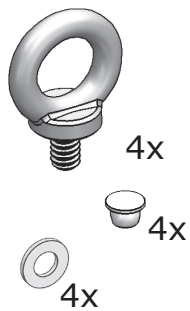
M8
TX30
10 Nm

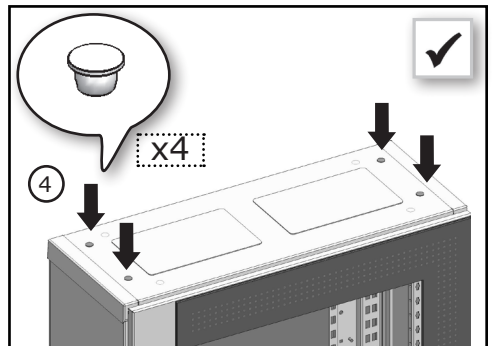
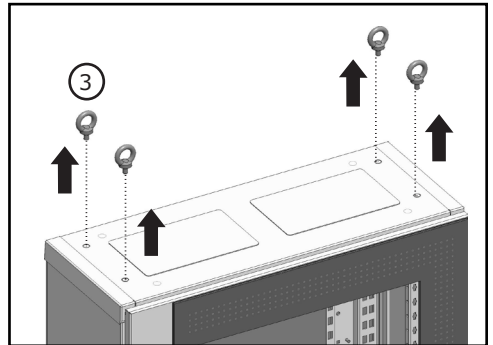
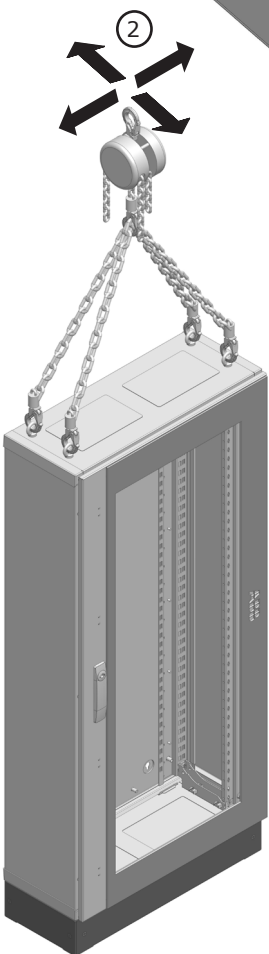
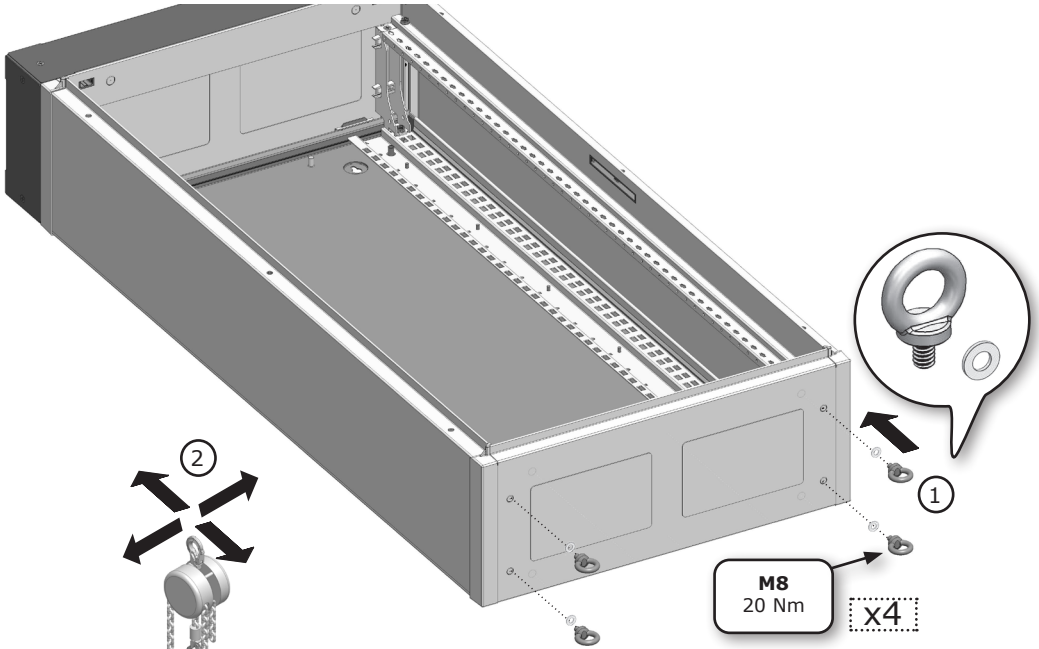


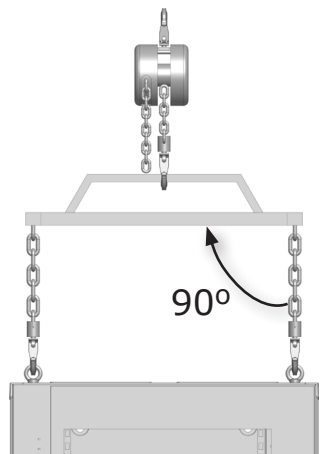
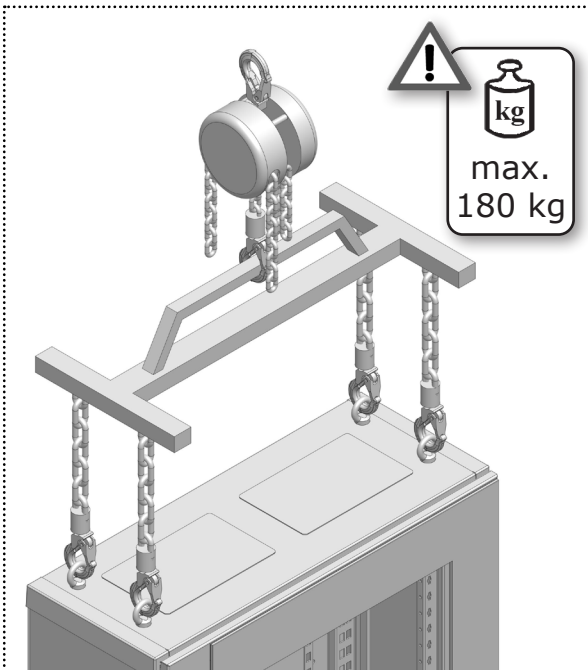
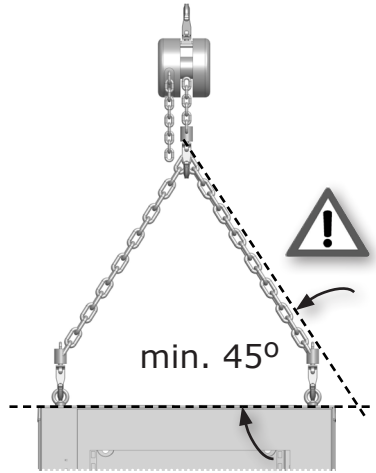
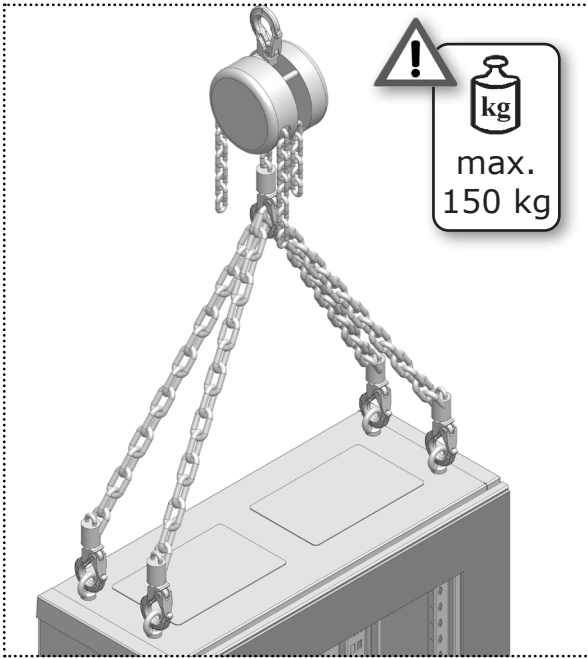
max.3x

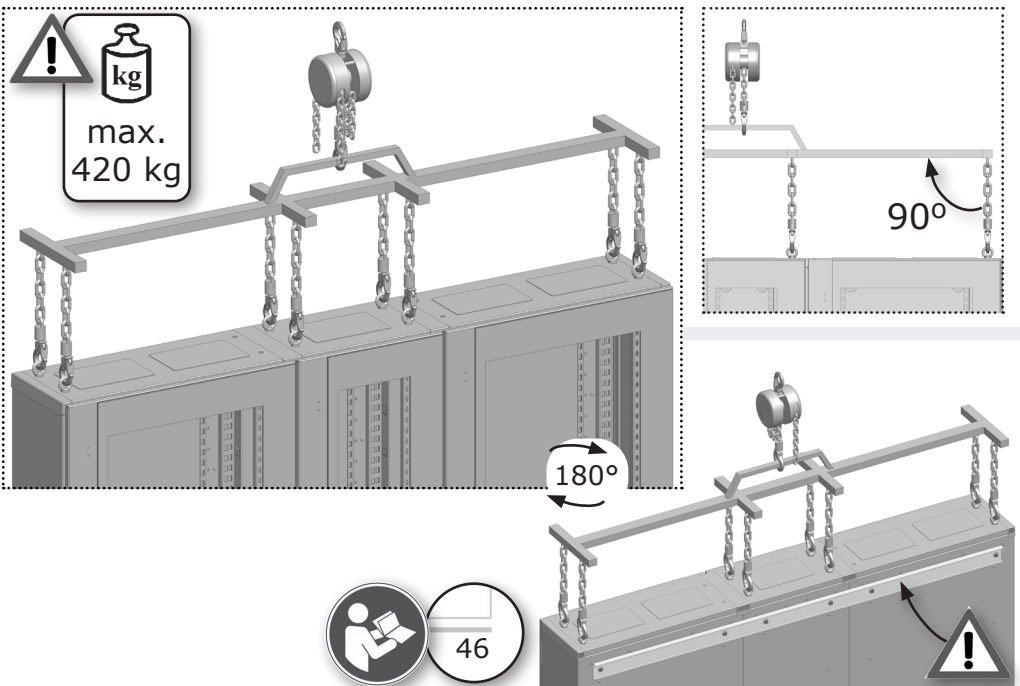
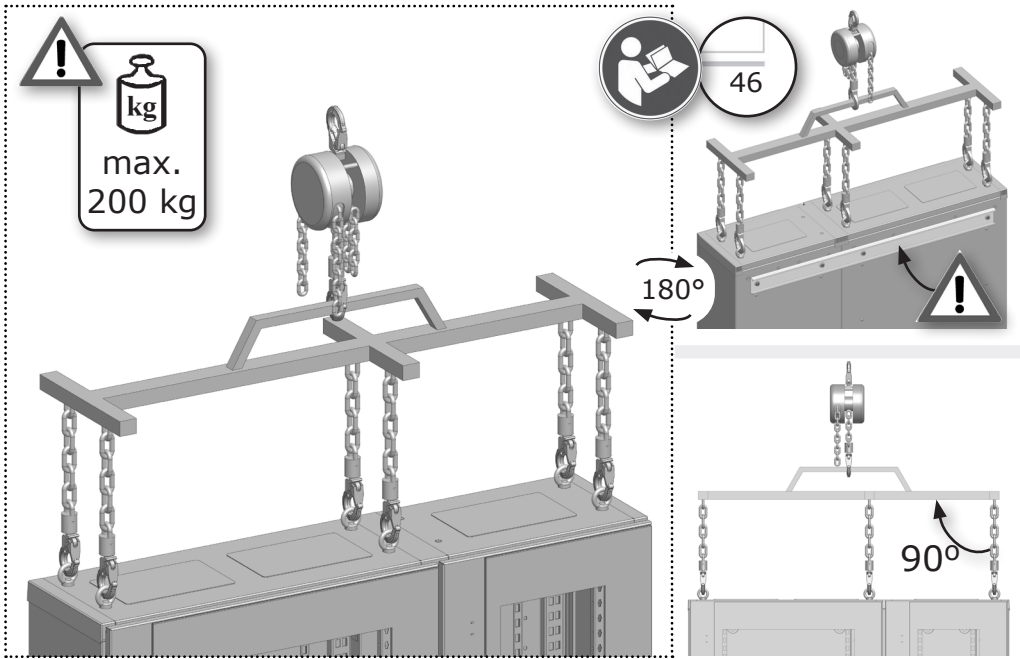


ESAC3003P4

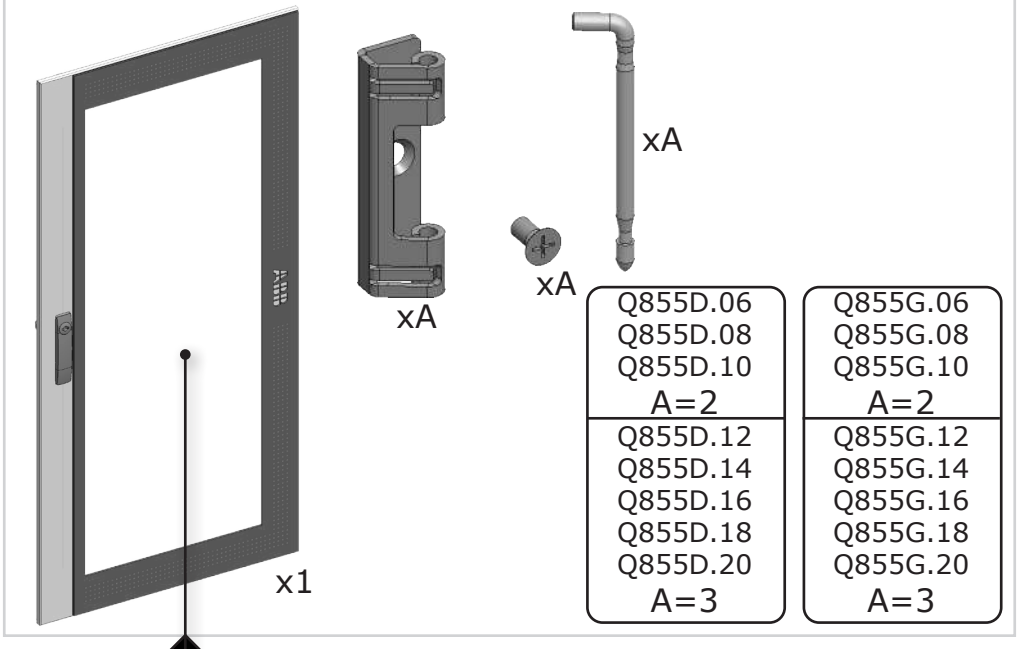


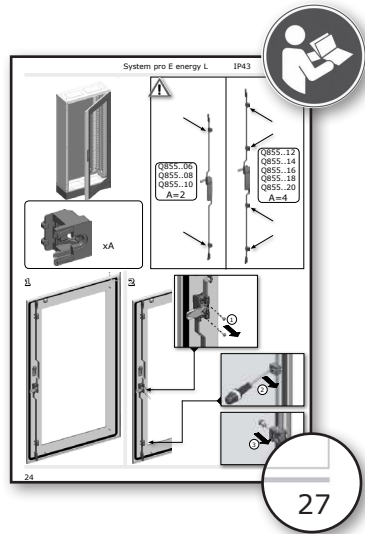
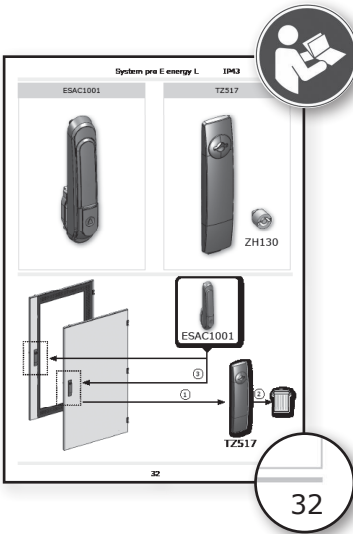
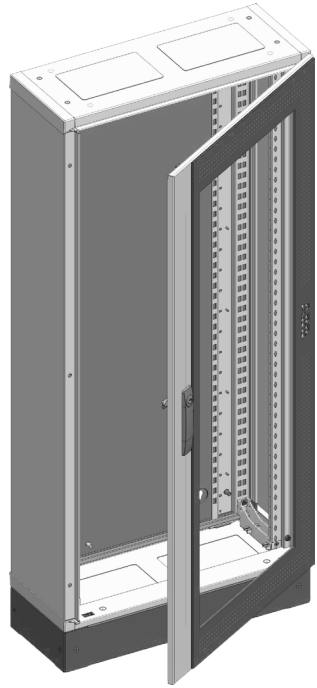
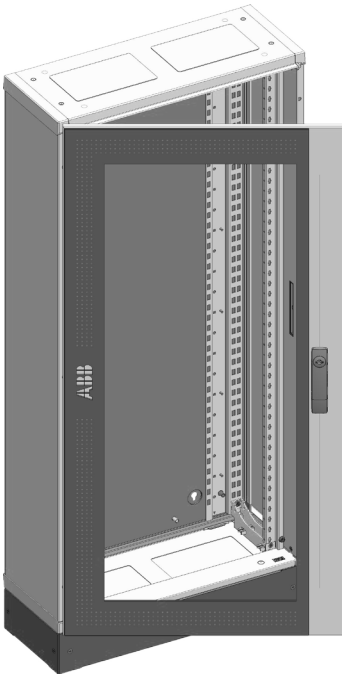


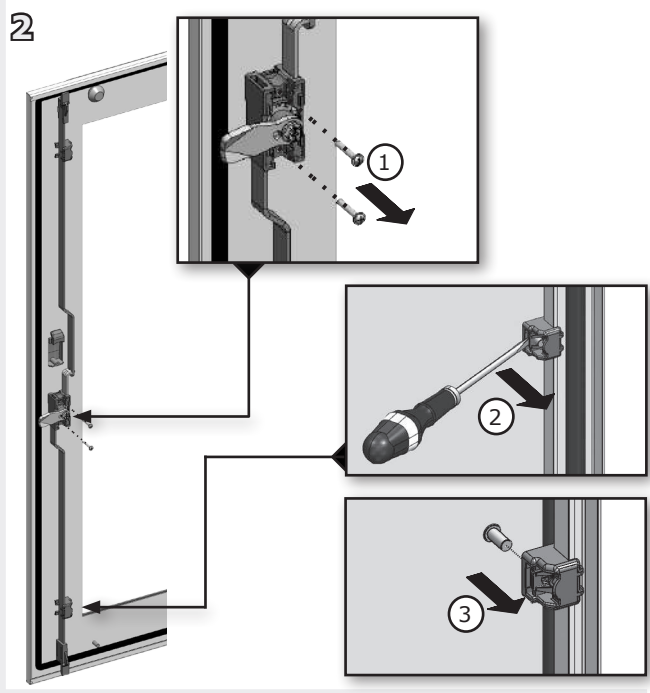
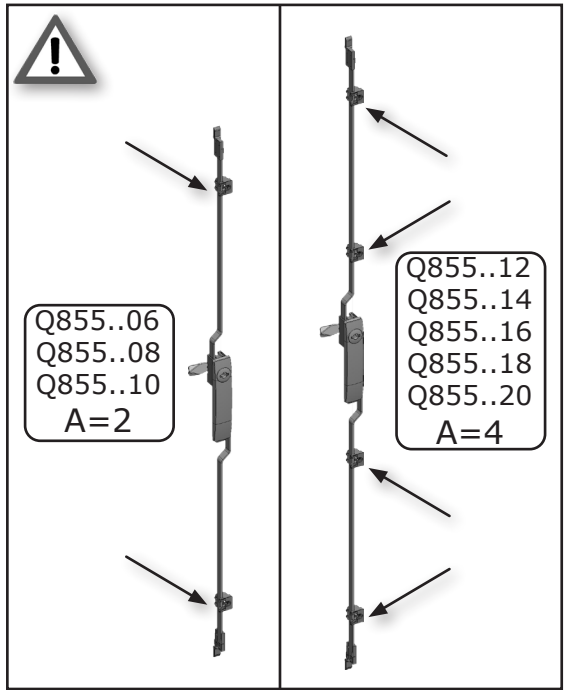
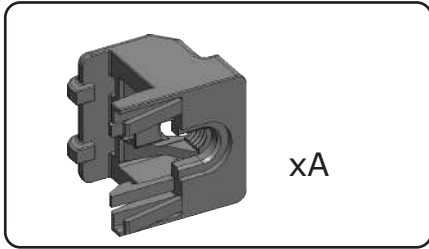
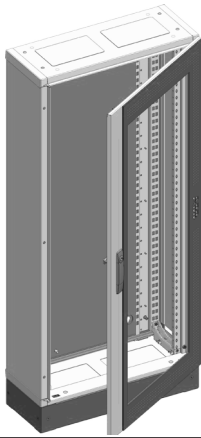


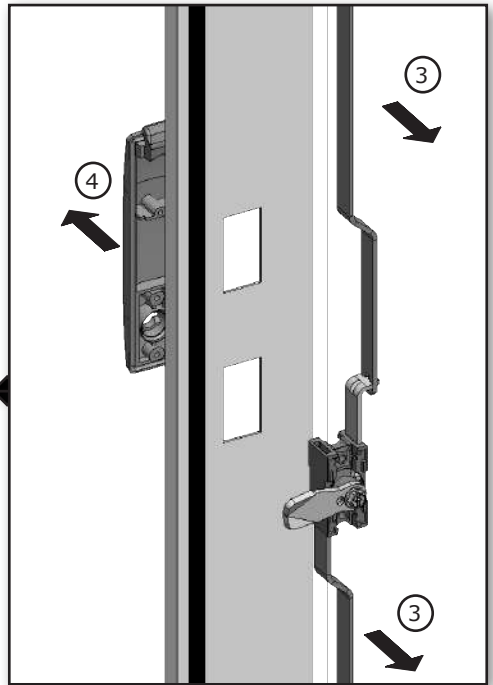
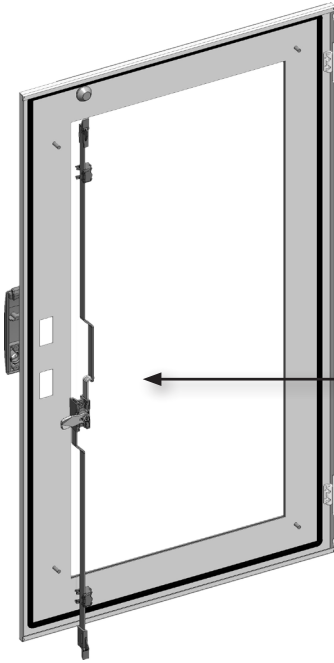


Q855....

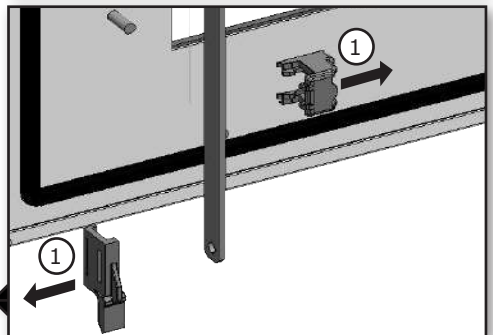
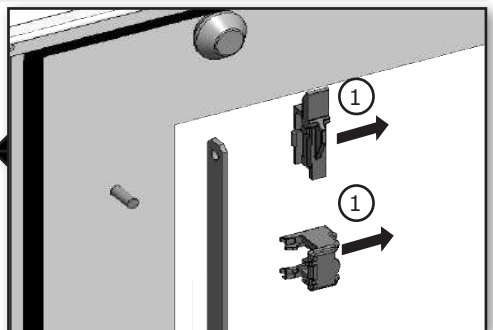
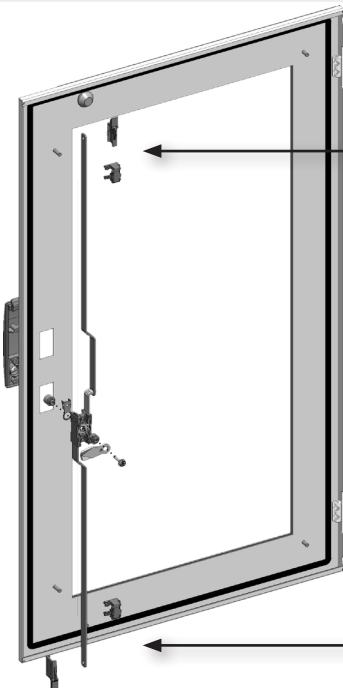


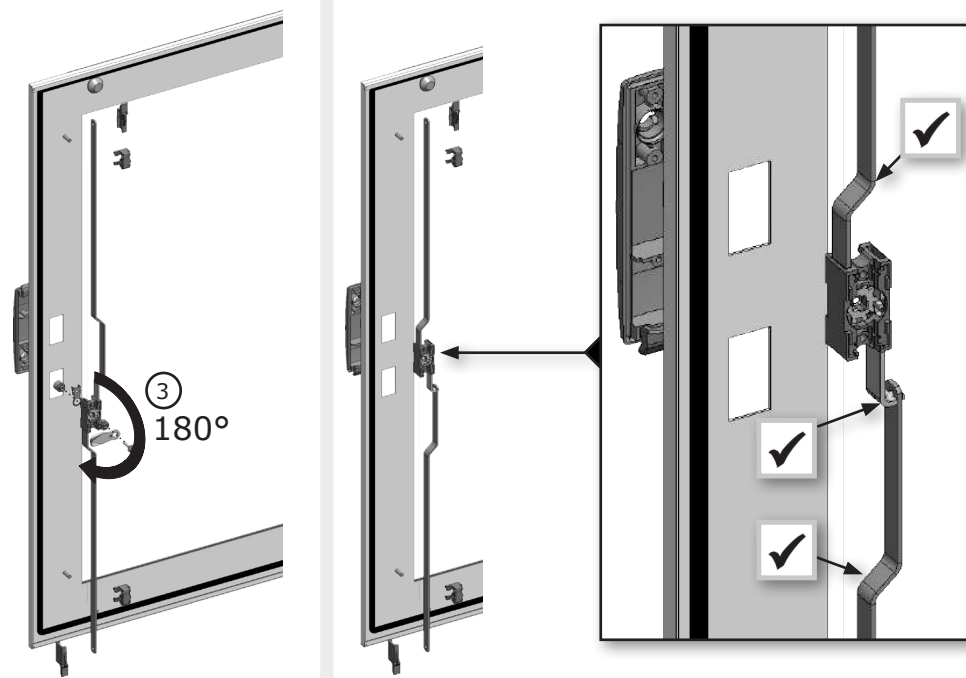
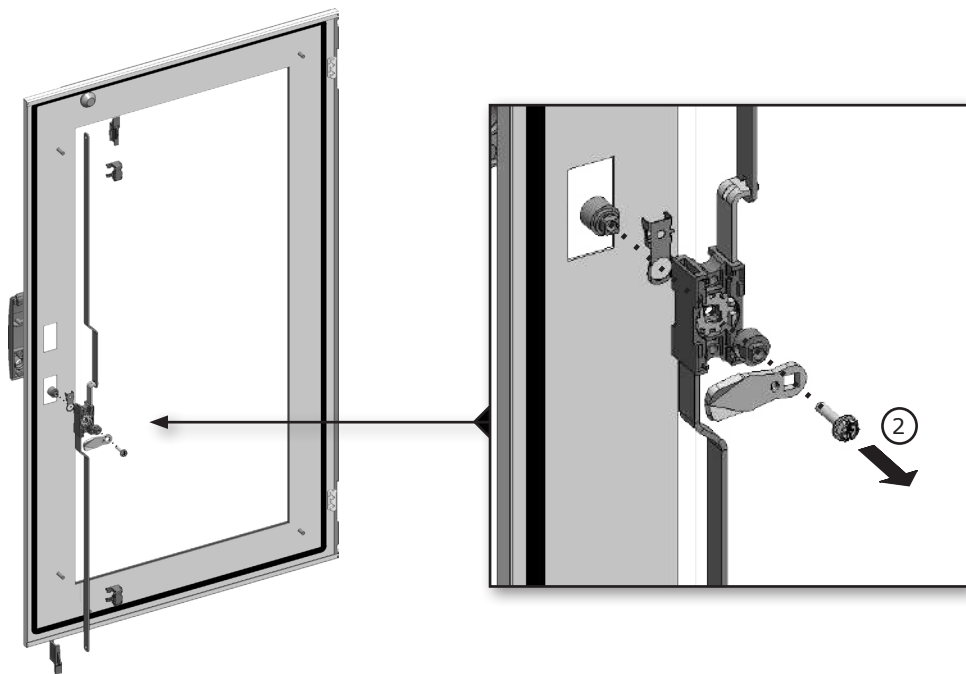


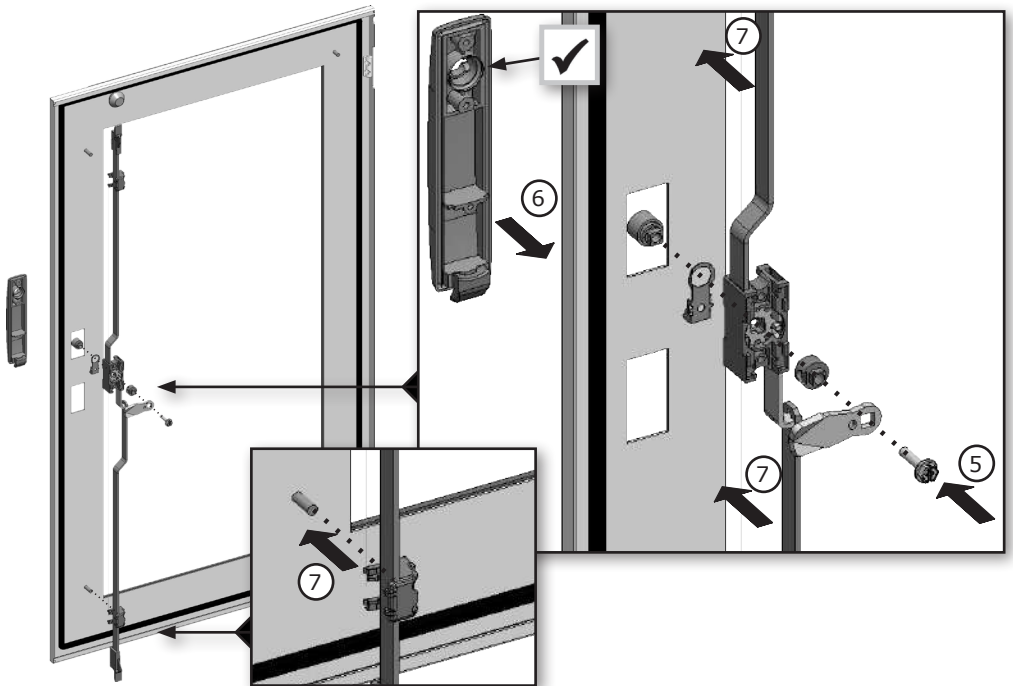
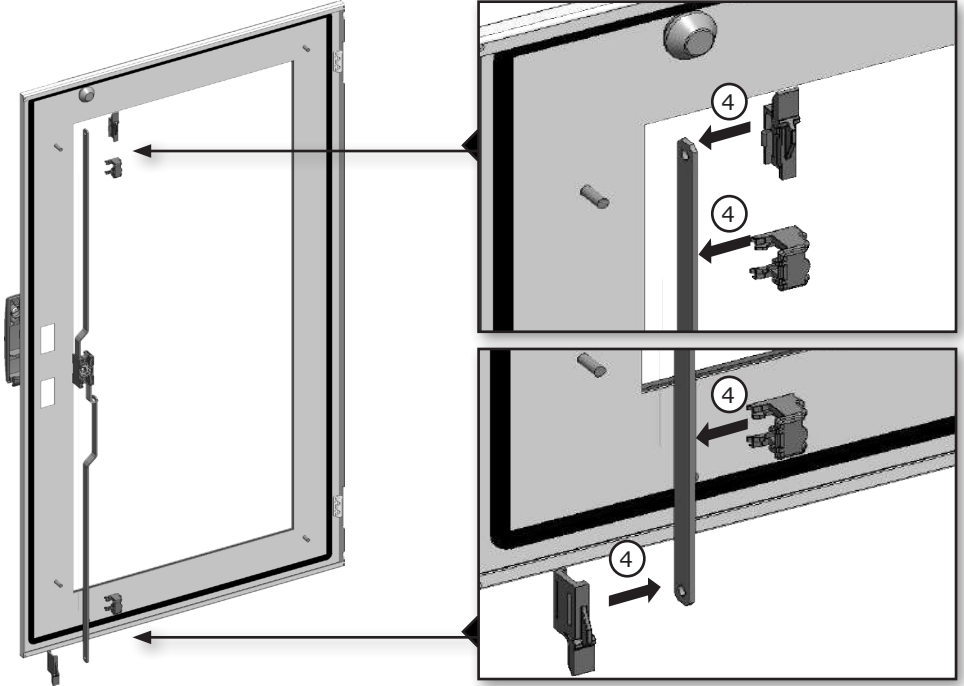


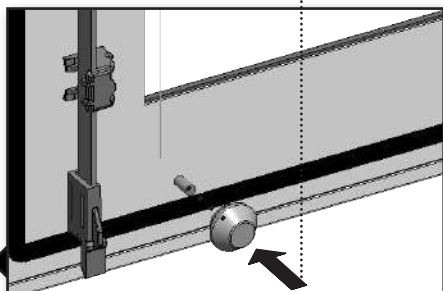
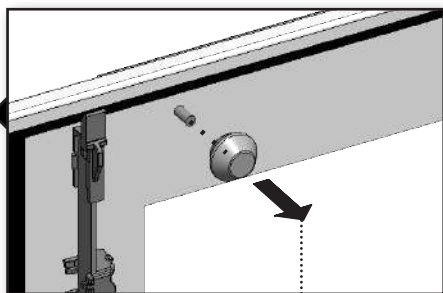
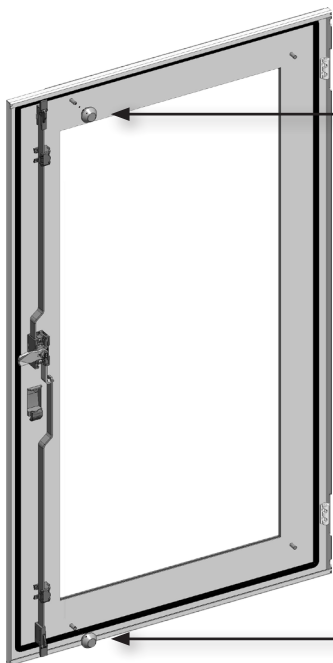
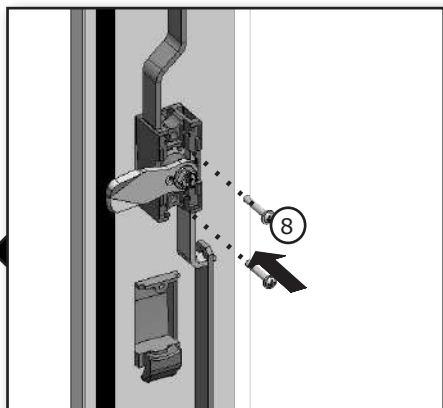
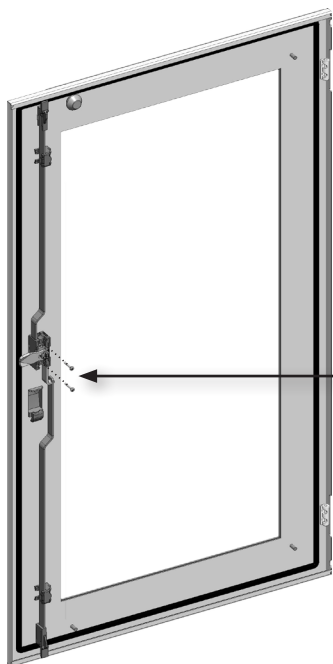


3









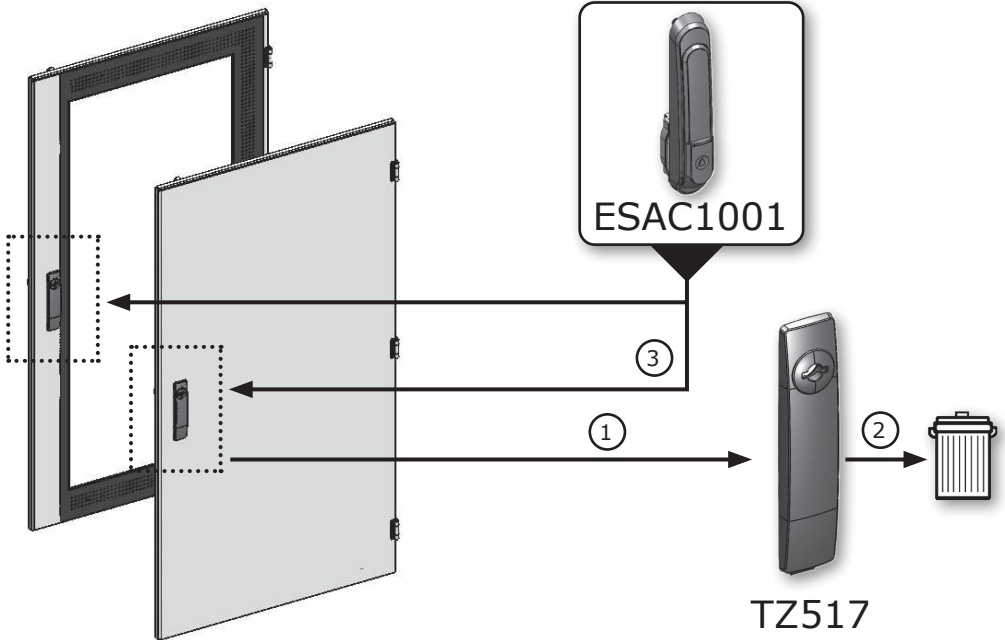
ESAC1001



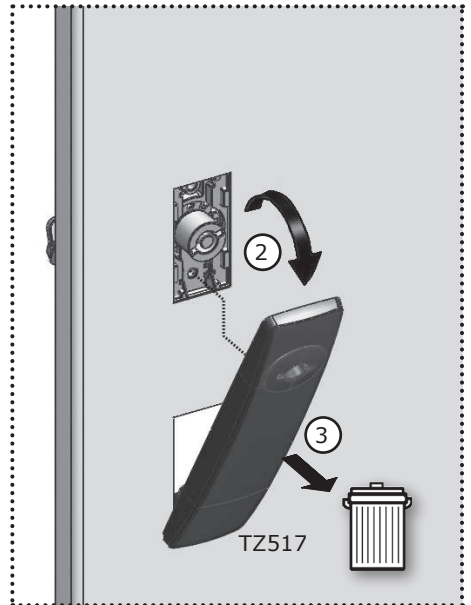
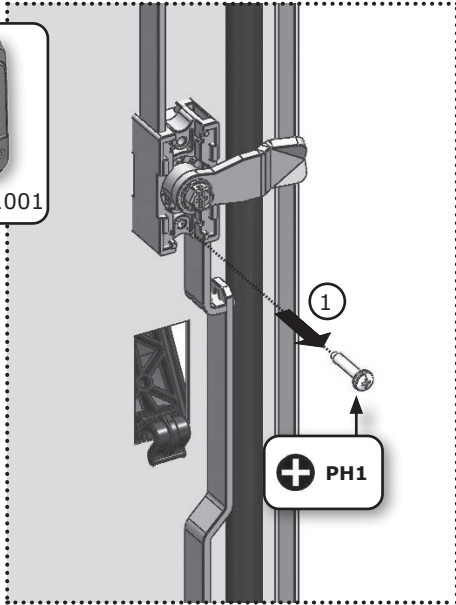
TZ517



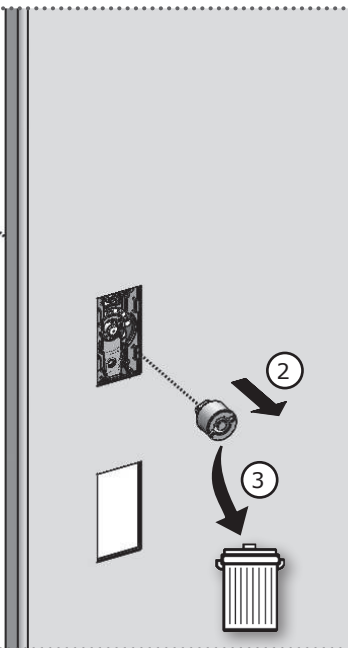
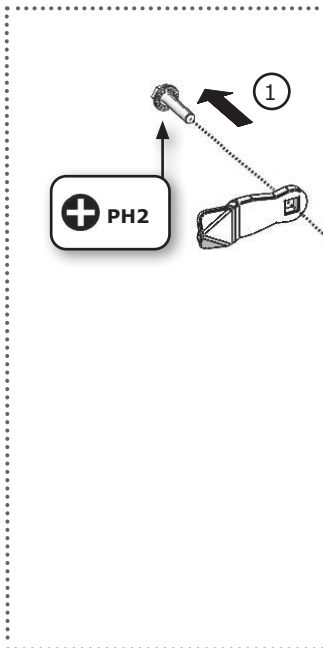
ZH130



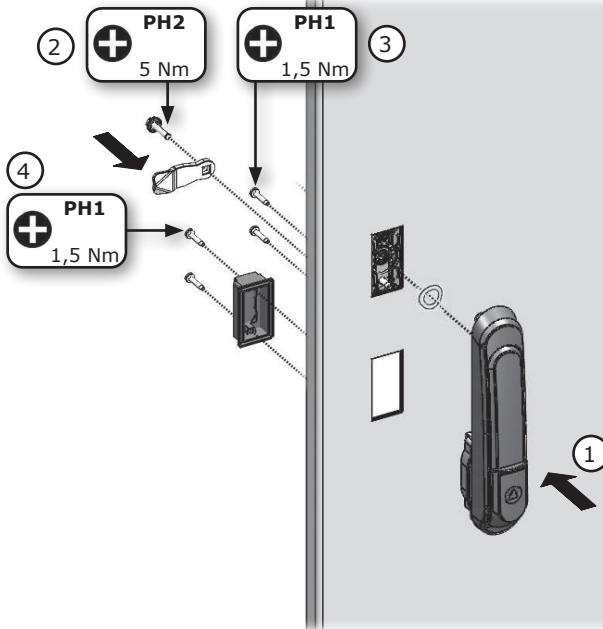
1



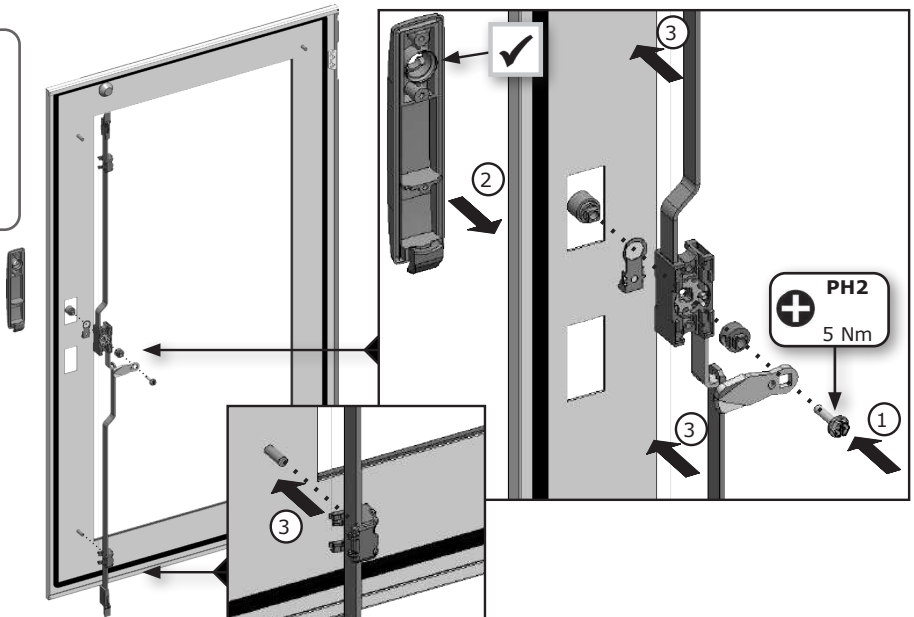
2

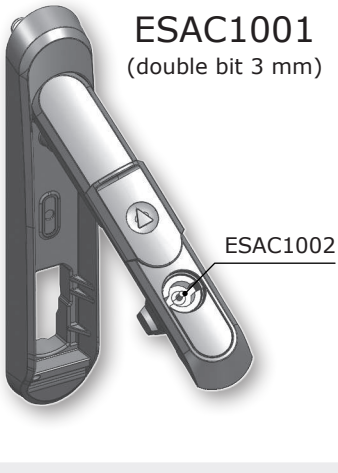


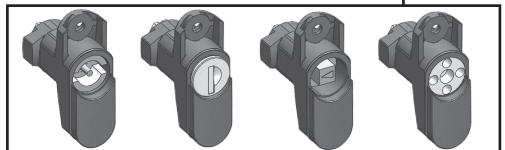
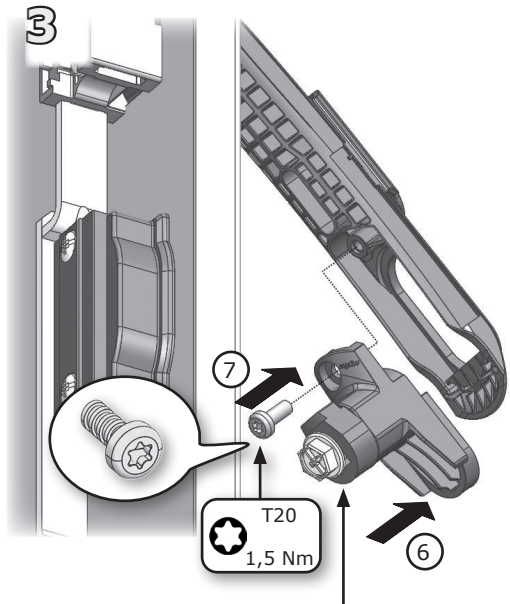
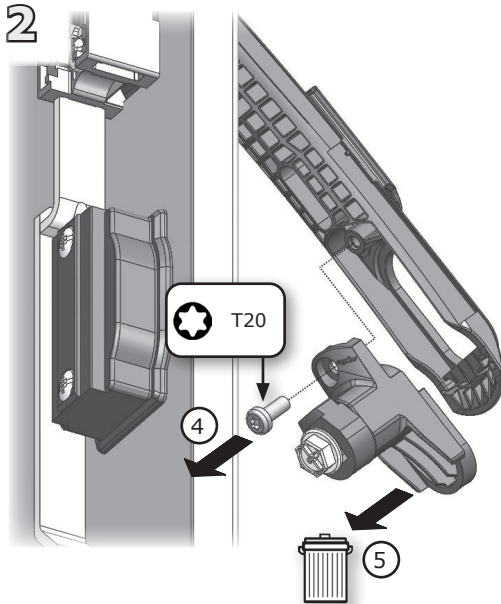
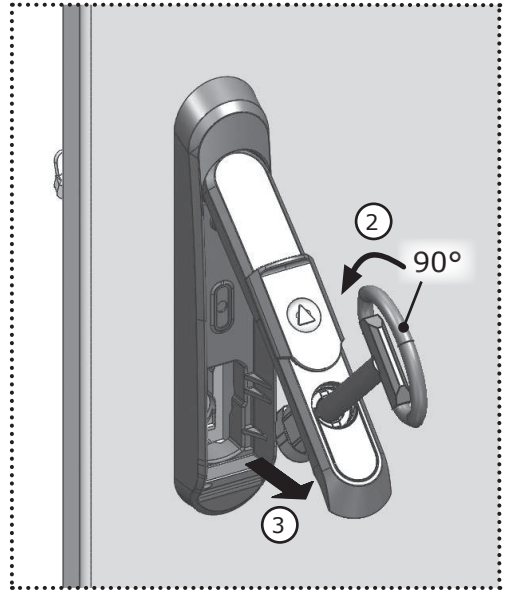
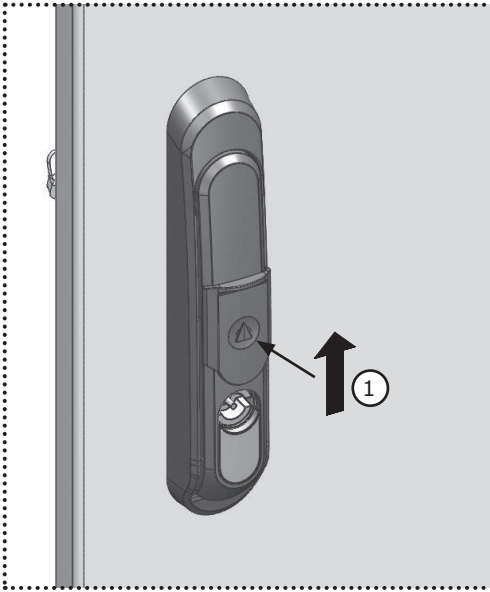
3

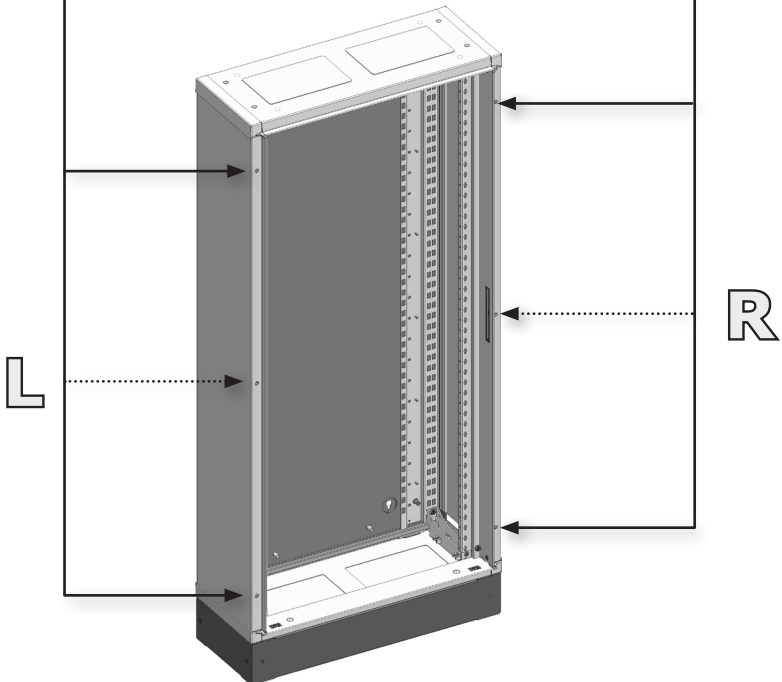
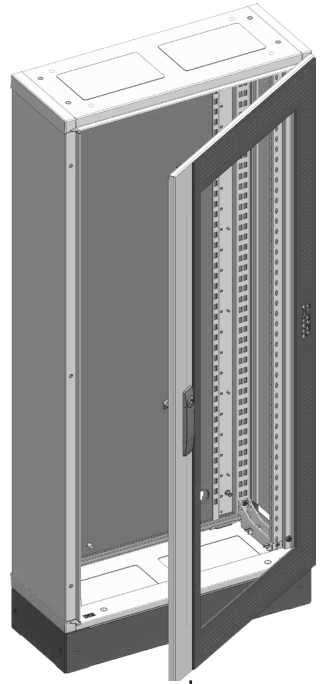
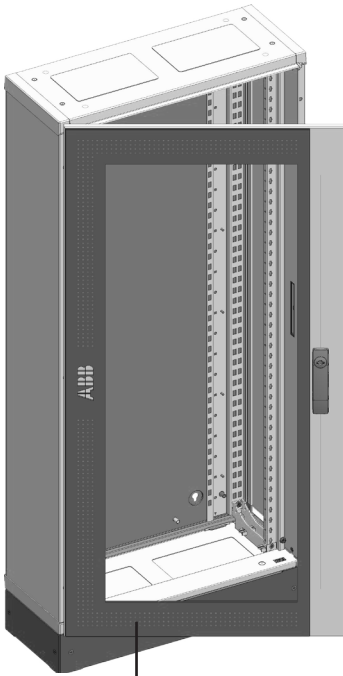


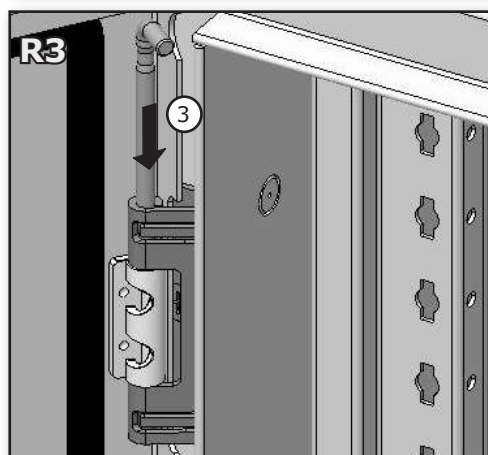
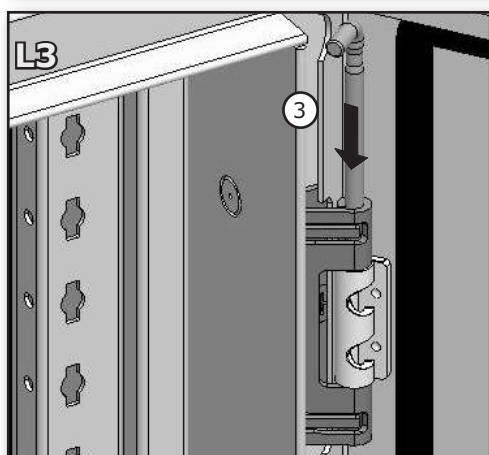
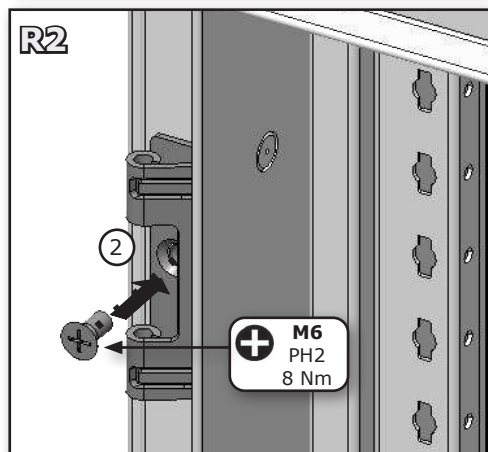
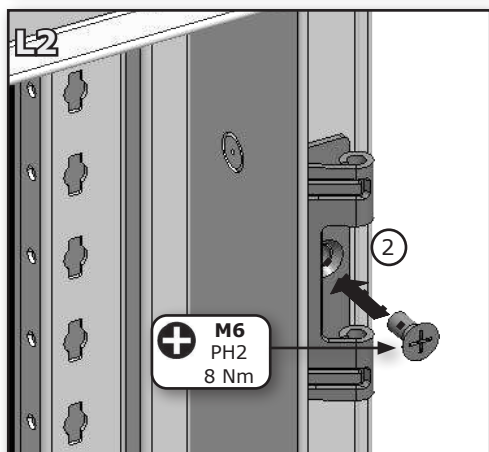
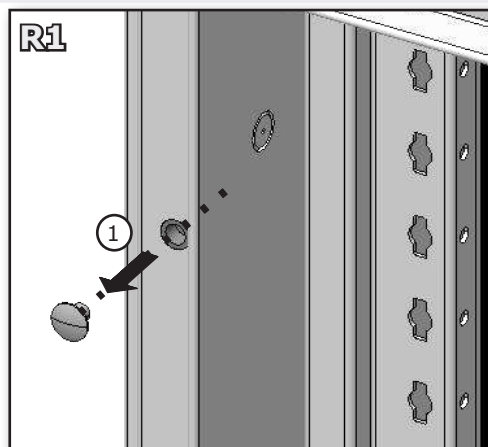
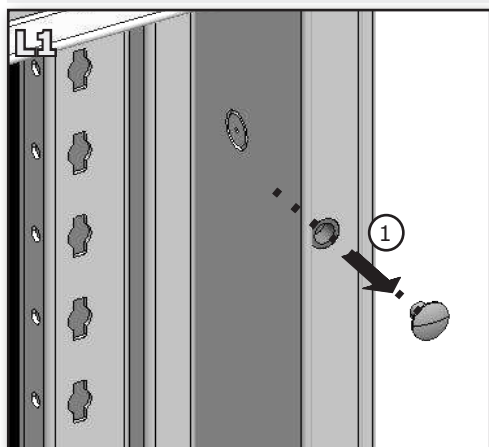
1

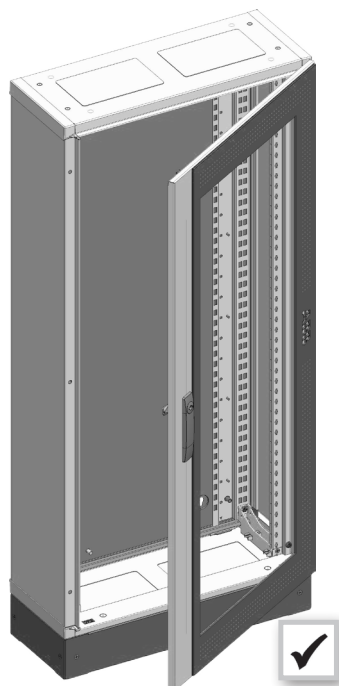
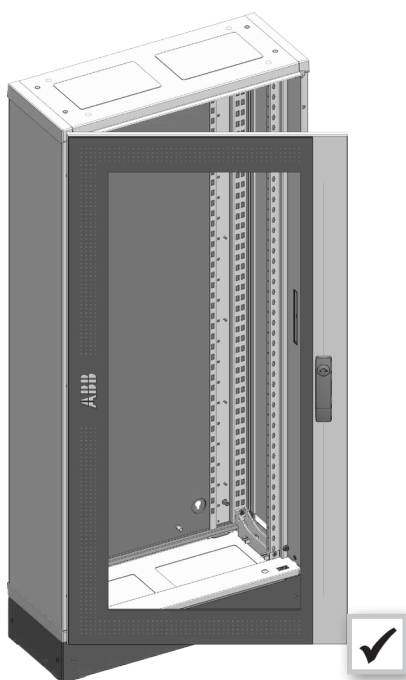
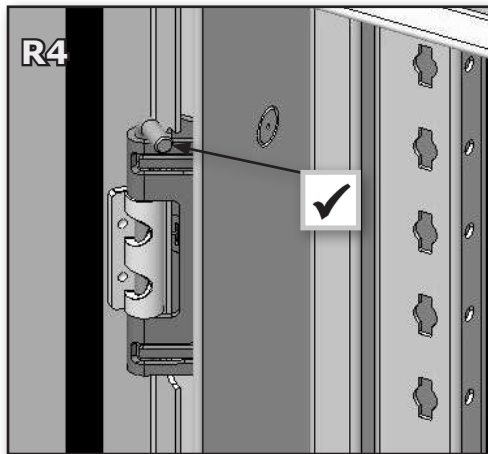
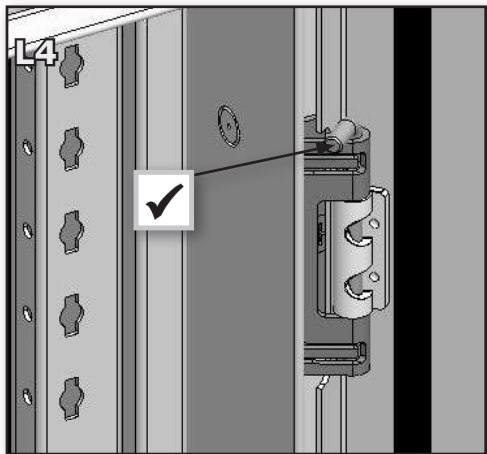


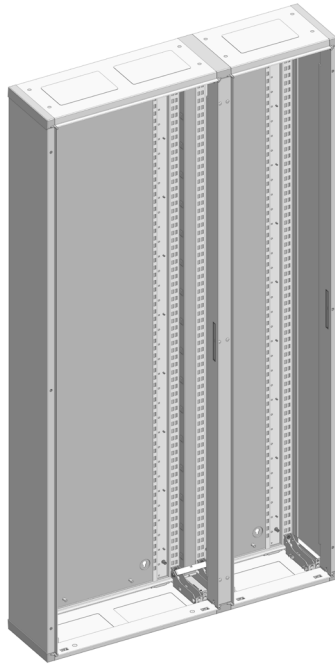




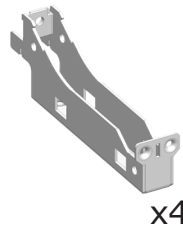
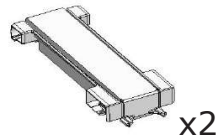
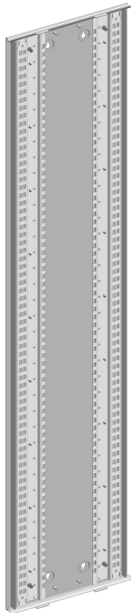


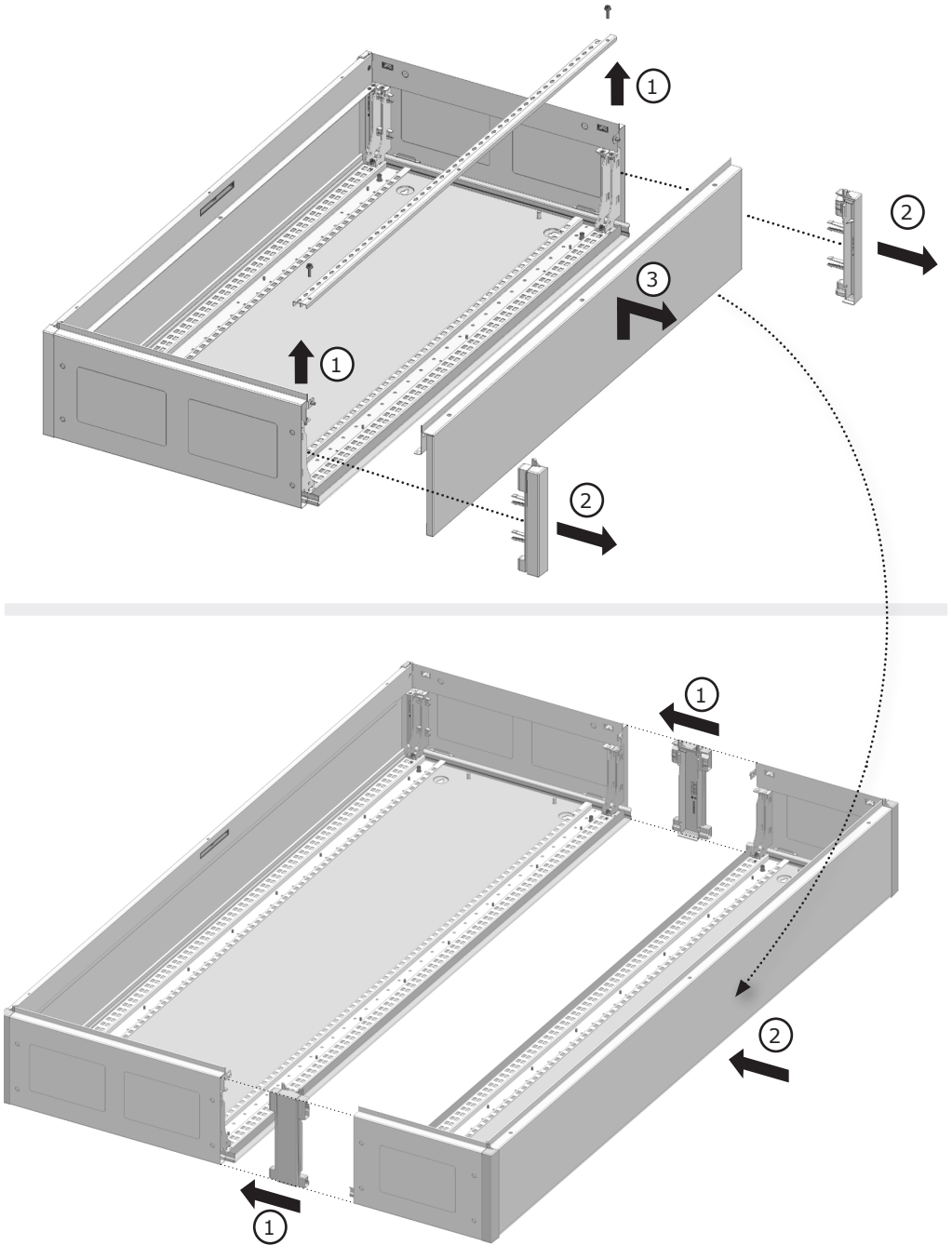


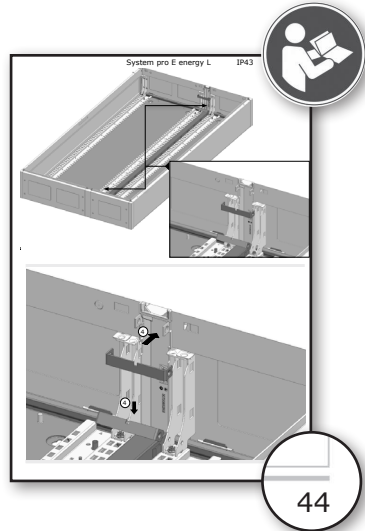
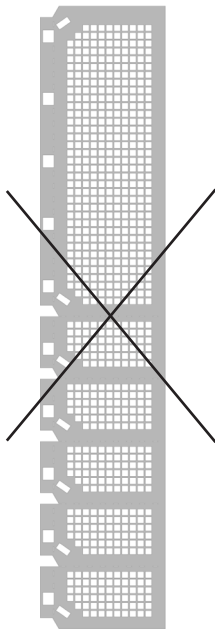
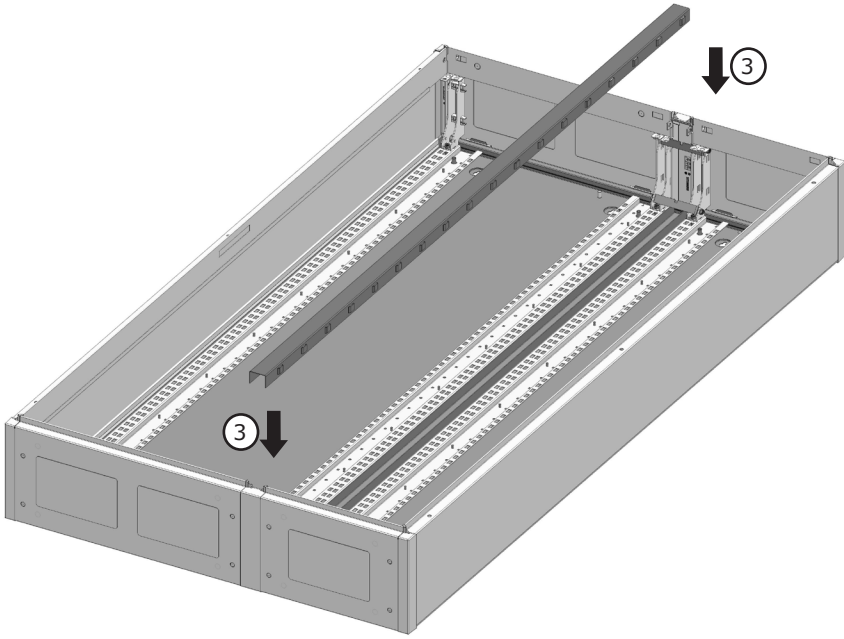




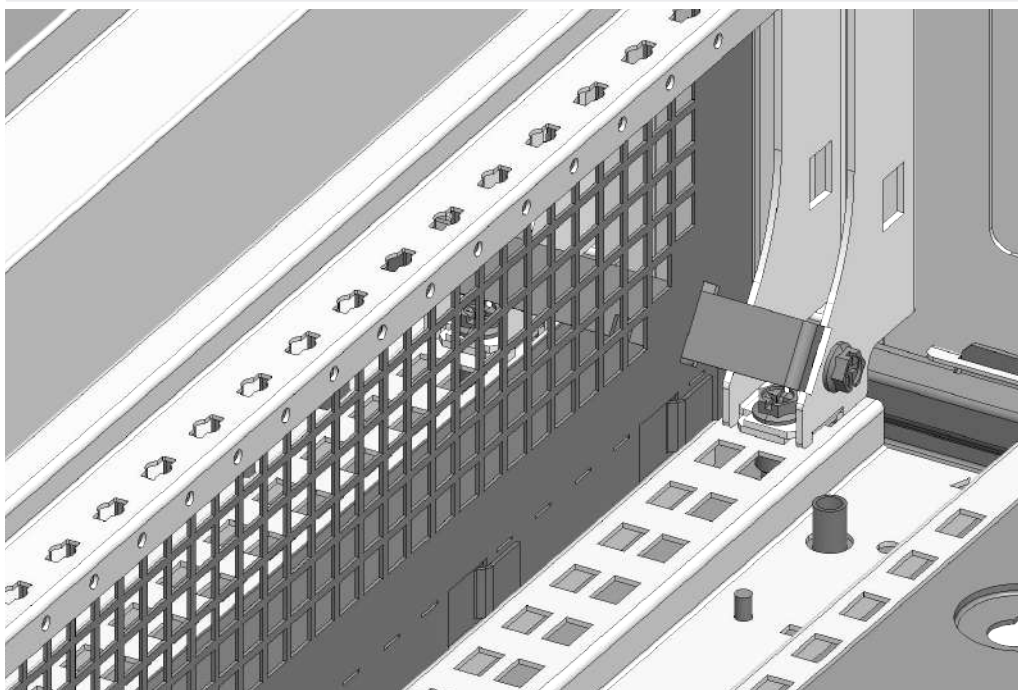
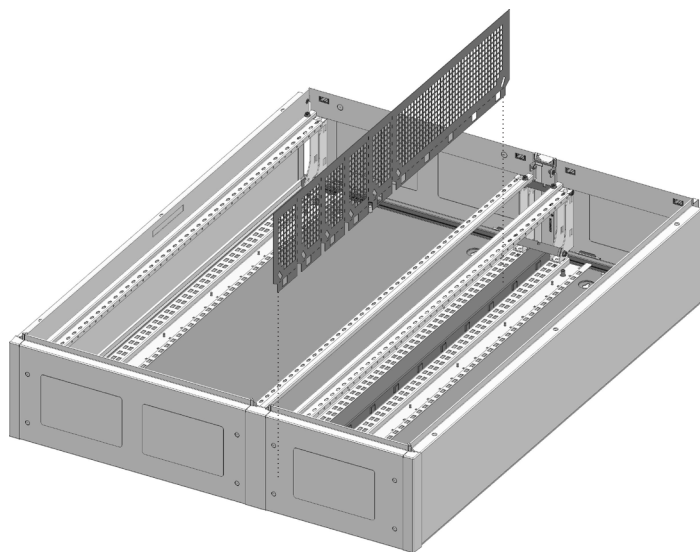
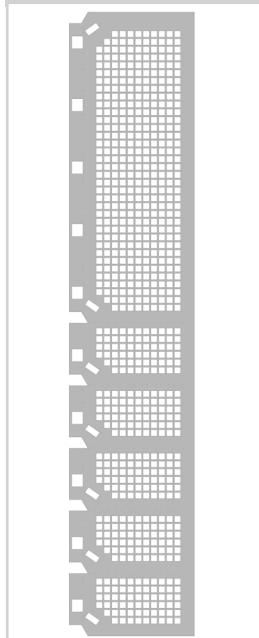
Q843E...

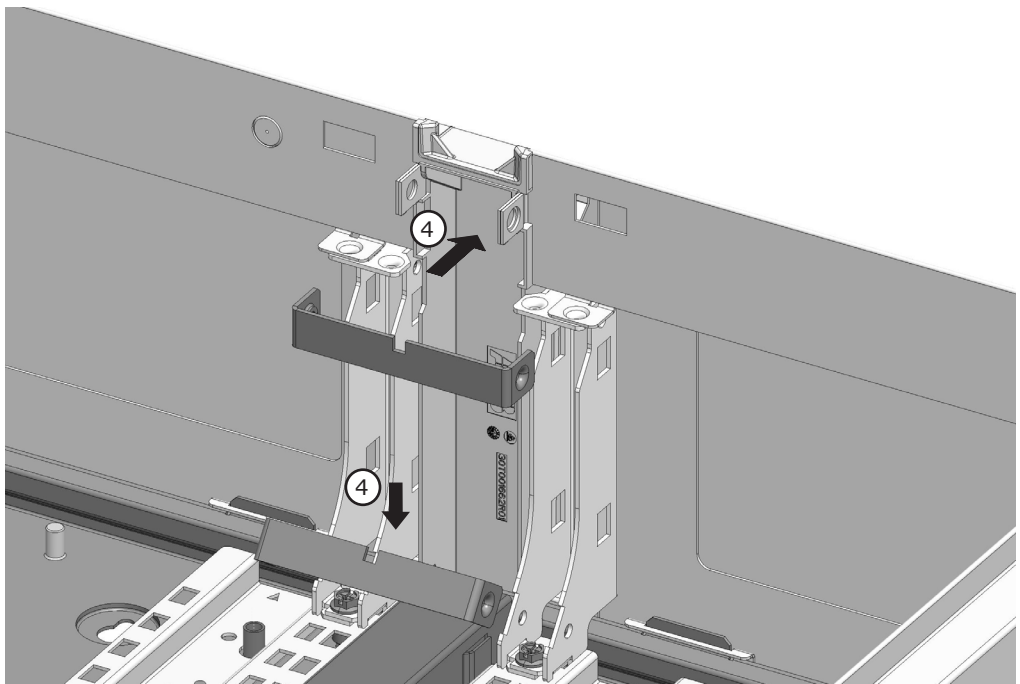
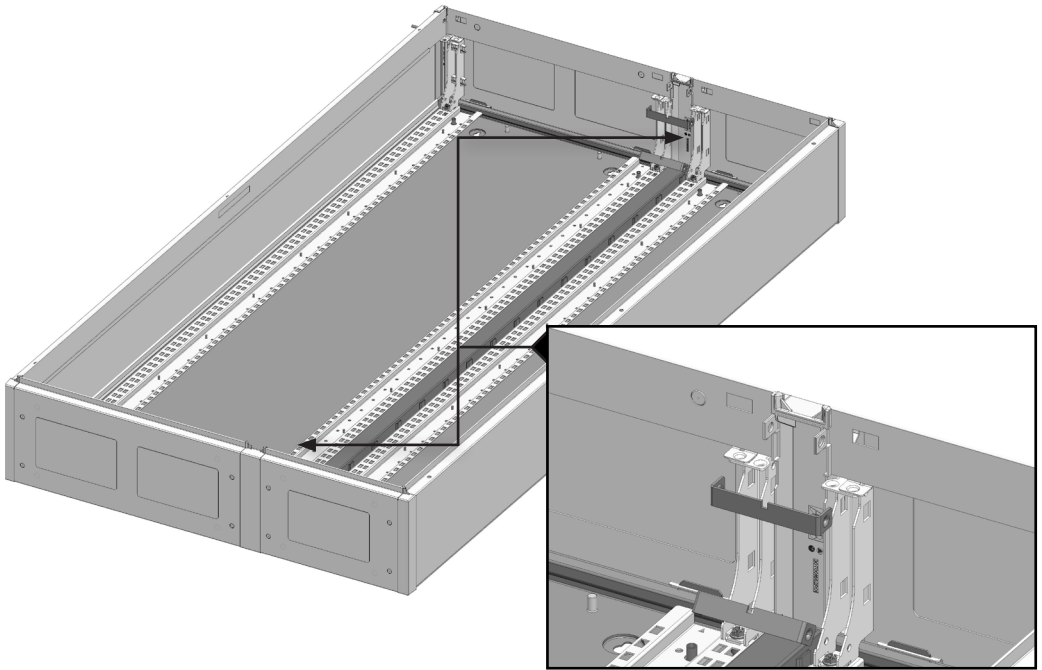


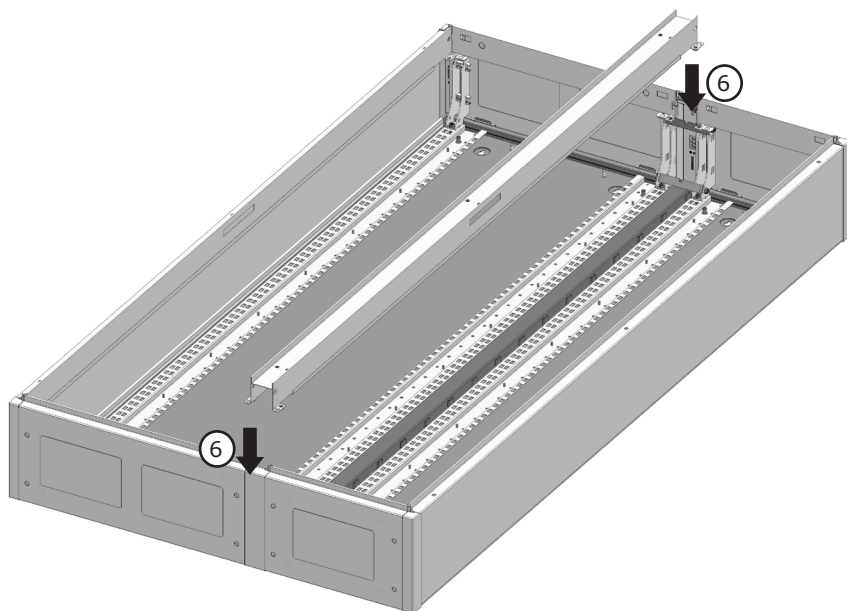
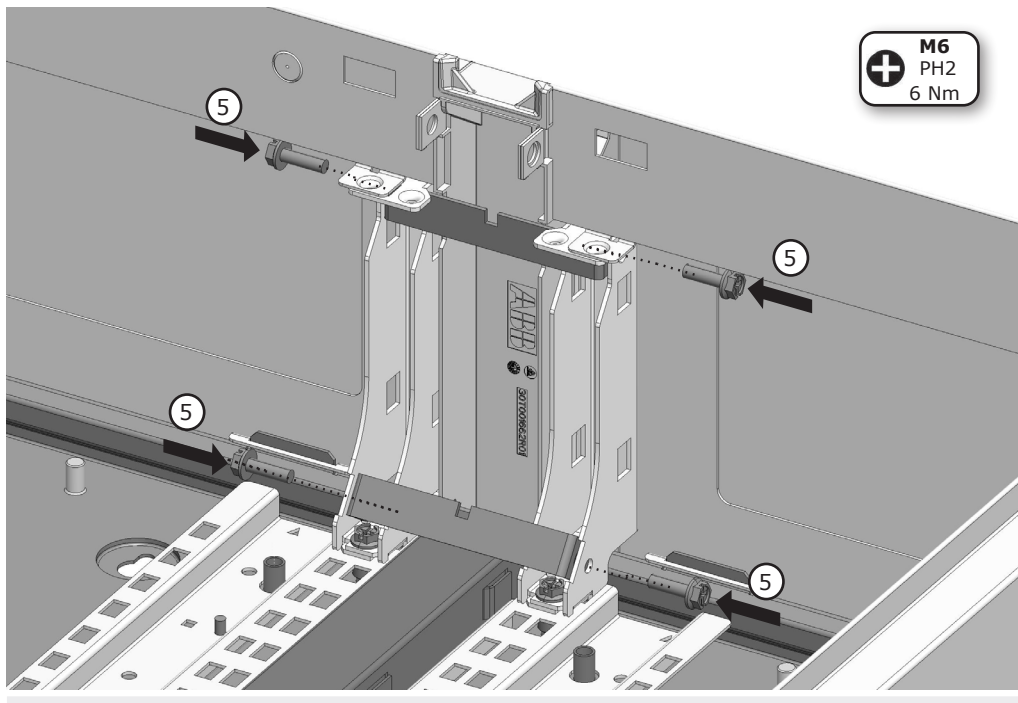




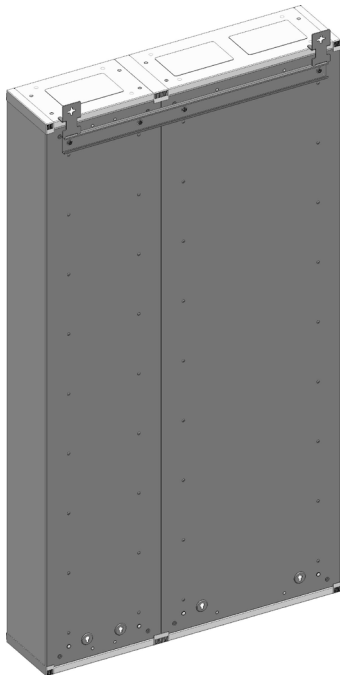
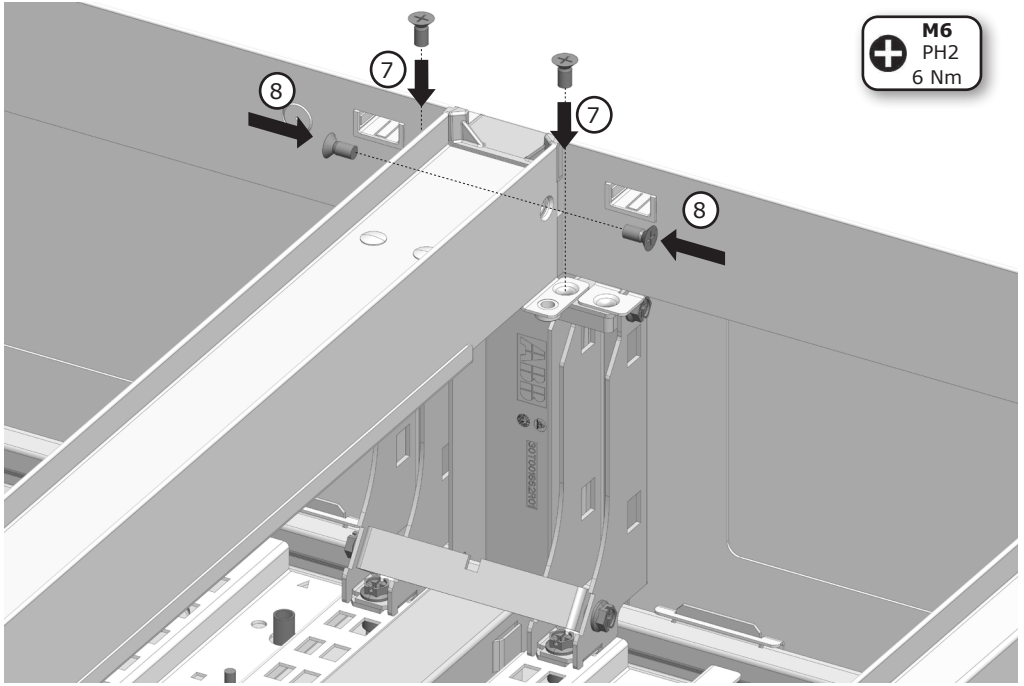
QRFV01XSS



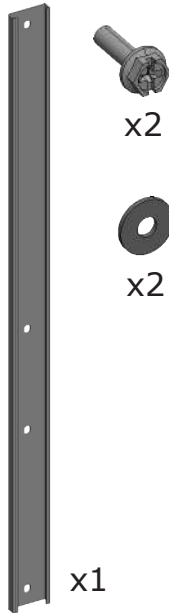




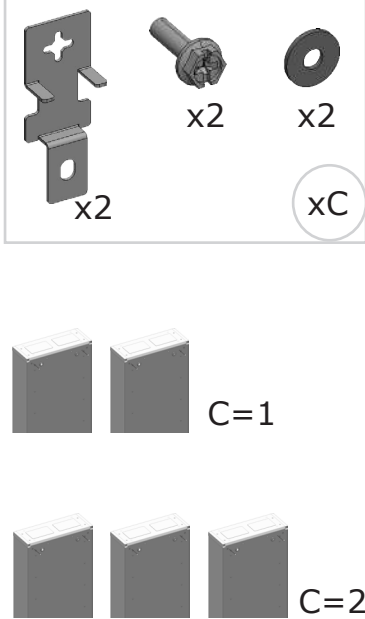
M6
PH2
6 Nm



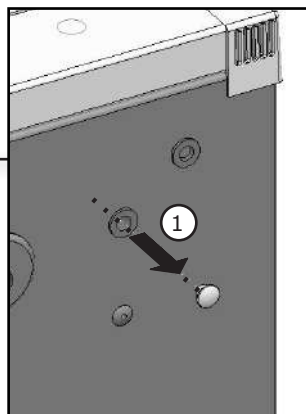
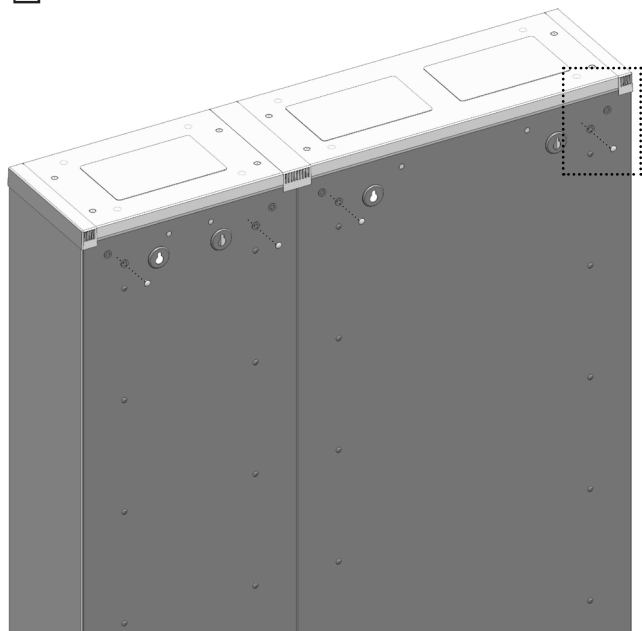
Q800R...



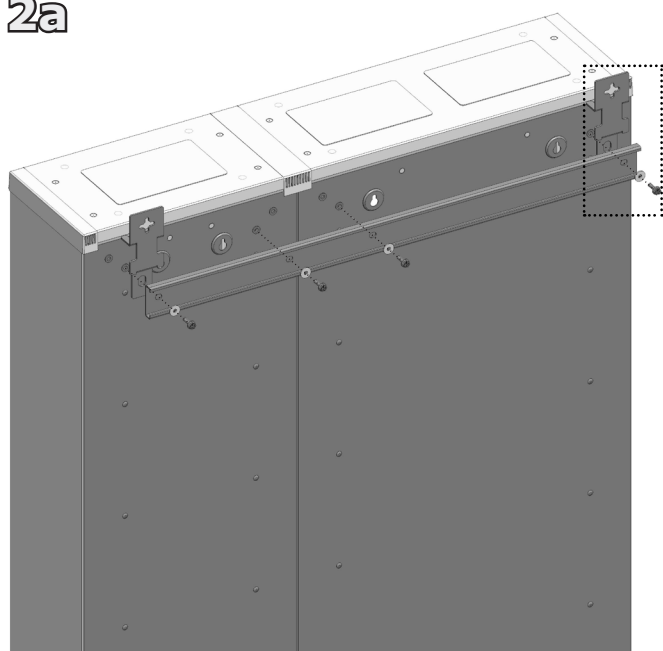
Q800R00P2




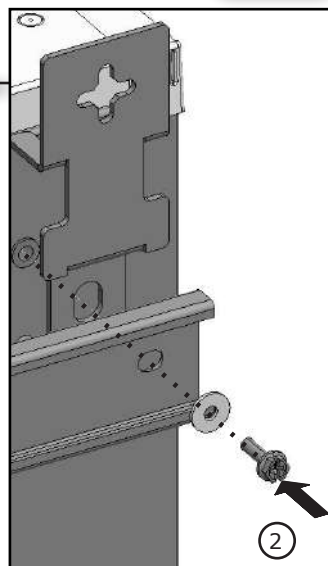
1



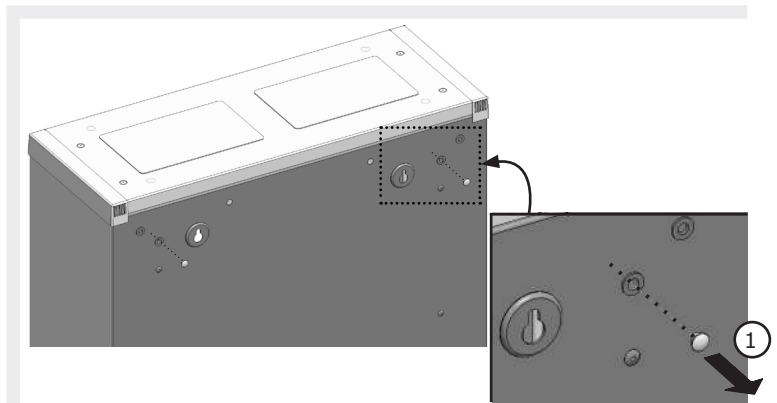
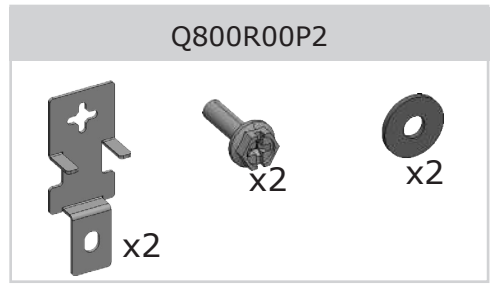
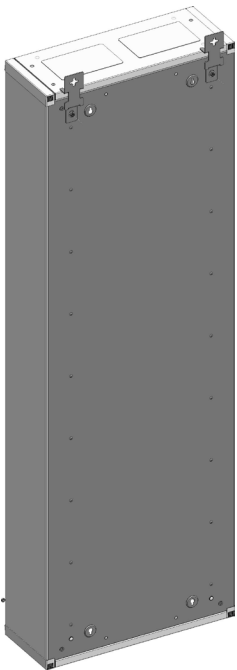
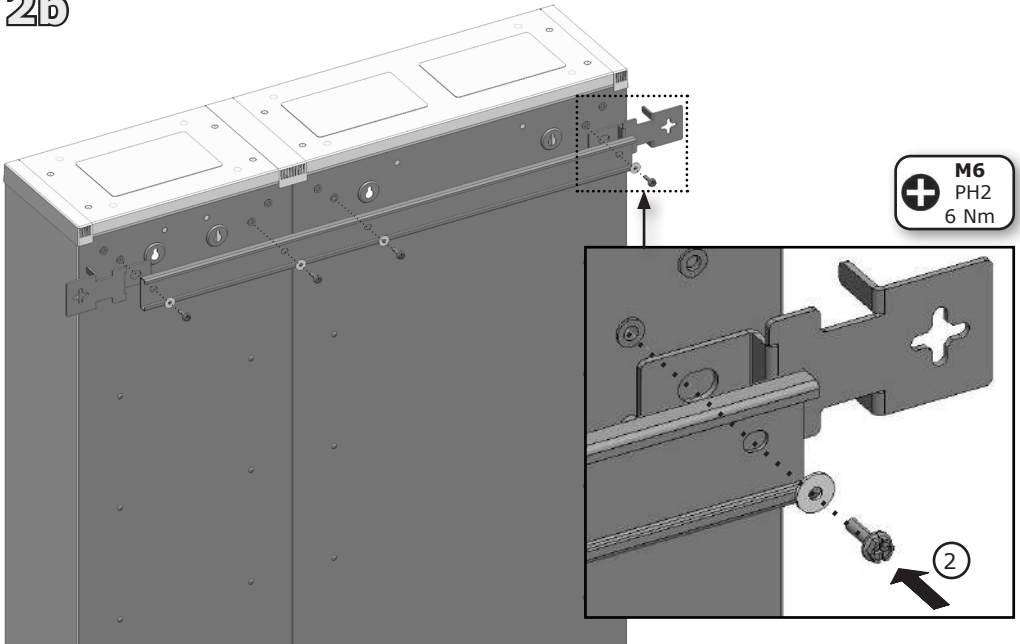
2a

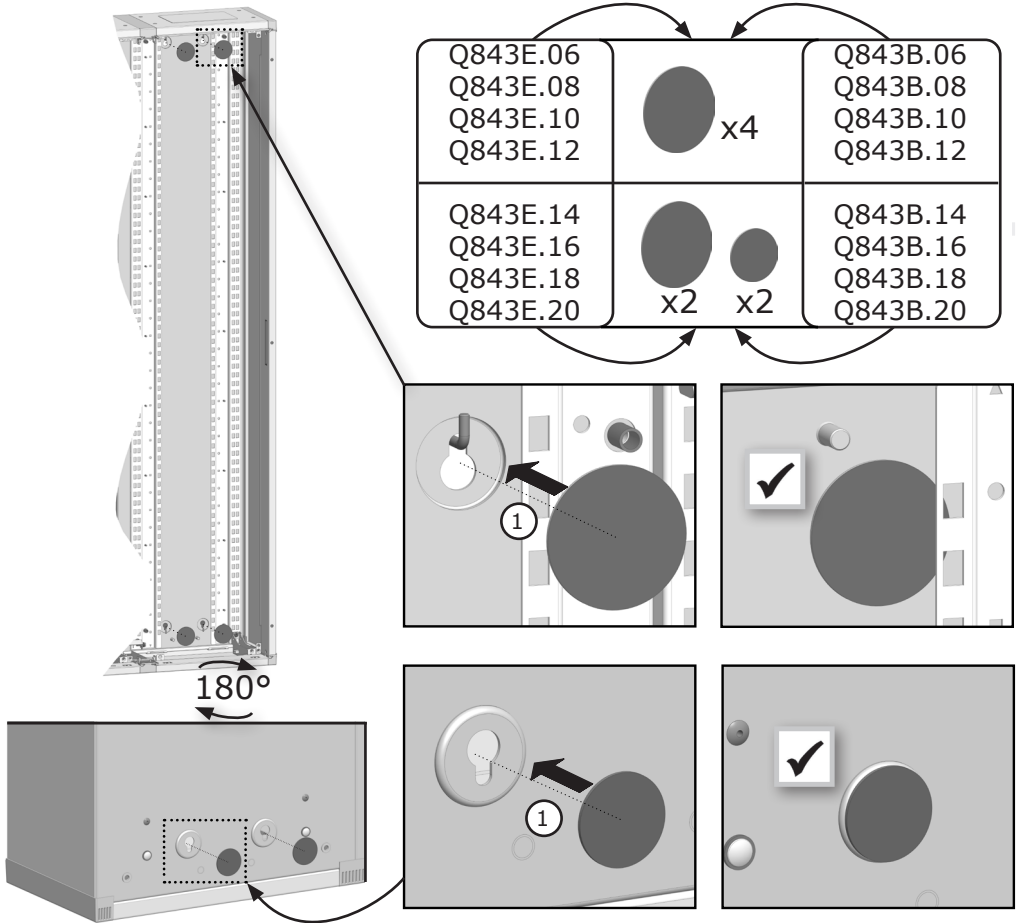
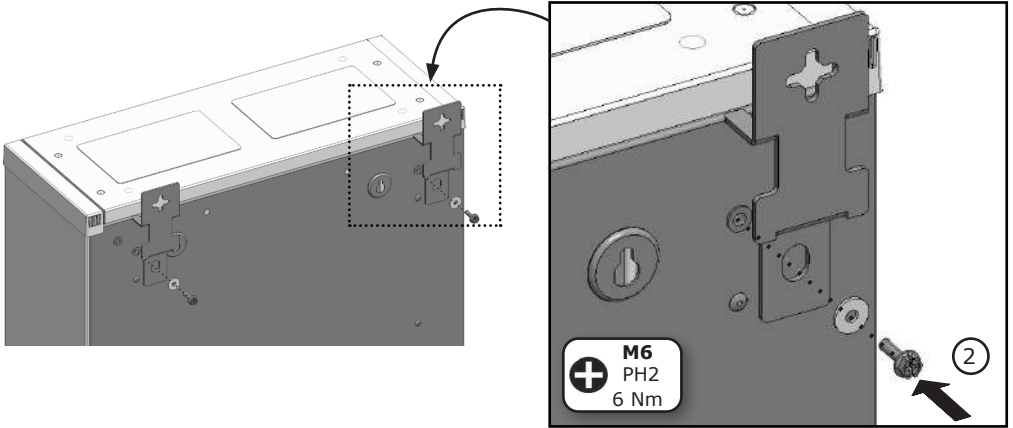


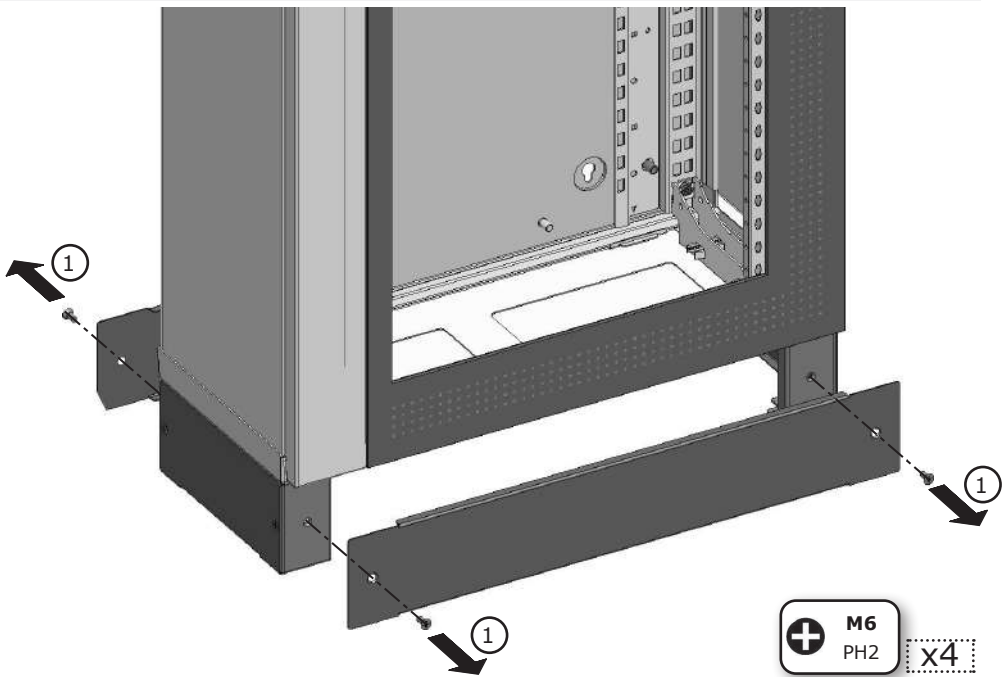
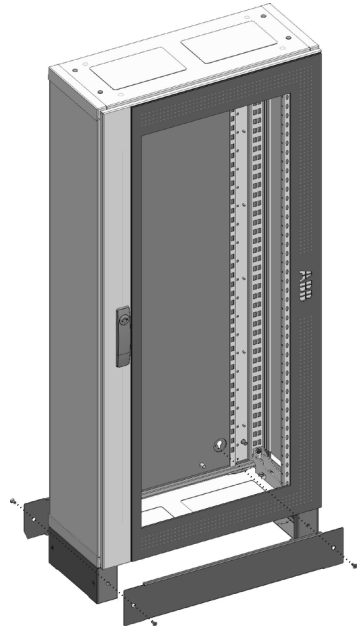
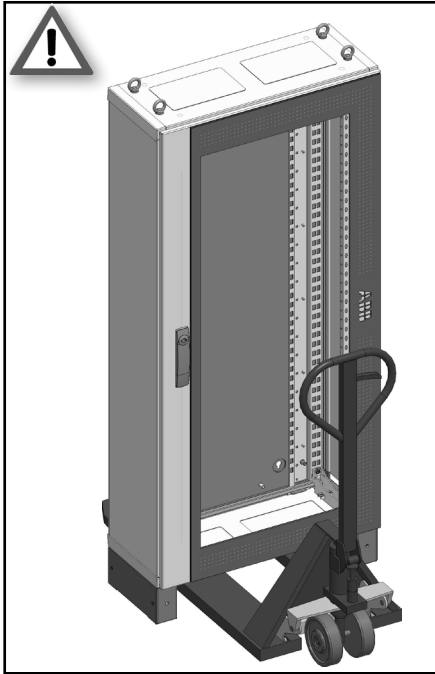
 **M6**
PH2
6 Nm

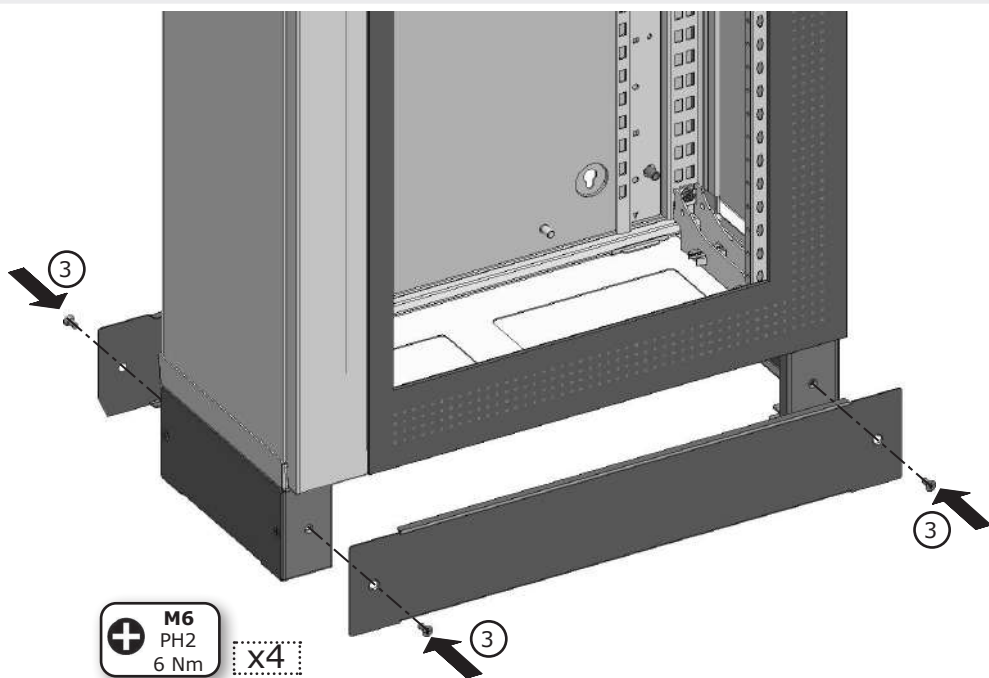
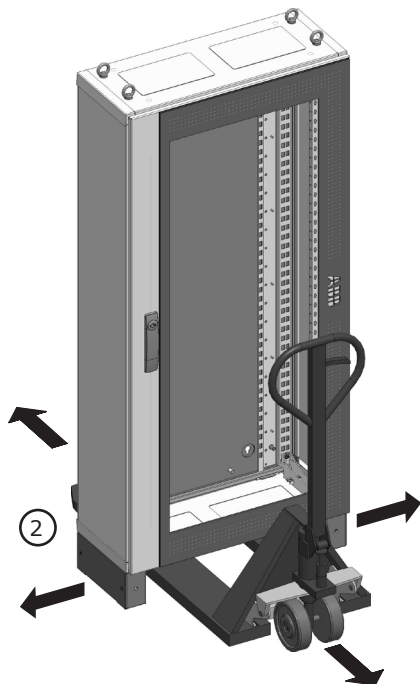


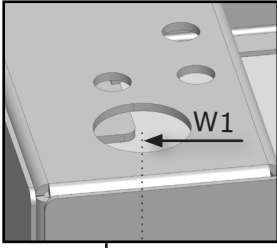
2b



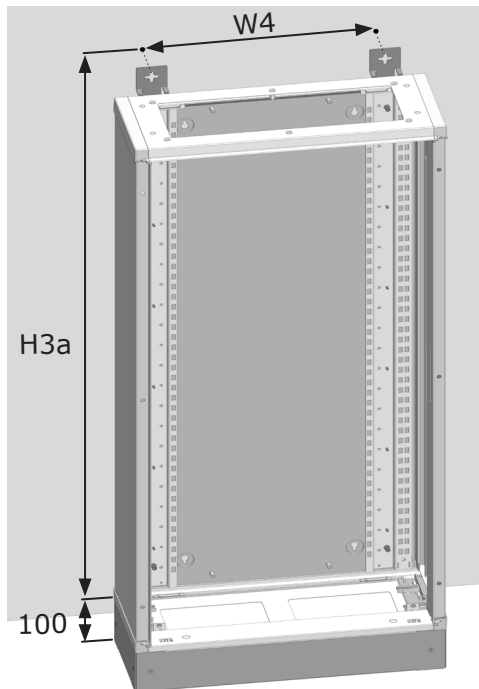
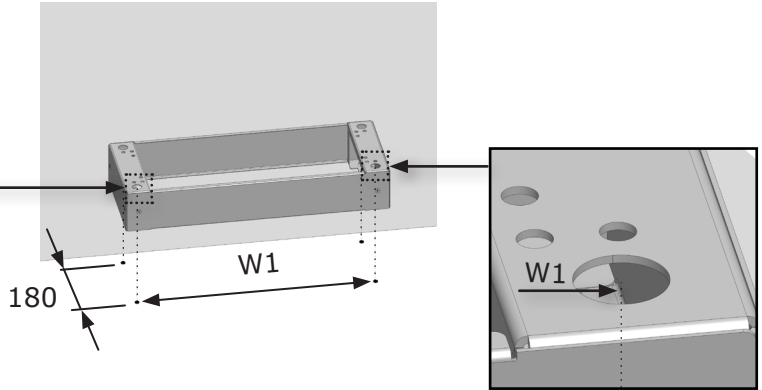


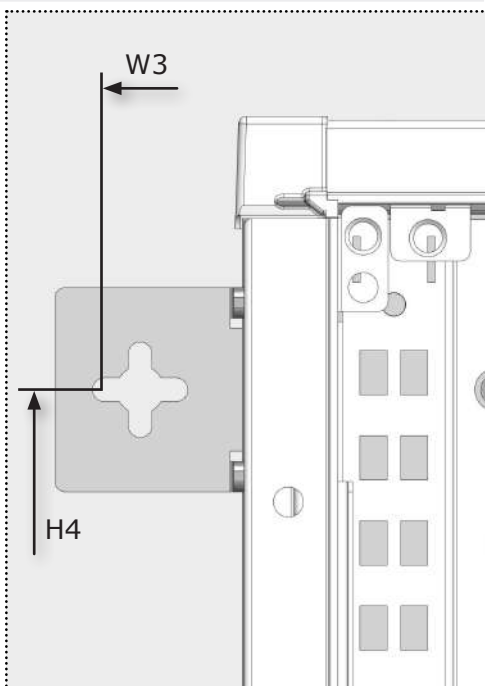
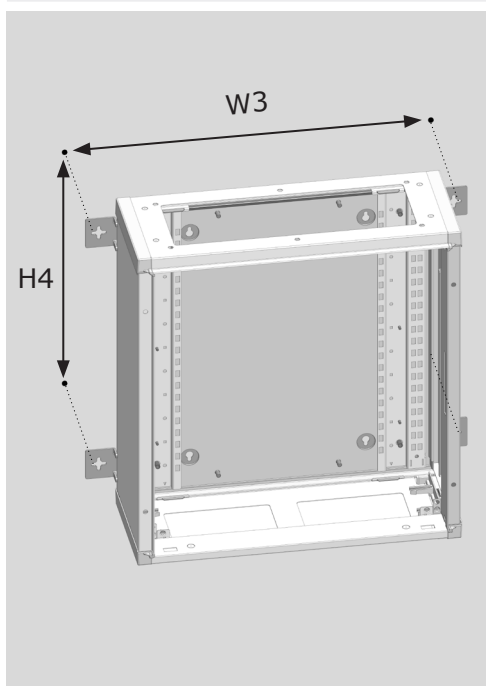
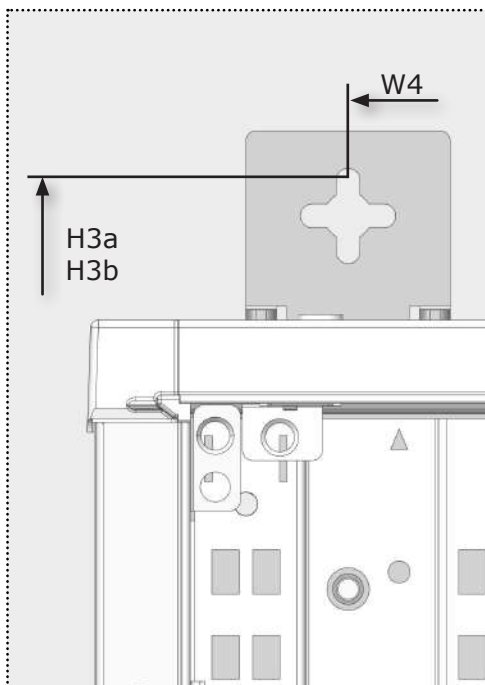
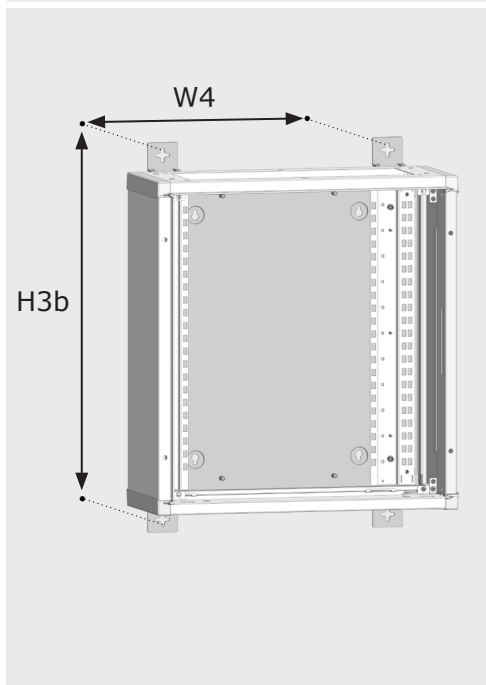


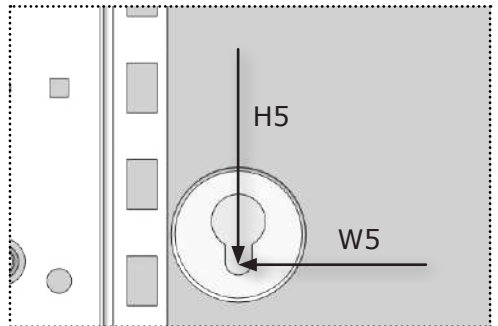
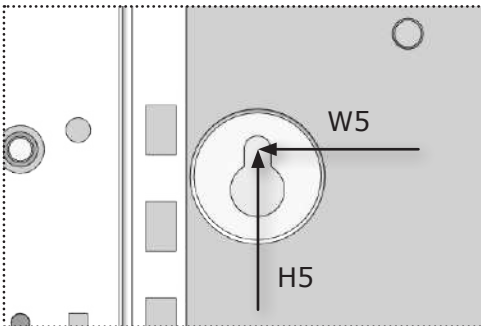
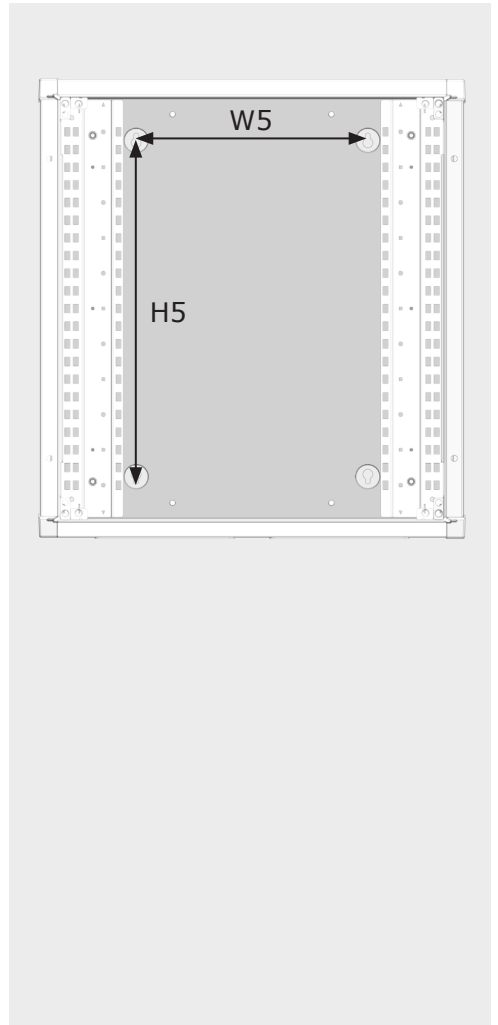
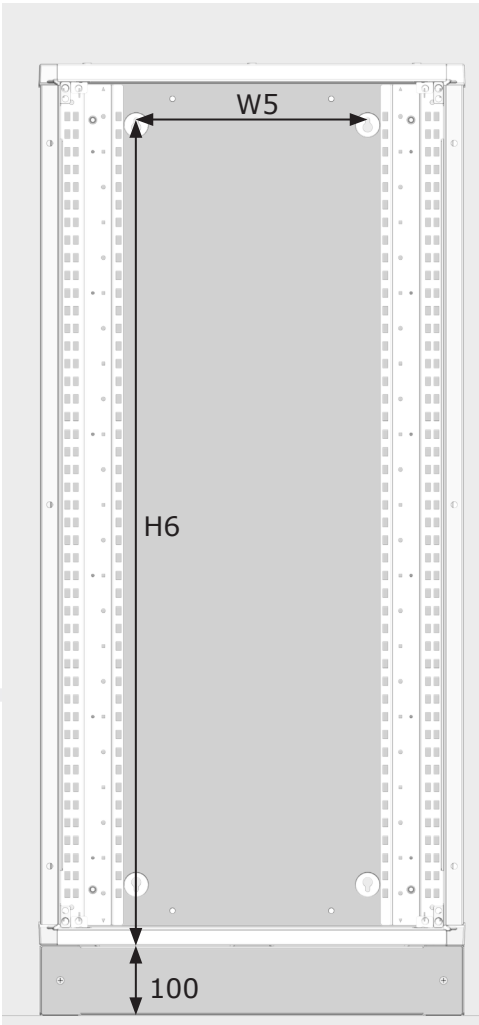




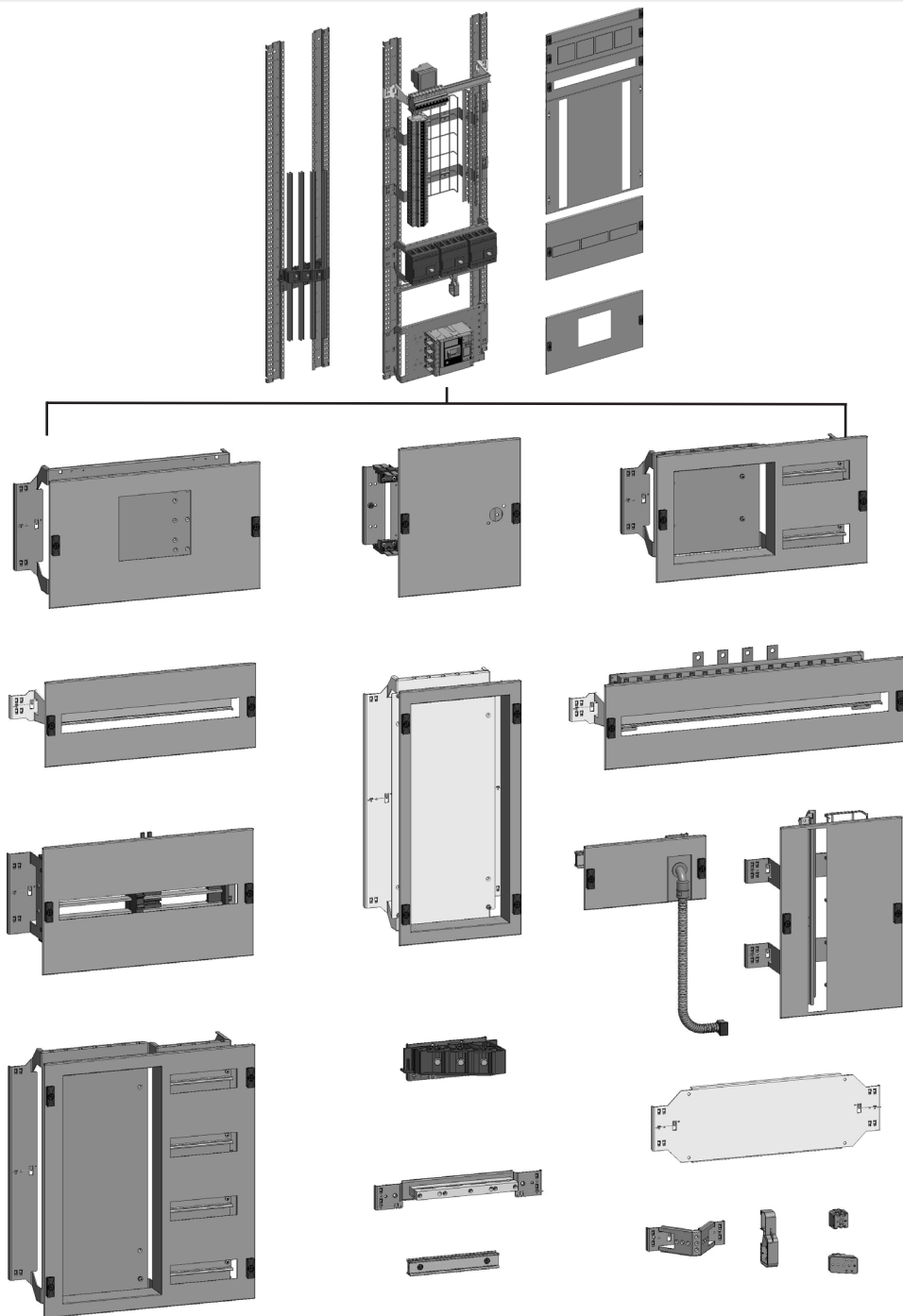
External dimensions	
Width x depth in mm	
Type	W1
Q855P401 / Q855PS401	327
Q855P601 / Q855PS601	543
Q855P801 / Q855PS801	759



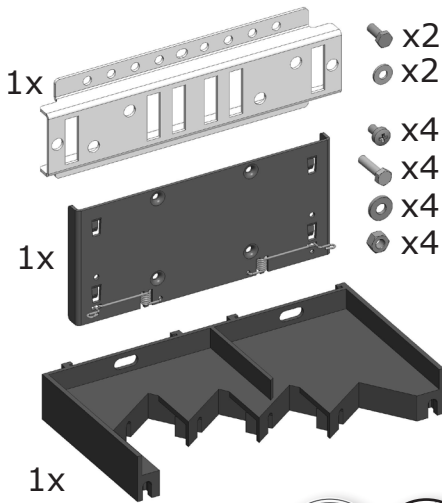




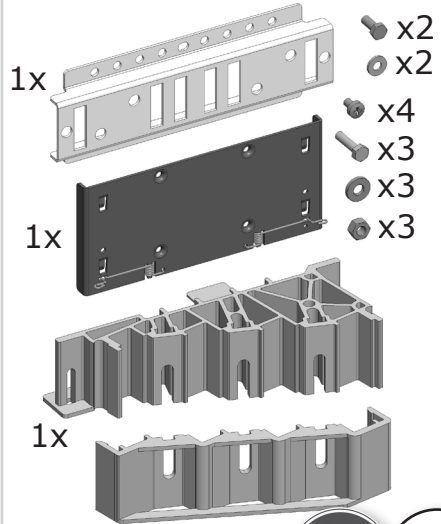
Cabinet			Wall fastening dimensions							
H	W	D	H3a	H3b	W3	H4	W4	W5	H5	H6
600	400	250		731	478	490	235	112	490	570
800	400	250		931	478	690	235	112	690	770
1000	400	250		1131	478	890	235	112	890	970
1200	400	250		1331	478	1090	235	112	1090	1170
1400	400	250	1490		478	1290	235	112	1290	1370
1600	400	250	1690		478	1490	235	112	1490	1570
1800	400	250	1890		478	1690	235	112	1690	1770
2000	400	250	2090		478	1890	235	112	1890	1970
600	600	250		731	694	490	451	328	490	570
800	600	250		931	694	690	451	328	690	770
1000	600	250		1131	694	890	451	328	890	970
1200	600	250		1331	694	1090	451	328	1090	1170
1400	600	250	1490		694	1290	451	328	1290	1370
1600	600	250	1690		694	1490	451	328	1490	1570
1800	600	250	1890		694	1690	451	328	1690	1770
2000	600	250	2090		694	1890	451	328	1890	1970
600	800	250		731	910	490	667	544	490	570
800	800	250		931	910	690	667	544	690	770
1000	800	250		1131	910	890	667	544	890	970
1200	800	250		1331	910	1090	667	544	1090	1170
1400	800	250	1490		910	1290	667	544	1290	1370
1600	800	250	1690		910	1490	667	544	1490	1570
1800	800	250	1890		910	1690	667	544	1690	1770
2000	800	250	2090		910	1890	667	544	1890	1970



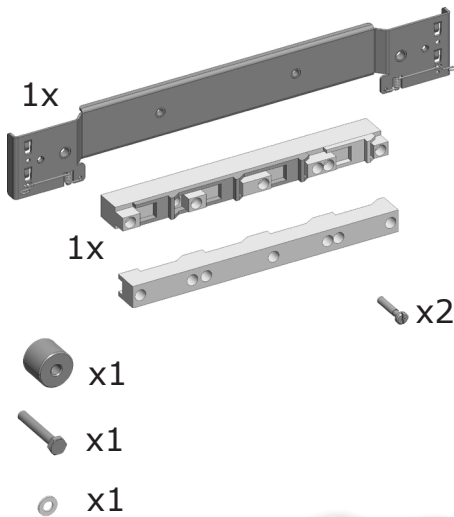
QR6V4FS01



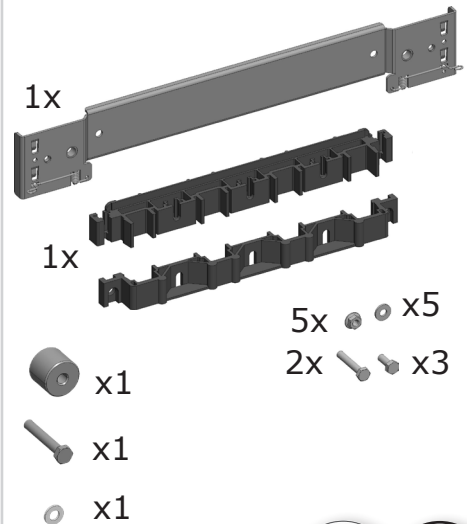
QR8V4SS01



QR6V.FF01

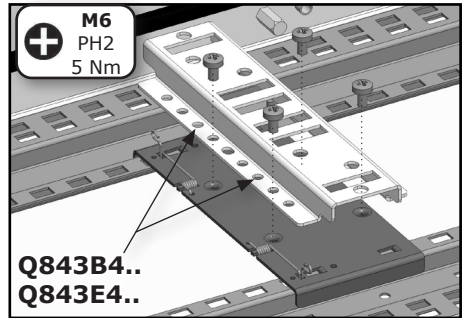
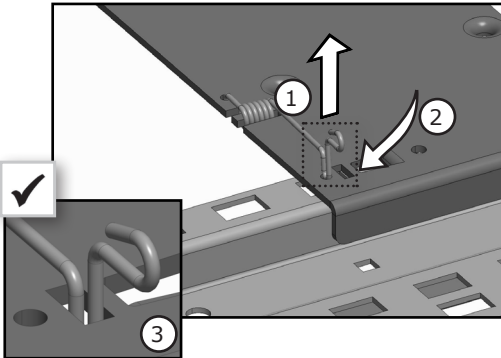
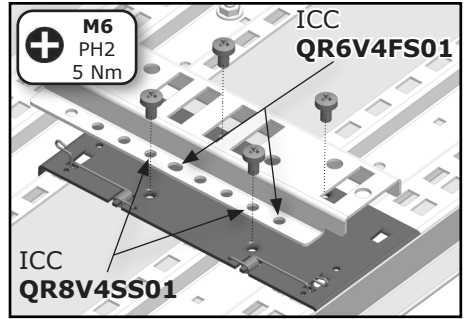
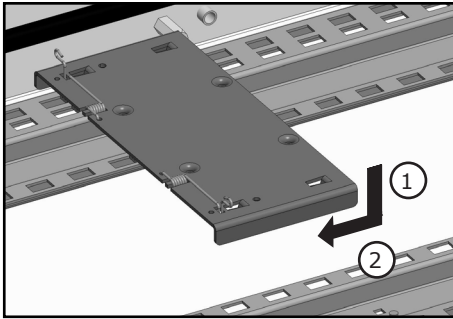
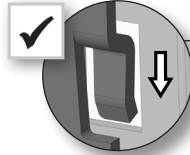
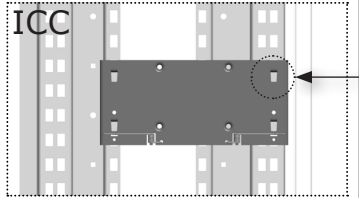
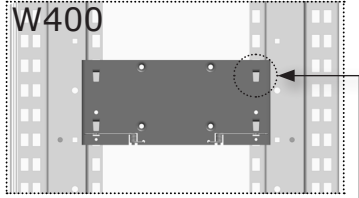
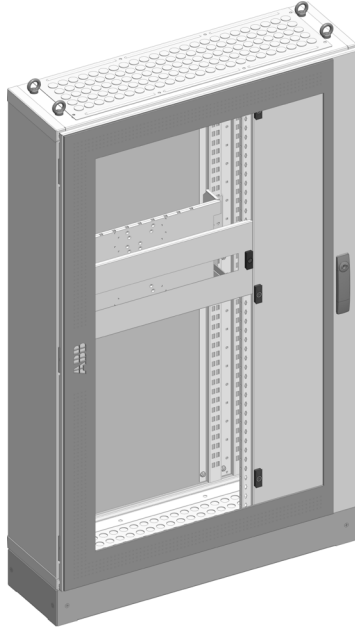
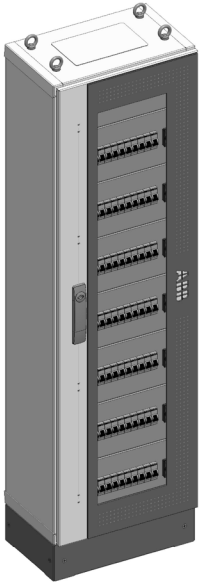


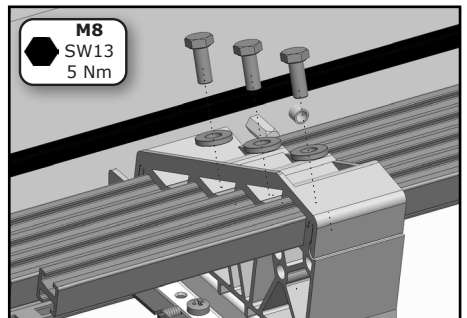
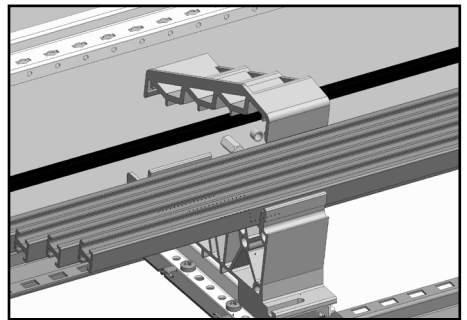
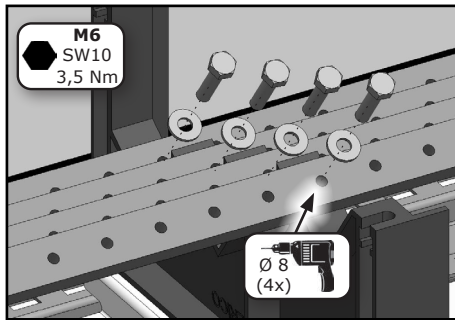
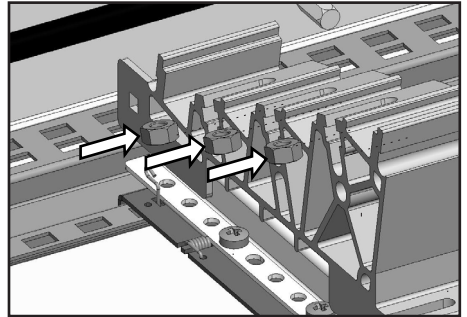
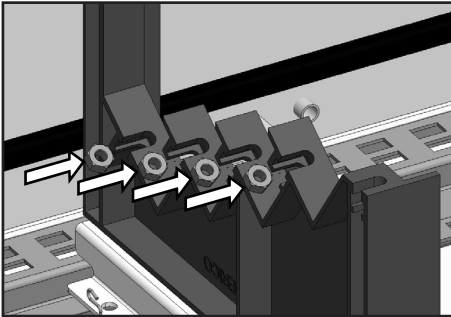
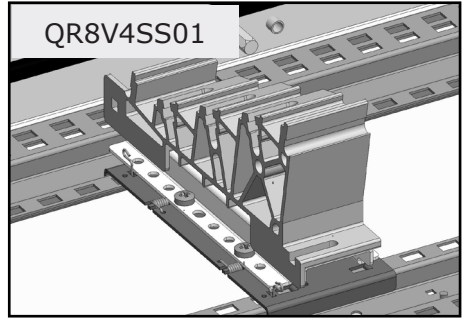
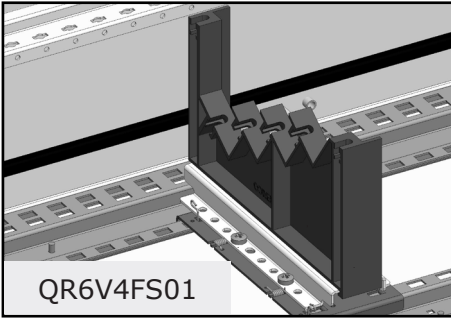
QR8V.SF01

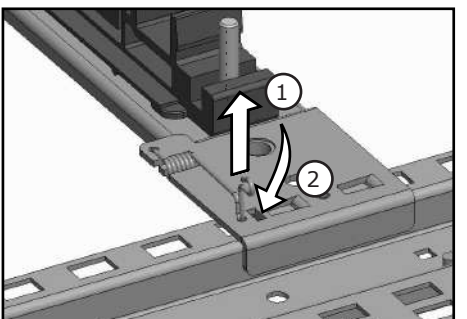
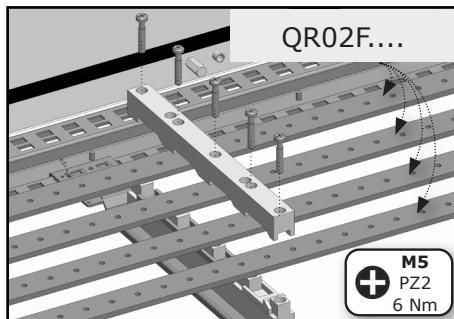
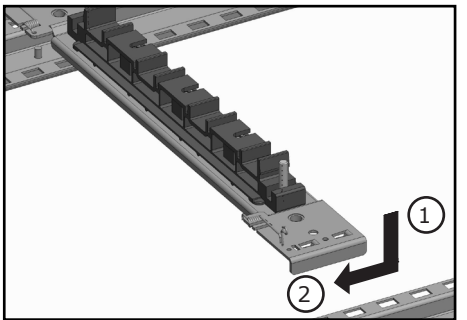
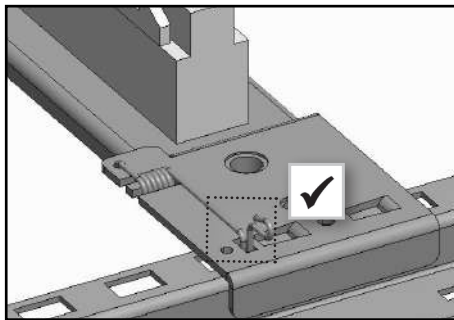
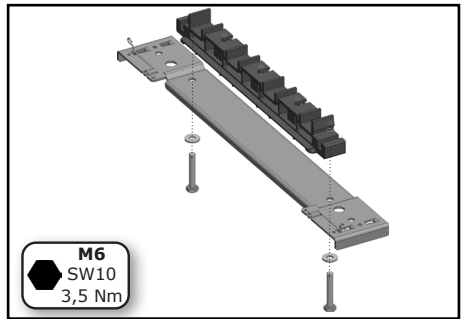
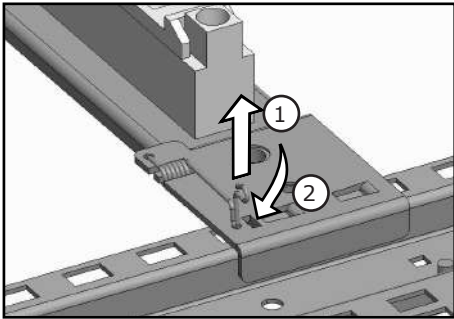
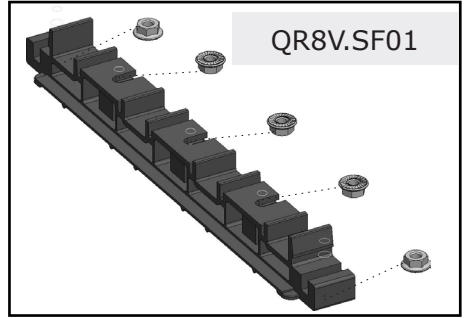
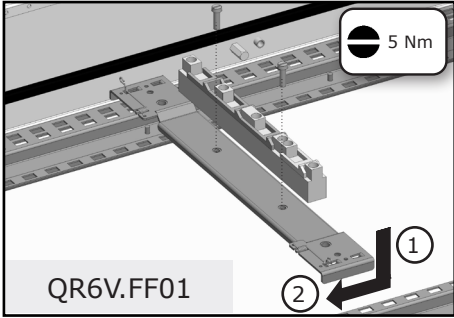


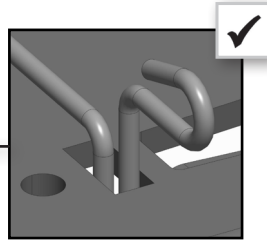
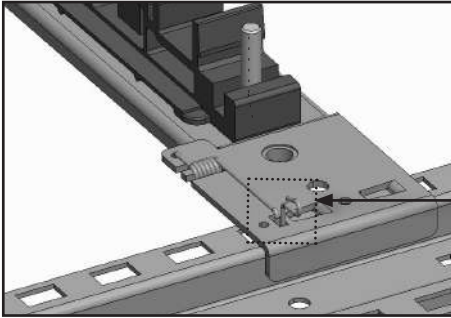
W400

800mm ICC

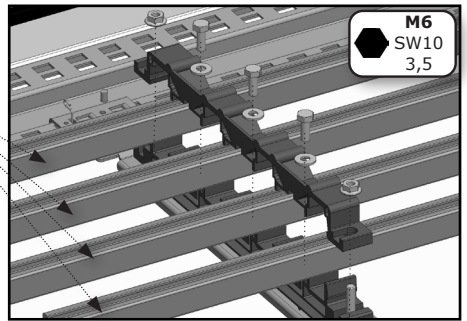








BA0400
BA0800



M6
SW10
3,5

QR8H.SS01

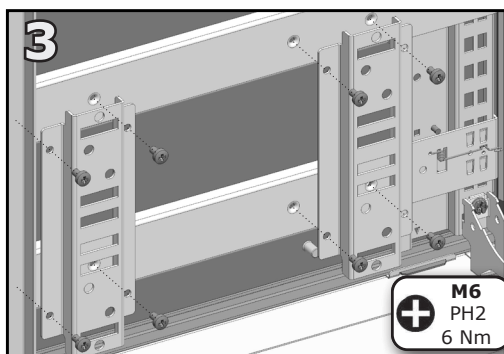
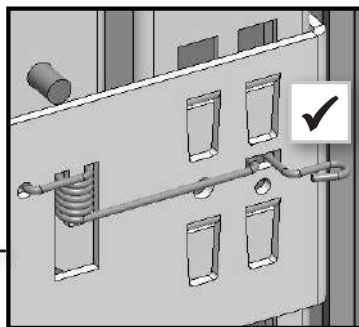
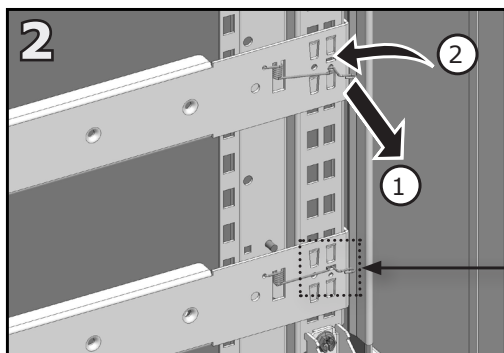
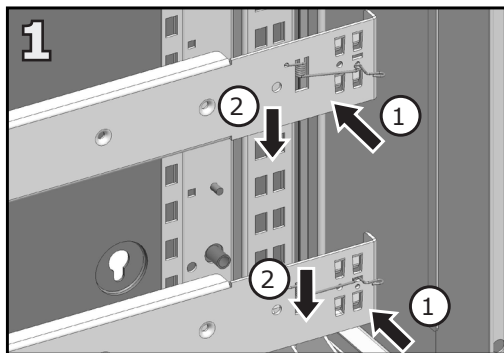
- 2x [Rail]
- 2x/3x [Terminal block]
- 2x/3x [Terminal block]
- x4/6 [Screw]
- x4/6 [Screw]
- x8/12 [Screw]
- x6/9 [Screw]
- x6/9 [Screw]
- x6/9 [Screw]

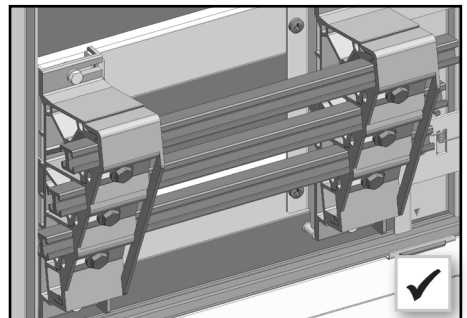
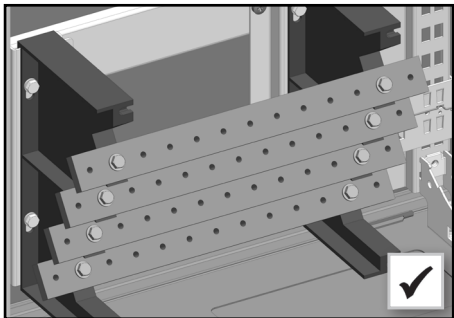
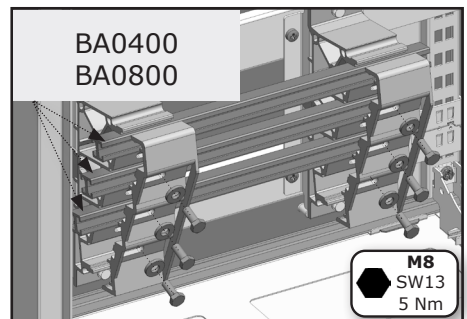
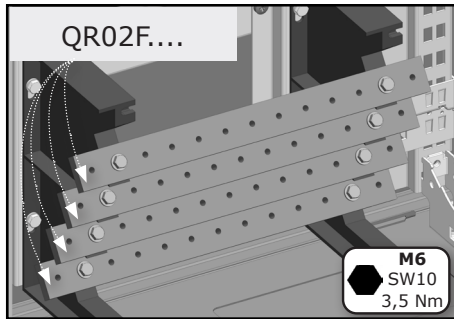
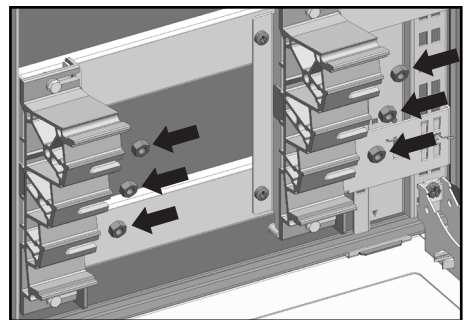
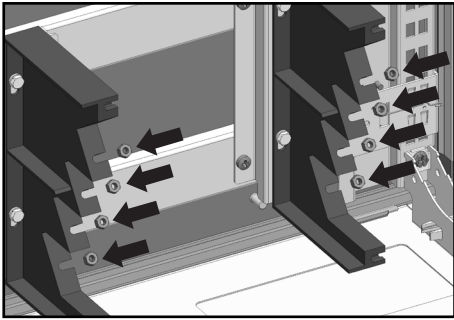
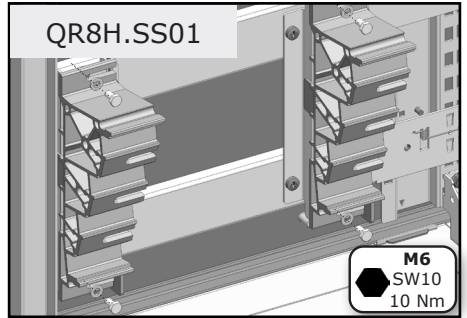
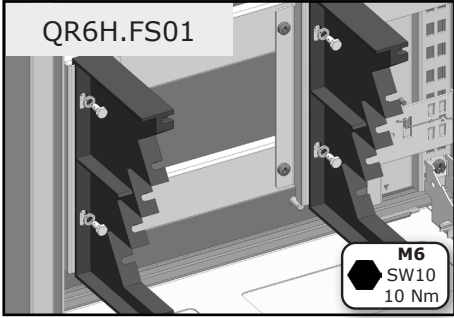
C9

QR6H.FS01

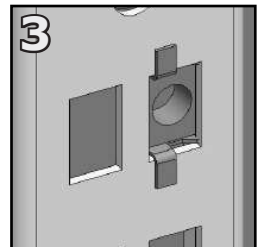
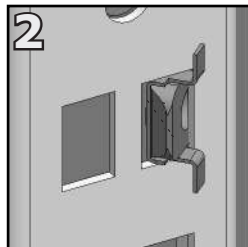
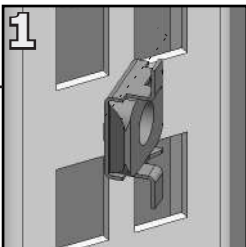
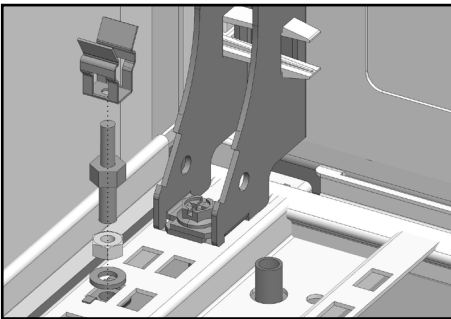
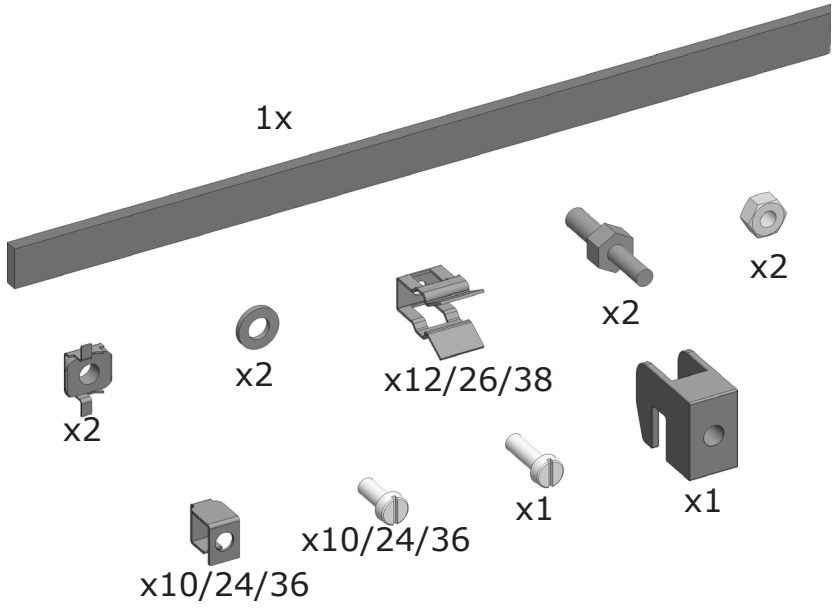
- 2x [Rail]
- 2x/3x [Terminal block]
- 2x/3x [Terminal block]
- x4/6 [Screw]
- x4/6 [Screw]
- x8/12 [Screw]
- x8/12 [Screw]
- x8/12 [Screw]
- x8/12 [Screw]

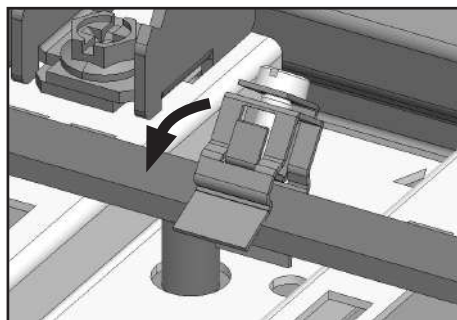
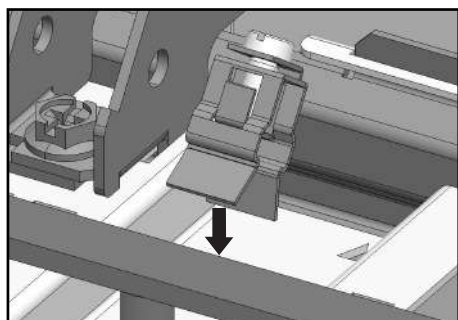
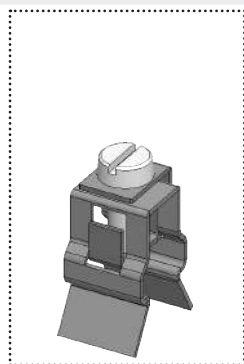
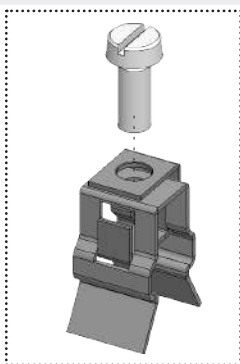
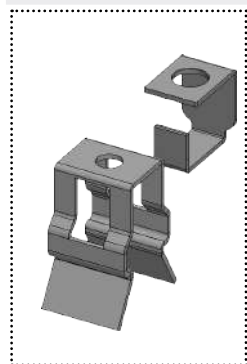
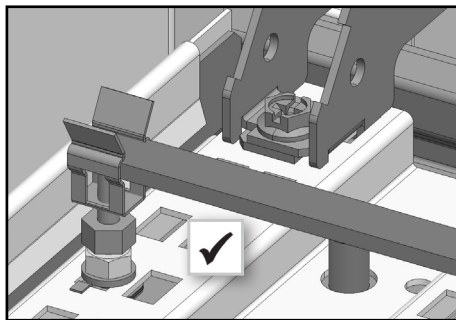
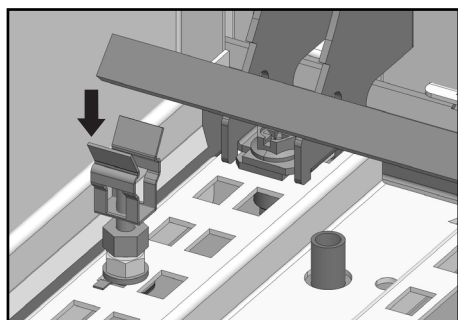
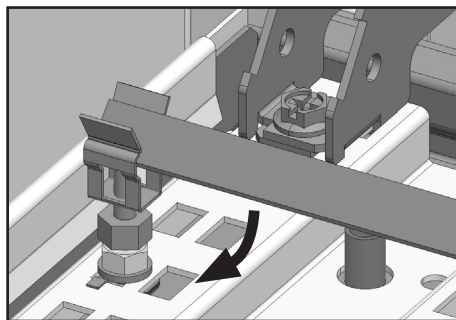
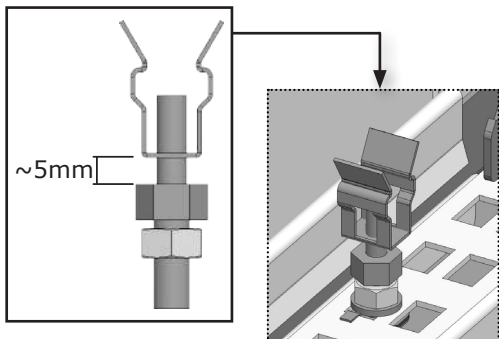
C9

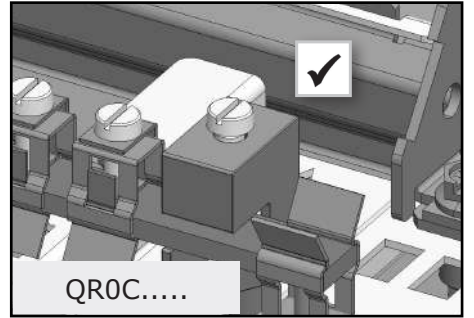
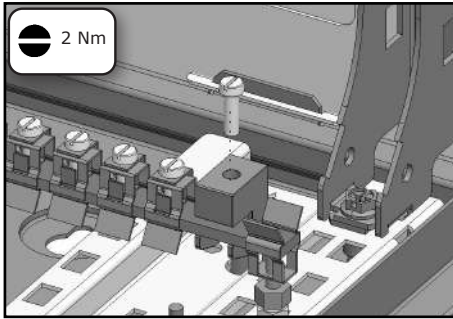
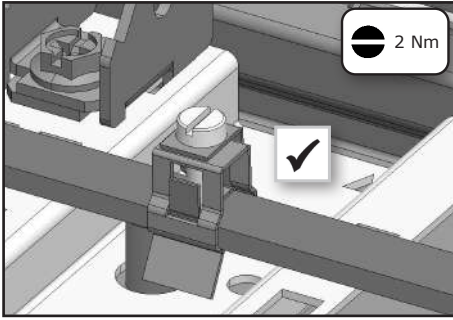




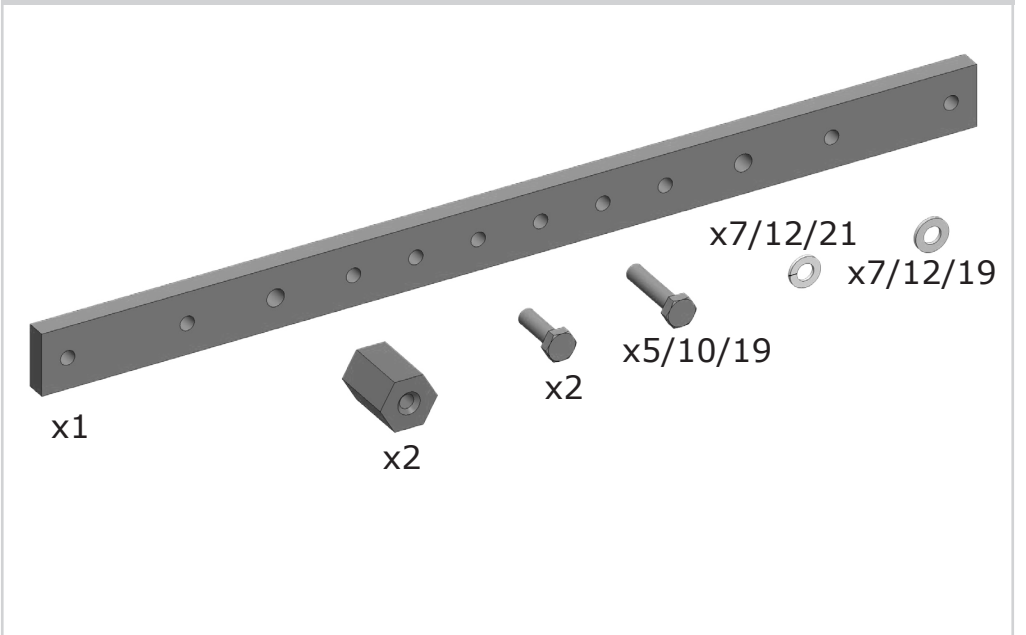
QR.PC301.

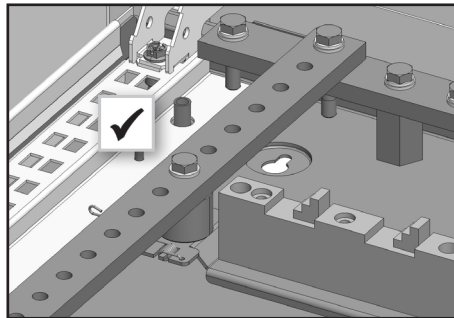
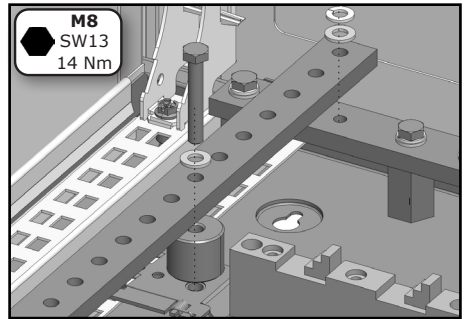
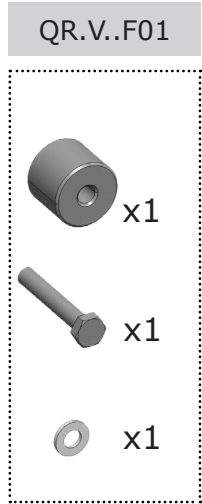
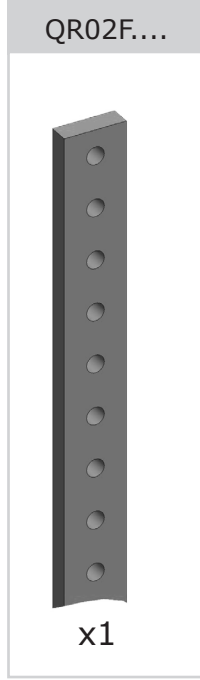
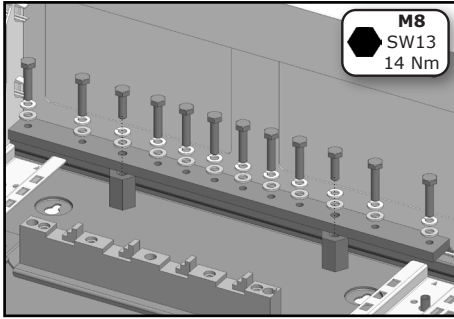
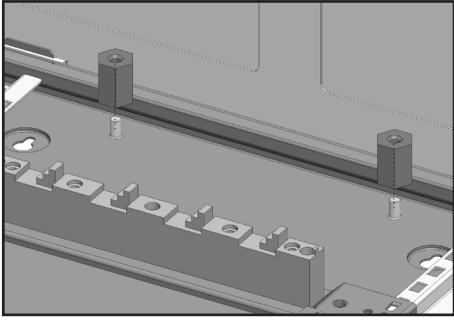




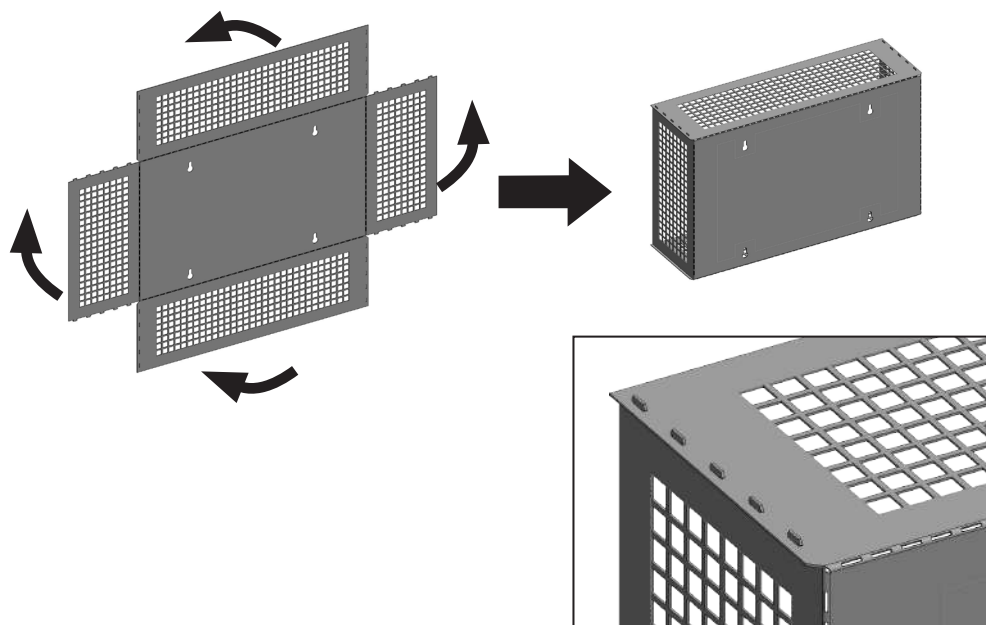
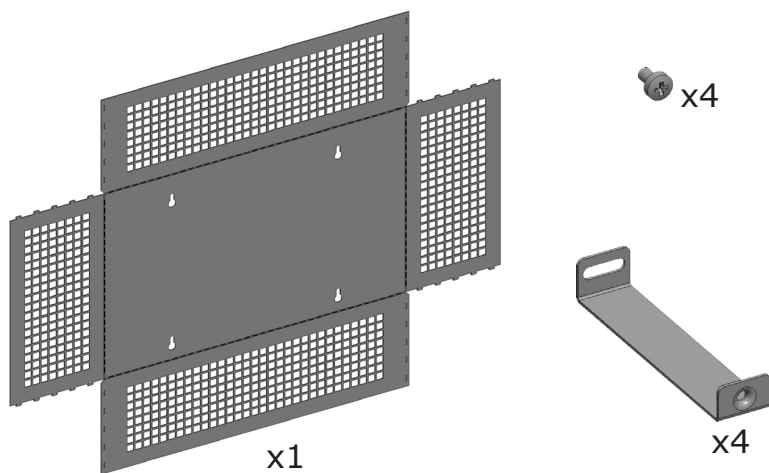


QR.HP.010

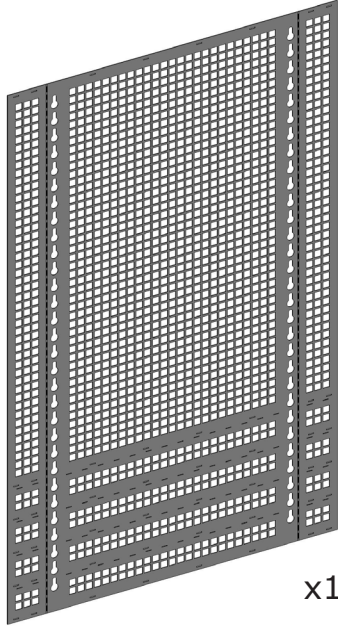




QRFW.63001



QRFV6.001

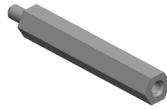


x1

QRFV6C001



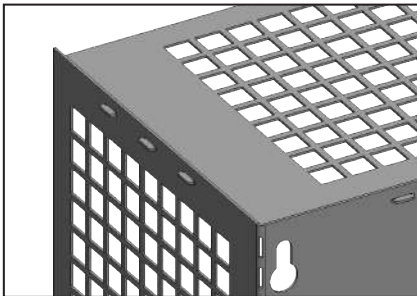
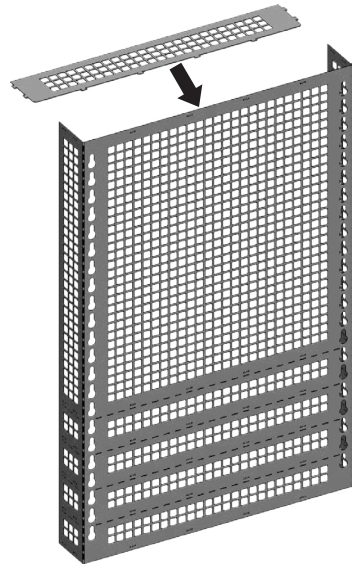
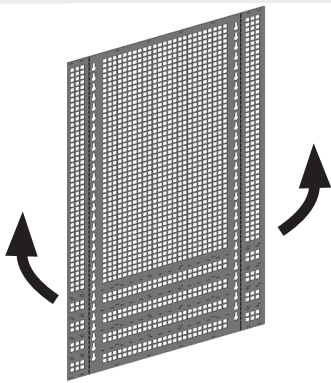
x2



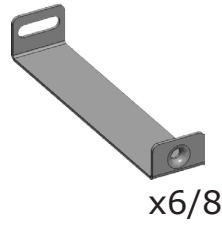
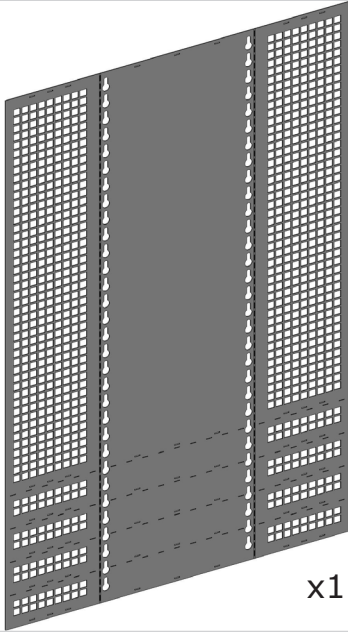
x6/8



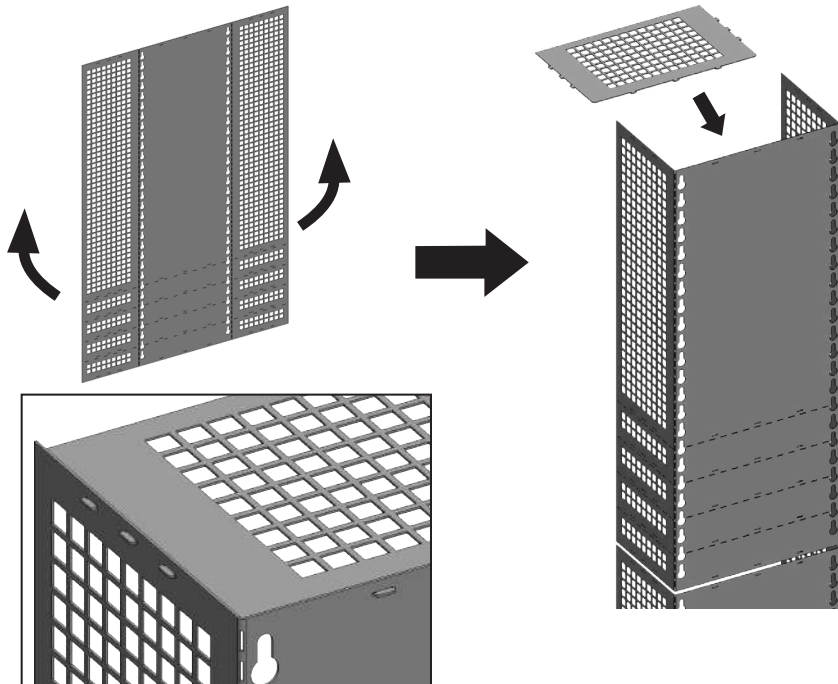
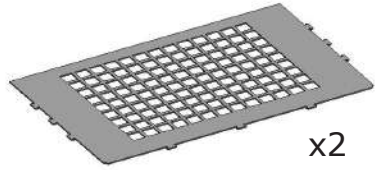
x6/8

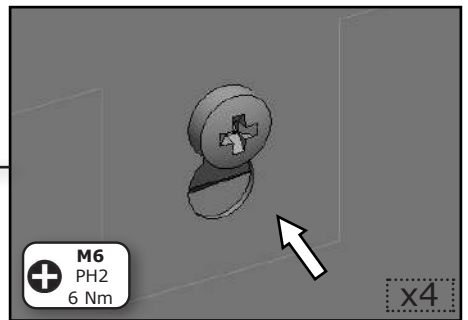
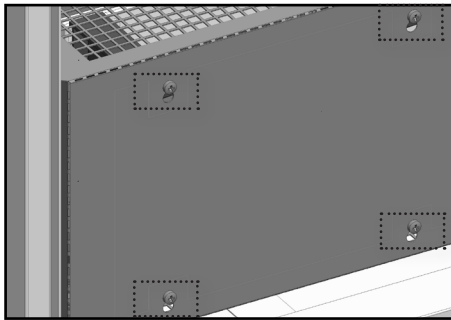
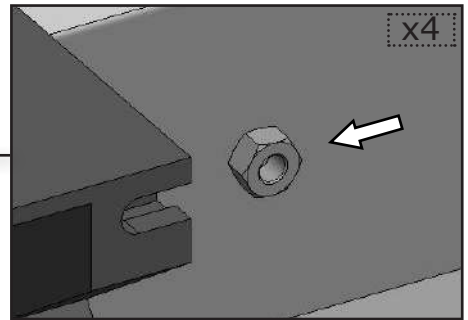
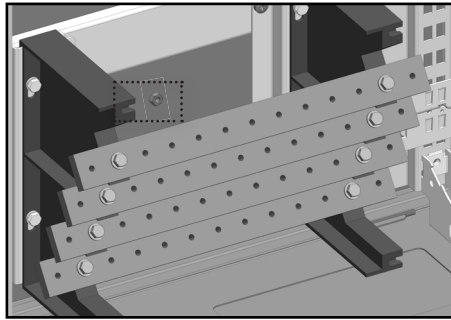
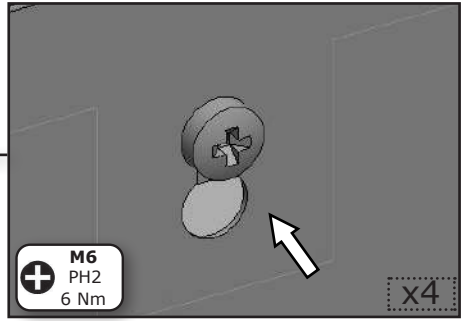
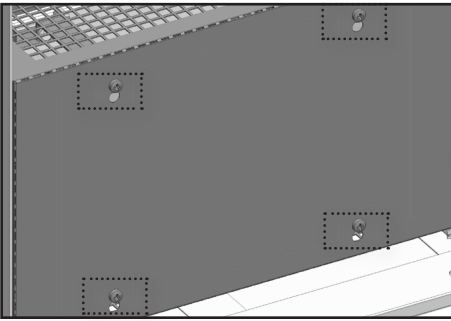
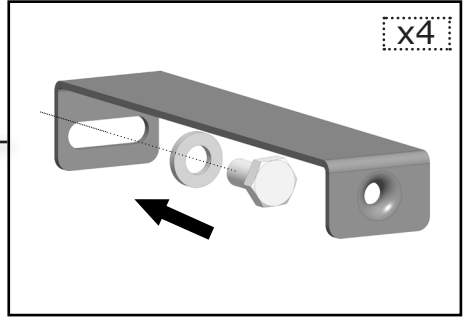
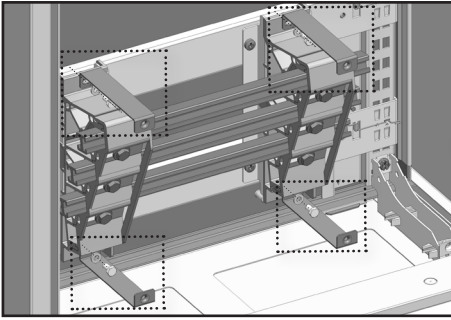


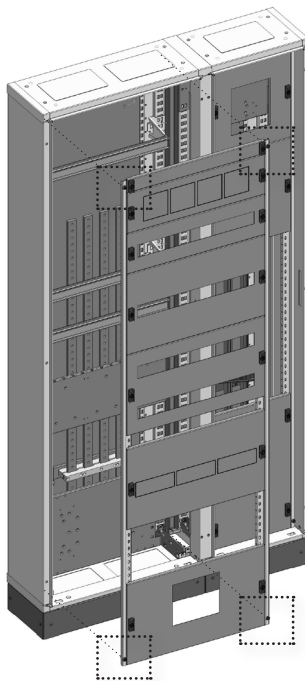
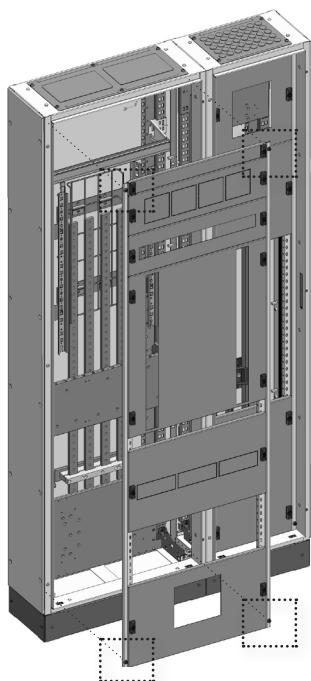
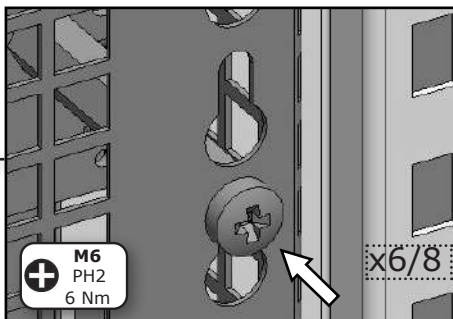
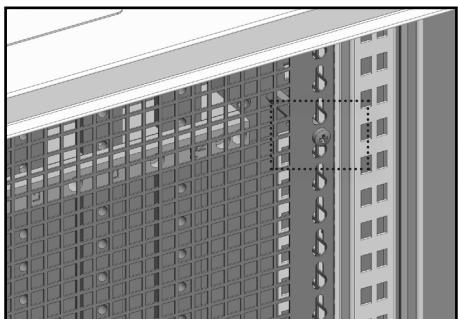
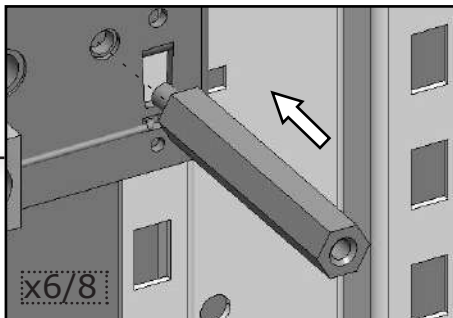
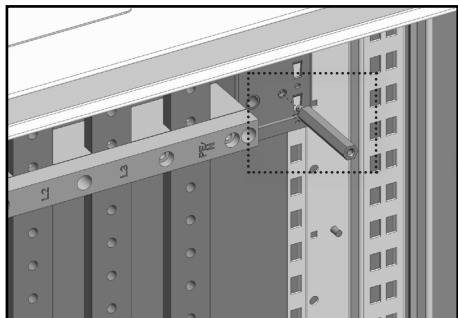
QRFV4.001

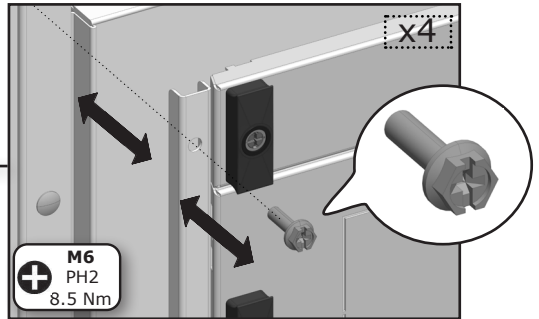
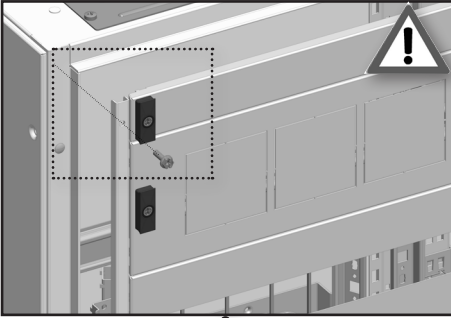


QRFV4C001

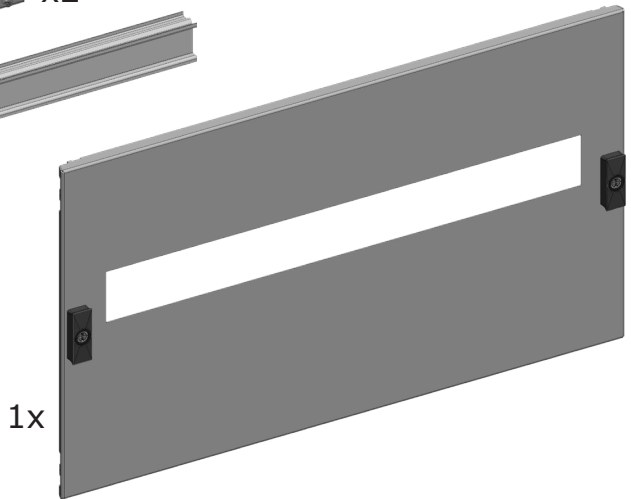
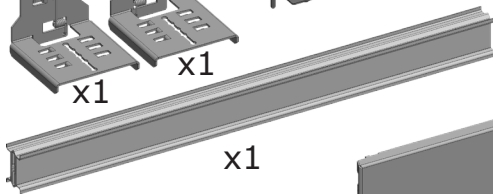
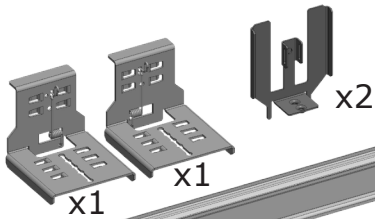


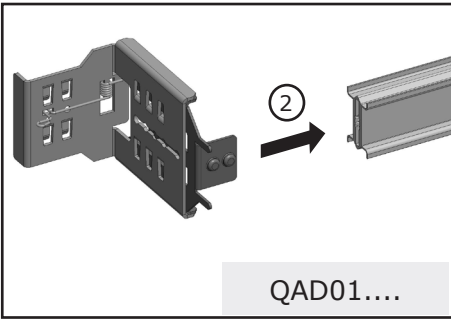
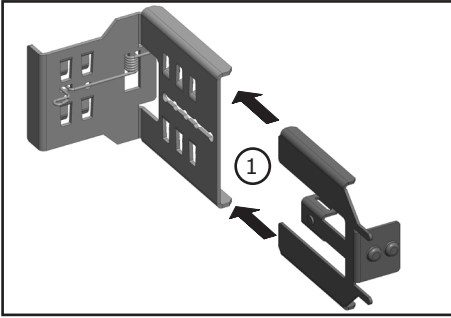




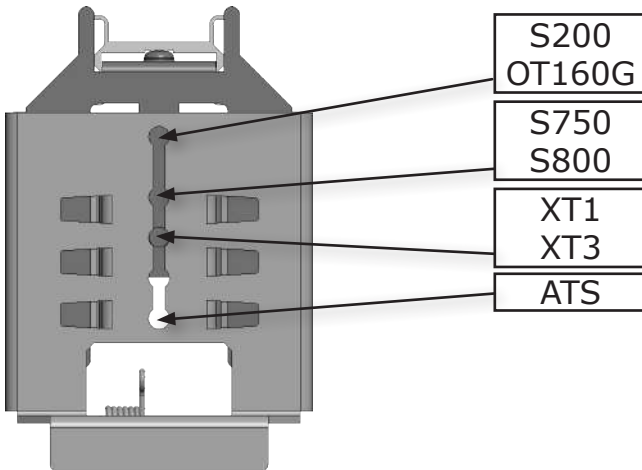
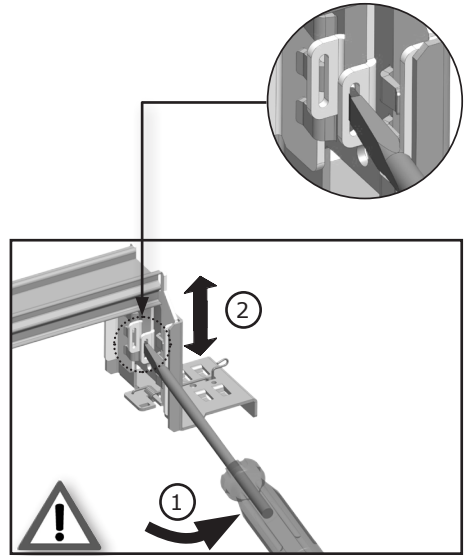


QDS1B.300 / QDS1.300A

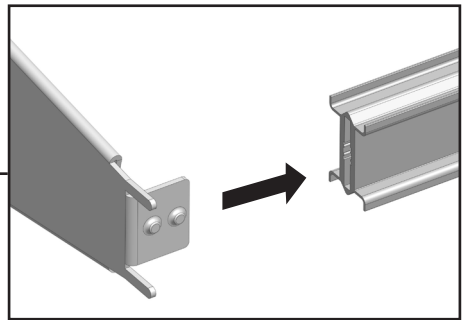
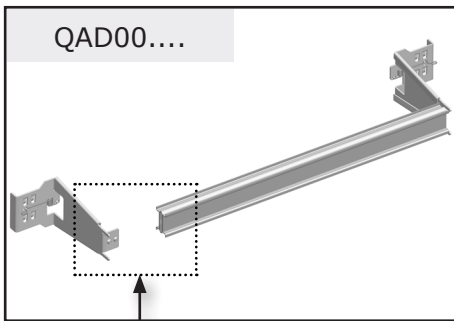
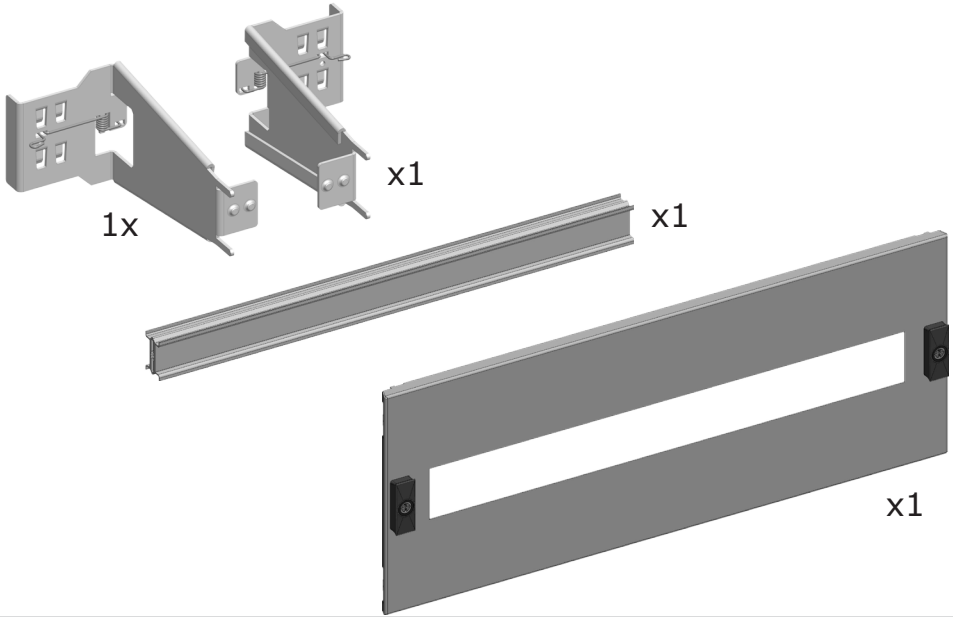




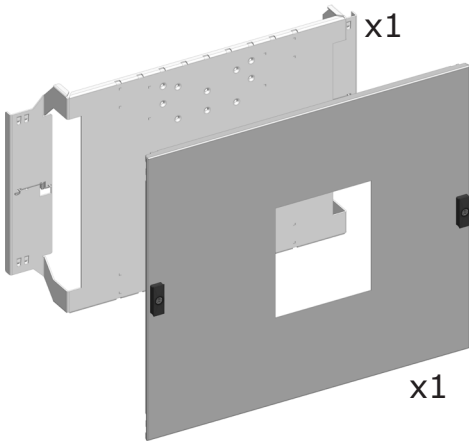
QAD01....



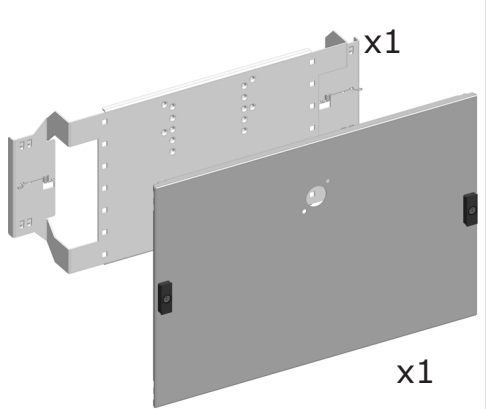
QDS....00



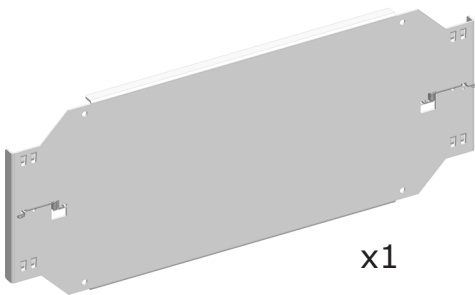
QB.....



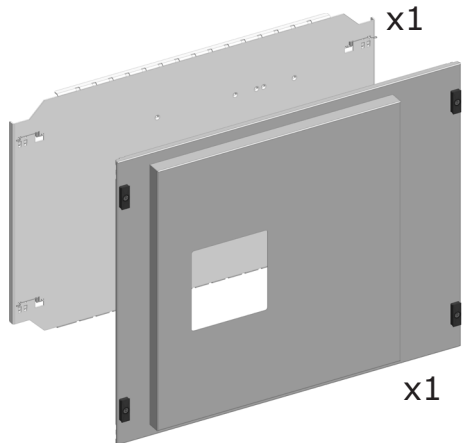
QS.....

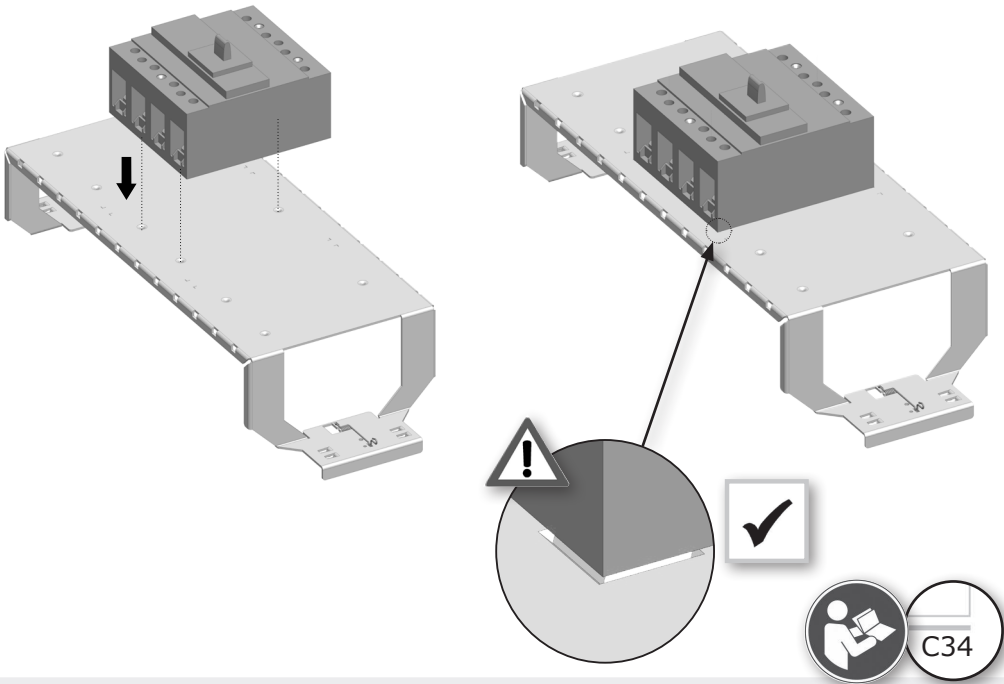


QM0.....

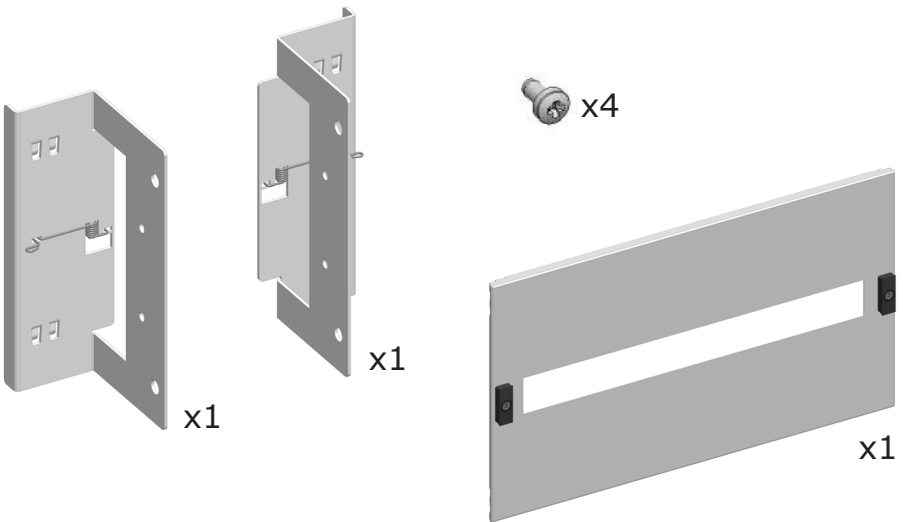


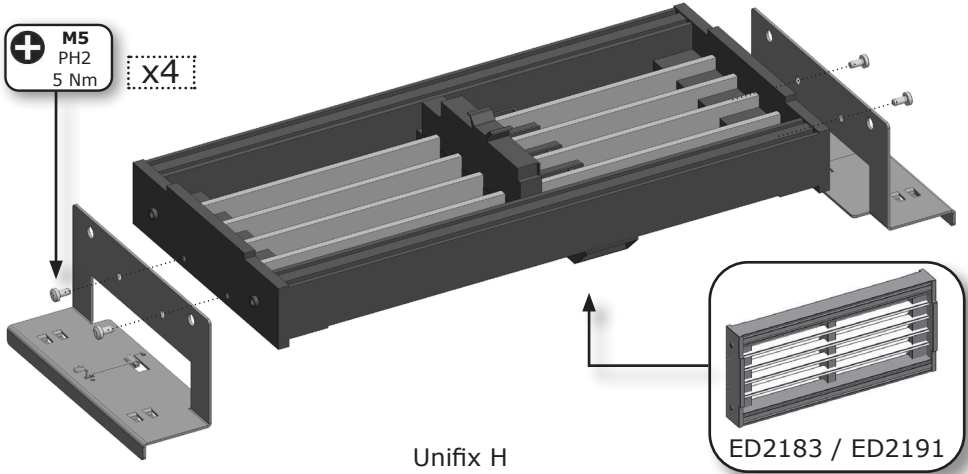
QL...60000



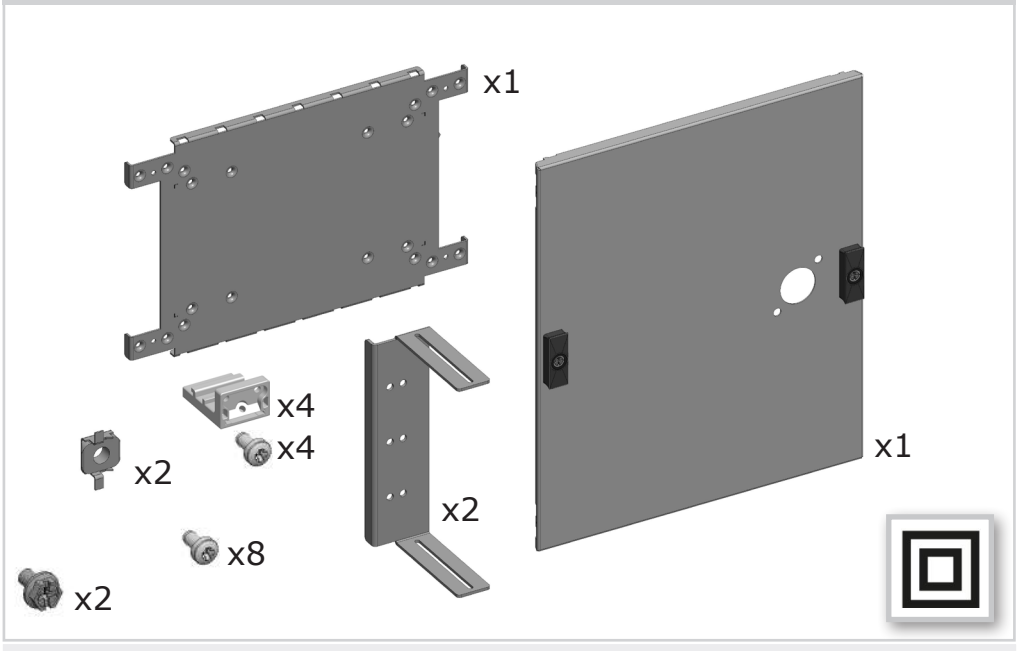


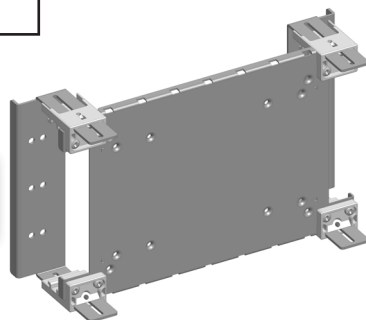
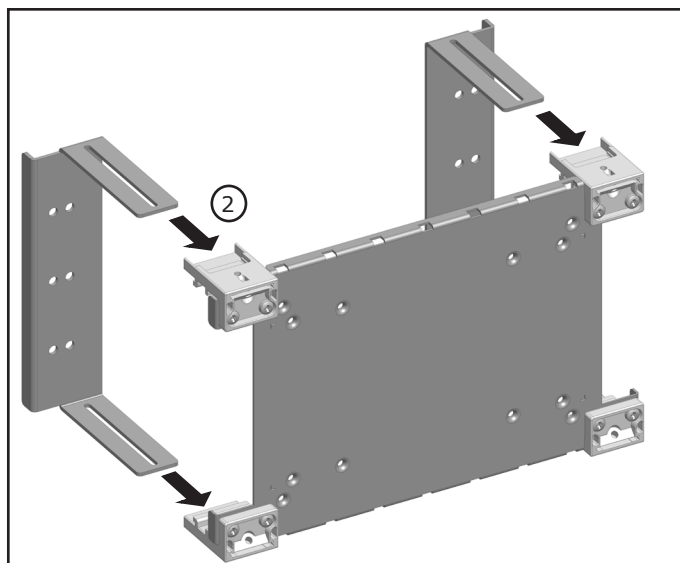
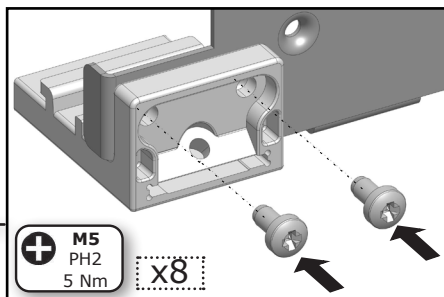
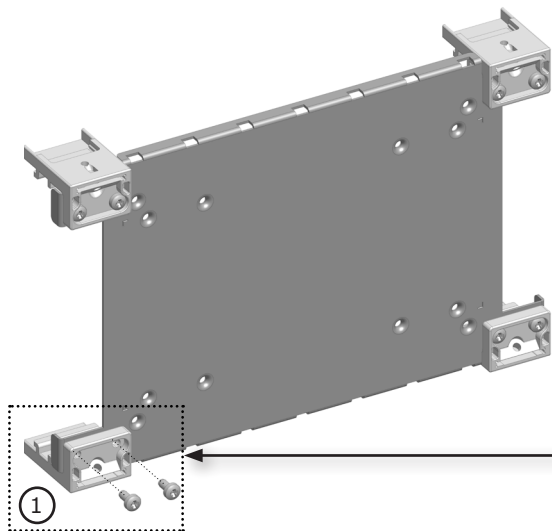
QUS1.3000

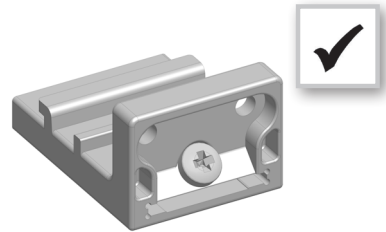
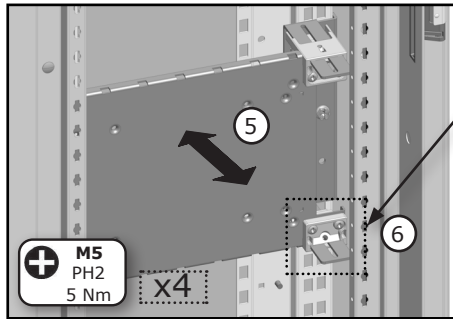
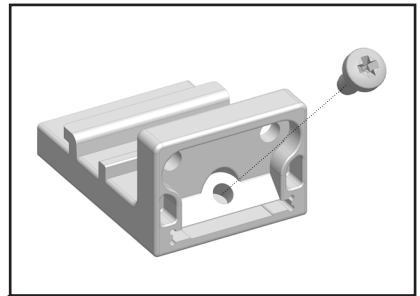
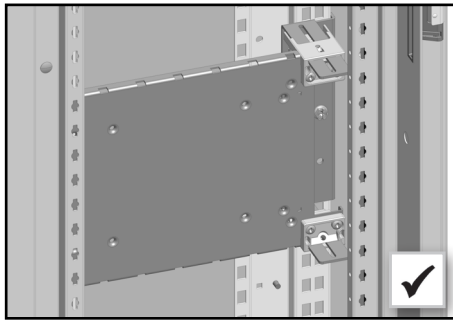
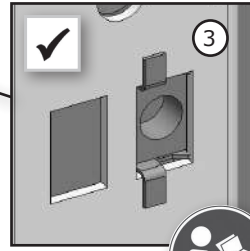
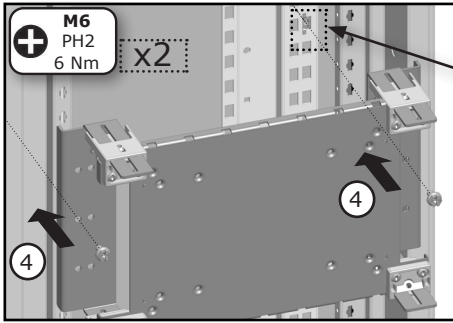


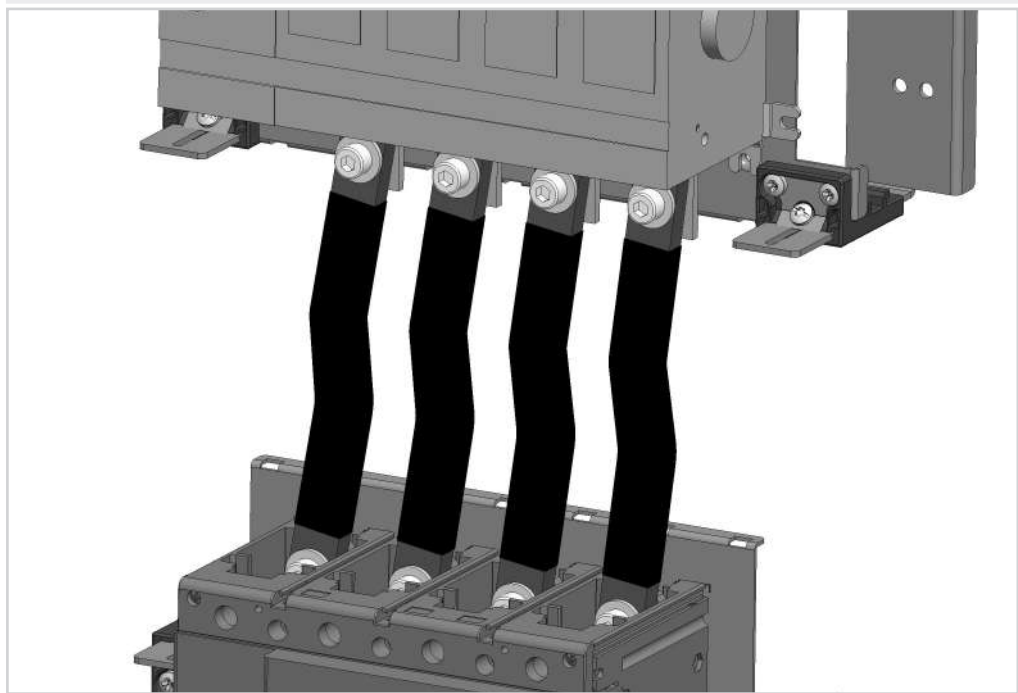
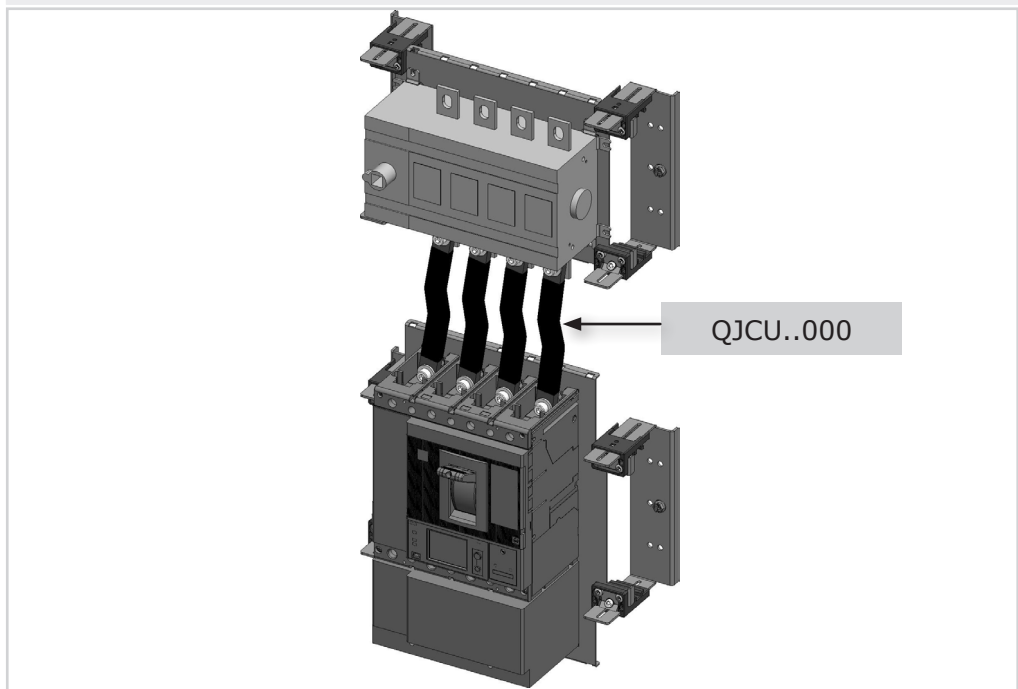


QJ.....RC / QJ.....HL

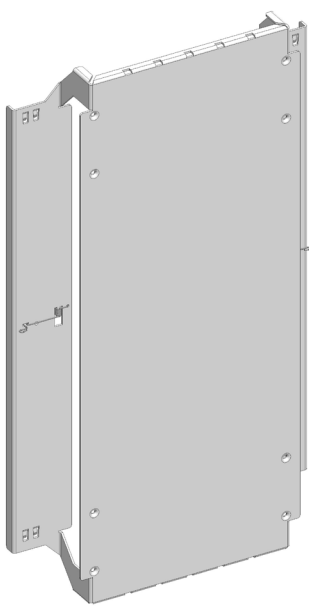








QTB3V.600



x1



x1

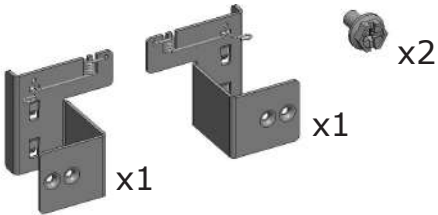


x4



C34

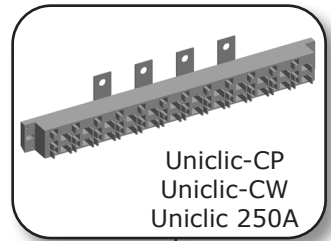
QAM...000



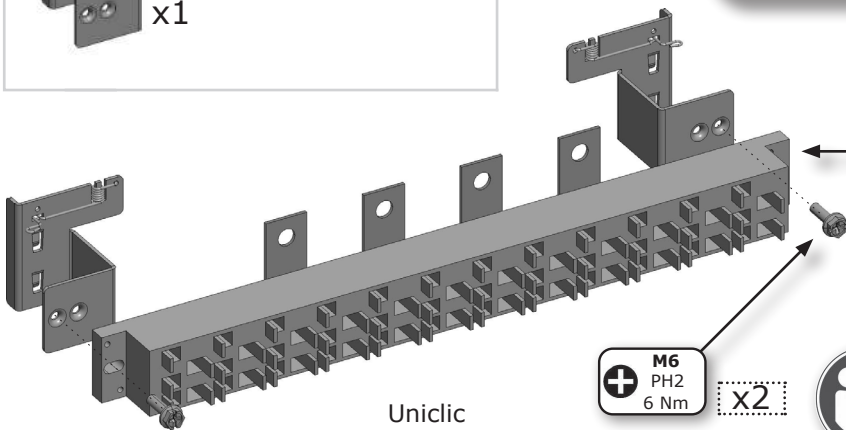
x1

x1

x2



Uniclic-CP
Uniclic-CW
Uniclic 250A



Uniclic

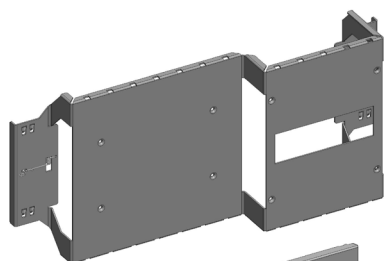


x2



C34

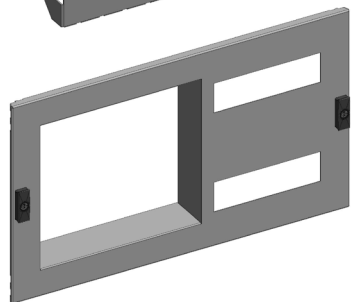
QTB1V6300



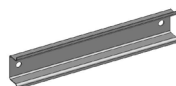
x1



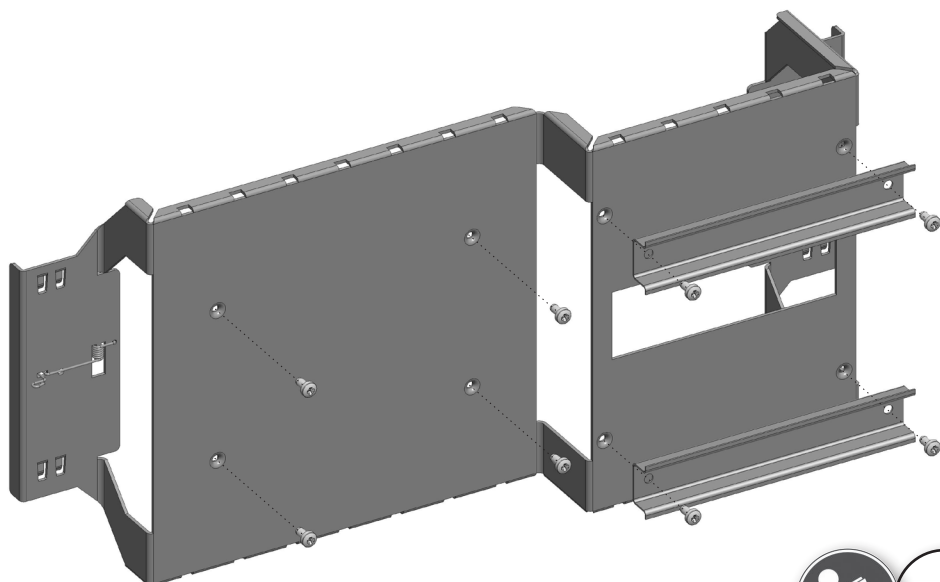
x8



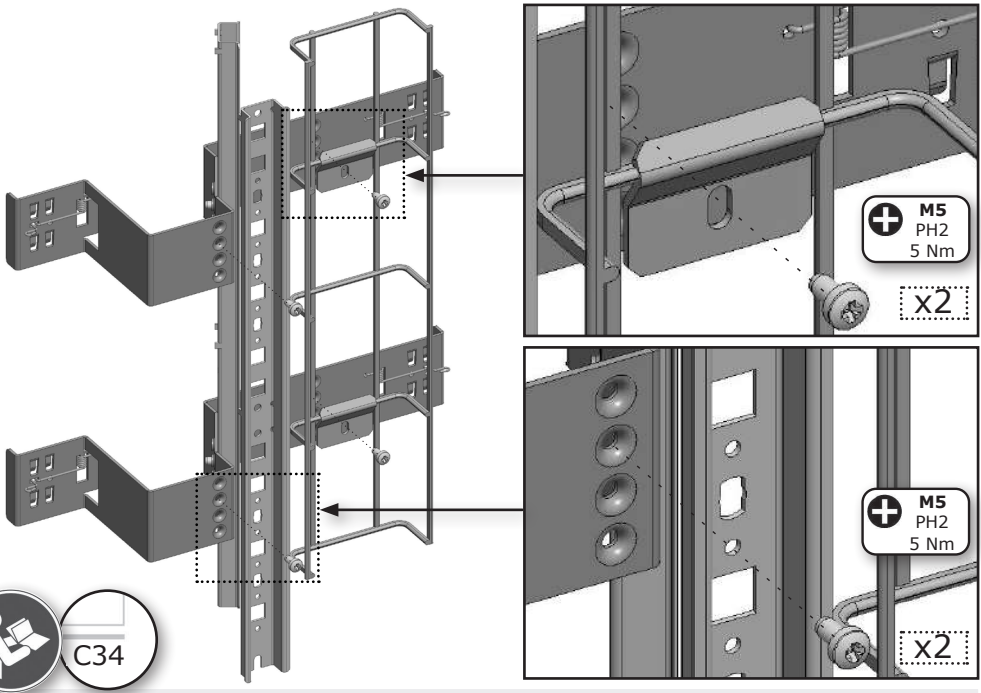
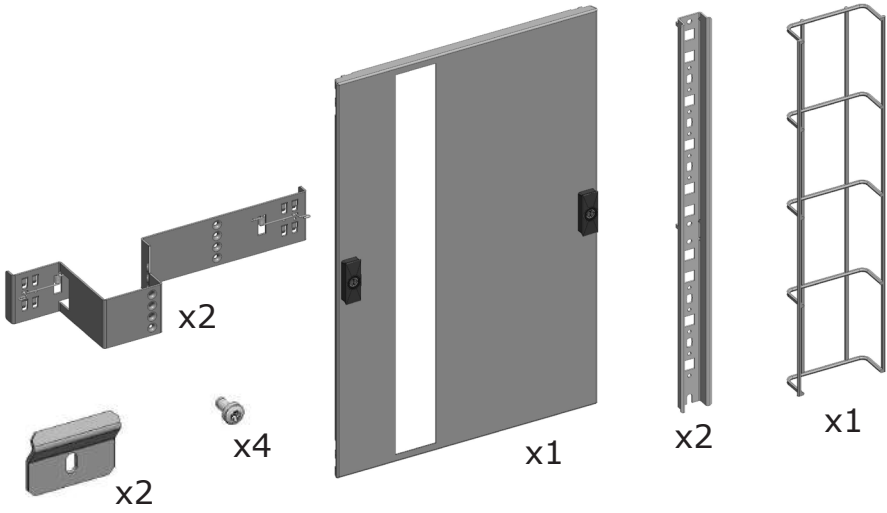
x1



x2

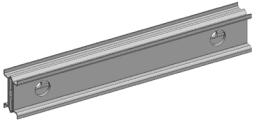


QXEV...

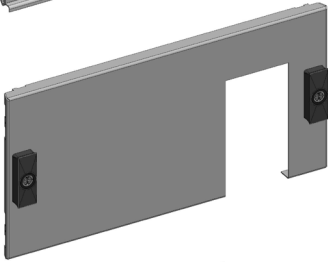


QXW0.1000

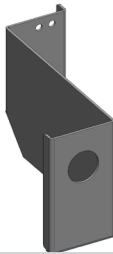
1x



1x



1x



x2



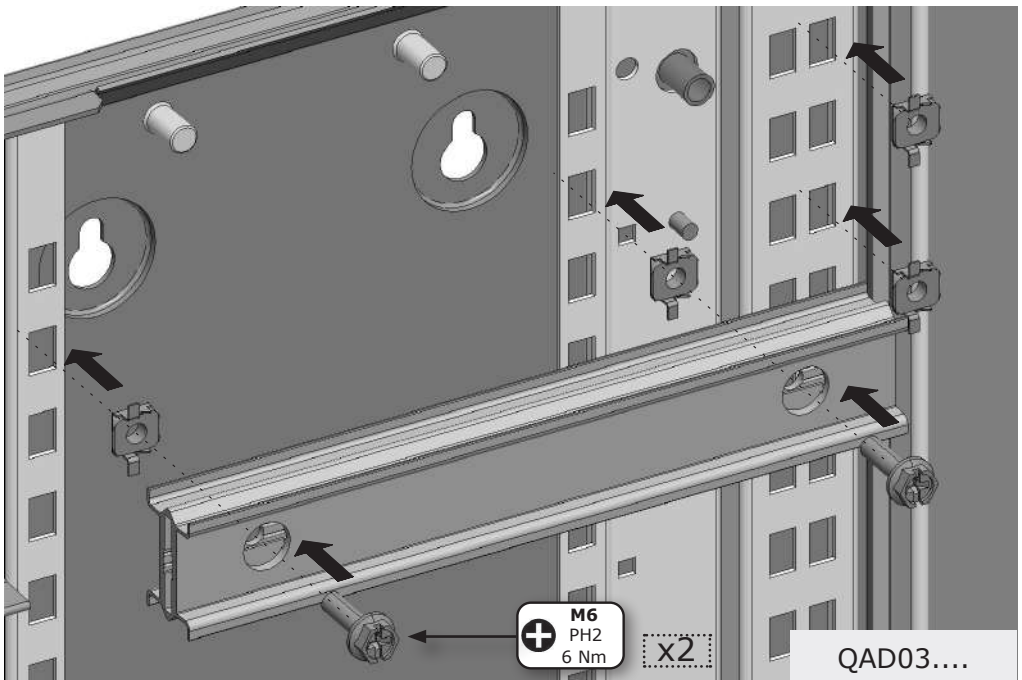
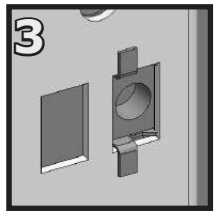
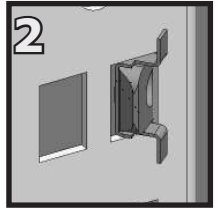
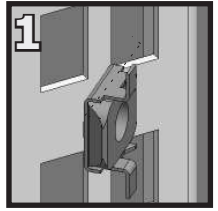
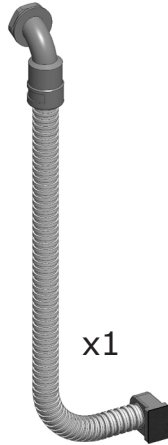
x2



x4



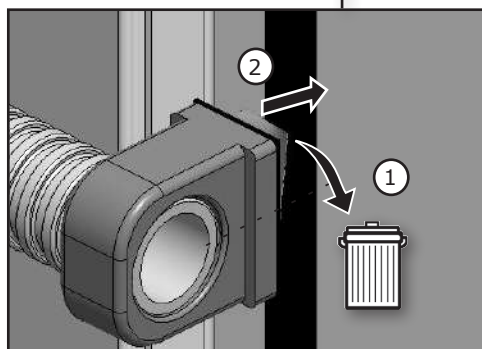
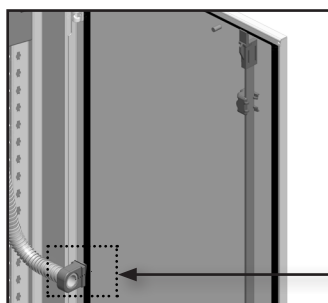
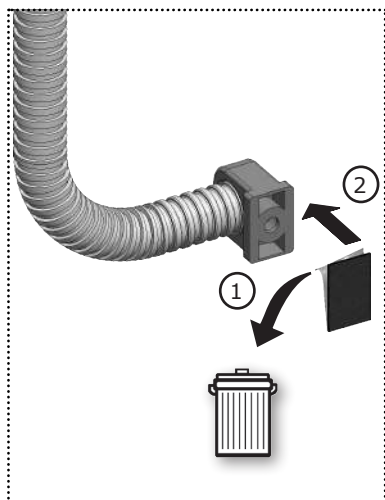
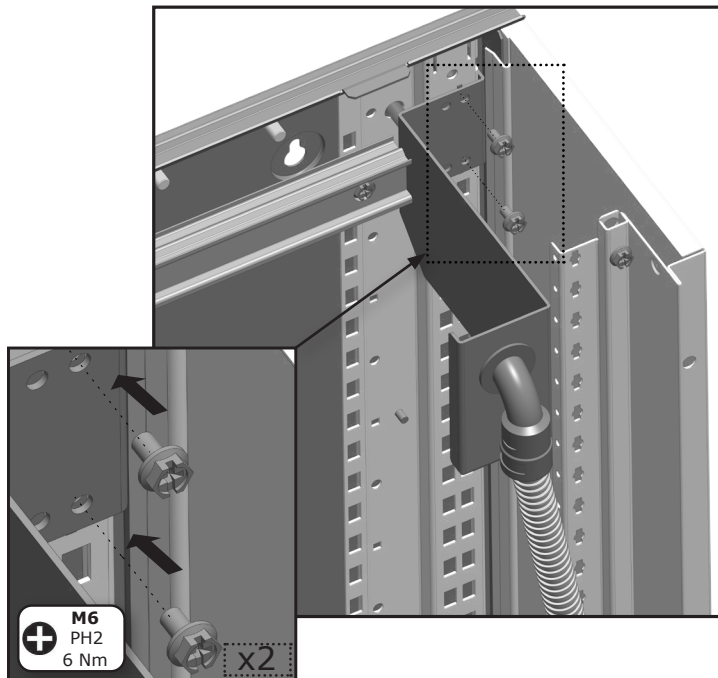
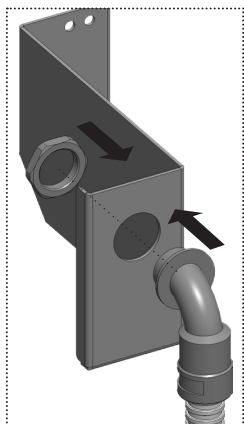
x1



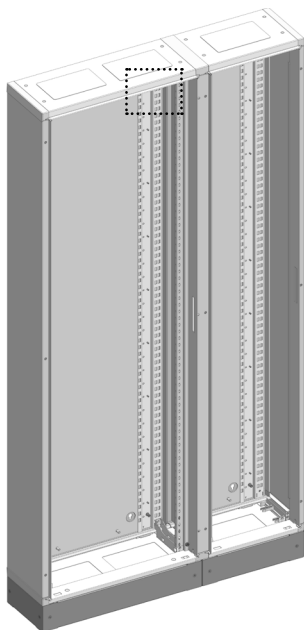
M6
PH2
6 Nm

x2

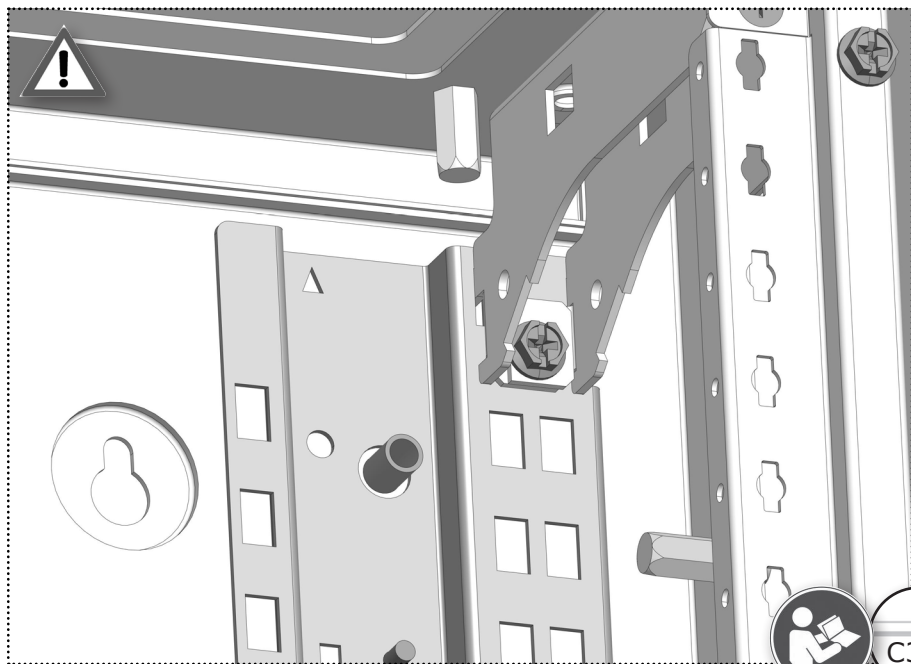
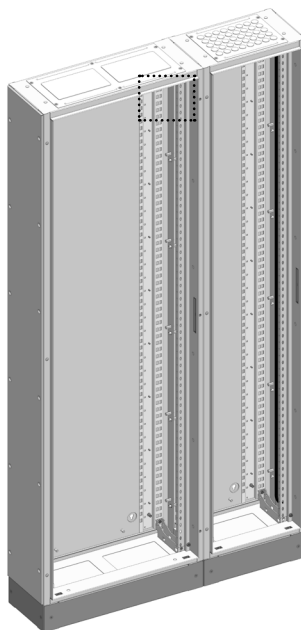
QAD03...

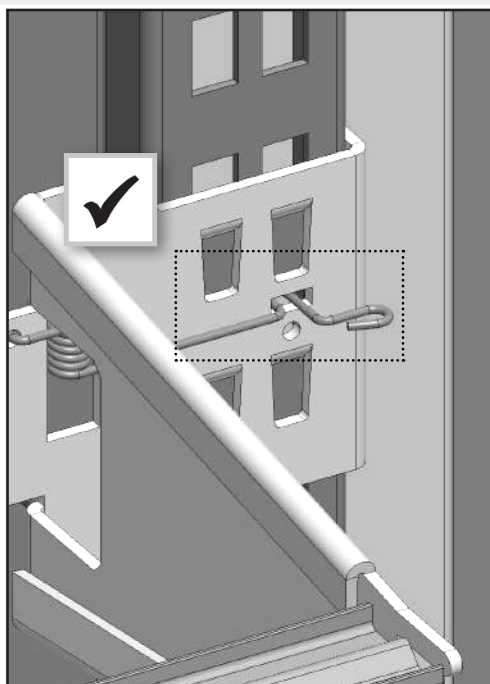
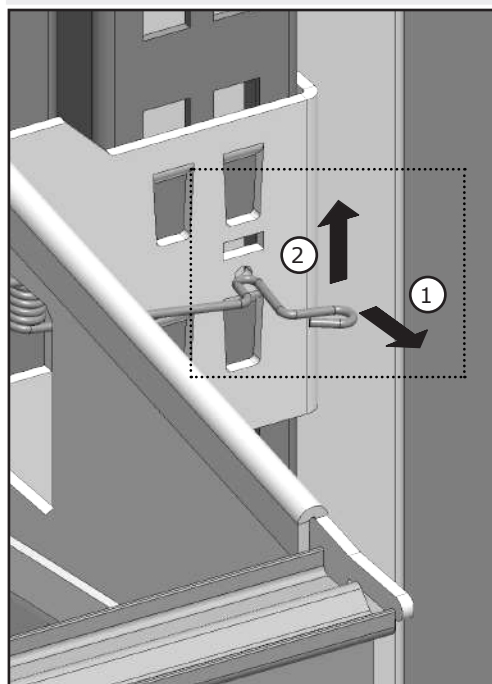
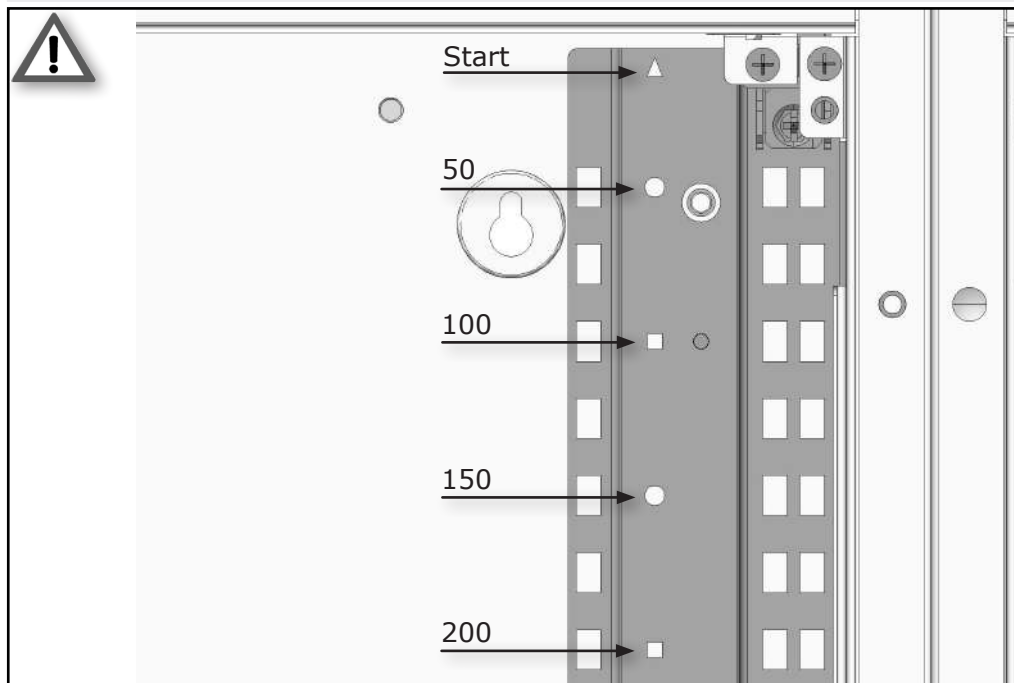


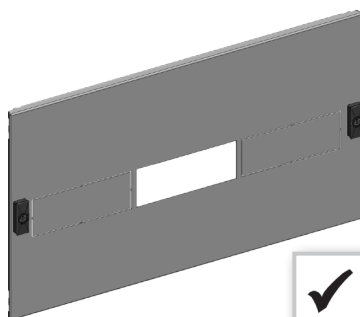
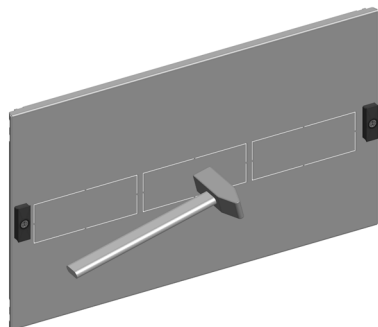
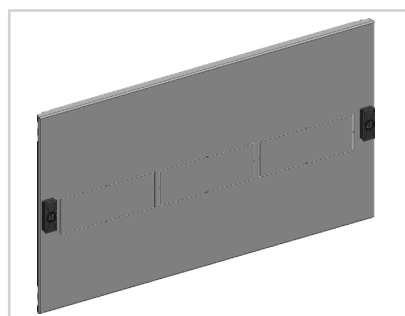
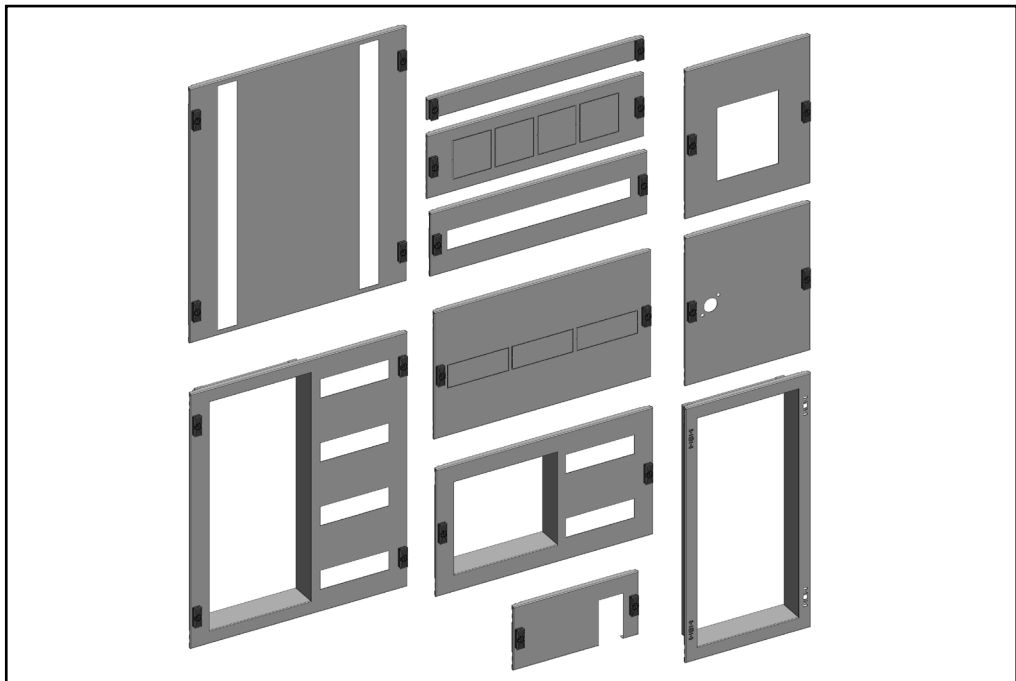
IP43

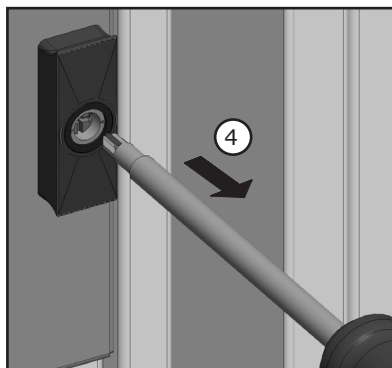
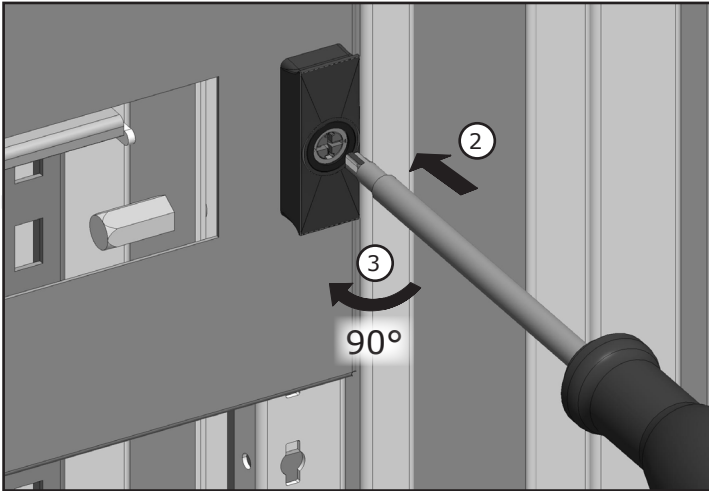
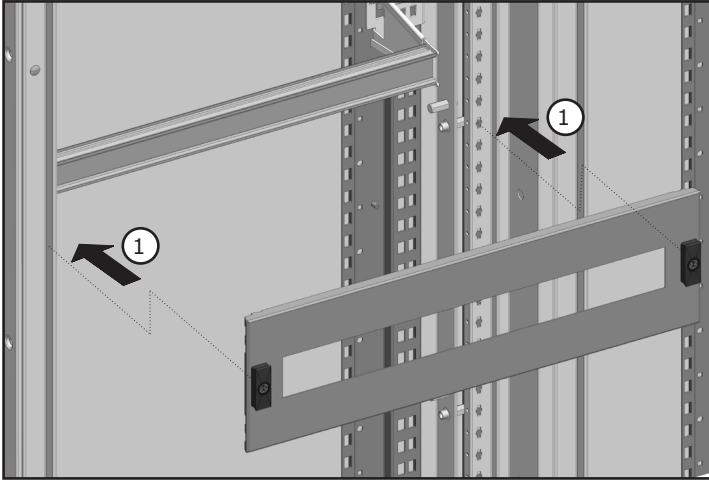


IP55



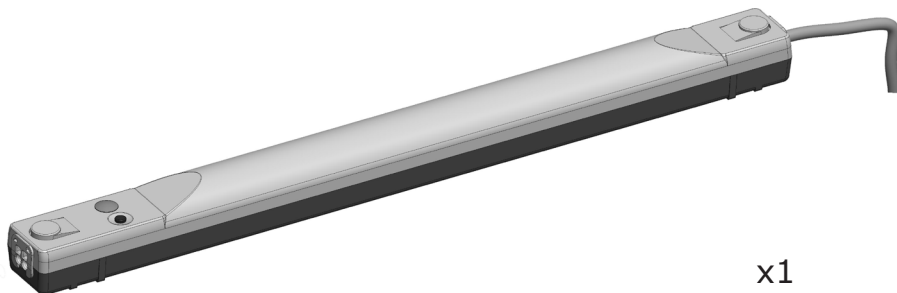




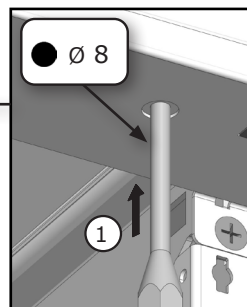
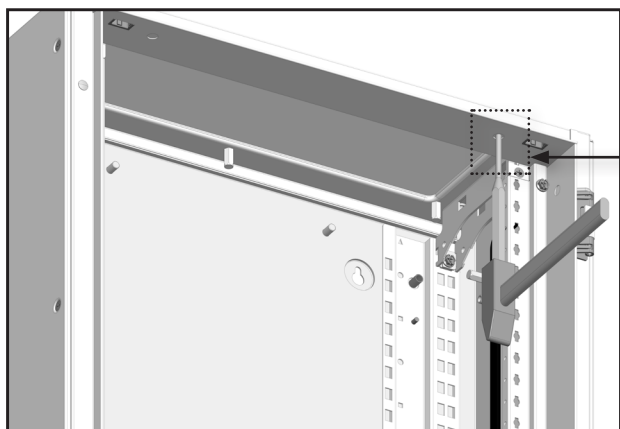
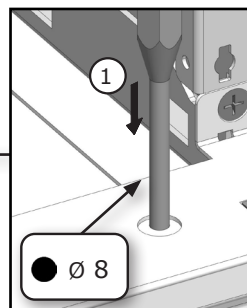
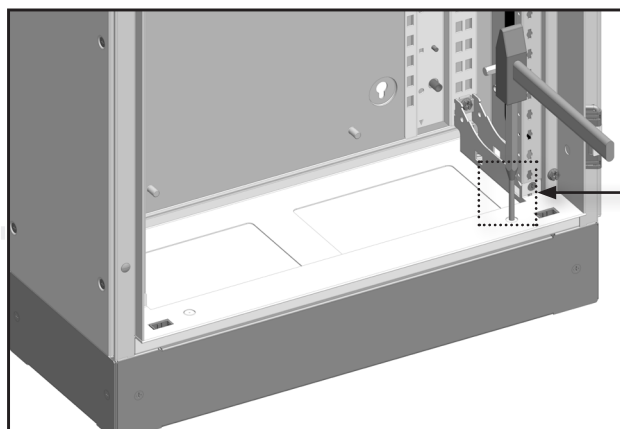


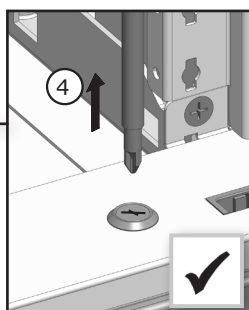
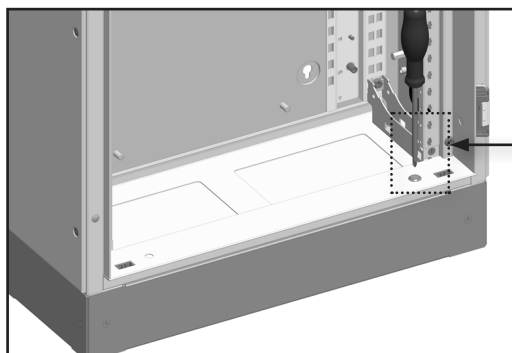
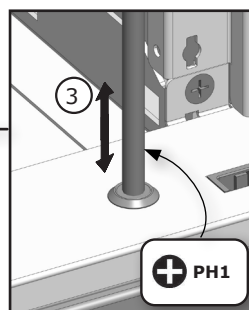
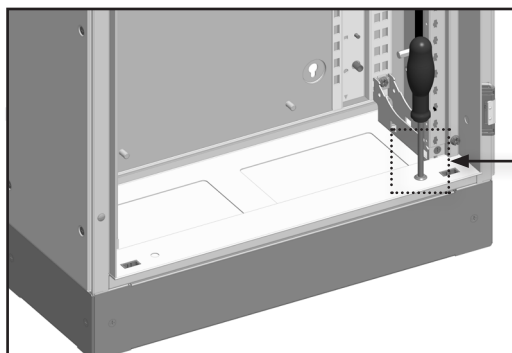
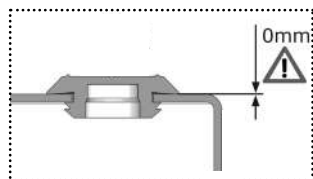
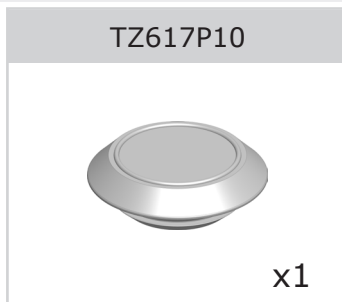
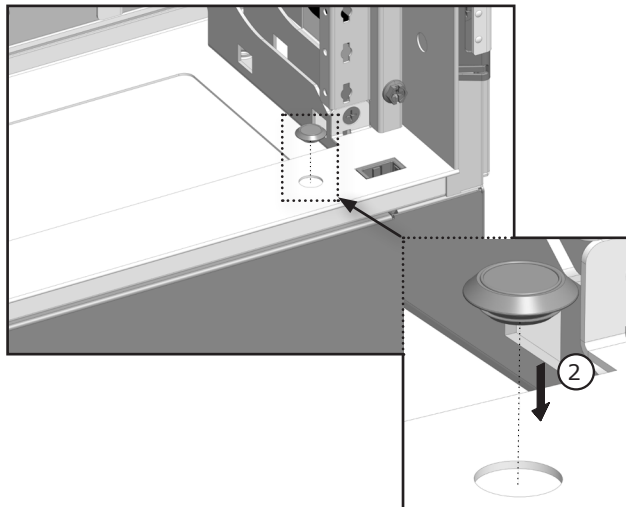
QCC04....
QCC06....
QCC08....
QCS1.....
QCS2.....
QCM.....
QCP.....
QT0.....

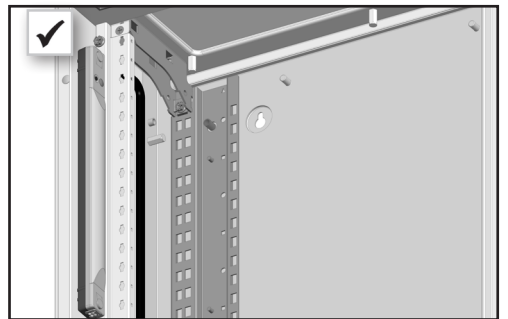
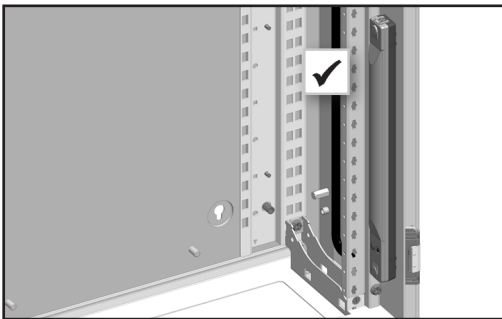
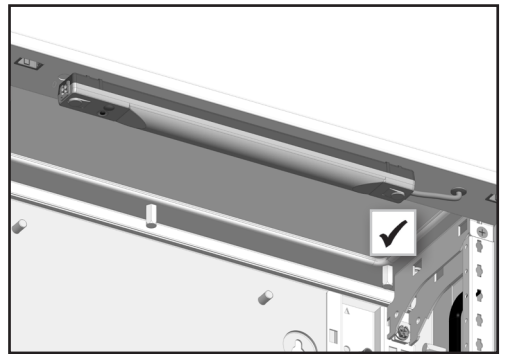
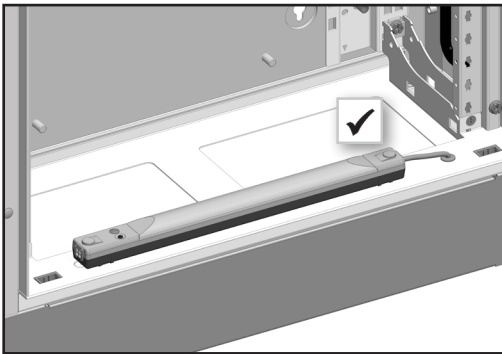
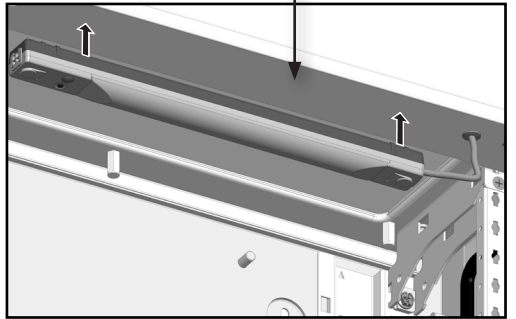
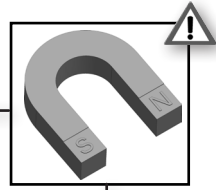
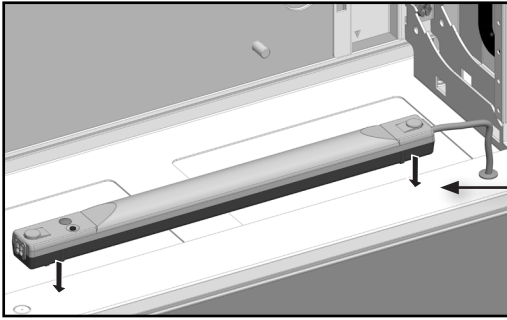
TZ650



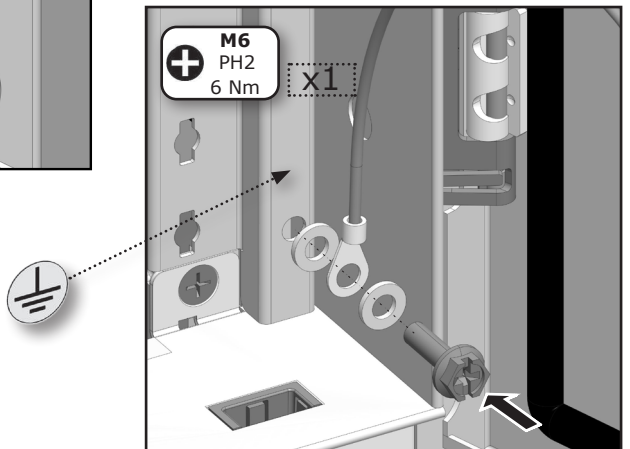
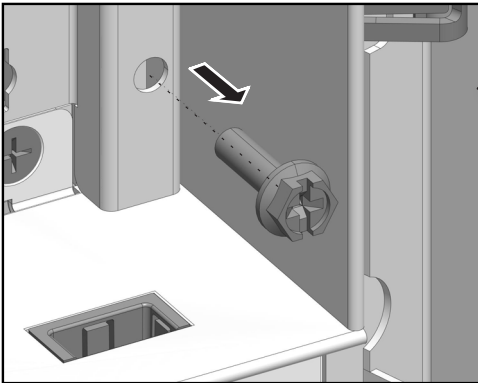
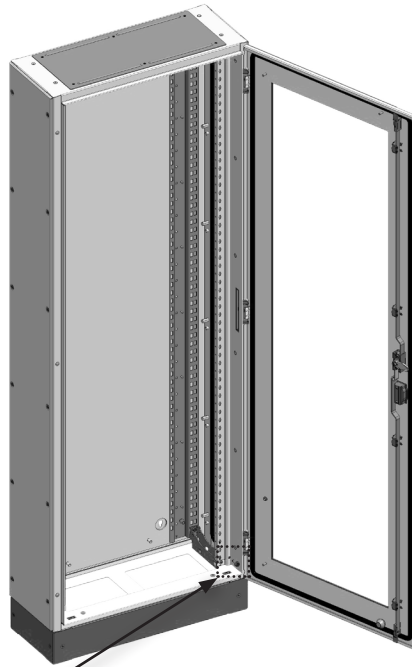
x1

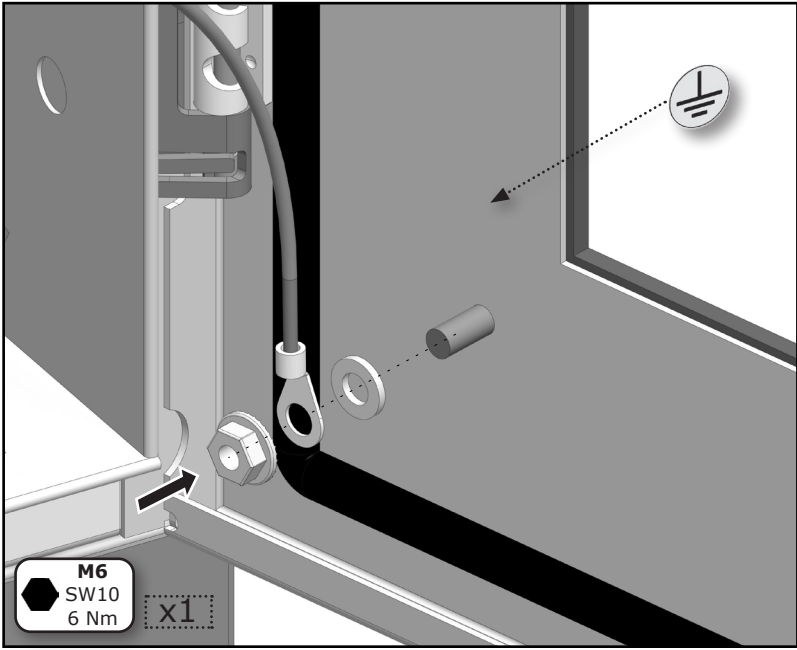




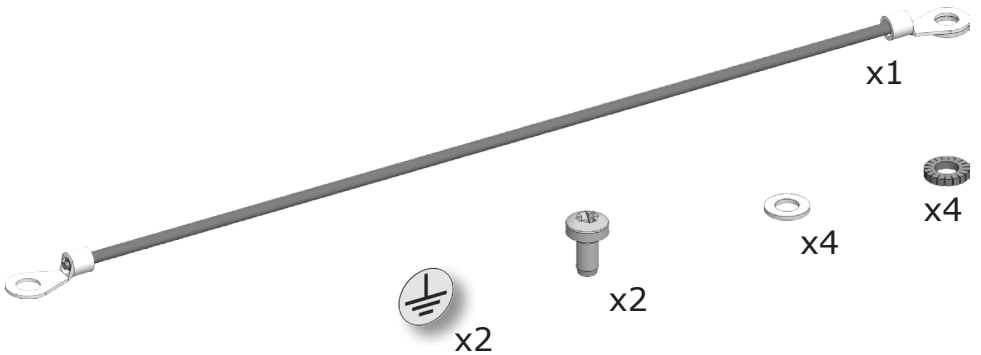


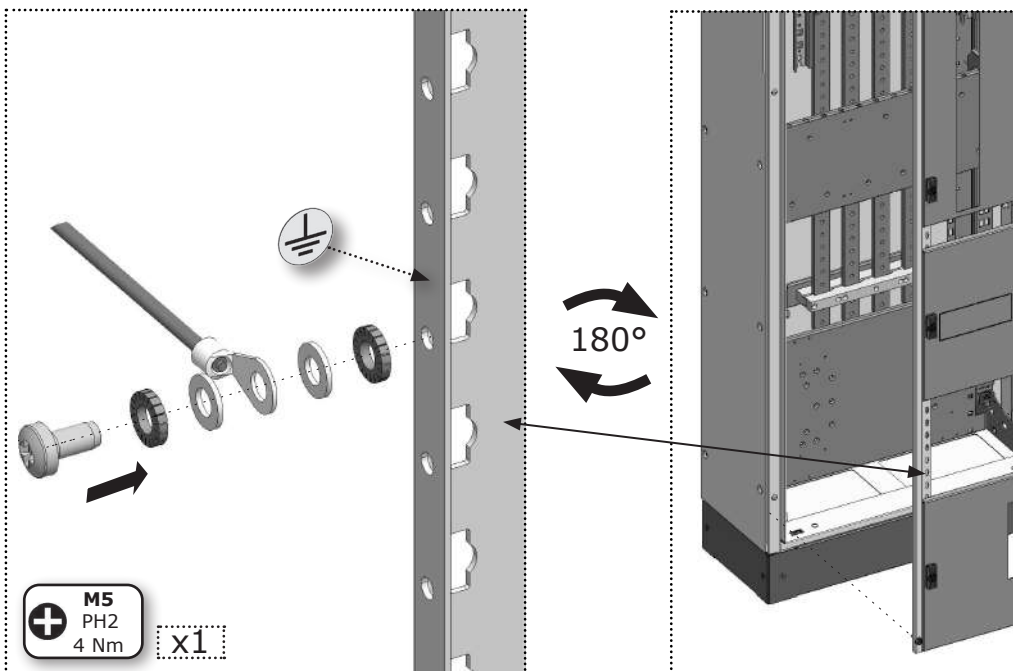
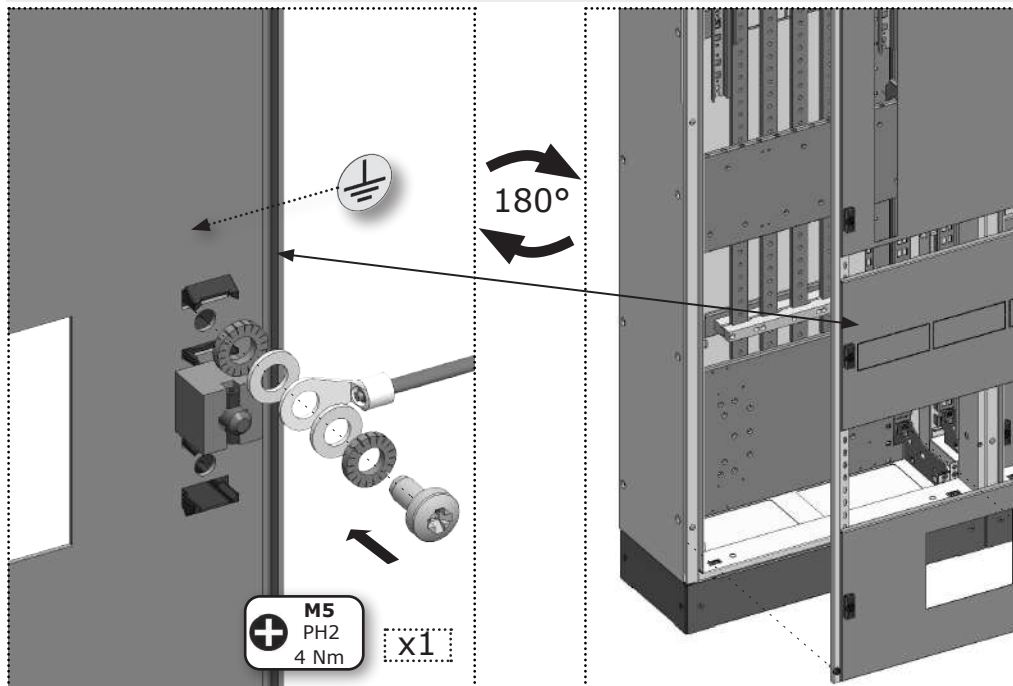
QAW007000



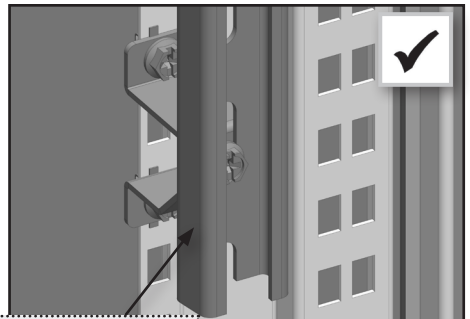
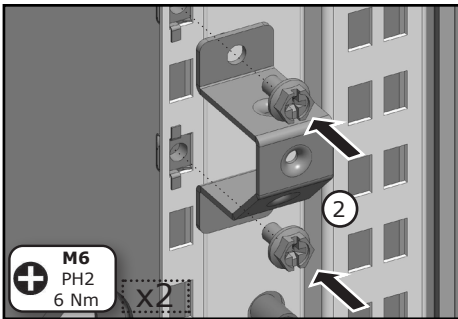
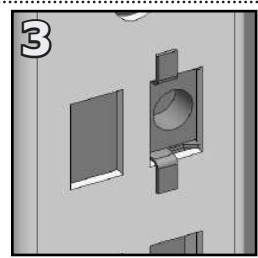
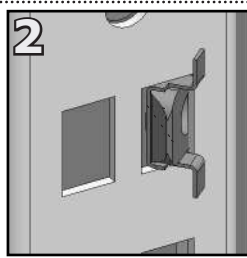
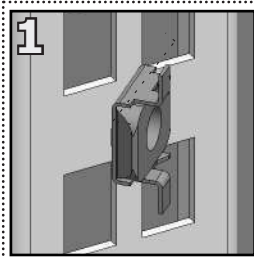
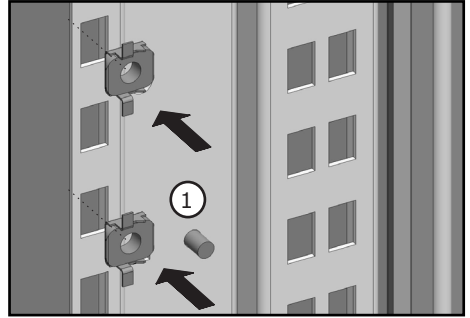
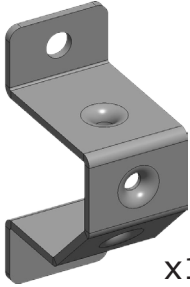


QAW007001

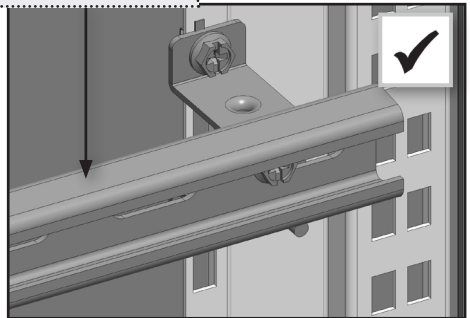
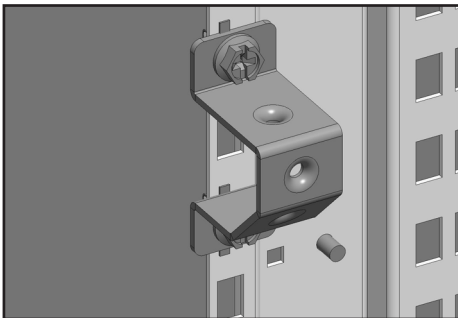




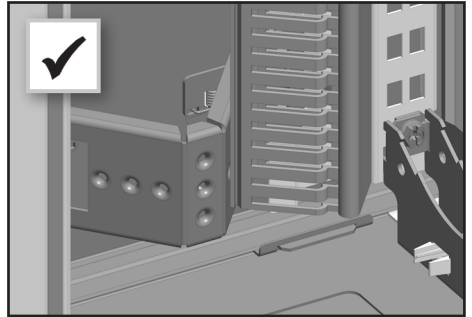
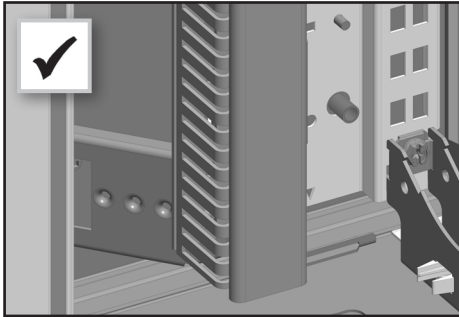
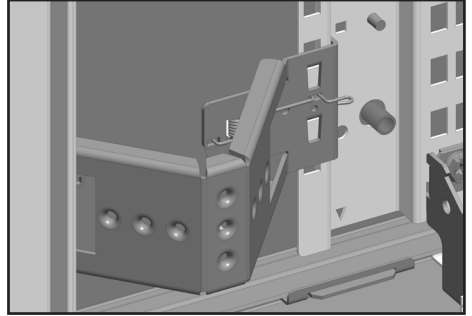
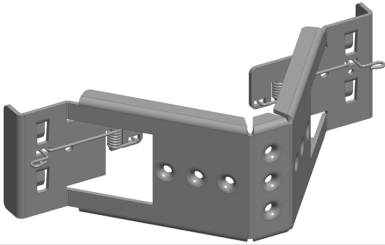
QAW0010P.



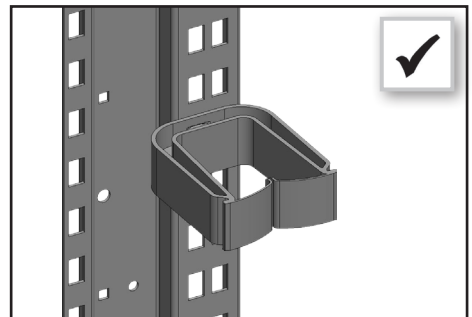
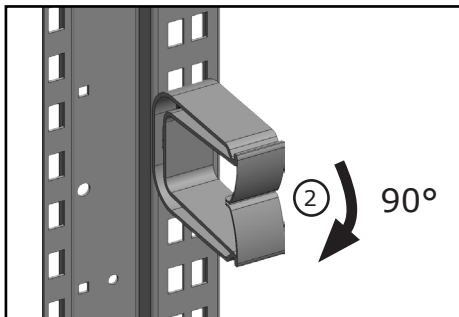
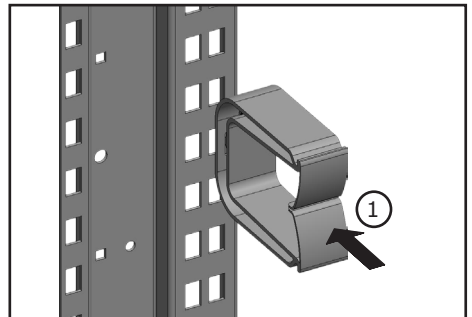
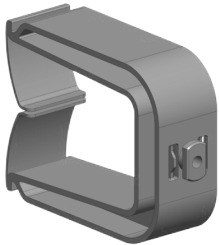
QR.VBWS00

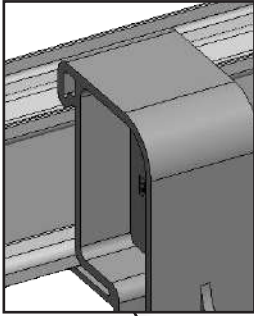


QAW0020P.

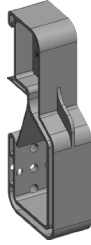


QAW0050P.

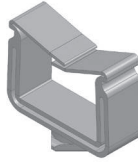




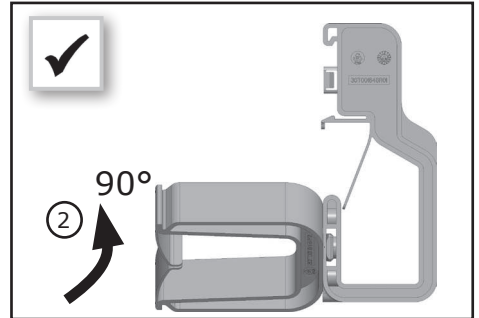
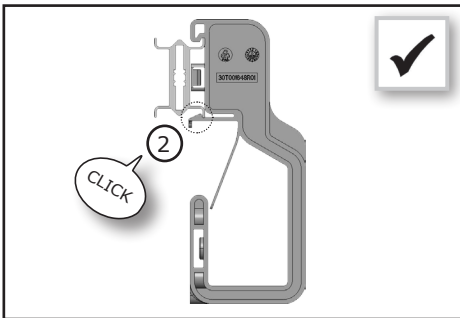
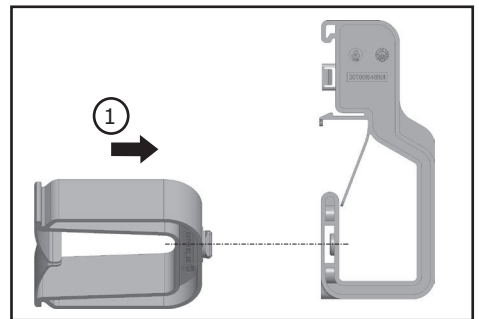
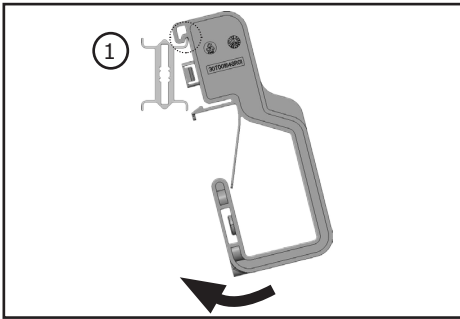
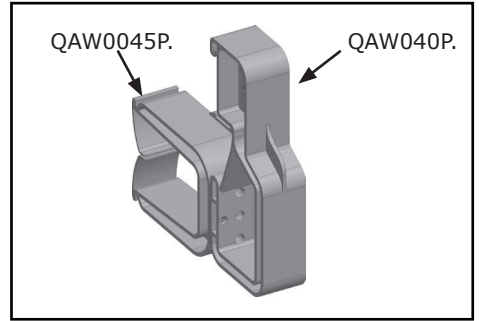
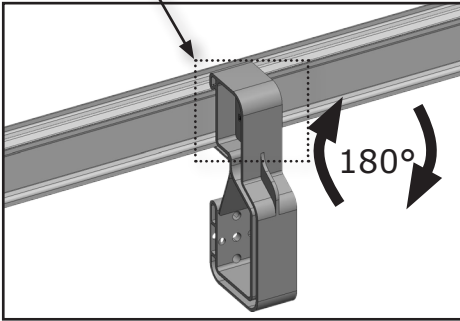
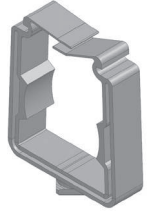
QAW0040P.



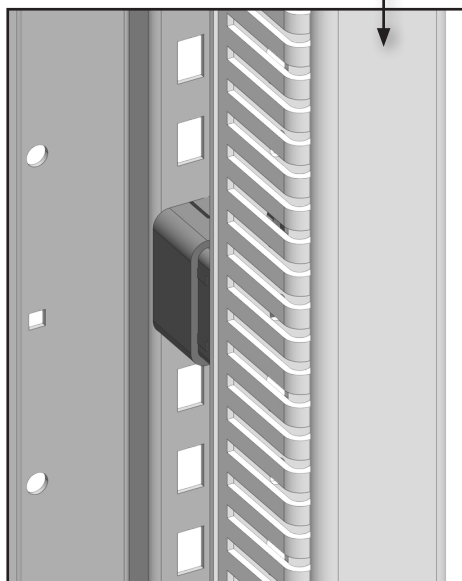
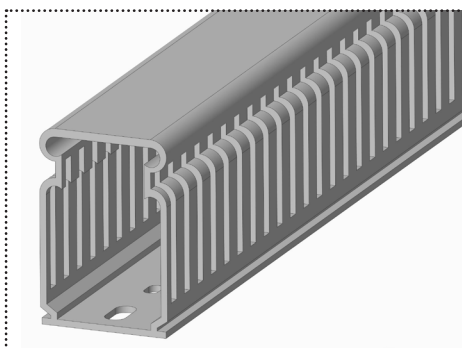
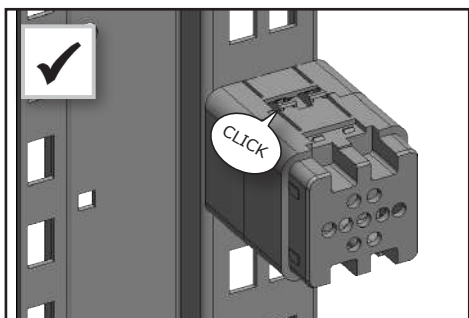
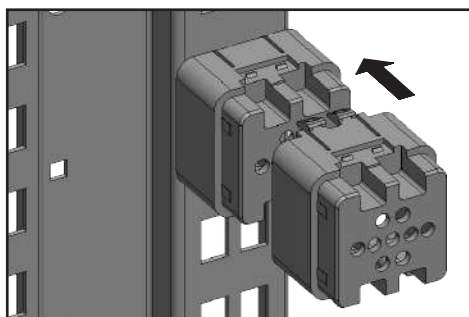
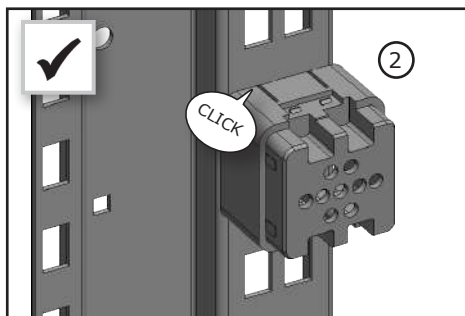
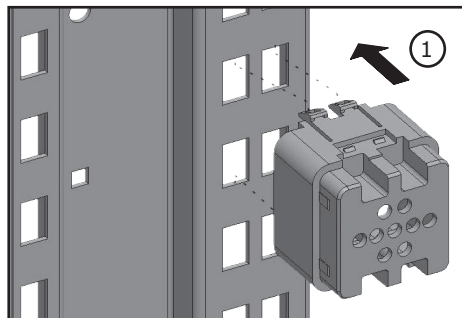
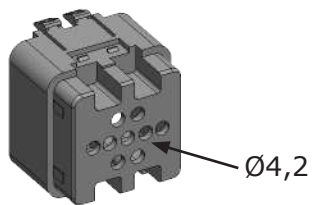
QAW0044P.



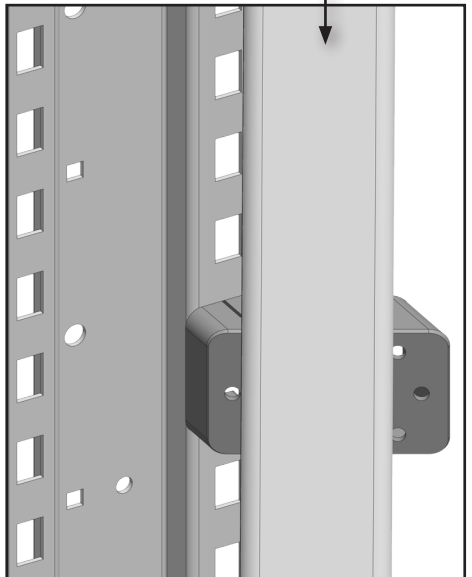
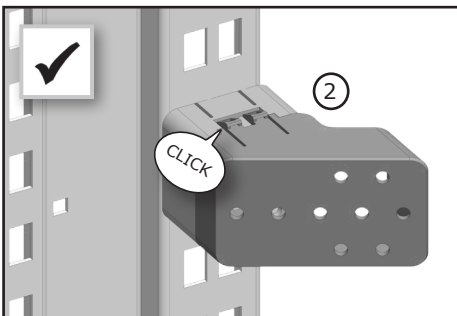
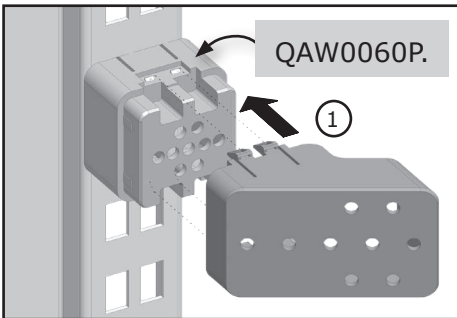
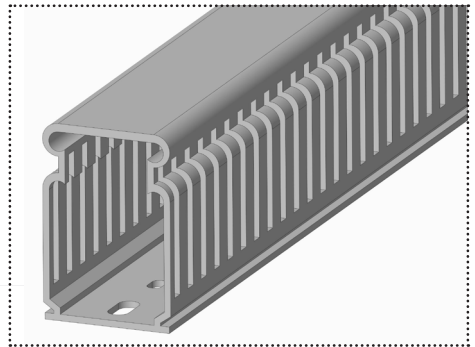
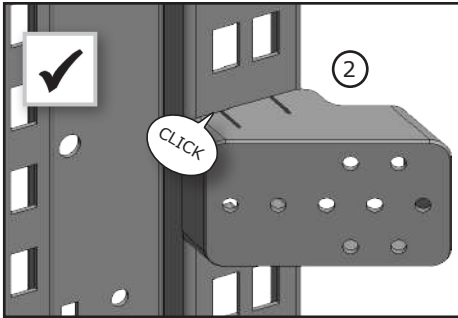
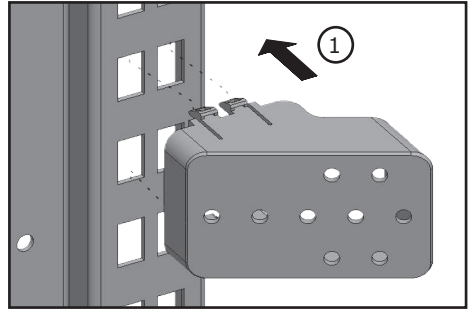
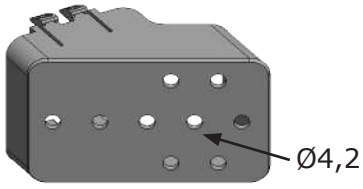
QAW0045P.



QAW0060P.



QAW0080P.



NOTES

B					
BA0400	C6, C8				
BA0800	C6, C8				
E					
ESAC1001	32, 33, 34, 35				
ESAC1002	35				
ESAC1006	35				
ESAC1007	35				
ESAC1008	35				
ESAC1009	35				
ESAC1010	35				
ESAC1011	35				
ESAC1012	35				
ESAC1013	35				
ESAC3003P4	21				
Q					
Q800R00P2	46, 48				
Q800R6400	46				
Q800R6460	46				
Q800R6600	46				
Q800R6660	46				
Q800R8480	46				
Q800R8600	46				
Q800R8800	46				
Q830I206	11				
Q830I208	11				
Q843B406	2, 6				
Q843B408	2, 6				
Q843B410	2, 6				
Q843B412	2, 6				
Q843B414	2, 6				
Q843B416	2, 6				
Q843B418	2, 6				
Q843B420	2, 6				
Q843B606	2, 6				
Q843B608	2, 6				
Q843B610	2, 6				
Q843B612	2, 6				
Q843B614	2, 6				
Q843B616	2, 6				
Q843B618	2, 6				
Q843B620	2, 6				
Q843B806	2, 6				
Q843B808	2, 6				
Q843B810	2, 6				
Q843B812	2, 6				
Q843B814	2, 6				
Q843B816	2, 6				
Q843B818	2, 6				
Q843B820	2, 6				
Q843E406	40, 49				
Q843E408	40, 49				
Q843E410	40, 49				
Q843E412	40, 49				
Q843E414	40, 49				
Q843E416	40, 49				
Q843E418	40, 49				
Q843E420	40, 49				
Q843E606	40, 49				
Q843E608	40, 49				
Q843E610	40, 49				
Q843E612	40, 49				
Q843E614	40, 49				
Q843E616	40, 49				
Q843E618	40, 49				
Q843E620	40, 49				
Q843E806	40, 49				
Q843E808	40, 49				
Q843E810	40, 49				
Q843E812	40, 49				
Q843E814	40, 49				
Q843E816	40, 49				
Q843E818	40, 49				
Q843E820	40, 49				
Q843T411	4				
Q843T421	4				
Q843T611	4				
Q843T621	4				
Q843T811	4				
Q843T821	4				
Q855D406	25, 27				
Q855D408	25, 27				
Q855D410	25, 27				
Q855D412	25, 27				
Q855D414	25, 27				
Q855D416	25, 27				
Q855D418	25, 27				
Q855D420	25, 27				
Q855D606	25, 27				
Q855D608	25, 27				
Q855D610	25, 27				
Q855D612	25, 27				
Q855D614	25, 27				
Q855D616	25, 27				
Q855D618	25, 27				
Q855D620	25, 27				
Q855D806	25, 27				
Q855D808	25, 27				
Q855D810	25, 27				
Q855D812	25, 27				
Q855D814	25, 27				
Q855D816	25, 27				
Q855D818	25, 27				
Q855D820	25, 27				
Q855F421	16				
Q855F422	16				
Q855F423	16				
Q855F424	16				
Q855F621	16				
Q855F622	16				
Q855F623	16				
Q855F624	16				
Q855F821	16				
Q855F822	16				
Q855F823	16				
Q855F824	16				
Q855G406	25, 27				
Q855G408	25, 27				
Q855G410	25, 27				
Q855G412	25, 27				
Q855G414	25, 27				
Q855G416	25, 27				
Q855G418	25, 27				
Q855G420	25, 27				
Q855G606	25, 27				
Q855G608	25, 27				
Q855G610	25, 27				
Q855G612	25, 27				
Q855G614	25, 27				
Q855G616	25, 27				
Q855G618	25, 27				
Q855G620	25, 27				
Q855G806	25, 27				
Q855G808	25, 27				
Q855G810	25, 27				
Q855G812	25, 27				
Q855G814	25, 27				
Q855G816	25, 27				
Q855G818	25, 27				
Q855G820	25, 27				
Q855P401	18, 52				
Q855P601	18, 52				
Q855P801	18, 52				
QAD001000	C20				
QAD0010P1	C20				
QAD002000	C20				
QAD0020P1	C20				
QAD003000	C20				
QAD0030P1	C20				
QAD011000	C20				
QAD0110P1	C20				
QAD012000	C20				
QAD0120P1	C20				
QAD013000	C20				
QAD0130P1	C20				
QAD031000	C30				
QAD0310P1	C30				
QAD032000	C30				
QAD0320P1	C30				
QAD033000	C30				
QAD0330P1	C30				
QAMB000P2	C27				
QAW0010P2	C43				
QAW0010P5	C43				
QAW0020P2	C44				
QAW0020P5	C44				
QAW0040P2/P5	C45				
QAW0044/45P.	C45				
QAW0050P2	C44				
QAW0050P5	C44				
QAW0060P2	C46, C47				
QAW0060P5	C46, C47				
QAW007000	C39				
QAW007001	C40				
QAW0080P2	C47				
QAW0080P5	C47				
QB1H62000	C21				
QB1H620RC	C21				
QB1H82000	C21				
QB1H820RC	C21				
QB1V43000	C21				

QB1V430RC	C21	QB5V845TM	C21	QCS1415P1	C35
QB1V63000	C21	QB5V845TR	C21	QCS142001	C35
QB1V63003	C21	QB6H64000	C21	QCS143001	C35
QB1V630RC	C21	QB6H640RC	C21	QCS161501	C35
QB1V83000	C21	QB6H640TM	C21	QCS1615P1	C35
QB1V83004	C21	QB6H84000	C21	QCS162001	C35
QB1V830RC	C21	QB6H840RC	C21	QCS163001	C35
QB2H62000	C21	QB6H840TM	C21	QCS181501	C35
QB2H620RC	C21	QB6V64500	C21	QCS1815P1	C35
QB2H82000	C21	QB6V645TM	C21	QCS182001	C35
QB2H820RC	C21	QB6V84500	C21	QCS183001	C35
QB2V43000	C21	QB6V845TM	C21	QCS243001	C35
QB2V435RC	C21	QCC040501	C35	QCS2430P1	C35
QB2V63000	C21	QCC041001	C35	QCS263001	C35
QB2V63003	C21	QCC041501	C35	QCS2630P1	C35
QB2V635RC	C21	QCC0415P1	C35	QCS283001	C35
QB2V83000	C21	QCC042001	C35	QCS2830P1	C35
QB2V83004	C21	QCC0420P1	C35	QDS141500	C20
QB2V835RC	C21	QCC042501	C35	QDS142000	C20
QB3H62000	C21	QCC043001	C35	QDS143000	C20
QB3H620RC	C21	QCC044001	C35	QDS161500	C20
QB3H82000	C21	QCC045001	C35	QDS162000	C20
QB3H820RC	C21	QCC046001	C35	QDS163000	C20
QB3V43000	C21	QCC048001	C35	QDS16300A	C18
QB3V435RC	C21	QCC049001	C35	QDS181500	C20
QB3V63000	C21	QCC060501	C35	QDS182000	C20
QB3V63003	C21	QCC061001	C35	QDS183000	C20
QB3V635RC	C21	QCC061501	C35	QDS18300A	C18
QB3V83000	C21	QCC0615P1	C35	QDS1B6300	C18
QB3V83004	C21	QCC062001	C35	QDS1B8300	C18
QB3V835RC	C21	QCC0620P1	C35	QDS243000	C20
QB4H62000	C21	QCC062501	C35	QDS263000	C20
QB4H620RC	C21	QCC063001	C35	QDS283000	C20
QB4H82000	C21	QCC064001	C35	QJ2H620RC	C23
QB4H820RC	C21	QCC065001	C35	QJ2V435RC	C23
QB4V43000	C21	QCC066001	C35	QJ2V635RC	C23
QB4V435RC	C21	QCC068001	C35	QJ4H620RC	C23
QB4V63000	C21	QCC069001	C35	QJ4V435HL	C23
QB4V63003	C21	QCC080501	C35	QJ4V435RC	C23
QB4V635RC	C21	QCC081001	C35	QJ4V635HL	C23
QB4V83000	C21	QCC081501	C35	QJ4V635RC	C23
QB4V83004	C21	QCC0815P1	C35	QJ5H630RC	C23
QB4V835RC	C21	QCC082001	C35	QJ5V445RC	C23
QB5H63000	C21	QCC0820P1	C35	QJ5V645RC	C23
QB5H630RC	C21	QCC082501	C35	QJCU16000	C26
QB5H630TM	C21	QCC083001	C35	QJCU25000	C26
QB5H630TR	C21	QCC084001	C35	QJCU40000	C26
QB5H83000	C21	QCC085001	C35	QL4V66000	C21
QB5H830RC	C21	QCC086001	C35	QL4V86000	C21
QB5H830TM	C21	QCC088001	C35	QL8V86000	C21
QB5H830TR	C21	QCC089001	C35	QM0403000	C21
QB5V44500	C21	QCM741500	C35	QM0601500	C21
QB5V445RC	C21	QCM761500	C35	QM0602000	C21
QB5V445TM	C21	QCM781500	C35	QM0602500	C21
QB5V445TR	C21	QCM941500	C35	QM0603000	C21
QB5V64500	C21	QCM961500	C35	QM0604000	C21
QB5V645RC	C21	QCM981500	C35	QM0605000	C21
QB5V645TM	C21	QCP041500	C35	QM0606000	C21
QB5V645TR	C21	QCP061500	C35	QM0608000	C21
QB5V84500	C21	QCP081500	C35	QM0609000	C21
QB5V845RC	C21	QCS141501	C35	QM0610000	C21



Beyond Connected campaign QR code

ABB S.p.A.

Automation and Distribution Boards

Via Italia, 58

23846 Garbagnate Monastero (LC) - Italy
