

Frame and lid floor boxes for concrete floor

Cat. No(s): 0 807 09 to 17 - 0 807 27 to 35/52/55 - 0 880 15 to 17 - 0 880 45 to 47 - 0 880 80/81/82/83/85/86/88/90/91/92/98/99 - 0881 90/91/92 - 981350/351/358 - 981366 to 378

			Contents	Page
0 807 09/10/11	0 807 12/13/14	0 807 15/16/17	1. Use.....	1
			2. Range.....	1 to 2
			3. Dimensions.....	3 to 8
			4. Installation.....	9 to 15
			5. Accessories.....	15
			6. Spare parts.....	16
			7. General characteristics.....	17
			8. Care.....	17
			9. Standards & Approvals.....	17

1. USE

Frame and lid floor boxes supplied in kit to install in a concrete floor of any kind of tertiary buildings (offices, public building, hospitals, schools/universities, shops, showrooms, hotels...)

To be equipped with power, data, USB sockets.

Possibility to choose between different finishes (plastic & metal).

We advise to use 2p+E sockets, 45° inclined version with upward earth pin.

These floor boxes can be installed in three types of backboxes:

- auto-adjusting
- universal adjustable
- foldable.

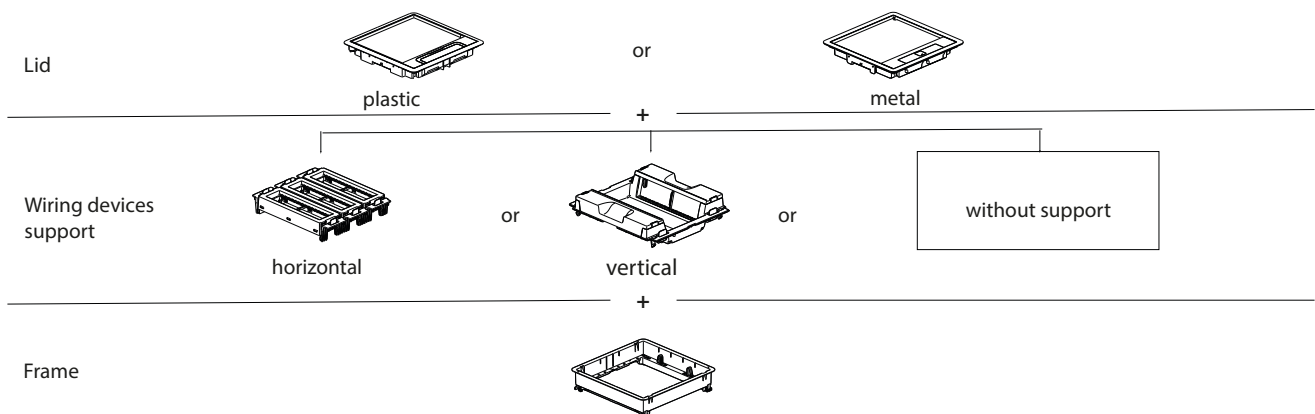
The backboxes allow concrete to be poured over the flexible conduits before installing the floor boxes.

We advise you to use gloves when handling the products.



2. RANGE

2.1 Composition of a floor box cat. no

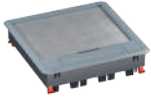

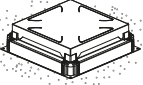
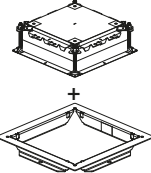
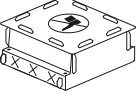




Frame and lid floor boxes for concrete floor

Cat. No(s): 0 807 09 to 17 - 0 807 27 to 35/52/55 - 0 880 15 to 17 - 0 880 45 to 47 - 0 880 80/81/82/83/85/86/88/90/91/92/98/99 - 0 881 90/91/92 - 981350/351/358 - 981366 to 378

2. RANGE (cont.)

2.2 Selection chart

Floor boxes	Type of lid	Floor boxes with wiring devices supports for sockets						Access cover without wiring devices support		
		in horizontal position			in vertical position			Dimensions (mm)		
		Modules capacity								
		12 (3x4)	18 (3x6)	24 (3x8)	8 (2x4)	12 (2x6)	16 (2x8)	203 x 286	241 x 286	286 x 286
	plastic	0 807 09	0 807 10	0 807 11	0 807 12	0 807 13	0 807 14	0 807 15	0 807 16	0 807 17
	metal	0 807 27	0 807 28	0 807 29	0 807 30	0 807 31	0 807 32	0 807 33	0 807 34	0 807 35
Backboxes for plastic or metal floor boxes, to select according to concrete screed depth :		+			+			+		
	Auto-adjusting backbox									
	Concrete screed depth: 65 - 90 mm (1)							0 880 90	0 880 91	0 880 92
	Concrete screed depth: 69 - 90 mm (1)				0 880 90	0 880 91	0 880 92			
	Concrete screed depth: 77 - 90 mm (1) (2)	0 880 90	0 880 91	0 880 92						
	Universal adjustable backbox									
	Concrete screed depth: 64 - 125 mm (3)							0 880 80 +	0 880 80 +	0 880 80 +
	Concrete screed depth: 68 - 125 mm (3)				0 880 80 +	0 880 80 +	0 880 80 +			
	Concrete screed depth: 76 - 125 mm (2) (3)	0 880 80 +	0 880 80 +	0 880 80 +						
	Foldable backbox									
	Concrete screed depth: 72 - 110 mm				0 881 90	0 881 91	0 881 92	0 881 90	0 881 91	0 881 92
	Concrete screed depth: 80 - 110 mm (2)	0 881 90	0 881 91	0 881 92						
Optional finishing plates	for floor boxes with	+			+			+		
	plastic cover	0 880 15	0 880 16	0 880 17	0 880 15	0 880 16	0 880 17	0 880 15	0 880 16	0 880 17
	metal cover	0 880 45	0 880 46	0 880 47	0 880 45	0 880 46	0 880 47	0 880 45	0 880 46	0 880 47

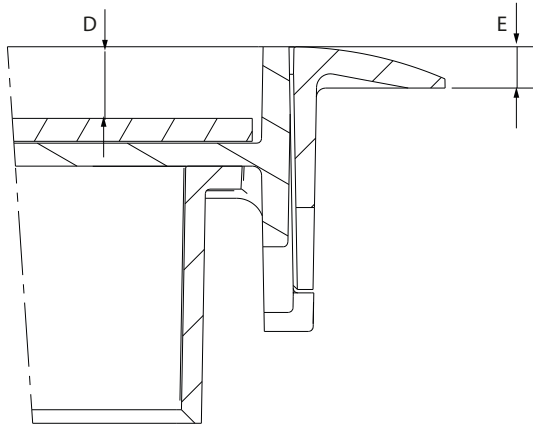
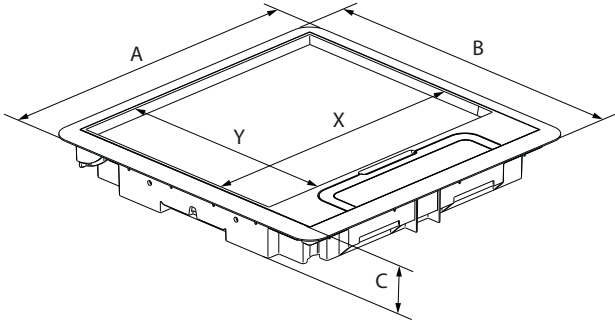
(1) Concrete height from 105 to 200 mm with the cat. no. 0 807 55, please report to pages 6 & 10

(2) Minimum height of screed for use of straight plugs, please report to page 9

(3) Maximum height up to 250 mm with cat. nos 0 880 88 & 0 880 86, please report to pages 7 & 11

3. DIMENSIONS

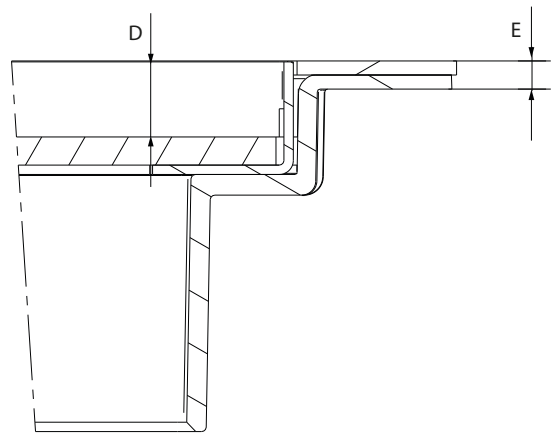
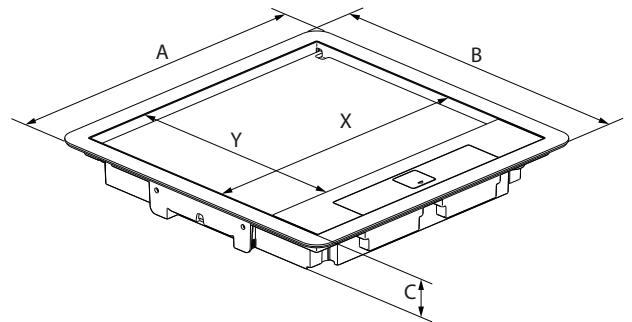
■ 3.1 Plastic lid RAL 7031



for frame and lid floor boxes & access covers cat. nos	Dimensions (mm)						
	A	B	C	X	Y	D	E
0 807 09/12/15	286	203	41	246	118	8	4.5
0 807 10/13/16		241			156		
0 807 11/14/17		286			201		

3. DIMENSIONS (cont.)

■ 3.2 Metal lid stainless steel finish



for frame and lid floor boxes & access covers cat. nos	Dimensions (mm)						
	A	B	C	X	Y	D	E
0 807 27/30/33	286	203	39.7	249.2	117.4	8	3.2
0 807 28/31/34		241			155.4		
0 807 29/32/35		286			200.4		

Frame and lid floor boxes for concrete floor

Cat. No(s): 0 807 09 to 17 - 0 807 27 to 35/52/55 - 0 880 15 to 17 - 0 880 45 to 47 - 0 880 80/81/82/83/85/86/88/90/91/92/98/99 - 0881 90/91/92 - 981350/351/358 - 981366 to 378

3. DIMENSIONS (cont.)

3.3 Stainless steel finishing plates

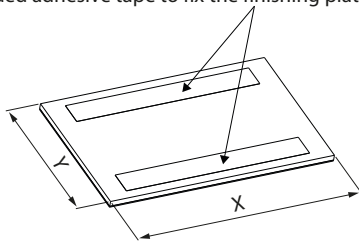
3.3.1 for plastic lids

Cat. nos	Modules capacity	for frame and lid floor boxes & access covers cat. nos
0 880 15	8/12	0 807 09/12/15
0 880 16	12/18	0 807 10/13/16
0 880 17	16/24	0 807 11/14/17

3.3.2 for metal lids

Cat. nos	Modules capacity	for frame and lid floor boxes & access covers cat. nos
0 880 45	8/12	0 807 27/30/33
0 880 46	12/18	0 807 28/31/34
0 880 47	16/24	0 807 29/32/35

Double sided adhesive tape to fix the finishing plate on the frame & lid

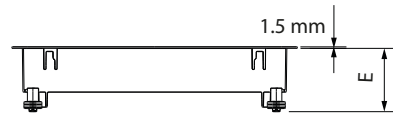
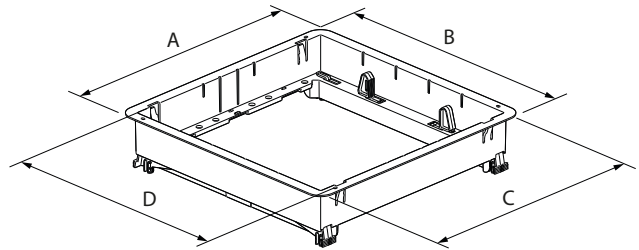


Cat. nos	Dimensions (mm)	
	X	Y
0 880 15	244	116
0 880 16		154
0 880 17		199
0 880 45	248	116
0 880 46		154
0 880 47		199

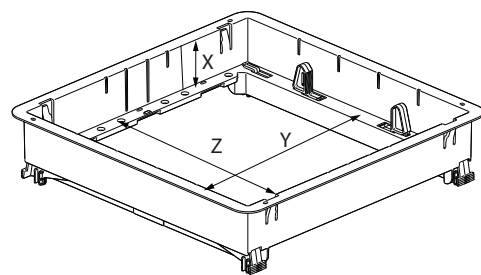
Remove protection adhesive tape from finishing (lid and plate) **ONLY WHEN THE BUILDING IS READY TO RECEIVE ITS OCCUPANTS** (= heated and normal hygrometry rate 45-65 %).

3. DIMENSIONS (cont.)

3.4 Frames for floor boxes & access covers



for floor boxes & access covers cat. nos	Dimensions (mm)				
	A	B	C	D	E
0 807 09/12/15/27/30/33	285	202	264	181	63.2
0 807 10/13/16/28/31/34		240		219	
0 807 11/14/17/29/32/35		285		264	



for floor boxes & access covers cat. nos	Dimensions (mm)		
	X	Y	Z
0 807 09/12/15/27/30/33	40.2	226.6	148
0 807 10/13/16/28/31/34			186
0 807 11/14/17/29/32/35			231

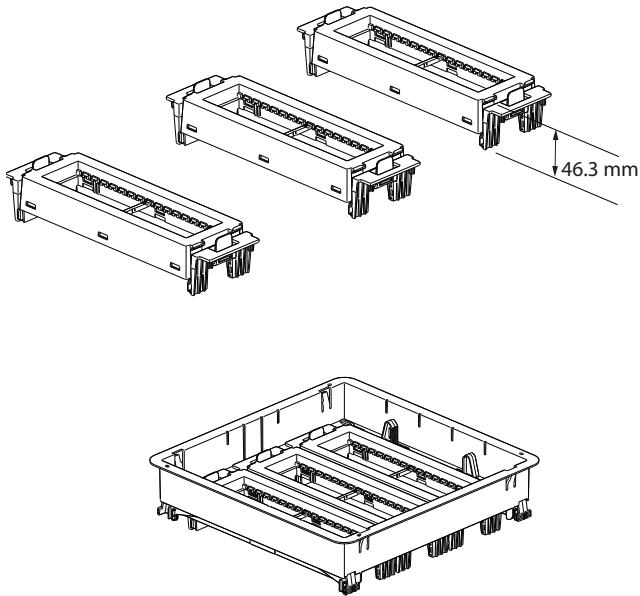
3. DIMENSIONS (cont.)

■ 3.5 Wiring devices supports

3.5.1 for sockets in horizontal position

cat. nos 0 807 09/10/11/27/28/29

3 separate supports



3 height adjustments *

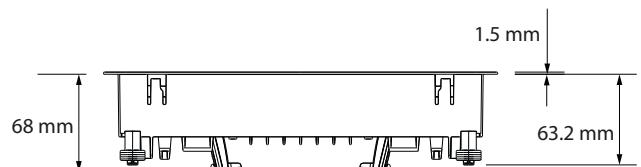
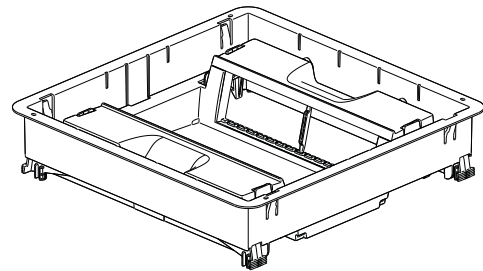
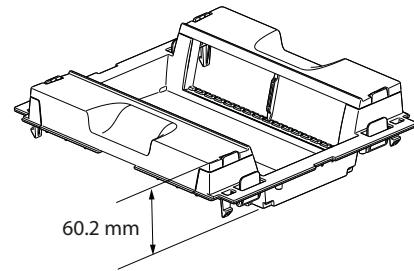


* F1/F2/F3 : refer to page 9, chapter 4.1.2

3. DIMENSIONS (cont.)

3.5.2 for sockets in vertical position

cat. nos 0 807 12/13/14/30/31/32



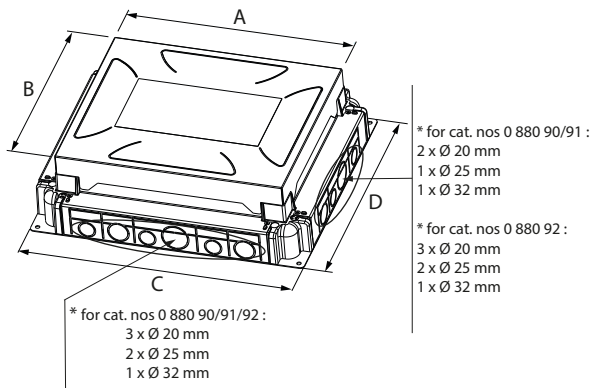
Frame and lid floor boxes for concrete floor

Cat. No(s): 0 807 09 to 17 - 0 807 27 to 35/52/55 - 0 880 15 to 17 - 0 880 45 to 47 - 0 880 80/81/82/83/85/86/88/90/91/92/98/99 - 0881 90/91/92 - 981350/351/358 - 981366 to 378

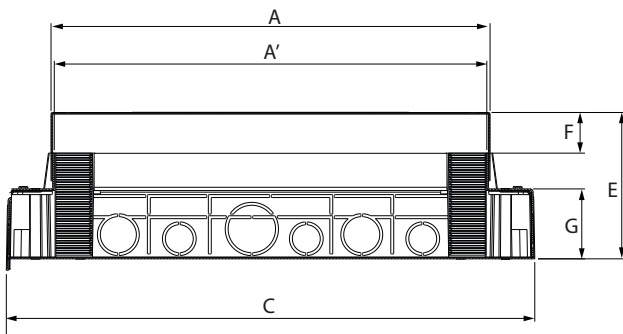
3. DIMENSIONS (cont.)

3.6 Auto-adjusting backbox

Auto-adjusting backboxes cat. nos	Modules capacity	for frame and lid floor boxes cat. nos
0 880 90	8/12	0 807 09/12/15/27/30/33
0 880 91	12/18	0 807 10/13/16/28/31/34
0 880 92	16/24	0 807 11/14/17/29/32/35



Auto-adjusting backboxes cat. nos	Dimensions (mm)			
	A	B	C	D
0 880 90	270	187	325	242
0 880 91		225		280
0 880 92		270		325

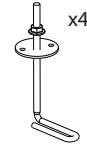


Auto-adjusting backboxes cat. nos	Dimensions (mm)					
	A	A'	C	E	F	G
0 880 90	270	266	325	90	25	43
0 880 91						
0 880 92						

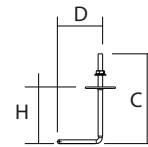
3. DIMENSIONS (cont.)

3.6.1 Fixing kit for elevating and leveling cat. no 0 807 55 for the auto-adjusting backboxes

Kit consisting of 4 pieces.



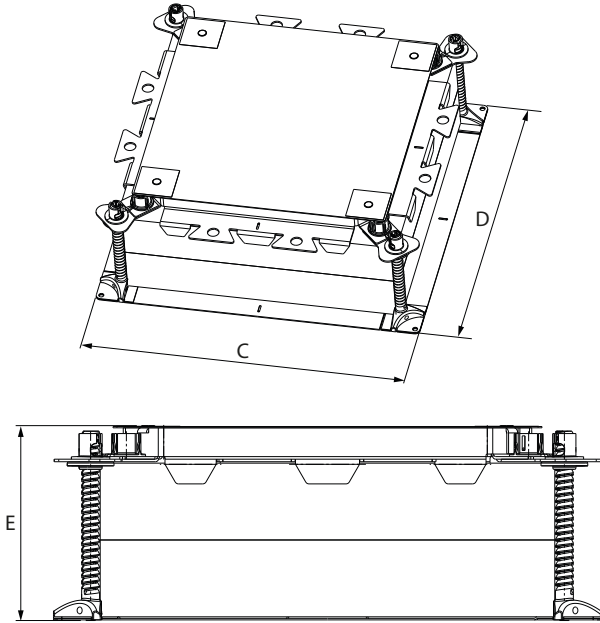
Allows the elevation of auto-adjusting backboxes 088090/91/92 and enables precise leveling by independently adjusting the four corners.



Cat. no	Dimensions (mm)			
	C	D	H mini	H maxi
0 807 55	120	60.5	15	110

3. DIMENSIONS (cont)

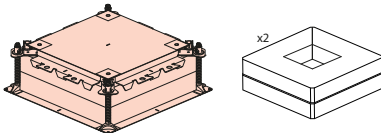
3.7 Universal adjustable backbox



Universal adjustable backbox cat. nos	Dimensions (mm)		
	C	D	E
0 880 80*	428	428	152

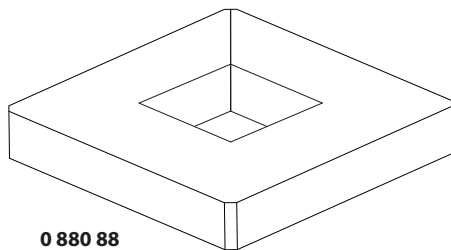
* supplied with 2 foam blocks inside

0 880 80 =

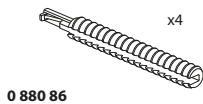


3.7.1 Extra foam blocks cat. no 0 880 88 and kit of 4 height extension feet for universal adjustable backbox

Number of foam blocks necessary when screed height (H) is inferior to 125 mm



0 880 88



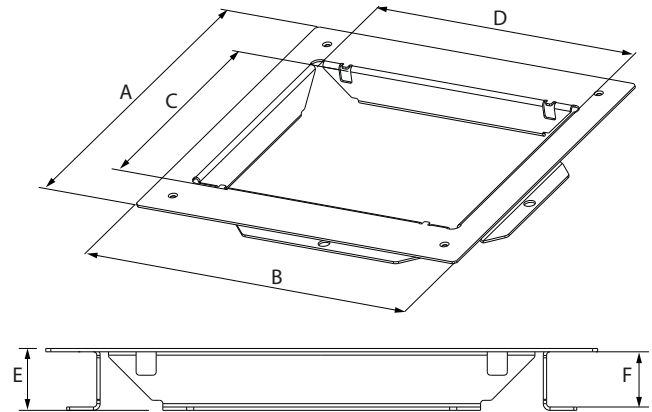
0 880 86

3. DIMENSIONS (cont)

3.7.2 Mounting adaptors for universal backbox

for mounting on universal adjustable back box cat. no 0 880 80

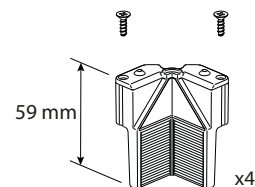
Mounting adaptors cat. nos	Modules capacity	for floor boxes & access covers cat. nos
0 880 81	8/12	0 807 09/12/15/27/30/33
0 880 82	12/18	0 807 10/13/16/28/31/34
0880 83	16/24	0 807 11/14/17/29/32/35



Mounting adaptors cat. nos	Dimensions (mm)					
	A	B	C	D	E	F
0 880 81	330	330	182	265	37	33
0 880 82			219			
0 880 83			265			

3.7.3 Fixing kit for universal backbox for thick floor finishing cat. no 0 80752

Kit consisting of 4 pieces with 8 fixing screws included

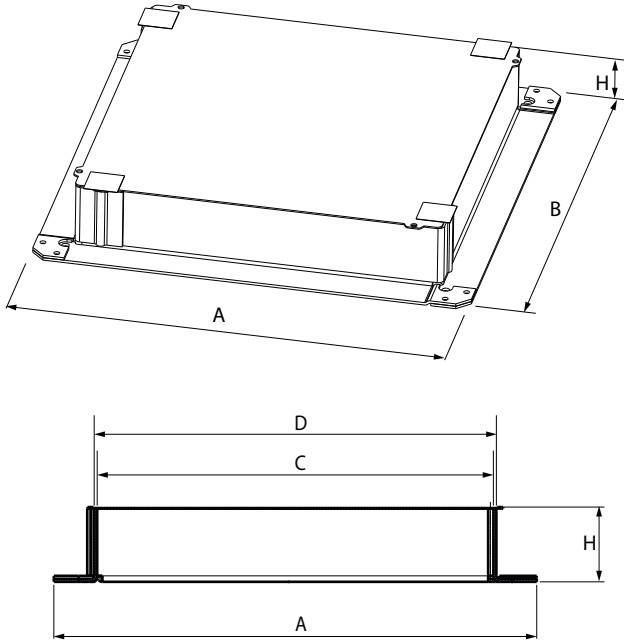


Allows the fixing and adjustment of the floor box frame into the mounting adaptor of the universal backbox cat. no 0 880 80 when the floor covering thickness is between from 2 mm to 22 mm.

3. DIMENSIONS (cont.)

3.7.4 Finishing kit for waxed concrete or polished concrete cat. no 0 880 85 for universal backboxes

Fit only on **frame and lid floor boxes large size 286x286 mm cat. nos 0 807 11/14/29/32** and on **access covers cat. nos 0 807 17/35**



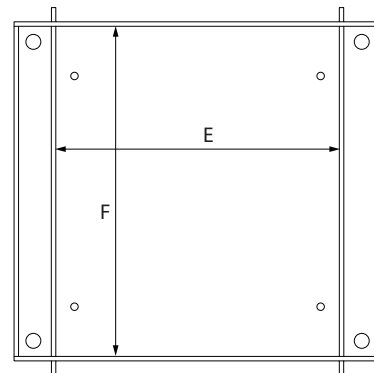
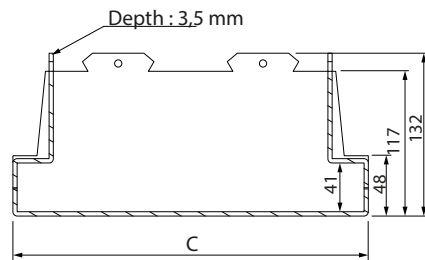
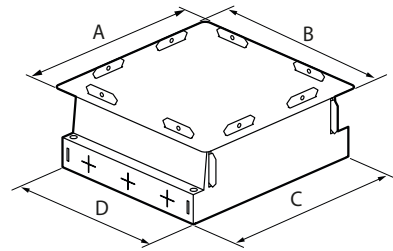
Finishing kit for waxed or polished concrete cat. no	Dimensions (mm)				
	A	B	C	D	H
0 880 85	323	323	265	269	50

Allows the creation of a 50 mm thick waxed concrete or polished concrete screed.

3. DIMENSIONS (cont.)

■ 3.8 Foldable backboxes to assemble before installation

Foldable backboxes cat. nos	Modules capacity	for frame and lid floor boxes cat. nos
0 881 90	8/12	0 807 09/12/15/27/30/33
0 881 91	12/18	0 807 10/13/16/28/31/34/
0 881 92	16/24	0 807 11/14/17/29/32/35



Foldable backboxes cat. nos	Dimensions (mm)					
	A	B	C	D	E	F
0 881 90	237	312	257	272	190	265
0 881 91	275		295		228	
0 881 92	320		340		273	

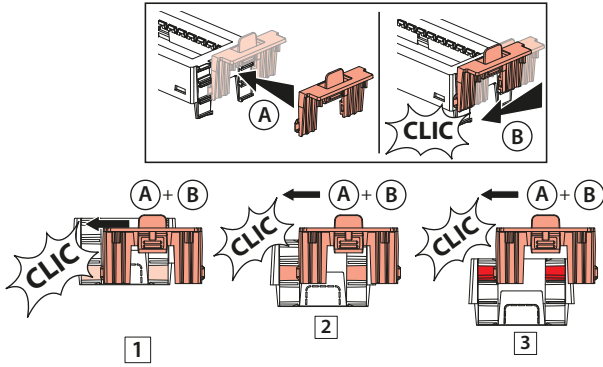
Can be used:

- into existing screed: renovation
- on concrete slab (before screed pouring)

4. INSTALLATION

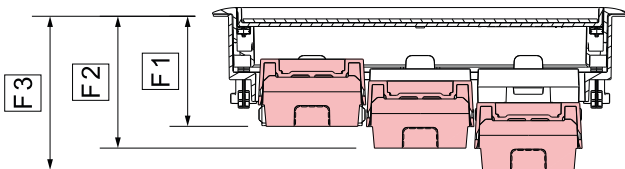
4.1 Wiring devices support for sockets in horizontal position

4.1.1 Height adjustment: 3 positions



4.1.2 Minimum screed height according to the wiring devices support position

F1	76 mm
F2	91 mm
F3	106 mm



4.1.3 Restrictions depending on the wiring devices

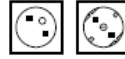
Depending on the type of plugs used, the position of the wiring device support must be adjusted to ensure the lid can be closed properly (see table below for restrictions)

Angled plug	1	2	3
Straight plug	✗	2	3
RJ45 plug	✗	2	3
HDMI plug	✗	✗	3
Fiber optic plug	✗	✗	3

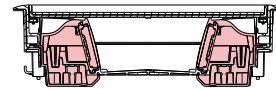
4. INSTALLATION (cont.)

4.2 Wiring devices support for sockets in vertical position

In order to connect all types of user plugs (straight and angled) and to be able to close correctly the lid, we advise to use 2 P+E sockets, 45° inclined version with upward earth pin, as below :



4.2.1. Restrictions depending on the wiring devices

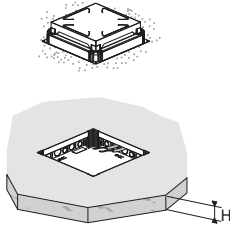


Angled plug	OK
Straight plug	OK
RJ45 plug	OK
HDMI plug	OK
Fiber optic plug	OK

4. INSTALLATION (cont.)

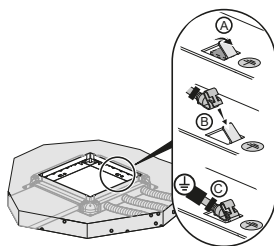
4.3 Installation with auto-adjusting backboxes cat. nos 0 880 90/91/92

4.3.1 Technical details about auto-adjusting backboxes

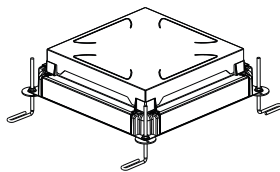


Concrete screed height H : 65- 90 mm

4.3.1.1 Earth link of the backbox



4.3.1.2 Installation of the fixing kit for elevating and leveling of the auto-adjusting backbox cat. no. 0 80755

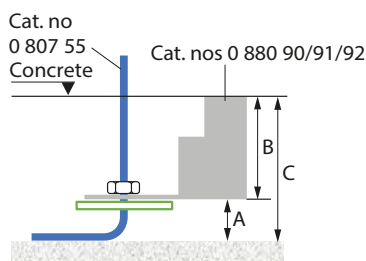


The backbox can be raised and it is possible to level each corner of the backbox independently using the fixing kit for elevating and levelling cat. no 0 807 55.

Recommendation: Use screws with a diameter of 5 to 6 mm to fix this accessory to the floor.

Concrete height H with reference 0 807 55: 105 – 200 mm

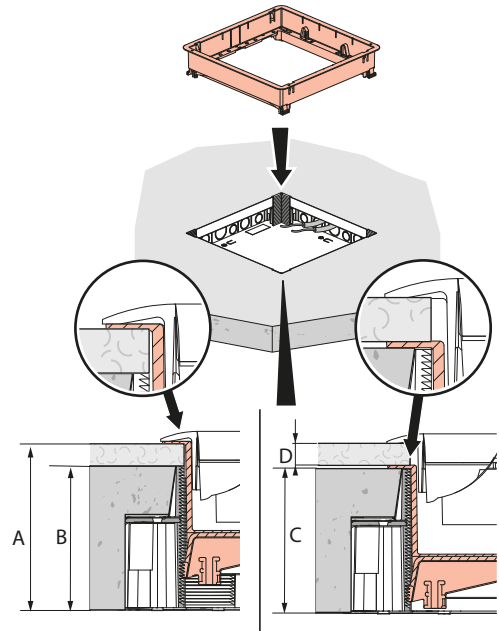
Warning: The depth of the backbox remains limited to 90 mm since the backbox has a bottom.



Height adjustment	A (mm)	B (mm)	C (mm)
Elevating & leveling	15 mini	90	105 - 200

4. INSTALLATION (cont.)

4.3.2 Installation of the floor box frame before or after the floor finishing



Cat. nos	Dimensions (mm)			
	A	B	C	D
0 807 09/10/11/27/28/29	77 (1) - 115	65 - 90	77 (2) - 90	10 max
0 807 12/13/14/30/31/32	69 - 115		69 - 90	
0 807 15/16/17/33/34/35	65 - 115		65 - 90	

- (1)
- 77 mm minimum for position 1 of wiring device support (see page 9)
 - 92 mm minimum for position 2 of wiring device support (see page 9)
 - 107 mm minimum for position 3 of wiring device support (see page 9)

- (2)
- 77 mm minimum for position 1 of wiring device support (see page 9)
 - Positions 2 & 3 of wiring devices support impossible (see page 9)

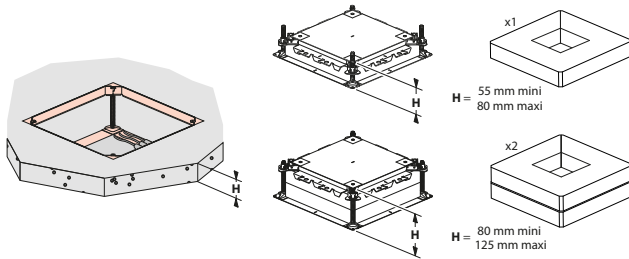
4. INSTALLATION (cont.)

4.4 Installation with universal backbox cat. no 0 880 80

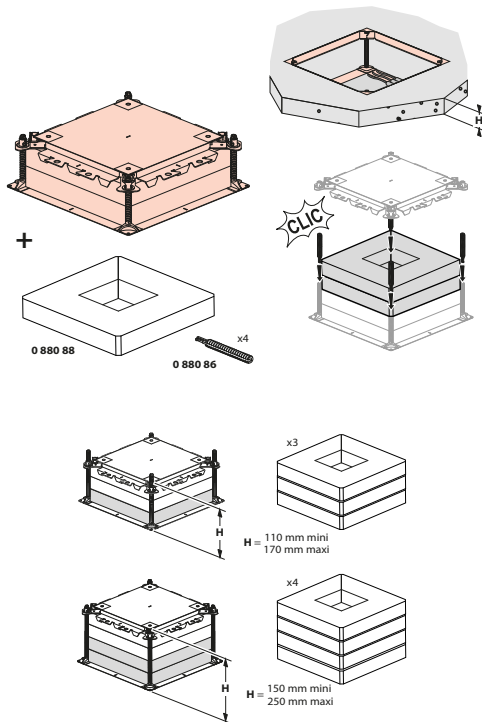
4.4.1 Technical details about universal backbox

Adjust the number of foam blocks according to the desired screed thickness (H).

Cat. no 0 880 80: supplied with 2 foam blocks.



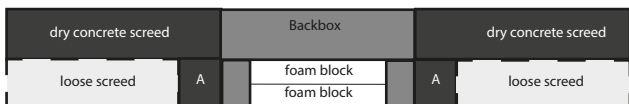
For a concrete screed height greater than 125 mm, use the extension foot kit (set of 4) cat. no 0 880 86 and 1 to 2 foam blocks cat. no 0 880 88.



Special case concrete poured over loose screed:

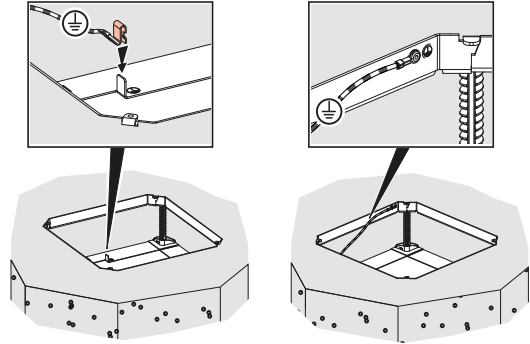
In the case of installation with pouring over gravel (loose screed), a dry concrete screed must be made around the foam (area A – see diagram below).

This precaution helps prevent gravel from entering the wiring area when the foam blocks are removed after the concrete has been poured.



4. INSTALLATION (cont.)

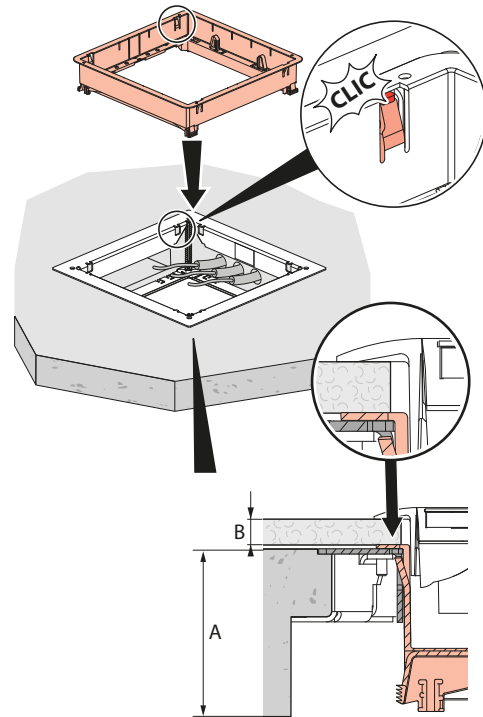
Earth link of the backbox.



4.4.2 Installation of backboxes with mounting adaptors cat. nos 0880 81/82/83 for universal backbox

4.4.2.1 If the floor box frame is installed before the floor finish

The frame clips onto the mounting adaptors cat. nos. 0 880 81/82/83.



Cat. nos	Dimensions (mm)	
	A	B
0 807 09/10/11/27/28/29	76 (1) -125 (2)	10 max
0 807 12/13/14/30/31/32	68 - 125 (2)	
0 807 15/16/17/33/34/35	64 - 125 (2)	

- (1)
 - 76 mm minimum for position 1 of wiring device support (see page 9)
 - 91 mm minimum for position 2 of wiring device support (see page 9)
 - 106 mm minimum for position 3 of wiring device support (see page 9)

- (2)
 - up to 250 mm with the kit of 4 height extension feet cat. no 0 880 86 & 2 foam blocks cat. no 0 880 88

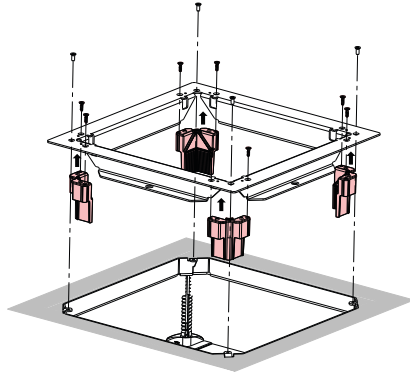
Frame and lid floor boxes for concrete floor

Cat. No(s): 0 807 09 to 17 - 0 807 27 to 35/52/55 - 0 880 15 to 17 - 0 880 45 to 47 - 0 880 80/81/82/83/85/86/88/90/91/92/98/99 - 0881 90/91/92 - 981350/351/358 - 981366 to 378

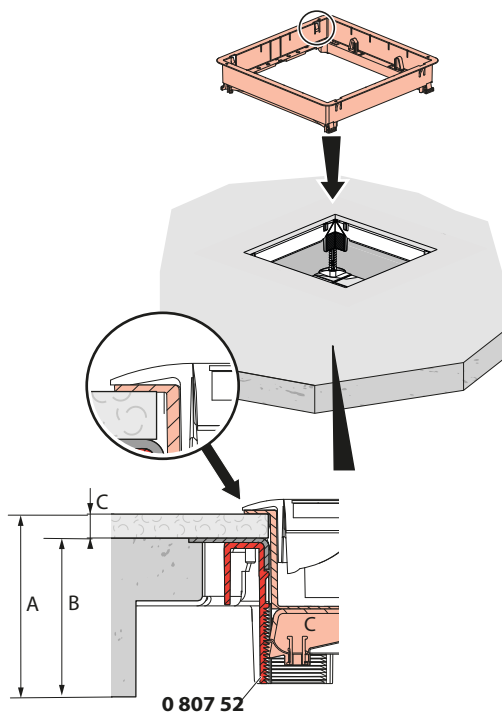
4. INSTALLATION (cont.)

4.4.2.2 If the floor box frame is installed after the floor finish

It is necessary to use the cat. no 0 80752 designed to be mounted on mounting adaptors cat. nos 0 880 81/82/83



Installed by screwing it onto the four corners of mounting adaptors cat. nos 0 880 81/82/83.



Cat. nos	Dimensions (mm)		
	A mini	B	C
0 807 09/10/11/27/28/29	76 (1)	61 - 125 (2)	2 - 22
0 807 12/13/14/30/31/32	68		
0 807 15/16/17/33/34/35	64		

- (1)
 - 76 mm minimum for position 1 of wiring device support (see page 9)
 - 91 mm minimum for position 2 of wiring device support (see page 9)
 - 106 mm minimum for position 3 of wiring device support (see page 9)
- (2)
 up to 250 mm with the kit of 4 height extension feets cat. no 0 880 86 & 2 foam blocks cat. no 0 880 88

4. INSTALLATION (cont.)

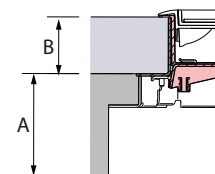
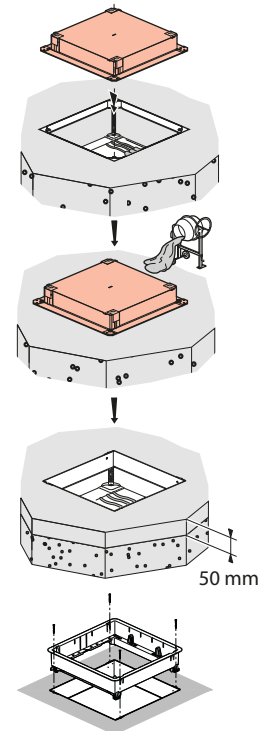
4.4.3 Floor boxes installation with finishing kit for waxed or polished concrete cat. no. 0 880 85 for universal backbox

Install the waxed or polished concrete finishing kit (cat. no 0 880 85) onto the universal backbox.

Pour the finishing layer (height: 50 mm).

Remove the upper protective plate and use the screws to install the floor box frame onto the waxed or polished concrete finishing kit.

This accessory 0 880 85 is to be used exclusively with floor boxes cat. nos 0 807 11/14/29/32 & access covers cat. nos 0 807 17/35.



Cat. nos	A (mm)	B (mm)
0 807 09/10/11/27/28/29	55 - 125 (1)	50
0 807 12/13/14/30/31/32		
0 807 15/16/17/33/34/35		

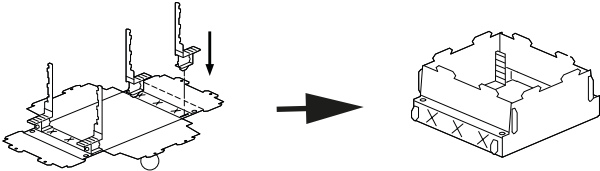
- (1) up to 250 mm with the kit of 4 height extension feets cat. no 0 880 86 & 2 foam blocks cat. no 0 880 88

4. INSTALLATION (cont.)

■ 4.5 Installation with foldable backboxes cat. nos 0 88190/91/92

4.5.1 Technical details about foldable backbox

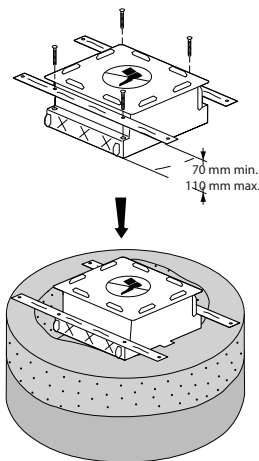
4.5.1.1 Backbox assembly



Clips the 4 rigid plastic parts into the dedicated locations then fold and assemble the back box

4.5.1.2 Installation into existing screed (renovation)

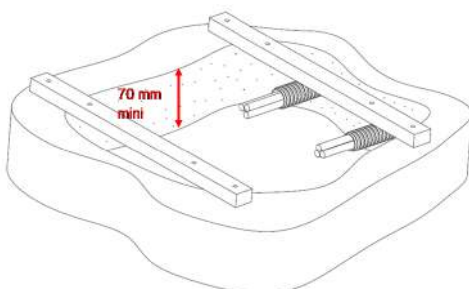
In an existing screed in which one wishes to install a floor box (or to replace an old one), this mode of installation is ideal because it allows a reliable leveling, independent of the depth of the hole realized.



After having broken the concrete in the desired area, the back box can be installed from above (resting on the existing screed by means of 2 sleepers, not provided).

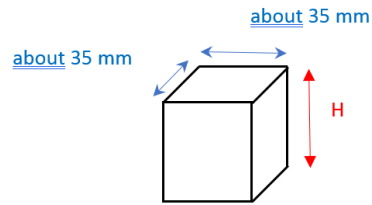
Detailed description of this installation mode :

a) The hole must be of sufficient size to be able to receive the back box. Its depth must be at all points at least 70mm. Prepare 2 cleats (not supplied, preferably wood) of much greater length than the hole (these cleats will serve to suspend the back box from the above and will not have to bend during the operation).



4. INSTALLATION (cont.)

b) Prepare 4 cubes (not provided, preferably of wood) which will be used to fix the cleats and the back box. The dimensions of these cubes are as follow:

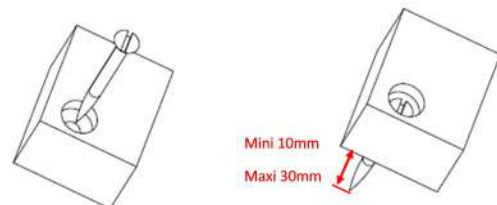


The height H of the cube depends on the depth to which the back box will be installed. Determine it according to the following table :

Depth of the hole	Height "H" of the cubes
MINI 70 mm	25 mm
80 mm	35 mm
90 mm	45 mm
100 mm	55 mm
110 mm	65 mm MAXI
> 110 mm	

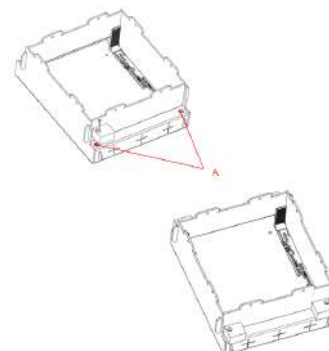
c) Preparation of the cubes:

- Drill each cube in one of its angles with a diameter of 5mm. Then, in order to pass thereafter the future fixing screws of the cubes to the back box (4 M5 screws not supplied):
- Drill again in the same place with a larger diameter (enough to pass the head of your M5 screw) and to a sufficient depth (**be careful, not on the entire height H of the cube!**) so that the head of your screw can be in support and that its threaded shaft exceeds the cube of a minimum length of 10mm and maximum of 30mm.



d) Insert your 4 fixing screws into your 4 cubes

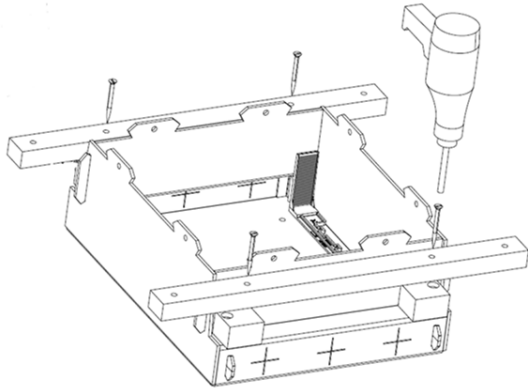
e) Fix these 4 cubes to the 4 outside corners of the back box by screwing their M5 fixing screws into the slots (A) provided for this purpose



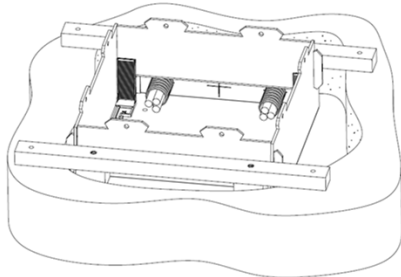
Cubes screwed to the 4 corners of the box

4. INSTALLATION (cont.)

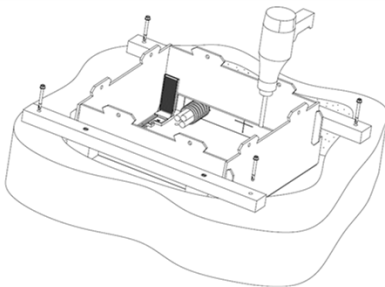
f) Using 4 screws not supplied, fix the 2 cleats to the cubes so that once fixed they could correctly be placed on the existing concrete screed



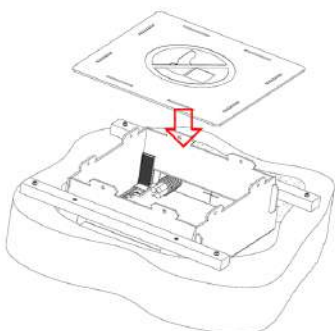
g) Pass the ducts and cables in the entries of the back box provided for this purpose and position it in the hole in support on the cleats



h) Using 4 concrete screws (not supplied), attach the cleats to your existing floor (so that the back box is locked in the desired location)

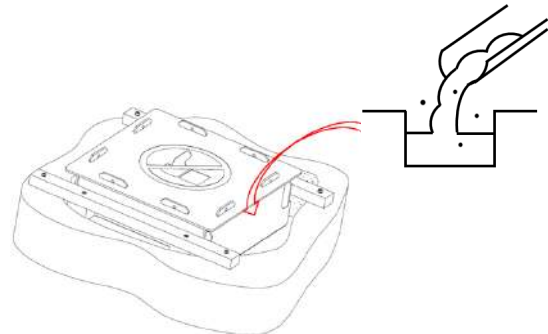


i) Position the cover on the back box



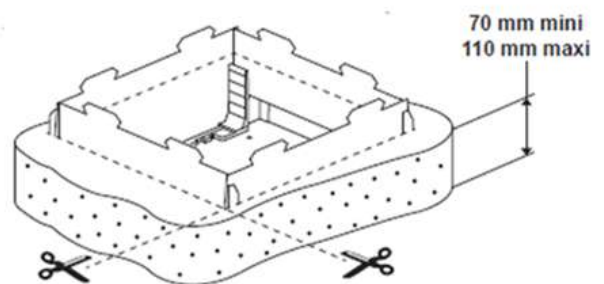
4. INSTALLATION (cont.)

j) Pour some concrete into the hole all around the back box

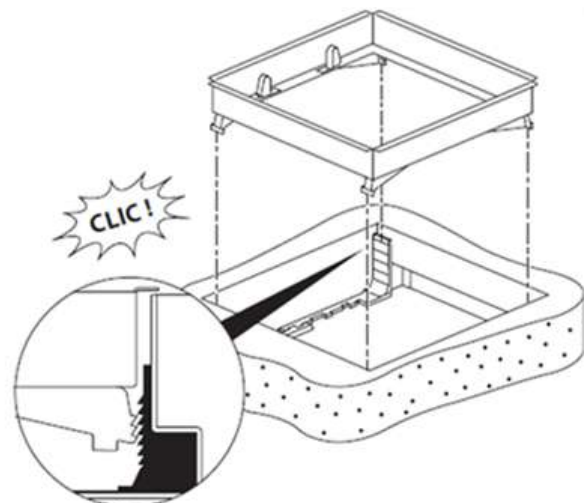


k) Once the concrete is dry, remove the cleats (but not the cubes). If necessary make a patch to fill any holes around the cubes

l) Cut off the part that exceeds once concrete is dry

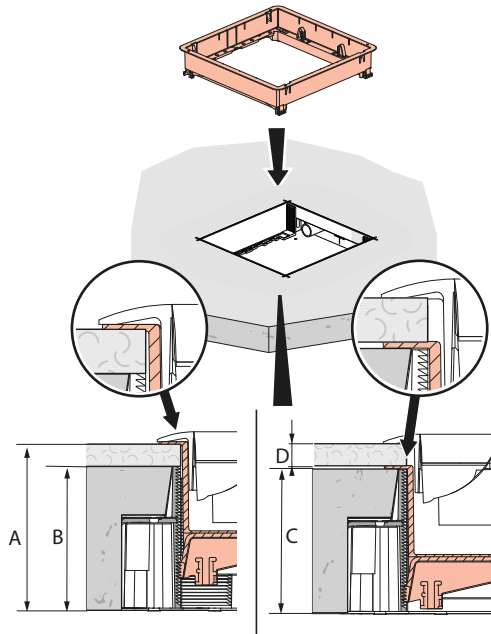


m) **Do not take off the 4 rigid plastic parts** in the corners of the back box because they are useful to clip the Standard version floor box



4. INSTALLATION (cont.)

4.5.2 Floor box frame installation before or after the floor finishing





Cat. nos	Dimensions (mm)			
	A mini	B	C	D
0 807 09/10/11/27/28/29	80 (1) - 120	70-110	80 (1) - 110	10 max
0 807 12/13/14/30/31/32	72 - 120		72 - 110	
0 807 15/16/17/33/34/35	72 - 120		72 - 110	

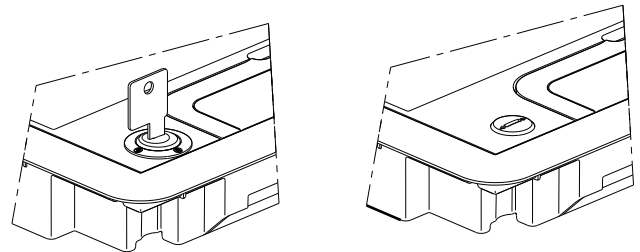
- (1)
- 80 mm minimum for position 1 of wiring device support (see page 9)
 - 95 mm minimum for position 2 of wiring device support (see page 9)
 - 110 mm minimum for position 3 of wiring device support (see page 9)

5. ACCESSORIES

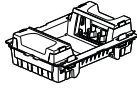


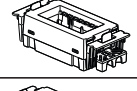
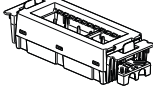
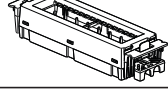
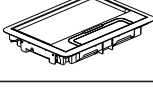
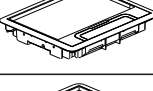
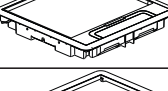
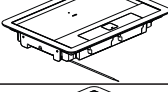
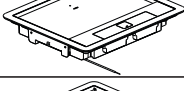
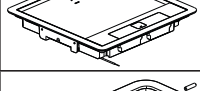
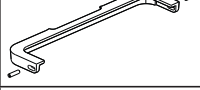
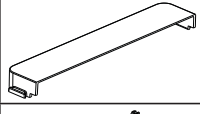

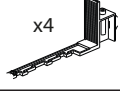
Locking system cat. nos 0 80098/99

for		
	with key	without key
plastic floor boxes *	0 880 98	0 880 99
metal floor boxes	on demand	

*requires drilling the cover at the indicated location



6. SPARE PARTS

Description	Capacity	Spare parts cat. nos		for floor boxes cat. nos
Wiring devices supports for sockets in vertical position	8 modules	981369		0 807 12/30
	12 modules	981370		0 807 13/31
	16 modules	981371		0 807 14/32
Wiring devices supports for sockets in horizontal position	4 modules	981366		0 807 09/27
	6 modules	981367		0 807 10/28
	8 modules	981368		0 807 11/29
Plastic lid	286 x 203 mm	981372		0 807 09/12/15
	286 x 241 mm	981373		0 807 10/13/16
	286 x 286 mm	981374		0 807 11/14/17
Metal lid	286 x 203 mm	981376		0 807 27/30/33
	286 x 241 mm	981377		0 807 28/31/34
	286 x 286 mm	981378		0 807 29/32/35
Handle		981350		0 80709 to 17
Cable outlet		981351		0 80709 to 17
4 plastic screws & nuts for height adjustment for universal backbox		981375		0 880 80
4 fixation supports for foldable backbox		981358		0 881 90/91/92

7. GENERAL CHARACTERISTICS

7.1 Mechanical characteristics

Protection to:

IP30 with the cover closed
IP20 with the cover opened

Resistance to impacts: IK08 with the cover closed

Self-extinguishing: + 650°C/30s for parts made of insulating materials according to EN60095-2-11
The inlets of conduits or cables are pre-cutting for an easier installation.

Classification floor boxes according to the IEC 60670-1 et IEC 60670-23 standard:

7.1 The nature of material	Composite
7.2 The type of installation	Flush or semi-flush in hollow walls, hollow ceilings, hollow floors
7.2.1.2	Suitable for installation into concrete with a maximum temperature during the casting process of +60 °C
7.3 The type (s) of inlets	Without inlets. Inlet openings will be made during installation
7.4 The clamping means	Without clamping means
7.5 The minimum temperature during installation and use	- 5 °C
7.6 The degree of protection against harmful effects due to the ingress of solid foreign objects	IP30 lid closed
7.7 The degree of protection against harmful effects due to the ingress of water	IPX0
7.9 The provision for fixing accessories to boxes	Boxes intended to receive other means
7.101 The type of lid	Enclosure with a removable lid
7.102 According to floor treatment	Floor boxes or enclosures intended to be installed in floor subjected to dry treatment

Resistance to a vertical load of 500N applied to a surface of 1 cm² according to IEC Standard 60670-23.

Maximum vertical load Resistance

Frame & lid floor boxes for concrete floor	Cat. nos	small surface (1 cm ²)	large surface (Ø 130 mm)
plastic	0 807 09 to 17	1000 N	3000 N
metal	0 807 27 to 35	1500 N	4000 N

Safety : Check that the system is earthed for cat. nos of frame and lid floor boxes and access covers with metal cover (0 807 27 to 0 807 35)

7. GENERAL CHARACTERISTICS (cont.)

7.2 Material characteristics

for floor boxes

. Plastic materials:

- PC RAL 7016 (frame & internal parts)
- ABS grey RAL 7031 (lid)
- ABS RAL 7016 (internal parts)
- TPEE (élastomère)
- PA 6 glass fibers
- PA 66 glass fibers

. Metallic materials:

- Galvanized steel (Z140)
- Stainless steel
- Galvanized steel (Z275)

for backboxes

. Plastic materials:

- ABS
- Honeycomb PP
- PU

. Metallic materials:

- Galvanized steel (Z140)

8. CARE

Superficial cleaning with a cloth. Do not use abrasive products or detergents.

Caution:

Always test before using other special cleaning products.

9. STANDARDS & APPROVALS

Compliant with CEI 60670-1 & CEI 60670-23 standards.
See e. catalogue.