



Baseline product line

## MotionProtect Plus Jeweller

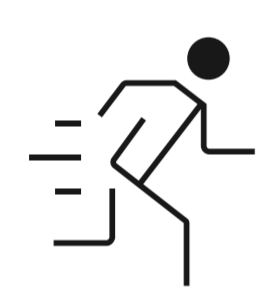
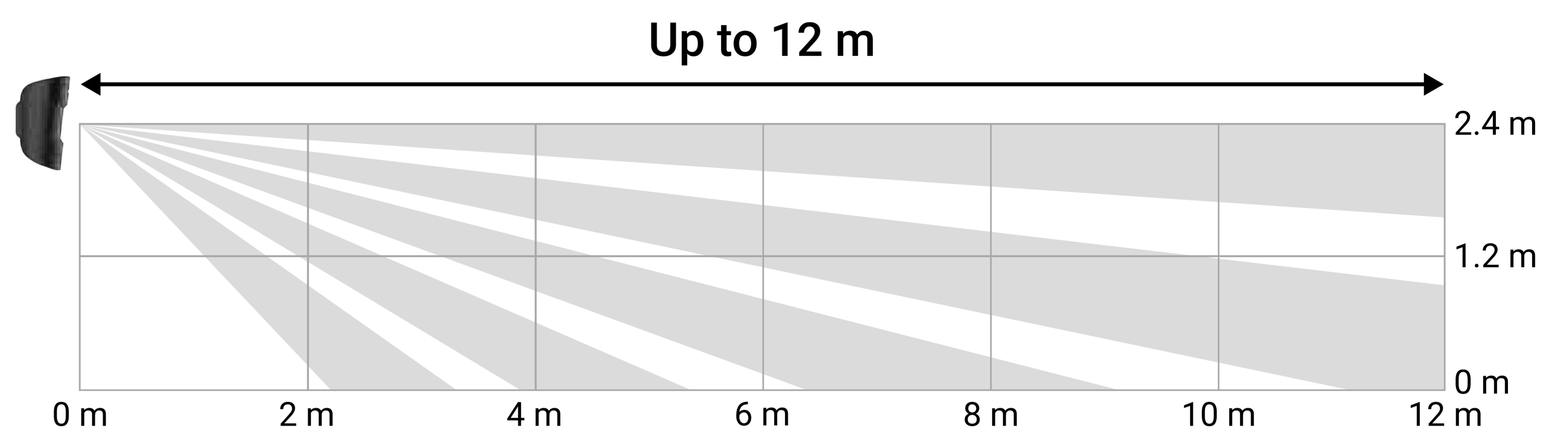
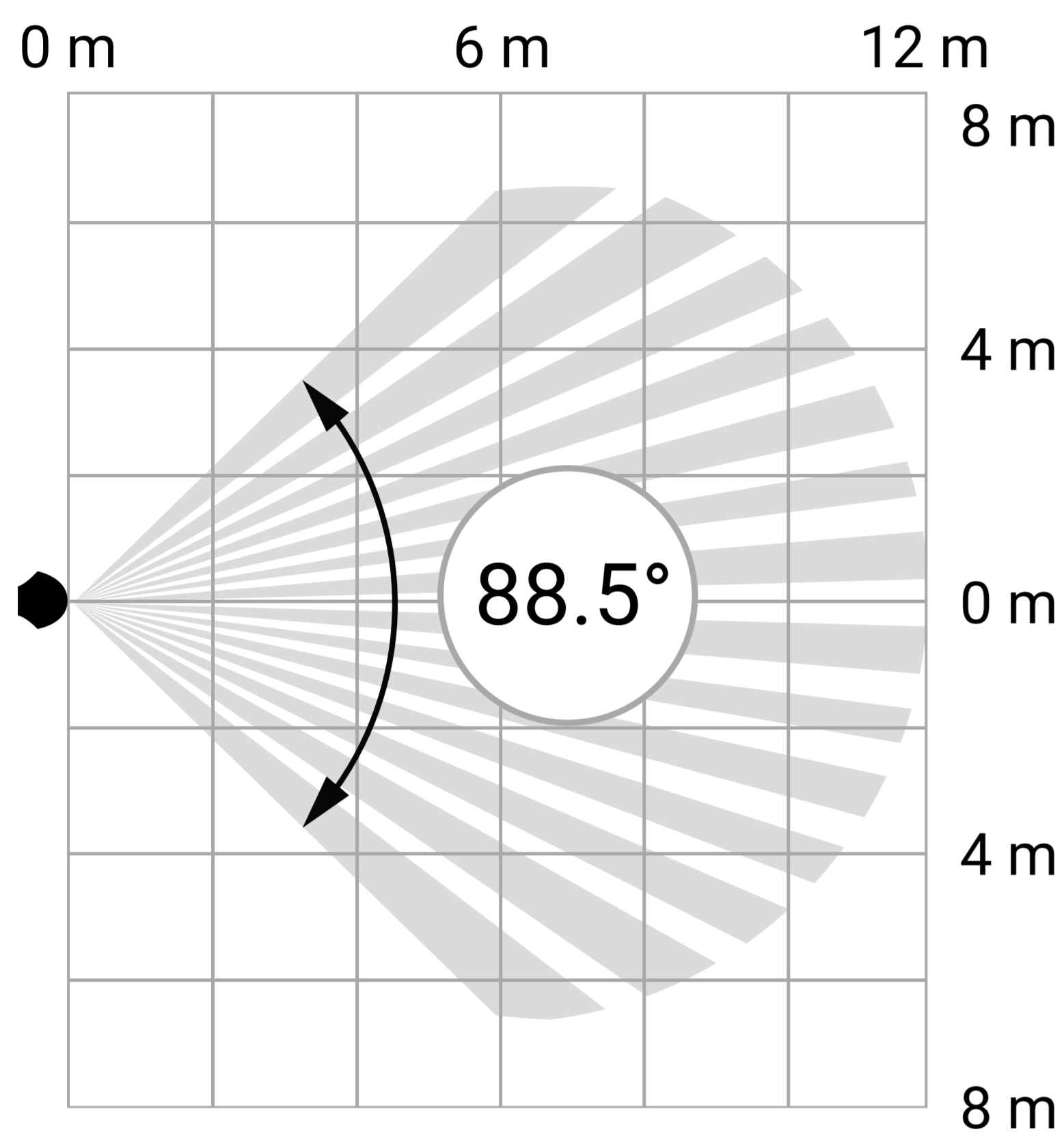
Wireless IR motion detector with an additional K-band microwave sensor



2  
GRADE  
EN 50131

PD 6662  
2017

UL®  
LISTED



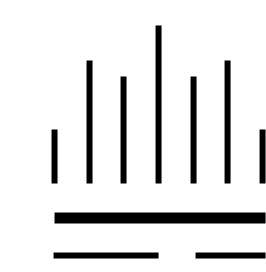
### Enhanced motion detection

- The detector has 2 built-in sensors: PIR and K-band
- Motion detection distance of up to 12 m
- Horizontal motion detection angle: 88.5°
- Temperature compensation for motion detection at any operating temperature



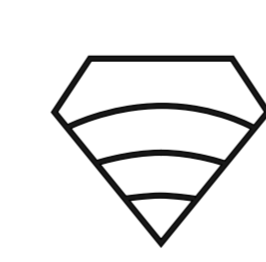
### Sabotage resistance

- Tamper alarm
- Device authentication to prevent spoofing



### False alarms prevention

- Dual technology: verification of PIR sensor alarms with a microwave sensor
- Three sensitivity levels: selectable in the app
- SmartDetect algorithm to prevent false alarms
- Pet immunity: pets with a height of up to 50 cm and a weight<sup>1</sup> of up to 20 kg

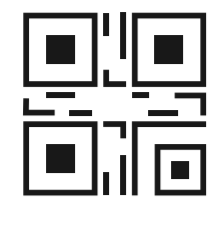


### Jeweller

communication technology

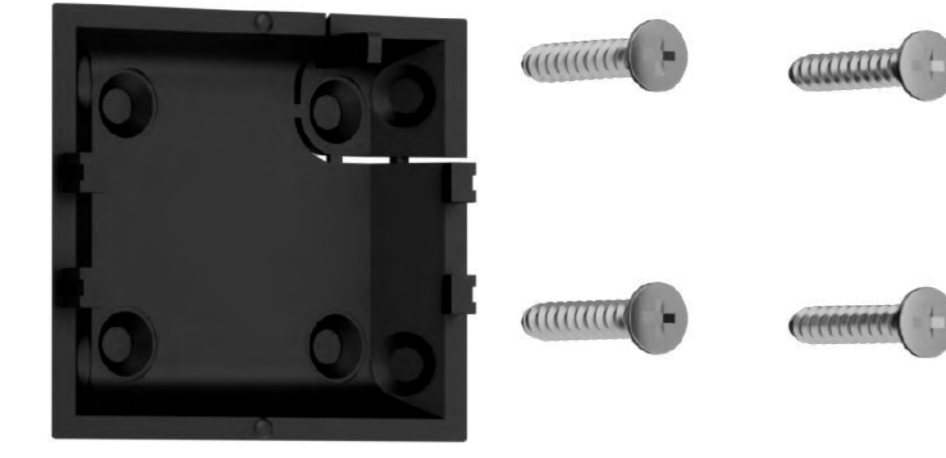
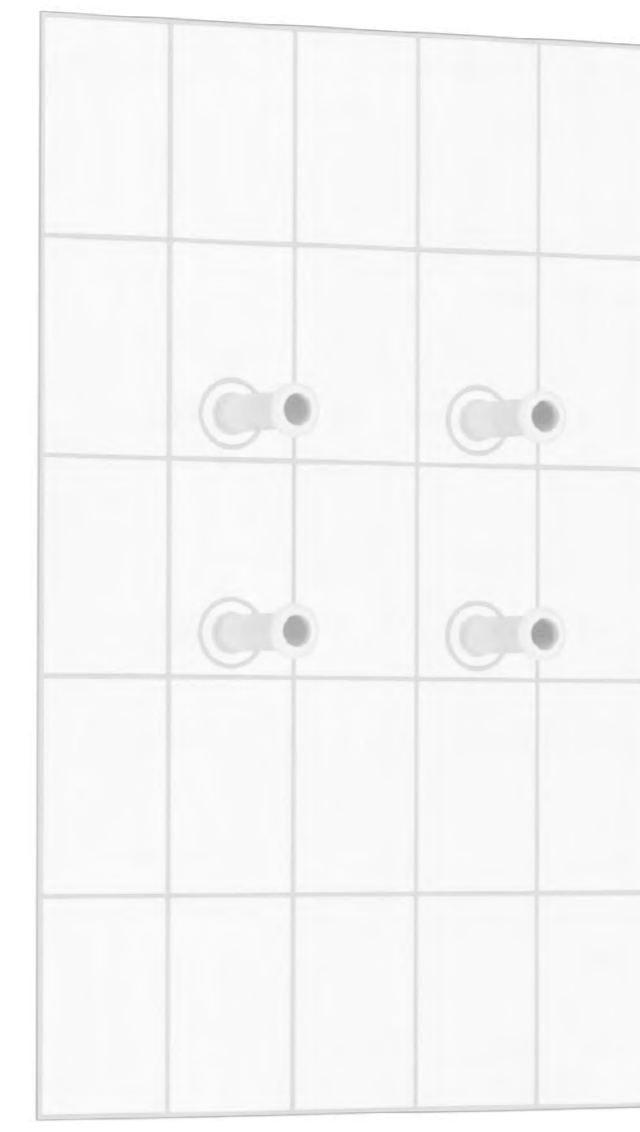
- Up to 1,200 m of radio communication in an open space
- Data is encrypted throughout the transmission process
- Regular polling to display current device states
- Jamming detection and frequency hopping

<sup>1</sup>With proper installation and configuration.



## Effortless installation, maintenance, and configuration

- Pairing with a hub via QR code
- Remote control and configuration in mobile and desktop apps
- Up to 5 years of operation with pre-installed batteries
- Installation and replacement without opening the enclosure



**Superior, Fibra, and Baseline** product lines are mutually compatible. This opens up numerous possibilities for building systems of any configuration.

<p><b>Compliance with standards</b></p> <p>EN 50131 (Grade 2) PD 6662:2017 UL369, ULC S306</p>	<p><b>Communication with a hub</b></p> <p><b>Jeweller communication technology</b></p> <p><b>Communication range</b> up to 1,200 m In an open space</p> <p><b>Radio frequency band</b> 866.0–866.5 MHz 868.0–868.6 MHz 868.7–869.2 MHz 905.0–926.5 MHz 915.85–926.5 MHz 921.0–922.0 MHz Depends on the sales region</p>	<p><b>Detection</b></p> <p><b>Sensing elements</b> 1 × PIR sensor 1 × K-band microwave sensor</p> <p><b>Motion detection distance</b> up to 12 m When installed at a height of 2.4 meters</p> <p><b>Horizontal detection angle</b> 88.5°</p> <p><b>Motion detection speed</b> from 0.3 to 2.0 m/s The direction of the detector lens should be perpendicular to an alleged intrusion path into the facility.</p> <p><b>Temperature compensation</b></p> <p><b>Sensitivity</b> 3 levels Adjusted by a PRO or a user with admin rights in the Ajax app</p> <p><b>Pet immunity</b> weight: up to 20 kg height: up to 50 cm</p>	
<p><b>Compatibility</b></p> <p><b>Hubs</b> Hub Jeweller Hub Plus Jeweller Hub 2 (2G) Jeweller Hub 2 (4G) Jeweller Hub 2 Plus Jeweller Hub Hybrid (2G) Hub Hybrid (4G)</p> <p><b>Range extenders</b> ReX Jeweller ReX 2 Jeweller</p>	<p><b>Enclosure</b></p> <p><b>Colour</b> white, black</p> <p><b>Dimensions</b> 110 × 65 × 50 mm</p> <p><b>Weight</b> 96 g</p>	<p><b>Installation</b></p> <p><b>Operating temperature range</b> from –10 °C to +40 °C</p> <p><b>Operating humidity</b> up to 75%</p> <p><b>Recommended installation height</b> 2.4 m</p>	<p><b>Complete set</b></p> <p>MotionProtect Plus Jeweller SmartBracket mounting panel 1 × CR123A battery (pre-installed) Installation kit Quick start guide</p>



For detailed information, scan the QR code or follow the link:

[ajax.systems/products/motionprotectplus/](https://ajax.systems/products/motionprotectplus/)

- ✉ support@ajax.systems
- 📍 @AjaxSystemsSupport\_Bot
- 🌐 ajax.systems